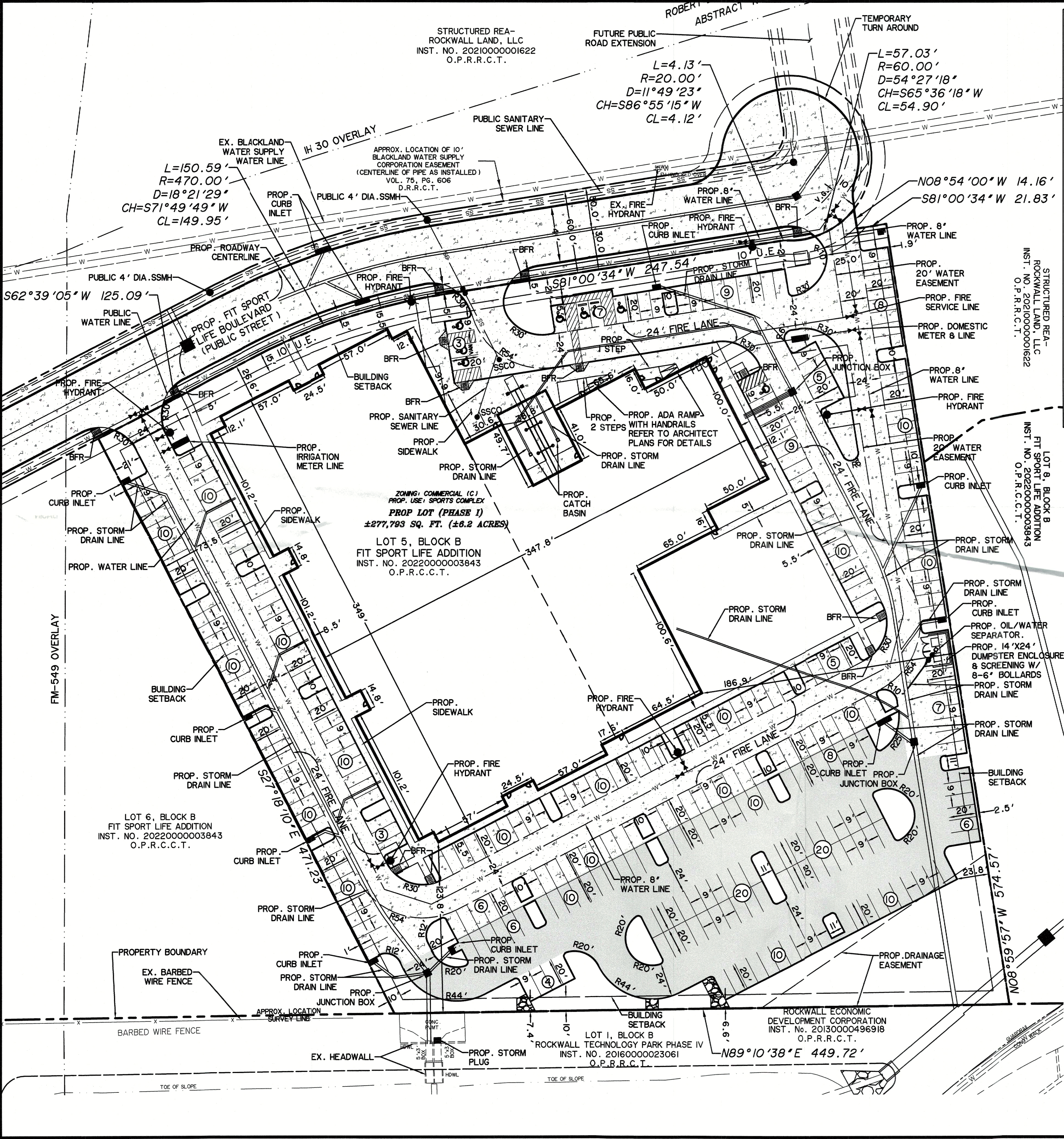
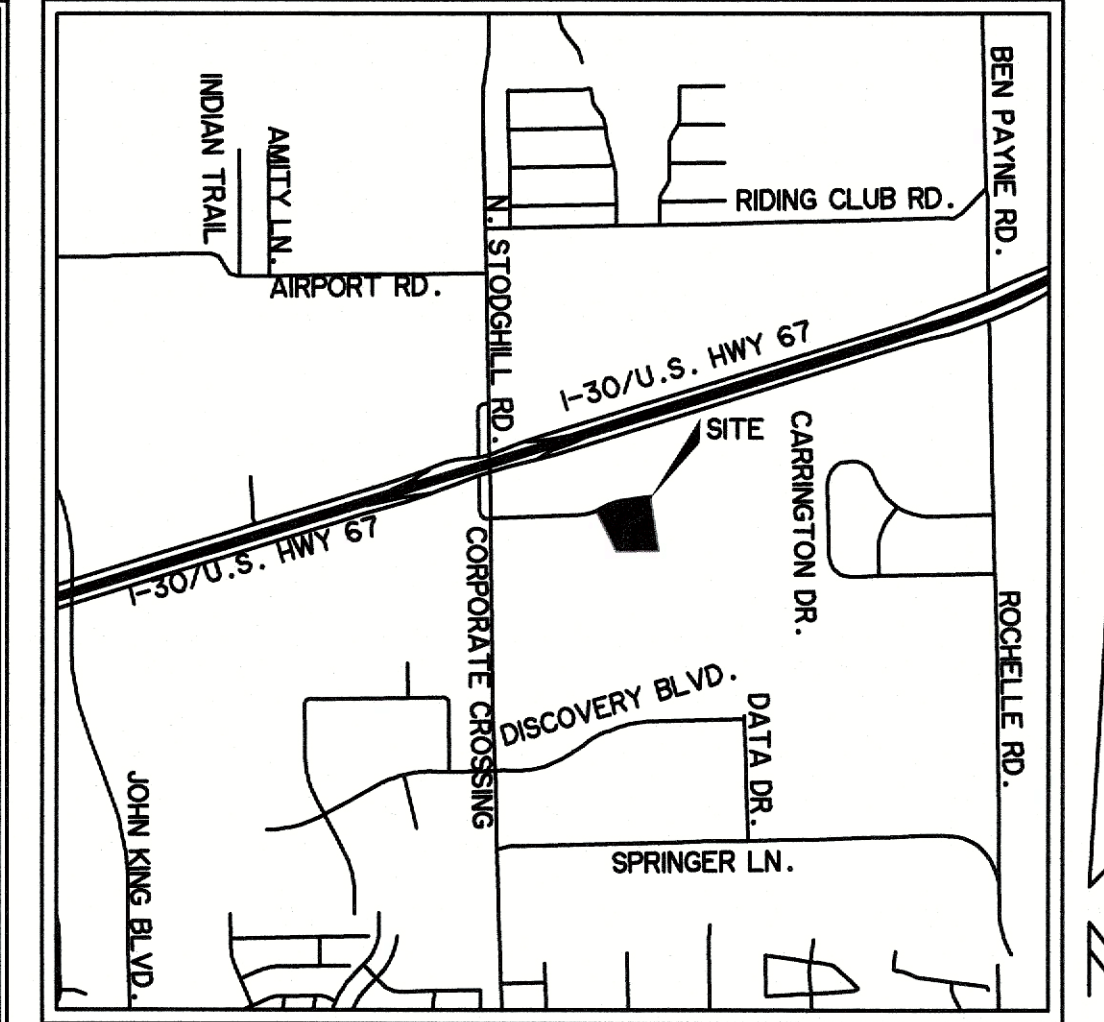


PRINTED: 7/15/2024 11:40 PM. STB FILE: WIER-PAVING-STB. LAST SAVED: 7/15/2024 11:40 PM. FILE: AMENDED-CITY SITE PLAN - 19144_05.DWG
 BAR IS ONE INCH ON ORIGINAL FULL-SIZE PRINT



SITE DATA SUMMARY																			
ZONING	COMMERCIAL (C)																		
TRACT INFO	LOT 5, BLOCK B FIT SPORT LIFE ADDITION INST. NO. 2022000003843 O.P.R.C.C.T.																		
PROP. LOT AREA	6.38 ACRES± (277,793 SQ. FT.±)																		
PROP. USE ON PROP. LOT PHASE I	SPORTS COMPLEX																		
PROPOSED BUILDING AREA	87,155 SF±																		
BUILDING COVERAGE	31.37%																		
BUILDING HEIGHT	1 STORY																		
MINIMUM REQUIRED PARKING	<table border="0"> <tr> <td>PUBLIC RECREATION CLUB:</td> <td>56</td> </tr> <tr> <td>1/250 SF (14,000 SF)</td> <td></td> </tr> <tr> <td>PUBLIC RECREATION CLUB:</td> <td>42</td> </tr> <tr> <td>3/GAME COURT</td> <td></td> </tr> <tr> <td>GYM:</td> <td>35</td> </tr> <tr> <td>1/200 SF (7,000 SF)</td> <td></td> </tr> <tr> <td>MEDICAL OFFICE:</td> <td>54</td> </tr> <tr> <td>1/200 SF (10,900 SF)</td> <td></td> </tr> <tr> <td>TOTAL</td> <td>187</td> </tr> </table>	PUBLIC RECREATION CLUB:	56	1/250 SF (14,000 SF)		PUBLIC RECREATION CLUB:	42	3/GAME COURT		GYM:	35	1/200 SF (7,000 SF)		MEDICAL OFFICE:	54	1/200 SF (10,900 SF)		TOTAL	187
PUBLIC RECREATION CLUB:	56																		
1/250 SF (14,000 SF)																			
PUBLIC RECREATION CLUB:	42																		
3/GAME COURT																			
GYM:	35																		
1/200 SF (7,000 SF)																			
MEDICAL OFFICE:	54																		
1/200 SF (10,900 SF)																			
TOTAL	187																		
MINIMUM REQUIRED HANDICAP ACCESSIBLE PARKING	8																		
TOTAL PARKING PROVIDED	<table border="0"> <tr> <td>STANDARD (9'x20')</td> <td>318</td> </tr> <tr> <td>HANDICAP-ACCESSIBLE</td> <td>8</td> </tr> <tr> <td>TOTAL</td> <td>326</td> </tr> </table>	STANDARD (9'x20')	318	HANDICAP-ACCESSIBLE	8	TOTAL	326												
STANDARD (9'x20')	318																		
HANDICAP-ACCESSIBLE	8																		
TOTAL	326																		



LEGEND

SSMH	EXISTING SANITARY SEWER MANHOLE
SSCO	EXISTING SANITARY SEWER CLEAN OUT
FH	EXISTING FIRE HYDRANT
WM	EXISTING WATER METER
WM	EXISTING WATER VAULT
—W—	EXISTING WATER LINE
—SS—	EXISTING SANITARY SEWER LINE
—W—	PROPOSED WATER LINE
—SS—	PROPOSED SANITARY SEWER LINE
—SD—	PROPOSED STORM DRAIN LINE
---	PHASE I PARCEL BOUNDARY
---	PROPERTY BOUNDARY
---	PROPOSED WATER EASEMENT
---	PROPOSED FIRE LANE
---	BUILDING SETBACK
BFR	BARRIER FREE RAMP
▨	EXIST. PAVEMENT
▨	PROP. PAVEMENT

NOTE:

- ALL DIMENSIONS ARE TO FACE OF CURB UNLESS OTHERWISE NOTED.
- ALL RADII WITHIN PROPERTY ARE 3' UNLESS SPECIFIED OTHERWISE.
- ALL PARKING AREAS AND FIRE LANES SHALL BE CONSTRUCTED OF CONCRETE.

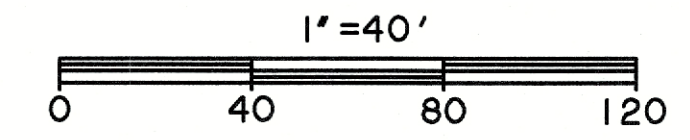
ONSITE PAVEMENT SHALL BE:

PARKING: 5' CONCRETE PAVEMENT
 DRIVE AISLE: 6' CONCRETE PAVEMENT
 FIRE LANE/ DUMPSTER: 7' CONCRETE PAVEMENT

- BUILDING IS PARALLEL & PERPENDICULAR TO WEST PROPERTY LINE.
- REFER TO ARCHITECTURAL PLANS FOR EXACT BUILDING DIMENSIONS.
- ALL FIRE HYDRANTS SHALL BE 5' FROM BACK OF CURB.
- ALL MECHANICAL EQUIPMENT SHALL BE LOCATED ON THE ROOF AND SCREENED AS PER UDC.

APPROVED: [Signature]
 I HEREBY certify that the above and foregoing site plan for development in the City of Rockwall, Texas, was approved by the Planning & Zoning Director on the 31 day of July 2024.

WITNES: [Signature]
 PLANNING DIRECTOR OF PLANNING & ZONING



PURPOSE OF AMENDED SITE PLAN IS TO EXPAND PARKING LOT TO ADD 100 NET PARKING STALLS ON-SITE AND TO DEDICATE AN ADDITIONAL ADA ACCESSIBLE PARKING STALL ON-SITE.

OWNER/DEVELOPER:
 STRUCTURED REA-ROCKWALL LAND, LLC
 3104 E. CAMELBACK ROAD, SUITE 2387
 PHOENIX, AZ 85016
 PHONE: (480) 856-8808
 CONTACT: CONOR KELTY

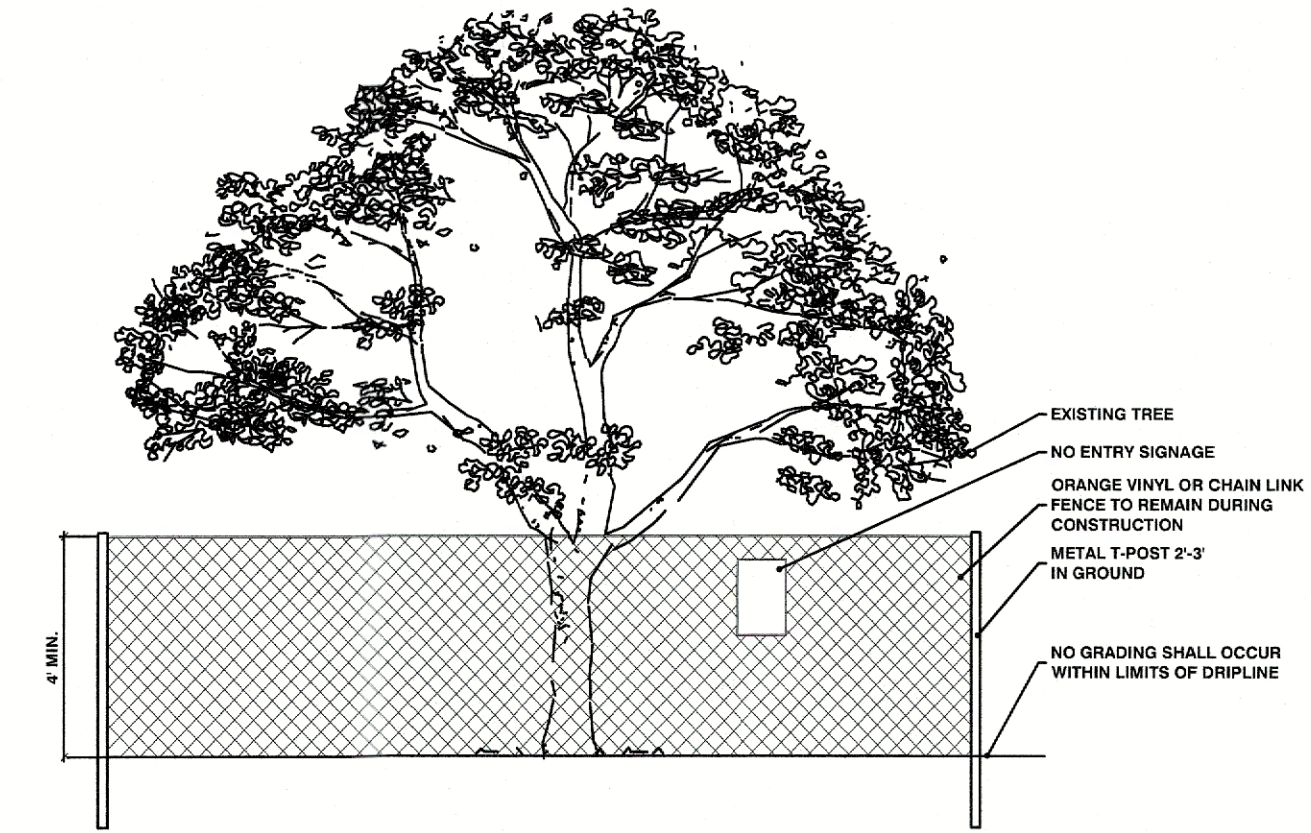
ENGINEER:
 WIER & ASSOCIATES, INC.
 2201 E. LAMAR BLVD., STE 200E
 ARLINGTON, TEXAS 76006
 PHONE: (817) 467-7700
 CONTACT: RENEE WARD, P.E.
 ReneeW@WierAssociates.com

PREPARED BY:
WIA WIER & ASSOCIATES, INC.
ENGINEERS SURVEYORS LAND PLANNERS
 2201 E. LAMAR BLVD., SUITE 200E ARLINGTON, TEXAS 76006 METRO (817)467-7700
 Texas Firm Registration No. F-2776 www.WierAssociates.com

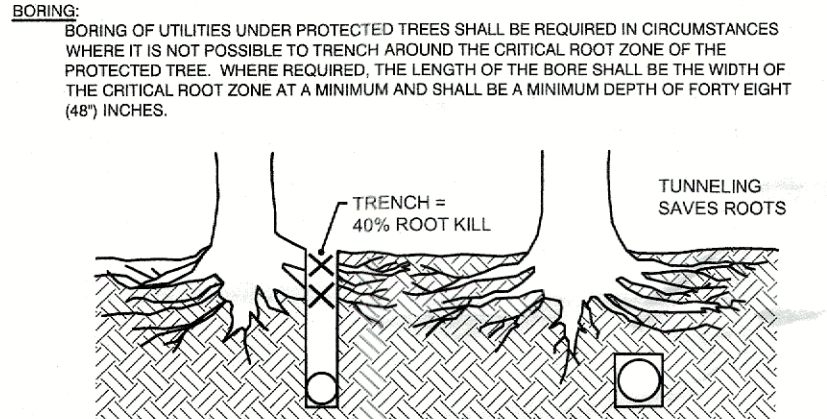
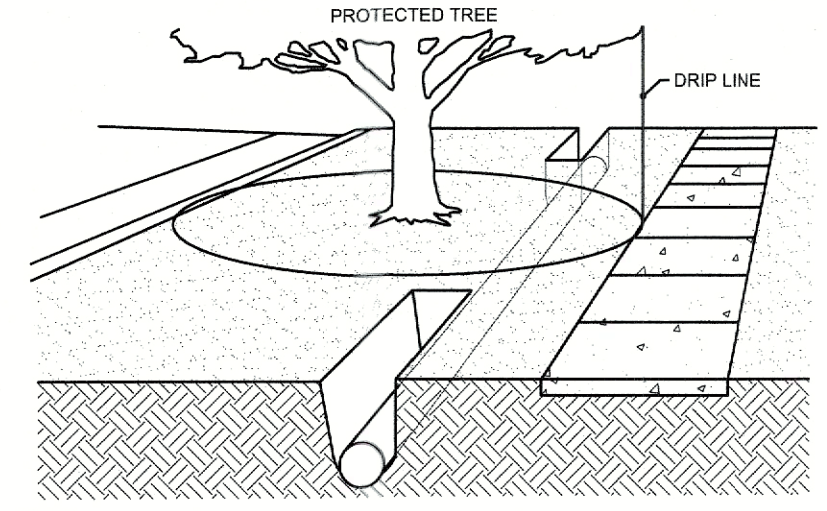
SP2024-034 SHEET 1 OF 1

PRELIMINARY PLANS FOR PROJECT REVIEW. NOT FOR CONSTRUCTION, BIDDING OR PERMIT PURPOSES. Prepared By/Or Under Direct Supervision Of Renee Ward, P.E. Texas Registration No. 140049 On Date Shown Below.

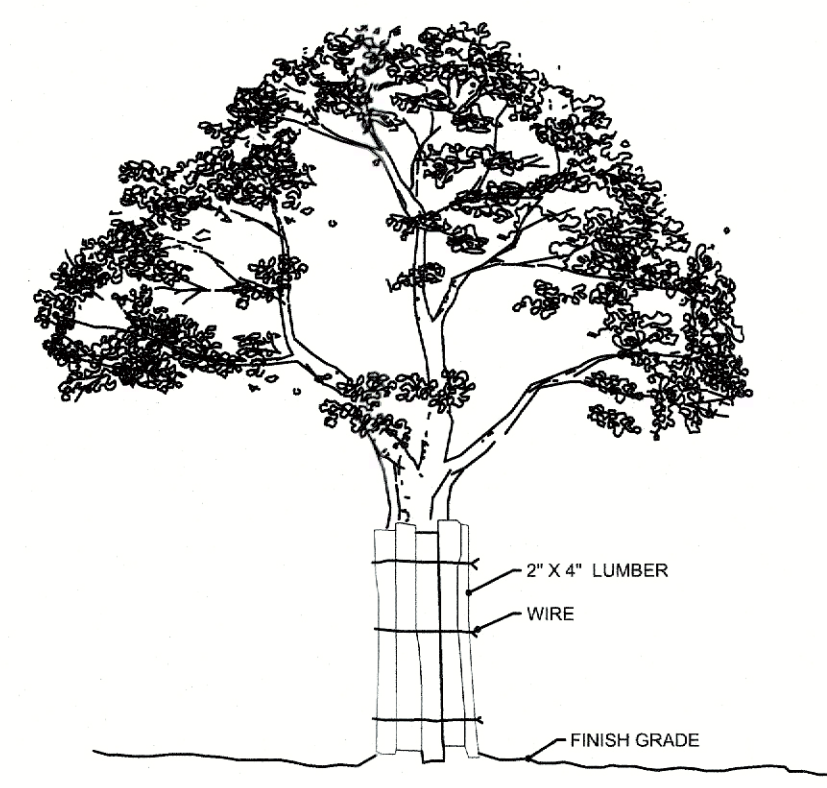
DATE: 7/15/2024
 W.A. No. 19144_05



1 TREE PROTECTION FENCING
N.T.S.



2 BORING AND TUNNELING
N.T.S.



WHERE A PROTECTED TREE REMAINS IN THE IMMEDIATE AREA OF INTENDED CONSTRUCTION, AND THE TREE MAY BE IN DANGER OF BEING DAMAGED BY CONSTRUCTION EQUIPMENT OR OTHER ACTIVITY, THE CONTRACTOR OR SUBCONTRACTOR SHALL PROTECT THE TREE WITH 2" X 4" LUMBER ENCLOSED WITH WIRE OR OTHER MEANS THAT DO NOT DAMAGE THE BARK OF THE TREE. THE INTENT IS TO PROTECT THE TRUNK OF THE TREE AGAINST INCIDENTAL CONTACT BY LARGE CONSTRUCTION EQUIPMENT.

3 BARK PROTECTION
N.T.S.

TREE PRESERVATION NOTES

CONSTRUCTION METHODS:

BORING: BORING OF UTILITIES UNDER PROTECTED TREES MAY BE REQUIRED. WHEN REQUIRED, THE MINIMUM LENGTH OF THE BORE SHALL BE THE WIDTH OF THE CRITICAL ROOT ZONE AND SHALL BE A MINIMUM DEPTH OF FORTY (48) INCHES.

TRENCHING: ALL TRENCHING SHALL BE DESIGNED TO AVOID TRENCHING ACROSS CRITICAL ROOT ZONES OF ANY PROTECTED TREE. THE PLACEMENT OF UNDERGROUND UTILITY LINES SUCH AS ELECTRIC, PHONE, GAS, ETC., IS ENCOURAGED TO BE LOCATED OUTSIDE THE CRITICAL ROOT ZONE. TRENCHING FOR IRRIGATION SYSTEMS SHALL BE PLACED OUTSIDE THE CRITICAL ROOT ZONE EXCEPT THE MINIMUM REQUIRED SINGLE HEAD SUPPLY LINE. THIS LINE IS ALLOWED TO EXTEND INTO THE CRITICAL ROOT ZONE PERPENDICULAR TO THE TREE TRUNK WITH THE LEAST POSSIBLE DISTURBANCE.

TREES TO BE REMOVED: ALL TREES TO BE REMOVED FROM THE SITE SHALL BE FLAGGED BY THE CONTRACTOR WITH BRIGHT RED VINYL TAPE WRAPPED AROUND THE MAIN TRUNK AT A HEIGHT OF FOUR (4) FEET ABOVE GRADE.

TREES TO REMAIN: ALL TREES TO REMAIN, AS NOTED ON DRAWINGS, SHALL HAVE PROTECTIVE FENCING LOCATED AT THE TREE'S DRIP LINE. THE PROTECTIVE FENCING SHALL BE LOCATED AS INDICATED ON THE TREE PROTECTION DETAIL.

EXISTING TREES NOTED TO REMAIN SHALL BE PROTECTED DURING CONSTRUCTION FROM DAMAGE AND COMPACTION OF SOIL UNDER AND AROUND DRIP LINE OF TREE.

UNDER NO CIRCUMSTANCE SHALL THE CONTRACTOR PRUNE ANY PORTION OF THE DAMAGED TREE WITHOUT THE PRIOR APPROVAL BY THE OWNERS AUTHORIZED REPRESENTATIVE.

PROHIBITED ACTIVITIES IN CRITICAL ROOT ZONE: THE FOLLOWING ACTIVITIES ARE PROHIBITED IN THE AREAS NOTED AS THE CRITICAL ROOT ZONE.

MATERIAL STORAGE: NO MATERIALS INTENDED FOR USE IN CONSTRUCTION, OR WASTE MATERIALS ACCUMULATED DUE TO EXCAVATION OR DEMOLITION, SHALL BE PLACED WITHIN THE LIMITS OF THE CRITICAL ROOT ZONE OF ANY PROTECTED TREE.

EQUIPMENT CLEANING/LIQUID DISPOSAL: NO EQUIPMENT SHALL BE CLEANED, OR OTHER LIQUIDS DEPOSITED OR ALLOWED WITHIN THE LIMITS OF THE CRITICAL ROOT ZONE OF A PROTECTED TREE. THIS INCLUDES, WITHOUT LIMITATION: PAINT, OIL, SOLVENTS, ASPHALT, CONCRETE, MORTAR OR SIMILAR MATERIALS.

TREE ATTACHMENTS: NO SIGNS, WIRES, OR OTHER ATTACHMENTS, OTHER THAN THOSE OF A PROTECTIVE NATURE, SHALL BE ATTACHED TO ANY PROTECTED TREE.

VEHICULAR TRAFFIC: NO VEHICULAR AND/OR CONSTRUCTION EQUIPMENT, TRAFFIC, OR PARKING SHALL TAKE PLACE WITHIN THE LIMITS OF THE CRITICAL ROOT ZONE OF ANY PROTECTED TREE OTHER THAN ON EXISTING STREET PAVEMENT.

GRADE CHANGES: A MINIMUM OF 75% OF THE DRIP LINE AND ROOT ZONE SHALL BE PRESERVED AT NATURAL GRADE. ANY FINE GRADING DONE WITHIN THE CRITICAL ROOT ZONES OF THE PROTECTED TREES MUST BE DONE WITH LIGHT MACHINERY SUCH AS A BOBCAT OR LIGHT TRACTOR. NO EARTH MOVING EQUIPMENT WITH TRACKS IS ALLOWED WITHIN THE CRITICAL ROOT ZONE OF THE TREES.

PROCEDURES REQUIRED PRIOR TO CONSTRUCTION:
PROTECTIVE FENCING: PRIOR TO CONSTRUCTION, THE CONTRACTOR OR SUBCONTRACTOR SHALL CONSTRUCT AND MAINTAIN, FOR EACH PROTECTED TREE ON A CONSTRUCTION SITE, A PROTECTIVE FENCING WHICH ENCLOSES THE OUTER LIMITS OF THE CRITICAL ROOT ZONE OF THE TREE TO PROTECT IT FROM CONSTRUCTION ACTIVITY. ALL PROTECTIVE FENCING SHALL BE IN PLACE PRIOR TO COMMENCEMENT OF ANY SITE WORK, AND REMAIN IN PLACE UNTIL ALL EXTERIOR WORK HAS BEEN COMPLETED.

BARK PROTECTION: IN SITUATIONS WHERE A PROTECTED TREE REMAINS IN THE IMMEDIATE AREA OF INTENDED CONSTRUCTION, AND THE LANDSCAPE ARCHITECT OR OWNERS REPRESENTATIVE DETERMINES THE TREE BARK TO BE IN DANGER OF DAMAGE BY CONSTRUCTION EQUIPMENT OR OTHER ACTIVITY, THE CONTRACTOR OR SUBCONTRACTOR SHALL PROTECT THE TREE BY ENCLOSED THE ENTIRE CIRCUMFERENCE OF THE TREE WITH 2" X 4" LUMBER ENCLOSED WITH WIRE OR OTHER MEANS THAT DO NOT DAMAGE THE TREE. THE INTENT IS TO PROTECT THE BARK OF THE TREE AGAINST INCIDENTAL CONTACT BY LARGE CONSTRUCTION EQUIPMENT.

EXISTING TREE				
NO.	CALIPER	TREE SPECIES	REMAIN/REMOVE	NOTES
1	5	CREPE MYRTLE	TO REMAIN	
2	5	CREPE MYRTLE	TO REMAIN	
3	5	CREPE MYRTLE	TO REMAIN	
4	5	CREPE MYRTLE	TO REMAIN	
5	4	CHINESE PISTACHE	TO REMAIN	
6	4	CHINESE PISTACHE	TO REMAIN	
7	4	CHINESE PISTACHE	TO REMAIN	
8	4	CHINESE PISTACHE	TO REMAIN	
9	4	CHINESE PISTACHE	TO REMAIN	
10	4	CHINESE PISTACHE	TO REMAIN	
11	4	CHINESE PISTACHE	TO REMAIN	
12	4	CHINESE PISTACHE	TO REMAIN	
13	4	CHINESE PISTACHE	TO REMAIN	
14	4	LIVE OAK	TRANSPLANTED	
15	4	LIVE OAK	TRANSPLANTED	
16	5	CREPE MYRTLE	TO BE REMOVED	
17	4	LIVE OAK	TRANSPLANTED	
18	5	CREPE MYRTLE	TO BE REMOVED	
19	5	CREPE MYRTLE	TO BE REMOVED	
20	4	LIVE OAK	TRANSPLANTED	
21	4	LIVE OAK	TRANSPLANTED	
22	4	BUR OAK	TO BE REMOVED	POOR CONDITION
23	4	CEDAR ELM	TRANSPLANTED	
24	5	CREPE MYRTLE	TO BE REMOVED	
25	5	CREPE MYRTLE	TO BE REMOVED	
26	4	CEDAR ELM	TRANSPLANTED	
27	4	CEDAR ELM	TRANSPLANTED	
28	4	CEDAR ELM	TRANSPLANTED	
29	4	CEDAR ELM	TRANSPLANTED	
30	4	BUR OAK	TO BE REMOVED	POOR CONDITION
31	4	BUR OAK	TRANSPLANTED	
32	4	CEDAR ELM	TO BE REMOVED	POOR CONDITION
33	4	LIVE OAK	TRANSPLANTED	
34	4	LIVE OAK	TRANSPLANTED	
35	4	LIVE OAK	TO BE REMOVED	POOR CONDITION
36	4	LIVE OAK	TO BE REMOVED	POOR CONDITION
37	4	LIVE OAK	TO BE REMOVED	POOR CONDITION
38	4	CEDAR ELM	TRANSPLANTED	
39	4	CEDAR ELM	TO BE REMOVED	POOR CONDITION
40	4	CEDAR ELM	TRANSPLANTED	
41	4	CYPRESS	TO BE REMOVED	POOR CONDITION
42	5	CREPE MYRTLE	TO BE REMOVED	
43	5	CREPE MYRTLE	TO BE REMOVED	
44	5	CREPE MYRTLE	TO BE REMOVED	
45	5	CREPE MYRTLE	TO BE REMOVED	
46	5	CREPE MYRTLE	TO BE REMOVED	
47	4	CYPRESS	TRANSPLANTED	
48	4	CYPRESS	TRANSPLANTED	
49	4	CEDAR ELM	TRANSPLANTED	
50	4	BUR OAK	TO BE REMOVED	POOR CONDITION
51	4	CEDAR ELM	TRANSPLANTED	
52	4	CEDAR ELM	TO BE REMOVED	POOR CONDITION
53	4	CEDAR ELM	TRANSPLANTED	
54	4	CYPRESS	TRANSPLANTED	
55	4	CYPRESS	TRANSPLANTED	
56	4	CYPRESS	TRANSPLANTED	
57	4	CYPRESS	TRANSPLANTED	
58	4	CEDAR ELM	TRANSPLANTED	
59	4	CEDAR ELM	TRANSPLANTED	
60	4	LIVE OAK	TRANSPLANTED	
61	4	LIVE OAK	TRANSPLANTED	
62	4	LIVE OAK	TRANSPLANTED	
63	5	CREPE MYRTLE	TO BE REMOVED	
64	4	CEDAR ELM	TRANSPLANTED	
65	4	CEDAR ELM	TRANSPLANTED	
66	5	CREPE MYRTLE	TO BE REMOVED	
67	5	CREPE MYRTLE	TO BE REMOVED	
68	4	CEDAR ELM	TRANSPLANTED	
69	4	CEDAR ELM	TRANSPLANTED	
70	4	CEDAR ELM	TRANSPLANTED	
71	4	CYPRESS	TRANSPLANTED	
72	4	CYPRESS	TO BE REMOVED	POOR CONDITION
73	4	CYPRESS	TRANSPLANTED	
74	4	CYPRESS	TRANSPLANTED	
75	5	CREPE MYRTLE	TO BE REMOVED	
76	4	CEDAR ELM	TO BE REMOVED	POOR CONDITION
77	4	CEDAR ELM	TRANSPLANTED	
78	4	WHITE ASH	TRANSPLANTED	
79	4	WHITE ASH	TO REMAIN	
80	4	CEDAR ELM	TRANSPLANTED	
81	4	CEDAR ELM	TRANSPLANTED	
82	4	LIVE OAK	TO BE REMOVED	POOR CONDITION
83	4	LIVE OAK	TO REMAIN	
84	4	LIVE OAK	TO BE REMOVED	POOR CONDITION

TOTAL INCHES ON SITE	354
TOTAL INCHES TO REMAIN	64
TOTAL INCHES TO BE TRANSPLANTED	164
TOTAL INCHES TO BE REMOVED	182
TOTAL INCHES DEAD/POOR CONDITION	56
TOTAL MITIGATION (56" x \$100 per inch)	\$5,600.00

**L1.01 TREE PRESERVATION NOTES
AMERISPORTS PARKING EXPANSION**

BEING 6.377 ACRES OF LAND
DESCRIBED IN A PLAT AS LOT 5, BLOCK B, FIT SPORT LIFE ADDITION
RECORDED IN INSTRUMENT NO. 2022000003843,
OFFICIAL PUBLIC RECORDS, ROCKWALL COUNTY, TEXAS
LOCATED IN THE ROBERT BOYD IRVINE SURVEY, ABSTRACT NO. 120
ROCKWALL COUNTY, TEXAS
CASE NO. XXXX

EXISTING ZONING: COMMERCIAL (SPORTS COMPLEX)
PROPOSED LAND USE: COMMERCIAL (SPORTS COMPLEX)

APPROVED:
I hereby certify that the above and foregoing site plan for development in the City of Rockwall, Texas, was approved by the Planning & Zoning Director on the 31 day of July, 2021.

DIRECTOR OF PLANNING AND ZONING



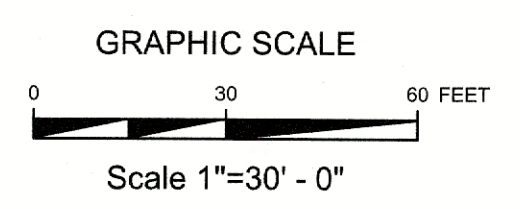
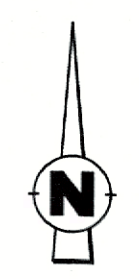
AWR Designs, LLC
P.O. Box 1746
Aledo, Texas 76008
amanda@awr-designs.com
c. 512.517.5589



BLOCK B
ADDITION
00003843
C.T.



- TREE PRESERVATION LEGEND
- TREE TO BE REMOVED
 - TREE TO REMAIN
 - TREE PRESERVATION FENCING
 - TREE TO BE TRANSPLANTED



VARIABLE WIDTH
SANITARY SEWER EASEMENT
INST. No. 20160000012776
INST. No. 2016000001279
O.P.R.C.T.

L1.02 TREE PRESERVATION PLAN
AMERISPORTS PARKING EXPANSION

BEING 6.377 ACRES OF LAND
DESCRIBED IN A PLAT AS LOT 5, BLOCK B, FIT SPORT LIFE ADDITION
RECORDED IN INSTRUMENT NO. 2022000003843,
OFFICIAL PUBLIC RECORDS, ROCKWALL COUNTY, TEXAS
LOCATED IN THE ROBERT BOYD IRVINE SURVEY, ABSTRACT NO. 120
ROCKWALL COUNTY, TEXAS
CASE NO. XXXX

EXISTING ZONING: COMMERCIAL (SPORTS COMPLEX)
PROPOSED LAND USE: COMMERCIAL (SPORTS COMPLEX)

APPROVED:
I hereby certify that the above and foregoing site plan for
development in the City of Rockwall, Texas, was approved by the
Planning & Zoning Director on the 31 day of July,
2024.

DIRECTOR OF PLANNING AND ZONING



AWR Designs, LLC
P.O. Box 1746
Aledo, Texas 76008
amanda@awr-designs.com
c. 512.517.5589



DATE: 06/26/24

GENERAL LAWN NOTES

- CONTRACTOR SHALL COORDINATE OPERATIONS AND AVAILABILITY OF EXISTING TOPSOIL WITH ON-SITE CONSTRUCTION MANAGER.
- LAWN AREAS SHALL BE LEFT 1" BELOW FINAL FINISHED GRADE PRIOR TO TOPSOIL INSTALLATION. CONTRACTOR TO FIND GRADE AREAS TO ACHIEVE FINAL CONTOURS AS SHOWN ON CIVIL DRAWINGS.
- POSITIVE DRAINAGE SHALL BE PROVIDED AWAY FROM ALL BUILDINGS, ROUNDING AT TOP AND BOTTOM OF SLOPES SHALL BE PROVIDED AND IN OTHER BREAKS IN GRADE. CORRECT AREAS WHERE STANDING WATER MAY OCCUR.
- ALL LAWN AREAS SHALL BE FINE GRADED, IRRIGATION TRENCHES COMPLETELY SETTLED AND FINISH GRADE APPROVED BY THE OWNERS CONSTRUCTION MANAGER OR LANDSCAPE ARCHITECT PRIOR TO LAWN INSTALLATION.
- CONTRACTOR SHALL REMOVE ALL ROCKS 3/4" IN DIAMETER AND LARGER. REMOVE ALL DIRT CLODS, STICKS, CONCRETE SPILLS, TRASH ETC PRIOR TO PLACING TOPSOIL AND GRASS INSTALLATION.
- CONTRACTOR SHALL MAINTAIN ALL LAWN AREAS UNTIL FINAL ACCEPTANCE.
- CONTRACTOR SHALL GUARANTEE ESTABLISHMENT OF ACCEPTABLE TURF AREA AND SHALL PROVIDE REPLACEMENT IF NECESSARY.

SOLID SOD

- SOLID SOD SHALL BE PLACED ALONG ALL IMPERVIOUS EDGES, AT A MINIMUM. THIS SHALL INCLUDE CURBS, WALKS, INLETS, MANHOLES AND PLANTING BED AREAS. SOD SHALL COVER OTHER AREAS COMPLETELY AS INDICATED BY PLAN.
- SOD SHALL BE STRONGLY ROOTED DROUGHT RESISTANT SOD, NOT LESS THAN 2 YEARS OLD, FREE OF WEEDS AND UNDESIRABLE NATIVE GRASS AND MACHINE CUT TO PAD THICKNESS OF 3/4" (+/-1/4"), EXCLUDING TOP GROWTH AND THATCH.
- LAY SOD BY HAND TO COVER INDICATED AREAS COMPLETELY, ENSURING EDGES ARE TOUCHING WITH TIGHTLY FITTING JOINTS, NO OVERLAPS WITH STAGGERED STRIPS TO OFFSET JOINTS.
- TOP DRESS JOINTS IN SOD BY HAND WITH TOPSOIL TO FILL VOIDS IF NECESSARY.
- SOD SHALL BE ROLLED TO CREATE A SMOOTH EVEN SURFACE. SOD SHOULD BE WATERED THOROUGHLY DURING INSTALLATION PROCESS.
- SHOULD INSTALLATION OCCUR BETWEEN OCTOBER 1ST AND MARCH 1ST, OVERSEED BERMUDAGRASS SOD WITH WINTER RYEGRASS AT A RATE OF 4 POUNDS PER 1000 S.F.

HYDROMULCH

- SCARIFY AND LOOSEN ALL AREAS TO BE HYDROMULCHED TO A MINIMUM DEPTH OF 4" PRIOR TO TOPSOIL AND HYDROMULCH INSTALLATION.
- BERMUDA GRASS SEED SHALL BE EXTRA HULLED, TREATED LAWN TYPE. SEED SHALL BE DELIVERED TO THE SITE IN ITS ORIGINAL UNOPENED CONTAINER AND SHALL MEET ALL STATE/LOCAL LAW REQUIREMENTS.
- FIBER SHALL BE 100% WOOD CELLULOSE FIBER, DELIVERED TO THE SITE IN ITS ORIGINAL UNOPENED CONTAINER AS MANUFACTURED BY CONWEEB OR EQUAL.
- FIBER TACK SHALL BE DELIVERED TO THE SITE IN ITS UNOPENED CONTAINER AND SHALL BE TERROR-TACK ONE, AS MANUFACTURED BY GORVIERS, INC OR APPROVED EQUAL.
- HYDROMULCH WITH BERMUDA GRASS SEED AT A RATE OF 4 POUNDS PER 1000 S.F.
- USE A BATTER BOARD AGAINST ALL BED AREAS TO PREVENT OVER SPRAY.
- IF INADEQUATE MOISTURE IS PRESENT IN SOIL, APPLY WATER AS NECESSARY FOR OPTIMUM MOISTURE FOR SEED APPLICATION.
- IF INSTALLATION OCCURS BETWEEN SEPTEMBER 1ST AND MAY 1ST, ALL HYDROMULCH AREAS SHALL BE OVER-SEEDDED WITH WINTER RYE GRASS AT A RATE OF FOUR POUNDS PER ONE THOUSAND SQUARE FEET. CONTRACTOR SHALL BE REQUIRED TO RE-HYDROMULCH WITH BERMUDA GRASS THE FOLLOWING GROWING SEASON AS PART OF THIS CONTRACT.
- AFTER APPLICATION, NO EQUIPMENT SHALL OPERATE OVER APPLIED AREAS. WATER SEEDED AREAS IMMEDIATELY AFTER INSTALLATION TO SATURATION.
- ALL LAWN AREAS TO BE HYDROMULCHED SHALL ACHIEVE 100% COVERAGE PRIOR TO FINAL ACCEPTANCE.

LANDSCAPE NOTES

- CONTRACTOR TO VERIFY AND LOCATE ALL PROPOSED AND EXISTING ELEMENTS. NOTIFY LANDSCAPE ARCHITECT OR DESIGNATED REPRESENTATIVE FOR ANY LAYOUT DISCREPANCIES OR ANY CONDITION THAT WOULD PROHIBIT THE INSTALLATION AS SHOWN. SURVEY DATA OF EXISTING CONDITIONS WAS SUPPLIED BY OTHERS.
- CONTRACTOR SHALL CALL 811 TO VERIFY AND LOCATE ANY AND ALL UTILITIES ON SITE PRIOR TO COMMENCING WORK. LANDSCAPE ARCHITECT SHOULD BE NOTIFIED OF ANY CONFLICTS.
- CONTRACTOR TO EXERCISE EXTREME CAUTION WHEN WORKING NEAR UNDERGROUND UTILITIES.
- A MINIMUM OF 2% SLOPE SHALL BE PROVIDED AWAY FROM ALL STRUCTURES.
- CONTRACTOR SHALL FINE GRADE AREAS TO ACHIEVE FINAL CONTOURS AS INDICATED. LEAVE AREAS TO RECEIVE TOPSOIL 3/4" BELOW FINAL FINISHED GRADE IN PLANTING AREAS AND 1" BELOW FINAL FINISHED GRADE IN LAWN AREAS.
- LANDSCAPE ISLANDS SHALL BE CROWNED AND UNIFORM THROUGHOUT THE SITE.
- PLANTING AREAS AND SOD TO BE SEPARATED BY STEEL EDGING. NO STEEL EDGING SHALL BE INSTALLED ADJACENT TO BUILDINGS, WALKS OR CURBS. EDGING NOT TO BE MORE THAN 1/2" ABOVE FINISHED GRADE.
- EDGING SHALL BE CUT AT 45 DEGREE ANGLE WHERE IT INTERSECTS WALKS AND/OR CURBS.
- MULCH SHALL BE INSTALLED AT 1/2" BELOW THE TOPS OF SIDEWALKS AND CURBING.
- QUANTITIES ON THESE PLANS ARE FOR REFERENCE ONLY. THE SPACING OF PLANTS SHOULD BE AS INDICATED ON PLANS OR OTHERWISE NOTED. ALL TREES AND SHRUBS SHALL BE PLANTED PER DETAILS.
- CONTAINER GROWN PLANT MATERIAL IS PREFERRED HOWEVER BALL AND BURLAP PLANT MATERIAL CAN BE SUBSTITUTED IF NEEDED AND IS APPROPRIATE TO THE SIZE AND QUALITY INDICATED ON THE PLANT MATERIAL LIST.
- TREES SHALL BE PLANTED AT A MINIMUM OF 9' FROM ANY UTILITY LINE, SIDEWALK OR CURB. TREES SHALL ALSO BE 10' CLEAR FROM FIRE HYDRANTS.
- 4" OF SHREDDED HARDWOOD MULCH (2" SETTLED THICKNESS) SHALL BE PLACED OVER WEED BARRIER FABRIC. MULCH SHALL BE SHREDDED HARDWOOD MULCH OR APPROVED EQUAL. PINE STRAW MULCH IS PROHIBITED.
- WEED BARRIER FABRIC SHALL BE USED IN PLANT BEDS AND AROUND ALL TREES AND SHALL BE MIRAFI 1405 WEED BARRIER OR APPROVED EQUAL.
- CONTRACTOR TO PROVIDE UNIT PRICINGS OF LANDSCAPE MATERIALS AND BE RESPONSIBLE FOR OBTAINING ALL LANDSCAPE AND IRRIGATION PERMITS.

IRRIGATION

- ALL REQUIRED LANDSCAPE AREAS SHALL HAVE AN AUTOMATIC IRRIGATION SYSTEM WITH A FREEZE/RAIN SENSOR. SYSTEM SHALL ALSO HAVE AN ET WEATHER BASED CONTROLLER AND BE DESIGNED AND INSTALLED BY A LICENSED IRRIGATOR.

MAINTENANCE REQUIREMENTS

- VEGETATION SHOULD BE INSPECTED REGULARLY TO ENSURE THAT PLANT MATERIAL IS ESTABLISHING PROPERLY AND REMAINS IN A HEALTHY GROWING CONDITION APPROPRIATE FOR THE SEASON. IF DAMAGED OR REMOVED, PLANTS MUST BE REPLACED BY A SIMILAR VARIETY AND SIZE.
- MOVING, TRIMMING, EDGING AND SUPERVISION OF WATER APPLICATIONS SHALL BE THE RESPONSIBILITY OF THE CONTRACTOR UNTIL THE OWNER OR OWNERS REPRESENTATIVE.

- ACCEPTS AND ASSUMES REGULAR MAINTENANCE.
- ALL LANDSCAPE AREAS SHOULD BE CLEANED AND KEPT FREE OF TRASH, DEBRIS, WEEDS AND OTHER MATERIAL.

MISCELLANEOUS MATERIALS:

- STEEL EDGING SHALL BE 3/16" X 4 X 18" DARK GREEN DURADEGEE STEEL LANDSCAPE EDGING UNLESS NOTED OTHERWISE ON PLANS/DETAILS.
- RIVER ROCK SHALL BE ARIZONA RIVER ROCK, 2" - 4" DIAMETER. RIVER ROCK SHALL BE COMPACTED TO A MINIMUM OF 3" DEPTH OVER FILTER FABRIC.
- DECOMPOSED GRANITE SHALL CONSIST OF A NATURAL MIX OF GRANITE AGGREGATE NOT TO EXCEED 1/8" IN DIAMETER AND COMPOSED OF VARIOUS STAGES OF DECOMPOSED EARTH BASE. DO SHALL BE PLACED OVER FILTER FABRIC AT A MINIMUM OF 3" DEPTH.
- BOULDERS SHALL BE ON AVERAGE 36" X 24" X 24" AND A MIN. OF 500LBS. BOULDER TO BE SET IN GROUND ON A 1" SAND SETTING BED, APPROXIMATELY 2" BELOW FINISH GRADE. BOULDER SHOULD HAVE A WEATHERED FINISH. EACH BOULDER HAS A NATURAL TOP AND BOTTOM. ENSURE THAT THE BOULDER IS POSITIONED CORRECTLY BEFORE INSTALLATION.

PRUNING AND TRIMMING NOTES

- CONTRACTOR SHALL PRUNE ALL EXISTING TREES ON-SITE USING STANDARD GUIDELINES IN THE INDUSTRY.
- ALL TREES SHALL BE TRIMMED SO THAT NATURAL SHAPES OF THE PLANTS ARE RETAINED.
- DO NOT TOP OR HEAD TREES.
- IF BALLING OR SHEARING OF TREES HAS OCCURRED IN THE PAST, DISCONTINUE THIS PRACTICE AND ALLOW PLANTS TO GROW INTO NATURAL SHAPE.
- REMOVE SUCKERS, DEAD, DYING, DISEASED, BROKEN AND / OR WEAK BRANCHES FROM ALL TREES ALONG THE MAIN TRUNK STRUCTURE AND WITHIN THE BRANCHING AREA.
- CONTRACTOR SHALL PRUNE EXISTING DECIDUOUS HARDWOOD BY REMOVING LOWER LIMBS TO RAISE THE CANOPY. THE BOTTOM OF THE CANOPY SHALL BE RAISED TO 12-14" ABOVE GRADE FOR DECIDUOUS HARDWOOD TREES, WHEN POSSIBLE. THE INTEGRITY OF THE CANOPY AND STRUCTURE OF THE TREE SHALL BE MAINTAINED. DO NOT CUT OR PRUNE CENTRAL LEADERS.
- CONTRACTOR SHALL THIN THE CANOPY BY ONE-FOURTH. PRUNE TREES TO EVENLY SPACE BRANCHES WITHIN THE CANOPY WHENEVER POSSIBLE. REMOVE THOSE LIMBS THAT CROSS OTHERS, DOUBLE LEADERS AND THOSE THAT EXCESSIVELY EXTEND BEYOND THE NATURAL GROWTH OF THE TREE.
- CONTRACTOR SHALL PROVIDE DEEP ROOT FEEDING AND INVIGORATION OF EXISTING TREES. THIS SHALL BE ORGANIC BASED NUTRIENTS BASED FOR ROOT GROWTH AND LEAF GROWTH STIMULATION.
- CONTRACTOR SHALL BE REQUIRED TO CHIP ALL REMOVED BRANCHES, LEAFS, ETC.

EXISTING TREE

NO.	CALIPER	TREE SPECIES	REMAIN/REMOVE	NOTES
1	5	CREPE MYRTLE	TO REMAIN	
2	5	CREPE MYRTLE	TO REMAIN	
3	5	CREPE MYRTLE	TO REMAIN	
4	5	CREPE MYRTLE	TO REMAIN	
5	4	CHINESE PISTACHE	TO REMAIN	
6	4	CHINESE PISTACHE	TO REMAIN	
7	4	CHINESE PISTACHE	TO REMAIN	
8	4	CHINESE PISTACHE	TO REMAIN	
9	4	CHINESE PISTACHE	TO REMAIN	
10	4	CHINESE PISTACHE	TO REMAIN	
11	4	CHINESE PISTACHE	TO REMAIN	
12	4	CHINESE PISTACHE	TO REMAIN	
13	4	CHINESE PISTACHE	TO REMAIN	
14	4	LIVE OAK	TRANSPLANTED	
15	4	LIVE OAK	TRANSPLANTED	
16	5	CREPE MYRTLE	TO BE REMOVED	
17	4	LIVE OAK	TRANSPLANTED	
18	5	CREPE MYRTLE	TO BE REMOVED	
19	5	CREPE MYRTLE	TO BE REMOVED	
20	4	LIVE OAK	TRANSPLANTED	
21	4	LIVE OAK	TRANSPLANTED	
22	4	BUR OAK	TO BE REMOVED	POOR CONDITION
23	4	CEDAR ELM	TRANSPLANTED	
24	5	CREPE MYRTLE	TO BE REMOVED	
25	5	CREPE MYRTLE	TO BE REMOVED	
26	4	CEDAR ELM	TRANSPLANTED	
27	4	CEDAR ELM	TRANSPLANTED	
28	4	CEDAR ELM	TRANSPLANTED	
29	4	CEDAR ELM	TRANSPLANTED	
30	4	BUR OAK	TO BE REMOVED	POOR CONDITION
31	4	BUR OAK	TRANSPLANTED	
32	4	CEDAR ELM	TO BE REMOVED	POOR CONDITION
33	4	LIVE OAK	TRANSPLANTED	
34	4	LIVE OAK	TRANSPLANTED	
35	4	LIVE OAK	TO BE REMOVED	POOR CONDITION
36	4	LIVE OAK	TO BE REMOVED	POOR CONDITION
37	4	LIVE OAK	TO BE REMOVED	POOR CONDITION
38	4	CEDAR ELM	TRANSPLANTED	
39	4	CEDAR ELM	TO BE REMOVED	POOR CONDITION
40	4	CEDAR ELM	TRANSPLANTED	
41	4	CYPRESS	TO BE REMOVED	POOR CONDITION
42	5	CREPE MYRTLE	TO BE REMOVED	
43	5	CREPE MYRTLE	TO BE REMOVED	
44	5	CREPE MYRTLE	TO BE REMOVED	
45	5	CREPE MYRTLE	TO BE REMOVED	
46	5	CREPE MYRTLE	TO BE REMOVED	
47	4	CYPRESS	TRANSPLANTED	
48	4	CYPRESS	TRANSPLANTED	
49	4	CEDAR ELM	TRANSPLANTED	
50	4	BUR OAK	TO BE REMOVED	POOR CONDITION
51	4	CEDAR ELM	TRANSPLANTED	
52	4	CEDAR ELM	TO BE REMOVED	POOR CONDITION
53	4	CEDAR ELM	TRANSPLANTED	
54	4	CYPRESS	TRANSPLANTED	
55	4	CYPRESS	TRANSPLANTED	
56	4	CYPRESS	TRANSPLANTED	
57	4	CYPRESS	TRANSPLANTED	
58	4	CEDAR ELM	TRANSPLANTED	
59	4	CEDAR ELM	TRANSPLANTED	
60	4	LIVE OAK	TRANSPLANTED	
61	4	LIVE OAK	TRANSPLANTED	
62	4	LIVE OAK	TRANSPLANTED	
63	5	CREPE MYRTLE	TO BE REMOVED	
64	4	CEDAR ELM	TRANSPLANTED	
65	4	CEDAR ELM	TRANSPLANTED	
66	5	CREPE MYRTLE	TO BE REMOVED	
67	5	CREPE MYRTLE	TO BE REMOVED	
68	4	CEDAR ELM	TRANSPLANTED	
69	4	CEDAR ELM	TRANSPLANTED	
70	4	CEDAR ELM	TRANSPLANTED	
71	4	CYPRESS	TRANSPLANTED	
72	4	CYPRESS	TO BE REMOVED	POOR CONDITION
73	4	CYPRESS	TRANSPLANTED	
74	4	CYPRESS	TRANSPLANTED	
75	5	CREPE MYRTLE	TO BE REMOVED	
76	4	CEDAR ELM	TO BE REMOVED	POOR CONDITION
77	4	CEDAR ELM	TRANSPLANTED	
78	4	WHITE ASH	TRANSPLANTED	
79	4	WHITE ASH	TO REMAIN	
80	4	CEDAR ELM	TRANSPLANTED	
81	4	CEDAR ELM	TRANSPLANTED	
82	4	LIVE OAK	TO BE REMOVED	POOR CONDITION
83	4	LIVE OAK	TO REMAIN	
84	4	LIVE OAK	TO BE REMOVED	POOR CONDITION

TOTAL INCHES ON SITE	354
TOTAL INCHES TO REMAIN	84
TOTAL INCHES TO BE TRANSPLANTED	164
TOTAL INCHES TO BE REMOVED	182
TOTAL INCHES DEAD/POOR CONDITION	56
TOTAL MITIGATION (56" x \$100 per inch)	\$5,600.00

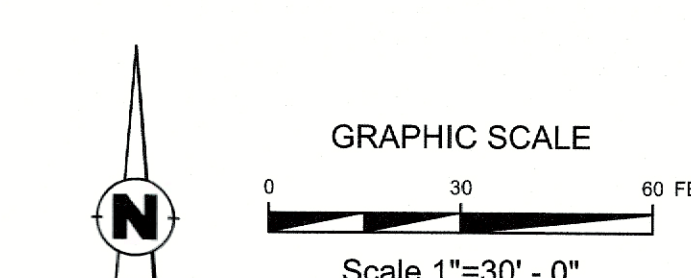
PLANT SCHEDULE

QTY	LABEL	COMMON NAME	SCIENTIFIC NAME	SIZE	NOTES
183	DBH	SHRUBS Dwarf Burford Holly	<i>Ilex cornuta 'Burford Nana'</i>	36" ht.	full, 20" spread, 36" o.c.
GROUND COVER/VINES/GRASS					
Bermuda Solid Sod Turf or Hydromulch					

Plant list is an aid to bidders only. Contractor shall verify all quantities on plan. All heights and spreads are minimums. Trees shall have a strong central leader and be of matching specimens. All plant material shall meet or exceed remarks as indicated.

LANDSCAPE TABULATIONS

ROCKWALL, TEXAS	
STREET LANDSCAPING	
1. 10' wide landscape buffer with one canopy tree and one accent tree per fifty l.f.	
Street A - 585 l.f.	
REQUIRED	PROVIDED
12 canopy trees, 4" cal.	12 canopy trees, 4" cal.
12 accent trees, 4' ht min.	12 accent trees, 4' ht min.
PARKING LOT LANDSCAPE	
1. 5% of the interior parking lot shall be landscape.	
2. 1 canopy tree per 10 parking spaces.	
Parking spaces: 326	
Parking area: 117,291 s.f.	
REQUIRED	PROVIDED
5864 s.f. (5%)	12,724 s.f. (10.8%)
33 canopy trees, 4" cal.	28 existing trees, 17 transplanted trees
SITE LANDSCAPING	
1. 20% of the total site shall be landscape.	
2. 50% shall be located in the front of and along side the buildings.	
Site: 227,793 s.f.	
REQUIRED	PROVIDED
45,557 s.f. (20%)	54,634 s.f. (23%)
22,779 s.f. (50%)	27,222 s.f.



L1.03 LANDSCAPE NOTES
AMERISPORTS PARKING EXPANSION

BEING 6.377 ACRES OF LAND
DESCRIBED IN A PLAT AS LOT 5, BLOCK B, FIT SPORT LIFE ADDITION
RECORDED IN INSTRUMENT NO. 2022000003843,
OFFICIAL PUBLIC RECORDS, ROCKWALL COUNTY, TEXAS
LOCATED IN THE ROBERT BOYD IRVINE SURVEY, ABSTRACT NO. 120
ROCKWALL COUNTY, TEXAS
CASE NO. XXXX

EXISTING ZONING: COMMERCIAL (SPORTS COMPLEX)
PROPOSED LAND USE: COMMERCIAL (SPORTS COMPLEX)

APPROVED:
I hereby certify that the above and foregoing site plan for
development in the City of Rockwall, Texas, was approved by the
Planning & Zoning Director on the 31 day of July
2024.

[Signature]
Director of Planning & Zoning

BEING SITE PLAN FOR A DEVELOPMENT IN THE
THE PLANNING & ZONING COMMISSION OF THE

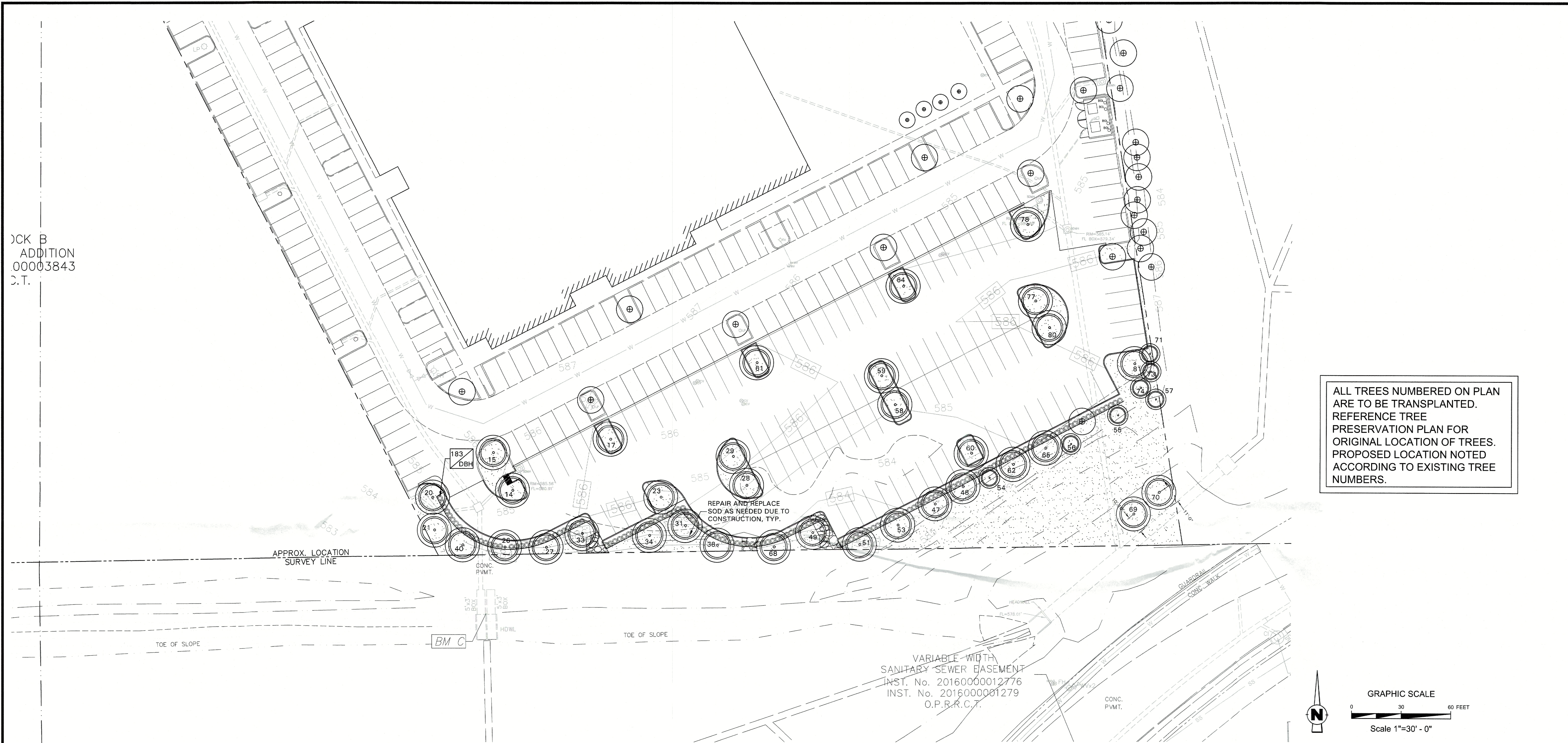
DIRECTOR OF PLANNING AND ZONING



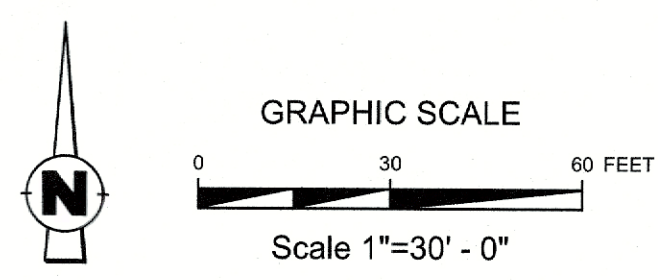
AWR Designs, LLC
P.O. Box 1746
Aledo, Texas 76008
amanda@awr-designs.com
c. 512.517.5589



OCK B
ADDITION
00003843
C.T.



ALL TREES NUMBERED ON PLAN
ARE TO BE TRANSPLANTED.
REFERENCE TREE
PRESERVATION PLAN FOR
ORIGINAL LOCATION OF TREES.
PROPOSED LOCATION NOTED
ACCORDING TO EXISTING TREE
NUMBERS.



PLANT SCHEDULE				
QTY LABEL	COMMON NAME	SCIENTIFIC NAME	SIZE	NOTES
183 DBH	Dwarf Burford Holly	<i>Ilex cornuta 'Burford Nana'</i>	36" ht.	full, 20" spread, 36" o.c.
GROUND COVER/VINES/GRASS				
Bermuda Solid Sod Turf or Hydromulch				

Plant list is an aid to bidders only. Contractor shall verify all quantities on plan. All heights and spreads are minimums. Trees shall have a strong central leader and be of matching specimens. All plant material shall meet or exceed remarks as indicated.

L1.04 LANDSCAPE PLAN
AMERISPORTS PARKING EXPANSION
BEING 6.377 ACRES OF LAND
DESCRIBED IN A PLAT AS LOT 5, BLOCK B, FIT SPORT LIFE ADDITION
RECORDED IN INSTRUMENT NO. 2022000003843,
OFFICIAL PUBLIC RECORDS, ROCKWALL COUNTY, TEXAS
LOCATED IN THE ROBERT BOYD IRVINE SURVEY, ABSTRACT NO. 120
ROCKWALL COUNTY, TEXAS
CASE NO. XXXX

EXISTING ZONING: COMMERCIAL (SPORTS COMPLEX)
PROPOSED LAND USE: COMMERCIAL (SPORTS COMPLEX)

APPROVED:
I hereby certify that the above and foregoing site plan for development in the City of Rockwall, Texas, was approved by the Planning & Zoning Director on the 31 day of July, 2021.

DIRECTOR OF PLANNING AND ZONING

AWR
AWR Designs, LLC
P.O. Box 1746
Aledo, Texas 76608
amanda@awr-designs.com
c. 512.517.5589



DATE: 06/26/24

SECTION 32 8300 - LANDSCAPE

PART 1 - GENERAL

1.1 QUALIFICATIONS OF THE LANDSCAPE CONTRACTOR

- A. ALL LANDSCAPE WORK SHOWN ON THESE PLANS SHALL BE PERFORMED BY A SINGLE FIRM SPECIALIZING IN LANDSCAPE PLANTING

1.2 REFERENCE DOCUMENTS

- A. REFER TO LANDSCAPE PLANS, NOTES, SCHEDULES AND DETAILS FOR ADDITIONAL REQUIREMENTS

1.3 SCOPE OF WORK / DESCRIPTION OF WORK

- A. WORK COVERED BY THESE SECTIONS INCLUDES: FURNISH ALL SUPERVISIONS, LABOR, MATERIALS, SERVICES, EQUIPMENT AND APPLIANCES REQUIRED TO COMPLETE THE WORK COVERED IN CONJUNCTION WITH THE LANDSCAPING COVERED IN LANDSCAPE PLANS AND SPECIFICATIONS INCLUDING:

- 1. PLANTING (TREES, SHRUBS, GRASSES)
1. BED PREP AND FERTILIZATION
3. NOTIFICATION OF SOURCES
4. WATER AND MAINTENANCE UNTIL ACCEPTANCE
5. GUARANTEE

- B. ALL WORK SHALL BE PERFORMED IN ACCORDANCE WITH ALL APPLICABLE LAWS, CODES AND REGULATIONS REQUIRED BY AUTHORITIES HAVING JURISDICTION OVER SUCH WORK, INCLUDING ALL INSPECTIONS AND PERMITS REQUIRED BY FEDERAL, STATE AND LOCAL AUTHORITIES IN SUPPLY, TRANSPORTATION AND INSTALLATION OF MATERIALS.
C. THE LANDSCAPE CONTRACTOR SHALL VERIFY THE LOCATION OF ALL UNDERGROUND UTILITY LINES (WATER, SEWER, ELECTRICAL, TELEPHONE, GAS, CABLE, TELEVISION, ETC.) PRIOR TO THE START OF ANY WORK.

1.4 REFERENCES

- A. AMERICAN STANDARD FOR NURSERY STOCK PUBLISHED BY AMERICAN ASSOCIATION OF NURSERYMEN; 27 OCTOBER 1980, EDITION; BY AMERICAN NATIONAL STANDARDS INSTITUTE (ANSI) - PLANT MATERIALS
B. AMERICAN JOINT COMMITTEE ON HORTICULTURE NOMENCLATURE; 1942 EDITION OF STANDARDIZED PLANT NAMES
C. TEXAS ASSOCIATION OF NURSERYMEN, GRADES AND STANDARDS

1.5 SUBMITTALS

- A. PROVIDE REPRESENTATIVE QUANTITIES OF EACH SOIL, MULCH, BED MIX, GRAVEL AND STONE BEFORE INSTALLATION. SAMPLES TO BE APPROVED BY OWNER'S REPRESENTATIVE BEFORE USE.
B. SOIL AMENDMENTS AND FERTILIZERS SHOULD BE RESEARCHED AND BASED ON THE SOILS IN THE AREA.
C. BEFORE INSTALLATION, SUBMIT DOCUMENTATION THAT PLANT MATERIALS ARE AVAILABLE AND HAVE BEEN RESERVED. FOR ANY PLANT MATERIAL NOT AVAILABLE, SUBMIT REQUEST FOR SUBSTITUTION.

1.6 JOB CONDITIONS, DELIVERY, STORAGE AND HANDLING

- A. GENERAL CONTRACTOR TO COMPLETE WORK BEFORE LANDSCAPE CONTRACTOR TO COMMENCE.
B. ALL PLANTING BED AREAS SHALL BE LEFT THREE INCHES BELOW FINAL GRADE OF SIDEWALKS, DRIVES AND CURBS. ALL AREAS TO RECEIVE SOLID SOD SHALL BE LEFT ONE INCH BELOW THE FINAL GRADE OF WALKS, DRIVES AND CURBS. CONSTRUCTION DEBRIS SHALL BE REMOVED PRIOR TO LANDSCAPE CONTRACTOR BEGINNING WORK.
C. STORAGE OF MATERIALS AND EQUIPMENT AT THE JOB SITE WILL BE AT THE RISK OF THE LANDSCAPE CONTRACTOR. THE OWNER CANNOT BE HELD RESPONSIBLE FOR THEFT OR DAMAGE.

1.7 SEQUENCING

- A. INSTALL TREES, SHRUBS, AND LINER STOCK PLANT MATERIALS PRIOR TO INSTALLATION OF LAWN/SOLID SOD.
B. WHERE EXISTING TURF AREAS ARE BEING CONVERTED TO PLANTING BEDS, THE TURF SHALL BE CHEMICALLY ERADICATED TO MINIMIZE RE-GROWTH IN THE FUTURE. AREAS SHALL BE PROPERLY PREPARED WITH AMENDED ORGANIC MATTER.

1.8 MAINTENANCE AND GUARANTEE

MAINTENANCE:

- A. THE LANDSCAPE CONTRACTOR SHALL BE HELD RESPONSIBLE FOR THE MAINTENANCE OF ALL WORK FROM THE TIME OF PLANTING UNTIL FINAL ACCEPTANCE BY OWNER.
B. NO TREES, GRASS, GROUND COVER OR GRASS WILL BE ACCEPTED UNLESS THEY SHOW HEALTHY GROWTH AND SATISFACTORY FOLIAGE CONDITIONS.
C. MAINTENANCE SHALL INCLUDE WATERING OF TREES AND PLANTS, CULTIVATION, WEED SPRAYING, EDGING, PRUNING OF TREES, MOWING OF GRASS, CLEANING UP AND ALL OTHER WORK NECESSARY FOR MAINTENANCE.

- D. A WRITTEN NOTICE REQUESTING FINAL INSPECTION AND ACCEPTANCE SHOULD BE SUBMITTED TO THE OWNER AT LEAST 7 DAYS PRIOR TO COMPLETION. AN ON SITE INSPECTION BY THE OWNER'S AUTHORIZED REPRESENTATIVE WILL BE COMPLETED PRIOR TO WRITTEN ACCEPTANCE.
E. NOTIFY OWNER OR OWNER'S REPRESENTATIVE SEVEN DAYS PRIOR TO THE EXPIRATION OF THE WARRANTY PERIOD.

- F. REMOVE DEAD, UNHEALTHY AND UNSIGHTLY PLANTS DURING WARRANTY PERIOD.
G. REMOVE GLUING AND STAKING MATERIALS AFTER ONE YEAR.

- H. ALL LANDSCAPE MUST BE MAINTAINED AND GRASS MOVED/EDGED ON A WEEKLY SCHEDULE UNTIL ACCEPTANCE BY OWNER. REMOVE CLIPPINGS AND DEBRIS FROM SITE PROMPTLY.
I. REMOVE TRASH, DEBRIS, AND LITTER, WATER, PRUNE, RESTAKE TREES, FERTILIZE, WEED AND APPLY HERBICIDES AND FUNGICIDES AS REQUIRED.

- J. COORDINATE THE OPERATION OF IRRIGATION SYSTEM TO ENSURE THAT PLANTS ARE ADEQUATELY WATERED. HAND WATER AREAS NOT RECEIVING ADEQUATE WATER FROM AN IRRIGATION SYSTEM.
K. THE LANDSCAPE CONTRACTOR SHALL MAINTAIN THE IRRIGATION SYSTEM IN ACCORDANCE TO THE MAINTENANCE SERVICE TO ENSURE THE SYSTEM IS IN PROPER WORKING ORDER WITH SCHEDULING ADJUSTMENTS BY SEASON TO MAXIMIZE WATER CONSERVATION.

- L. REAPPLY MULCH TO BARE AND THIN AREAS.
M. SHOULD SEEDS AND/OR SODDED AREAS NOT BE COVERED BY AN AUTOMATIC IRRIGATION SYSTEM, THE LANDSCAPE CONTRACTOR SHALL BE RESPONSIBLE FOR WATERING THESE AREAS AND OBTAINING A FULL, HEALTHY STAND OF GRASS AT NO ADDITIONAL COST TO THE OWNER.

- N. TO ACHIEVE FINAL ACCEPTANCE AT THE END OF THE MAINTENANCE PERIOD, ALL OF THE FOLLOWING CONDITIONS MUST OCCUR:
a. THE LANDSCAPE SHALL SHOW ACTIVE, HEALTHY GROWTH (WITH EXCEPTIONS MADE FOR SEASONAL DORMANCY). ALL PLANTS NOT MEETING THIS CONDITION SHALL BE REJECTED AND REPLACED BY HEALTHY PLANT MATERIAL PRIOR TO FINAL ACCEPTANCE.

- b. ALL LANDSCAPE SHALL BE CLEANED PRIOR TO FINAL ACCEPTANCE.
c. SODDED AREAS MUST BE ACTIVELY GROWING AND MUST REACH A MINIMUM HEIGHT OF 1 1/2 INCHES BEFORE FIRST MOWING. HYDROMULCHED AREAS SHALL SHOW ACTIVE, HEALTHY GROWTH. BARE AREAS LARGER THAN TWELVE SQUARE INCHES MUST BE RESEED OR RESEDED (AS APPROPRIATE) PRIOR TO FINAL ACCEPTANCE. ALL SODDED TURF SHALL BE NEATLY MOWED.

GUARANTEE:

- A. TREES, SHRUBS, GROUND COVER SHALL BE GUARANTEED (IN WRITING) FOR A 12 MONTH PERIOD (90 DAYS FOR ANNUAL PLANTING OR AT THE END OF THE SEASONAL COLOR GROWING SEASON, WHICHEVER COMES SOONER) AFTER FINAL ACCEPTANCE. THE CONTRACTOR SHALL REPLACE ALL DEAD MATERIALS AS SOON AS WEATHER PERMITS AND UPON NOTIFICATION OF THE OWNER.
B. PLANTS INCLUDING TREES, WHICH HAVE PARTIALLY DIED SO THAT SHAPE, SIZE OR SYMMETRY HAVE BEEN DAMAGED SHALL BE CONSIDERED SUBJECT TO REPLACEMENT. IN SUCH CASES, THE OPINION OF THE OWNER SHALL BE FINAL.

- C. PLANTS USED FOR REPLACEMENT SHALL BE OF THE SAME SIZE AND KIND AS THOSE ORIGINALLY PLANTED OR SPECIFIED. ALL WORK INCLUDING MATERIALS, LABOR AND EQUIPMENT USED IN REPLACEMENTS SHALL CARRY A 12 MONTH GUARANTEE. ANY DAMAGE INCLUDING RUIN IN LAWN OR BED AREAS INCURRED AS A RESULT OF MAKING REPLACEMENTS SHALL BE IMMEDIATELY REPAIRED.
D. WHEN PLANT REPLACEMENTS ARE MADE, PLANTS, SOIL MIX, FERTILIZER AND MULCH ARE TO BE UTILIZED AS ORIGINALLY SPECIFIED AND RE-INSPECTED FOR FULL COMPLIANCE WITH THE CONTRACT REQUIREMENTS. ALL REPLACEMENTS ARE INCLUDED UNDER WORK OF THIS SECTION.

- E. THE OWNER AGREES THAT FOR THE ONE YEAR WARRANTY PERIOD TO BE EFFECTIVE, HE WILL WATER PLANTS AT LEAST TWICE A WEEK DURING DRY PERIODS.
F. THE ABOVE GUARANTEE SHALL NOT APPLY WHERE PLANTS DIE AFTER ACCEPTANCE BECAUSE OF DAMAGE DUE TO ACTS OF GOD, VANDALISM, INSECTS, DISEASE, INJURY BY HUMANS, MACHINES, THEFT OR NEGLIGENCE BY OWNER.

- G. ACCEPTANCE FOR ALL LANDSCAPE WORK SHALL BE GIVEN AFTER FINAL INSPECTION BY THE OWNER PROVIDED THE JOB IS IN A COMPLETE, UNDAMAGED CONDITION AND THERE IS A STAND OF GRASS IN ALL LAWN AREAS. AT THAT TIME, THE OWNER WILL ASSUME MAINTENANCE ON THE ACCEPTED WORK.

1.9 QUALITY ASSURANCE

- A. COMPLY WITH ALL FEDERAL, STATE, COUNTY AND LOCAL REGULATIONS GOVERNING LANDSCAPE MATERIALS AND WORK.
B. EMPLOY PERSONNEL EXPERIENCED AND FAMILIAR WITH THE REQUIRED WORK AND SUPERVISION

BY A FOREMAN

- C. MAKE CONTACT WITH SUPPLIERS IMMEDIATELY UPON OBTAINING NOTICE OF CONTRACT ACCEPTANCE TO FURNISH AND BOOK MATERIALS.
D. DEVELOP A PROGRAM OF MAINTENANCE (PRUNING AND FERTILIZATION) WHICH WILL ENSURE THE PURCHASED MATERIALS WILL MEET AND/OR EXCEED PROJECT SPECIFICATIONS.
E. DO NOT MAKE PLANT MATERIAL SUBSTITUTIONS. IF THE LANDSCAPE MATERIAL SPECIFIED IS NOT READILY AVAILABLE, SUBMIT PROOF TO LANDSCAPE ARCHITECT ALONG WITH THE PROPOSED MATERIAL TO BE USED IN LIEU OF THE SPECIFIED PLANT.

- F. AT THE TIME BIDS ARE SUBMITTED, THE CONTRACTOR IS ASSUMED TO HAVE LOCATED THE MATERIALS NECESSARY TO COMPLETE THE JOB AS SPECIFIED.
G. OWNER'S REPRESENTATIVE SHALL INSPECT ALL PLANT MATERIAL AND RETAINS THE RIGHT TO INSPECT MATERIALS UPON ARRIVAL TO THE SITE AND DURING INSTALLATION. THE OWNER'S REPRESENTATIVE MAY ALSO REJECT ANY MATERIALS BEING HELD TO BE UNSATISFACTORY OR DEFECTIVE DURING THE WORK PROCESS. ALL PLANTS DAMAGED IN TRANSIT OR AT THE JOB SITE SHALL BE REJECTED.

1.10 PRODUCT DELIVERY, STORAGE AND HANDLING

- A. PREPARATION
1. BALLEED AND BURLAPPED B&B PLANTS: DIG AND PREPARE SHIPMENT IN A MANNER THAT WILL NOT DAMAGE ROOTS, BRANCHES, SHAPE AND FUTURE DEVELOPMENT.
2. CONTAINER-GROWN PLANTS: DELIVER PLANTS IN RIGID CONTAINER TO HOLD BALL SHAPE AND PROTECT ROOT MASS.

- B. DELIVERY
1. DELIVER PACKAGED MATERIALS IN SEALED CONTAINERS SHOWING WEIGHT, ANALYSIS AND NAME OF MANUFACTURER. PROTECT MATERIALS FROM DETRIORATION DURING DELIVERY AND WHILE STORED ON SITE.
2. DELIVER ONLY PLANT MATERIALS THAT CAN BE PLANTED IN ONE DAY UNLESS ADEQUATE STORAGE AND WATERING FACILITIES ARE AVAILABLE ON SITE.

- 3. PROTECT ROOT BALLS BY HEELING IN WITH SAWDUST OR OTHER APPROVED MOISTURE RETAINING MATERIAL. IF NOT PLANTED WITHIN 24 HOURS OF DELIVERY.
4. PROTECT PLANTS DURING DELIVERY TO PREVENT DAMAGE TO ROOT BALL OR DESICCATION OF LEAVES.

- 5. KEEP PLANTS MOIST AT ALL TIMES. COVER ALL MATERIALS DURING TRANSPORT.
6. NOTIFY OWNER'S REPRESENTATIVE OF DELIVERY 24 HOURS PRIOR TO DELIVERY OF PLANT MATERIAL AT JOB SITE.
7. REMOVE REJECTED PLANT MATERIAL IMMEDIATELY FROM JOB SITE.
8. TO AVOID DAMAGE OR STRESS, DO NOT LIFT, MOVE, ADJUST TO PLUMB, OR OTHERWISE MANIPULATE PLANTS BY TRUNK OR STEMS.

PART 2 - PRODUCTS

2.1 PLANT MATERIALS

- A. GENERAL: WELL FORMED NO. 1 GRADE OR BETTER NURSERY GROWN STOCK LISTED PLANT HEIGHTS ARE FROM TOPS OF FOOT BALLS TO NORMAL TOPS OF PLANTS. PLANT SPREAD REFERS TO NORMAL OUTER DIRT, NOT THE OUTER LEAF TIPS. PLANTS SHALL BE INDIVIDUALLY INSPECTED BY THE OWNER'S REPRESENTATIVE AND THEIR DECISION AS TO THEIR ACCEPTABILITY SHALL BE FINAL.

- B. QUANTITIES, THE BRANINGS AND SPECIFICATIONS ARE COMPLEMENTARY. ANYTHING CALLED FOR ON ONE AND NOT THE OTHER IS AS BINDING AS IF SHOWN AND CALLED FOR ON BOTH. THE PLANT SCHEDULE IS AS AN AD TO BIDDERS ONLY. CONFIRM ALL QUANTITIES ON PLAN.
C. QUANTITIES AND SIZE: PLANT MATERIALS SHALL CONFORM TO THE SIZE GIVEN ON THE PLAN AND SHALL BE HEALTHY, WELL SHAPED, FULL BRANCHED AND WELL ROOTED. SYMMETRY IS ALSO IMPERATIVE. PLANTS SHALL BE FREE FROM INSECTS, INJURY, DISEASE, BROKEN BRANCHES, DISFOLIATIONS, INSECT EGGS AND ARE TO BE OF SPECIMEN QUALITY.

- D. APPROVAL: ALL PLANTS WHICH ARE FOUND UNSUITABLE IN GROWTH OR ARE UNHEALTHY, BADLY SHAPED OR UNDERSIZED WILL BE REJECTED BY THE OWNER'S REPRESENTATIVE EITHER BEFORE OR AFTER PLANTING, AND SHALL BE REMOVED AT THE EXPENSE OF THE LANDSCAPE CONTRACTOR AND REPLACED WITH ACCEPTABLE SPECIMENS.
E. TREES SHALL BE HEALTHY, FULL BRANCHED, WELL SHAPED AND SHALL MEET THE MINIMUM REQUIREMENTS AS SPECIFIED ON THE PLANT SCHEDULE. ALL TREES SHALL BE OBTAINED FROM SOURCES WITHIN 200 MILES OF THE PROJECT SITE IF POSSIBLE, AND WITH SIMILAR CLIMATIC CONDITIONS.

- F. PRUNING: ALL PRUNING OF TREES AND SHRUBS SHALL BE EXECUTED BY THE LANDSCAPE CONTRACTOR AT NO ADDITIONAL COST TO THE OWNER, PRIOR TO FINAL ACCEPTANCE.
G. PLANTS SHALL CONFORM TO THE MEASUREMENTS SPECIFIED, EXCEPT THE PLANTS LARGER THAN THOSE SPECIFIED MAY BE USED. USE OF LARGER PLANTS SHALL NOT INCREASE THE CONTRACT PRICE.

- H. WHERE MATERIALS ARE PLANTED IN MASSES, PROVIDE PLANTS OF UNIFORM SIZE.
I. ROOT SYSTEMS SHALL BE HEALTHY, DENSELY BRANCHED, FIBROUS, ROOT SYSTEMS, NON-POT-BOUND, FREE FROM ENCIRCLING AND/OR GIRDLING ROOTS, AND FREE FROM ANY OTHER ROOT DEFECTS (SUCH AS SHIPPED ROOTS).
J. ALL TREES SHALL BE STANDARD IN FORM, UNLESS OTHERWISE SPECIFIED. TREES WITH CENTRAL LEADERS WILL NOT BE ACCEPTED IF LEADER IS DAMAGED OR REMOVED. PRUNE ALL DAMAGED TWIGS AFTER PLANTING.

- K. TREE TRUNKS TO BE STURDY, EXHIBIT HARDENED SYSTEMS AND VIGOROUS AND FIBROUS ROOT SYSTEMS, NOT ROOT OR POT BOUND.
L. TREES WITH DAMAGED OR CROOKED LEADERS, BARK ABRASIONS, SUNSCALD, DISFIGURING KNOTS, OR INSECT DAMAGE WILL BE REJECTED.

- M. CALIPER MEASUREMENTS FOR STANDARD (SINGLE TRUNK) TREES SHALL BE AS FOLLOWS: SIX INCHES ABOVE THE ROOT FLARE FOR TREES UP TO AND INCLUDING FOUR INCHES IN CALIPER, AND TWELVE INCHES ABOVE THE ROOT FLARE FOR TREES EXCEEDING FOUR INCHES IN CALIPER.
N. MULTI-TRUNK TREES SHALL BE MEASURED BY THEIR OVERALL HEIGHT, MEASURED FROM THE TOP OF THE ROOT BALL.
O. ANY TREE OR SHRUB SHOWN TO HAVE EXCESS SOIL PLACED ON TOP OF THE ROOT BALL, SO THAT THE ROOT FLARE HAS BEEN COMPLETELY COVERED, SHALL BE REJECTED.

- P. SOD: PROVIDE WELL-ROOTED SOD OF THE VARIETY NOTED ON THE PLANS. SOD SHALL BE CUT FROM HEALTHY, MATURE TURF WITH SOIL THICKNESS OF 1/4". EACH PALLET OF SOD SHALL BE ACCOMPANIED BY A CERTIFICATE FROM SUPPLIER STATING THE COMPOSITION OF THE SOD.

- 2.2 SOIL PREPARATION MATERIALS
A. SANDY LOAM:
1. FRAGILE, FERTILE, DARK, LOAMY SOIL, FREE OF CLAY LUMPS, SUBSOIL, STONES AND OTHER EXTRANEOUS MATERIAL AND REASONABLY FREE OF WEEDS AND FOREIGN GRASSES. LOAM CONTAINING DALLASGRASS OR NITROGRASS SHALL BE REJECTED.
2. PHYSICAL PROPERTIES AS FOLLOWS:
a. CLAY - BETWEEN 7-27%
b. SILT - BETWEEN 15-25%
c. SAND - LESS THAN 52%
3. ORGANIC MATTER SHALL BE 3%-10% OF TOTAL DRY WEIGHT.
4. IF REQUESTED, LANDSCAPE CONTRACTOR SHALL PROVIDE A CERTIFIED SOIL ANALYSIS CONDUCTED BY AN APPROVED SOIL TESTING LABORATORY VERIFYING THAT SANDY LOAM MEETS THE ABOVE REQUIREMENTS.

- B. ORGANIC MATERIAL: COMPOST WITH A MIXTURE OF 80% VEGETATIVE MATTER AND 20% ANIMAL WASTE. INGREDIENTS SHOULD BE A MIX OF COARSE AND FINE TEXTURED MATERIAL.
C. PRIMKED BEDDING SOIL AS SUPPLIED BY VITAL EARTH RESOURCES, GLADEWATER, TEXAS. PROFESSIONAL BEDDING SOIL AS SUPPLIED BY LIVING EARTH TECHNOLOGY, DALLAS, TEXAS OR ACID GRO MUNICIPAL MIX AS SUPPLIED BY SOIL BUILDING SYSTEMS, DALLAS, TEXAS OR APPROVED EQUAL.
D. SHARP SAND: SHARP SAND MUST BE FREE OF SEEDS, SOIL PARTICLES AND WEEDS.

- E. MULCH: DOUBLE SHREDDED HARDWOOD MULCH, PARTIALLY DECOMPOSED, DARK BROWN.
F. ORGANIC FERTILIZER: FERTILIZED, SUSTAIN, OR GREEN SENSE OR EQUAL AS RECOMMENDED FOR REQUIRED APPLICATIONS. FERTILIZER SHALL BE DELIVERED TO THE SITE IN ORIGINAL, UNOPENED CONTAINERS, EACH BEARING THE MANUFACTURER'S GUARANTEED STATEMENT OF ANALYSIS.
G. COMMERCIAL FERTILIZER: 10-20-10 OR SIMILAR ANALYSIS. NITROGEN SOURCE TO BE A MINIMUM 50% SLOW RELEASE ORGANIC NITROGEN (ISCU OR UR) WITH A MINIMUM 8% SULFUR AND 4% IRON, PLUS MICRONUTRIENTS.

- H. PEAT: COMMERCIAL SPHAGNUM PEAT MOSS OR PARTIALLY DECOMPOSED SHREDDED PINE BARK OR OTHER APPROVED ORGANIC MATERIAL.

2.3 MISCELLANEOUS MATERIALS

- A. STEEL EDGING - SHALL BE 3/16" X 4" X 16' DARK GREEN LANDSCAPE EDGING DURAEDGE STEEL OR APPROVED EQUAL.
B. TREE STAKES - TREE STAKING SOLUTIONS OR APPROVED SUBSTITUTE. REFER TO DETAILS.
C. FILTER FABRIC - MIRAFI 1405 BY MIRAFI INC. OR APPROVED SUBSTITUTE, AVAILABLE AT LONE STAR PRODUCTS, INC. (469-523-0344)

- D. SAND - UNIFORMLY GRADED, WASHED, CLEAN, BANK RUNS SAND.
E. GRAVEL - WASHED NATIVE PEA GRAVEL, GRADES 1 TO 1 1/2".
F. DECOMPOSED GRANITE - BASE MATERIAL OF NATURAL MATERIAL MIX OF GRANITE AGGREGATE NOT TO EXCEED 1/8" IN DIAMETER COMPOSED OF VARIOUS STAGES OF DECOMPOSED EARTH BASE.

- G. RIVER ROCK - LOCALLY AVAILABLE NATIVE RIVER ROCK BETWEEN 2"-4" IN DIAMETER.
H. PRE-EMERGENT HERBICIDES: ANY GRANULAR, NON-STAINING PRE-EMERGENT HERBICIDE THAT IS LABELED FOR THE SPECIFIC ORNAMENTALS OR TURF ON WHICH IT WILL BE UTILIZED. PRE-EMERGENT HERBICIDES SHALL BE APPLIED PER THE MANUFACTURER'S LABELED RATES.

PART 3 - EXECUTION

3.1 PREPARATION

- A. LANDSCAPE CONTRACTOR TO INSPECT ALL EXISTING CONDITIONS AND REPORT ANY DEFICIENCIES TO THE OWNER.
B. ALL PLANTING AREAS SHALL BE CONDITIONED AS FOLLOWS:
1. PREPARE NEW PLANTING BEDS BY SCRAPING AWAY EXISTING GRASS AND WEEDS AS NECESSARY. TILL EXISTING SOIL TO A DEPTH OF SIX (6") INCHES PRIOR TO PLACING COMPOST AND FERTILIZER. APPLY FERTILIZER AS PER MANUFACTURER'S RECOMMENDATIONS. ADD SIX (6") INCHES OF COMPOST AND TILL INTO A DEPTH OF SIX (6") INCHES OF SPECIFIED MULCH (SETTLED THICKNESS).
2. BACKFILL FOR TREE FITS SHALL BE AS FOLLOWS: USE EXISTING TOP SOIL ON SITE (USE IMPORTED TOPSOIL AS NEEDED) FREE FROM LARGE CLUMPS, ROCKS, DEBRIS, CALCICHE, SUBSOILS, ETC., PLACED IN NINE (9") INCH LAYERS AND WATERED IN THOROUGHLY.

3.2 INSTALLATION

- A. MAINTENANCE OF PLANT MATERIALS SHALL BEGIN IMMEDIATELY AFTER EACH PLANT IS DELIVERED TO THE SITE AND SHALL CONTINUE UNTIL ALL CONSTRUCTION HAS BEEN SATISFACTORYLY ACCOMPLISHED.
B. PLANT MATERIALS SHALL BE DELIVERED TO THE SITE ONLY AFTER THE BEDS ARE PREPARED AND AREAS ARE READY FOR PLANTING. ALL SHIPMENTS OF NURSERY MATERIALS SHALL BE THOROUGHLY PROTECTED FROM THE WIND DURING TRANSPORT. ALL PLANTS WHICH CANNOT BE PLANTED AT ONCE, AFTER DELIVERY TO THE SITE, SHALL BE PROTECTED AGAINST THE POSSIBILITY OF DRYING BY WIND AND BALLS OF PARTS OF B & B PLANTS SHALL BE KEPT COVERED WITH SOIL OR OTHER ACCEPTABLE MATERIAL. ALL PLANTS REMAIN THE PROPERTY OF THE CONTRACTOR UNTIL FINAL ACCEPTANCE.

- C. ROOTING THE TREES AND SHRUBS IN THEIR INTENDED LOCATION AS PER PLAN.
D. NOTIFY THE OWNER'S AUTHORIZED REPRESENTATIVE FOR INSPECTION AND APPROVAL OF ALL POSITIONING OF PLANT MATERIALS.
E. EXCAVATE PITS WITH VERTICAL SIDES AND HORIZONTAL BOTTOM. TREE PITS SHALL BE LARGE ENOUGH TO PERMIT HANDLING AND PLANTING WITHOUT INJURY TO BALLS OF EARTH OR ROOTS AND SHALL BE OF SUCH DEPTH THAT WHEN PLANTED AND SETTLED, THE CROWN OF THE PLANT SHALL BEAR THE SAME RELATIONSHIP TO THE FINISH GRADE AS IT DID TO SOIL SURFACE IN ORIGINAL PLACE OF GROWTH. THE SIDES OF THE HOLE SHOULD BE ROUGH AND JOGGED.

- F. SHRUB AND TREE PITS SHALL BE NO LESS THAN TWENTY-FOUR (24") INCHES WIDER THAN THE LATERAL DIMENSION OF THE EARTH BALL AND SIX (6") INCHES DEEPER THAN ITS VERTICAL DIMENSION. REMOVE AND HAUL FROM SITE ALL ROCKS AND STONES OR THREE-QUARTER (3/4") INCH IN DIAMETER. PLANTS SHOULD BE THOROUGHLY MOIST BEFORE REMOVING CONTAINERS.
G. AFTER PLANTING, TEST FILL THE HOLE WITH WATER. IF THE WATER LEVEL DOES NOT PERCOLATE WITHIN 24 HOURS, THE TREE NEEDS TO MOVE TO ANOTHER LOCATION OR HAVE DRAINAGE ADDED. INSTALL A PVC STAND PIPE PER TREE IF THE PERCOLATION TEST FAILS.

- H. BACKFILL ONLY WITH 5 PLANTS EXISTING SOIL OR SANDY LOAM AND 1 PART BED PREPARATION. WHEN THE HOLE IS DUG IN SOLID ROCK, TOPSOIL FROM THE SAME AREA SHOULD NOT BE USED. CAREFULLY SETTLE BY WATERING TO PREVENT AIR POCKETS. REMOVE THE BURLAP FROM THE TOP 1/2 OF THE BALL, AS WELL AS ALL NYLON, PLASTIC STRAPS AND WIRE. CONTAINER TREES WILL USUALLY BE ROOT BOUND; IF SO FOLLOW STANDARD NURSERY PRACTICE OF "ROOT SCORING".
I. DO NOT WRAP TREES.
J. DO NOT OVER PRUNE.
K. REMOVE NURSERY TAGS AND STAKES FROM ALL PLANTS.

- L. REMOVE BOTTOM OF PLANT BOXES PRIOR TO PLACING PLANTS. REMOVE SIDES AFTER PLACEMENT AND PARTIAL BACKFILLING.
M. REMOVE UPPER THIRD OF BURLAP FROM BALLEED AND BURLAPPED TREES AFTER PLACEMENT.
N. PLACE PLANT UPRIGHT AND PLUMB IN CENTER OF HOLE. ORIENT PLANTS FOR BEST APPEARANCE.

- O. MULCH THE TOP OF THE BALL. DO NOT PLANT GRASS ALL THE WAY TO THE TRUNK OF THE TREE. LEAVE THE AREA ABOVE THE TOP OF THE BALL AND MULCH WITH AT LEAST TWO (2") INCHES OF MULCH.
P. ALL PLANT BEDS AND TREES TO BE MULCHED WITH A MINIMUM SETTLED THICKNESS OF TWO (2") INCHES OVER THE ENTIRE BED OR PIT.

- Q. EXCAVATION WORK OR OBSTRUCTIONS ARE ENCOUNTERED IN ANY PLANT PIT EXCAVATION WORK TO BE DONE UNDER THIS SECTION, ALTERNATE LOCATIONS MAY BE SELECTED BY THE OWNER, WHERE LOCATIONS CANNOT BE CHANGED, THE OBSTRUCTION SHALL BE REMOVED TO A DEPTH OF NOT LESS THAN THREE (3") FEET BELOW GRADE AND NO LESS THAN SIX (6") INCHES BELOW THE BOTTOM OF BALL WHEN PLANT IS PROPERLY SET AT THE REQUIRED GRADE. THE WORK OF THIS SECTION SHALL INCLUDE THE REMOVAL OF THE SITE OF SUCH ROCK OR UNDERGROUND OBSTRUCTIONS ENCOUNTERED AT THE COST OF THE LANDSCAPE CONTRACTOR.

- R. TREES AND LARGE SHRUBS SHALL BE STAKED AS SITE CONDITIONS REQUIRE. POSITION STAKES TO SECURE TREES AGAINST SEASONAL PREVAILING WINDS.
S. PRUNING AND MULCHING: PRUNING SHALL BE DIRECTED BY THE LANDSCAPE ARCHITECT AND SHALL BE PRUNED IN ACCORDANCE WITH STANDARD HORTICULTURAL PRACTICE FOLLOWING FINE PRUNING, CLASS I PRUNING STANDARDS PROVIDED BY THE NATIONAL ARBORIST ASSOCIATION.

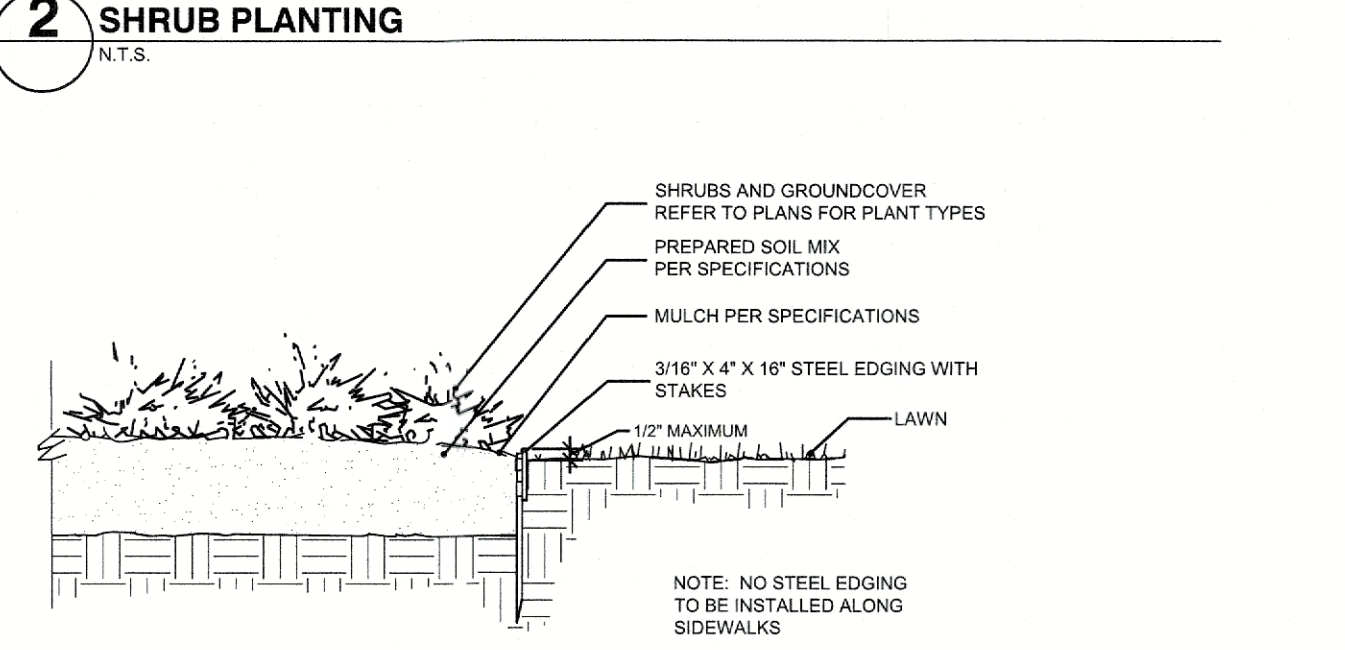
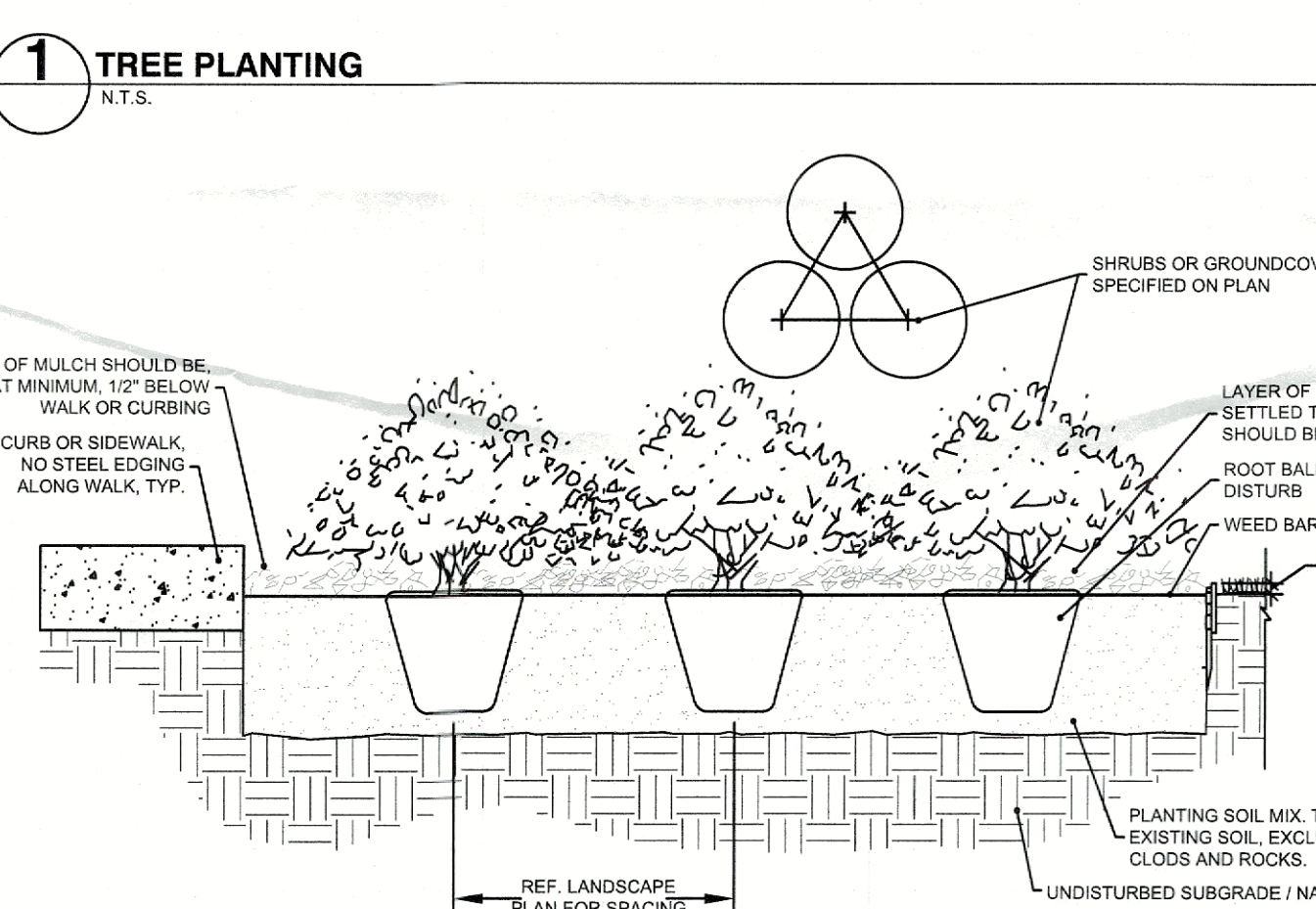
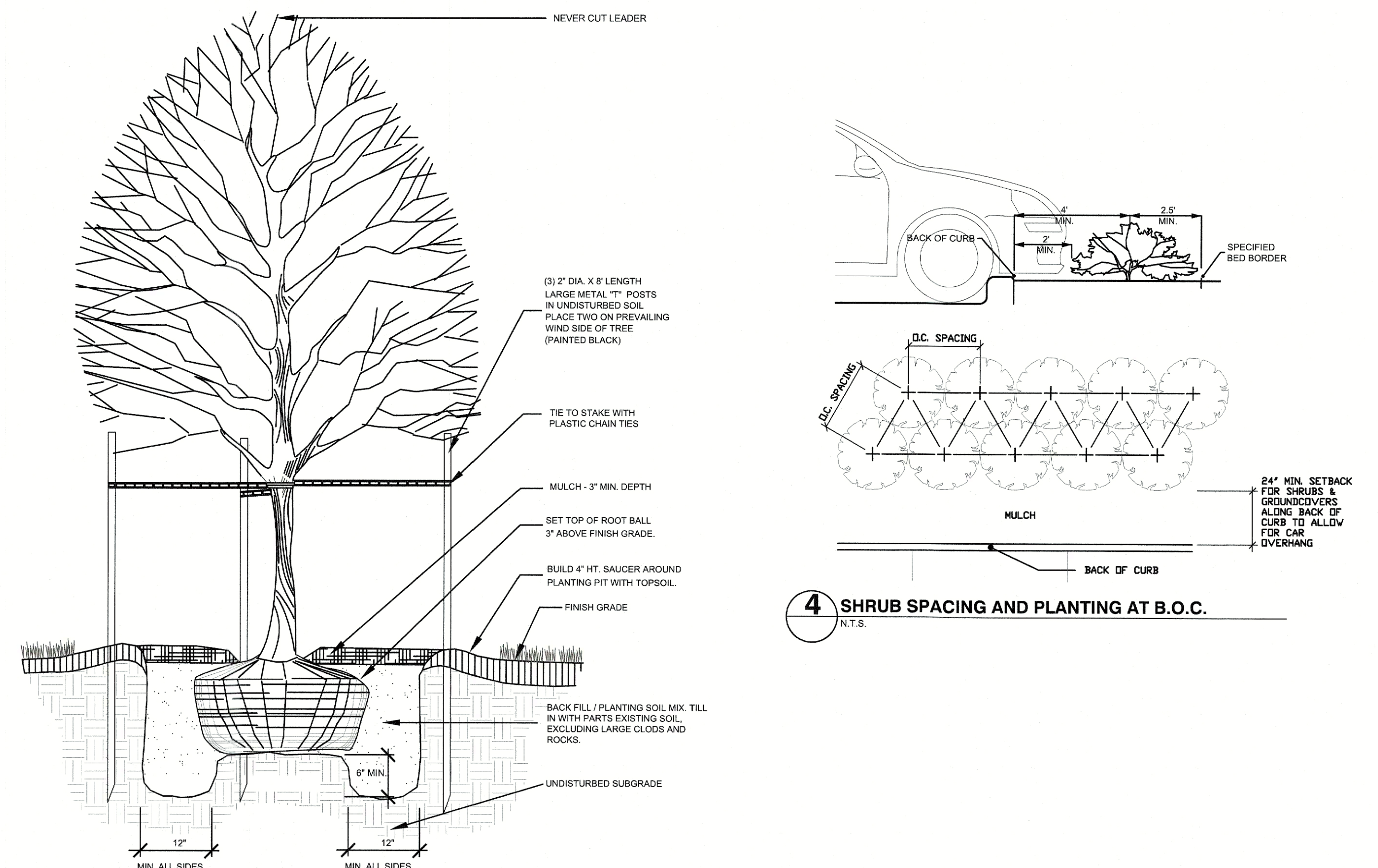
- 1. DEAD WOOD, SUCKERS, BROKEN AND BADLY BRUISED BRANCHES SHALL BE REMOVED. GENERAL TIPPING OF THE BRANCHES IS NOT PERMITTED. DO NOT CUT TERMINAL BRANCHES.
2. PRUNING SHALL BE DONE WITH CLEAN, SHARP TOOLS.
3. IMMEDIATELY AFTER PLANTING OPERATIONS ARE COMPLETED, ALL TREE PITS SHALL BE COVERED WITH A LAYER OF ORGANIC MATERIAL, TWO (2") INCHES IN DEPTH. THIS LIMIT OF THE ORGANIC MATERIAL FOR TREES SHALL BE THE DIAMETER OF THE PLANT PIT.

- C. STEEL EDGE INSTALLATION: EDGE SHALL BE ALIGNED AS INDICATED ON PLANS. STAKE OUT LIMITS OF STEEL CURBING AND OBTAIN OWNER'S APPROVAL PRIOR TO INSTALLATION.
1. ALL STEEL CURBING SHALL BE FREE OF KINKS AND ABRUPT BENDS.
2. TOP OF EDGING SHALL BE 1/2" MAXIMUM HEIGHT ABOVE FINAL FINISHED GRADE.
3. STAKES ARE TO BE INSTALLED ON THE PLANTING BED SIDE OF THE CURBING, AS OPPOSED TO THE GRASS SIDE.
4. DO NOT INSTALL STEEL EDGING ALONG SIDEWALKS OR CURBS.
5. CUT STEEL EDGING AT 45 DEGREE ANGLE WHERE EDGING MEETS SIDEWALKS OR CURBS.

- 3.3 CLEANUP AND ACCEPTANCE
A. CLEANUP: DURING THE WORK, THE PREMISES SHALL BE KEPT NEAT AND ORDERLY AT ALL TIMES. STORAGE AREAS FOR ALL MATERIALS SHALL BE SO ORGANIZED SO THAT THEY, TOO, ARE NEAT AND ORDERLY. ALL TRASH AND DEBRIS SHALL BE REMOVED FROM THE SITE AS WORK PROGRESSES. KEEP PAVED AREAS CLEAN BY SWEEPING OR HOSEING THEM AT END OF EACH WORK DAY.
B. REPAIR RUTS, HOLES AND SCARES IN GROUND SURFACES.
C. ENSURE THAT WORK IS COMPLETE AND PLANT MATERIALS ARE IN VIGOROUS AND HEALTHY GROWING CONDITION.
D. UPON COMPLETION OF THE WORK, THE LANDSCAPE CONTRACTOR SHALL PROVIDE THE SITE CLEAN, FREE OF DEBRIS AND TRASH, AND SUITABLE FOR USE AS INTENDED. THE LANDSCAPE CONTRACTOR SHALL THEN REQUEST AN INSPECTION BY THE OWNER TO DETERMINE FINAL ACCEPTABILITY.

- E. WHEN IF THE INSPECTED PLANTING WORK DOES NOT COMPLY WITH THE CONTRACT DOCUMENTS, THE LANDSCAPE CONTRACTOR SHALL REPLACE AND/OR REPAIR THE REJECTED WORK TO THE OWNER'S SATISFACTION WITHIN 24 HOURS.
F. THE LANDSCAPE MAINTENANCE PERIOD WILL NOT COMMENCE UNTIL THE LANDSCAPE WORK HAS BEEN RE-INSPECTED BY THE OWNER AND FOUND TO BE ACCEPTABLE. AT THAT TIME A WRITTEN NOTICE OF FINAL ACCEPTANCE WILL BE ISSUED BY THE OWNER, AND THE MAINTENANCE AND GUARANTEE PERIODS WILL COMMENCE.

- END OF SECTION



4 SHRUB SPACING AND PLANTING AT B.O.C. N.T.S.

1 TREE PLANTING N.T.S.

2 SHRUB PLANTING N.T.S.

3 STEEL EDGING DETAIL N.T.S.

L1.05 LANDSCAPE SPECIFICATIONS AND DETAILS

AMERISPORTS PARKING EXPANSION
BEING 6.377 ACRES OF LAND
DESCRIBED IN A PLAT AS LOT 5, BLOCK B, FIT SPORT LIFE ADDITION
RECORDED IN INSTRUMENT NO. 2022000003843,
OFFICIAL PUBLIC RECORDS, ROCKWALL COUNTY, TEXAS
LOCATED IN THE ROBERT BOYD IRVINE SURVEY, ABSTRACT NO. 120
ROCKWALL COUNTY, TEXAS
CASE NO. XXXX

EXISTING ZONING: COMMERCIAL (SPORTS COMPLEX)
PROPOSED LAND USE: COMMERCIAL (SPORTS COMPLEX)

APPROVED:
I hereby certify that the above and foregoing site plan for
development in the City of Rockwall, Texas, was approved by the
Planning & Zoning Director on the 31 day of July
2021.
Director of Planning & Zoning
GOING SITE PLAN FOR A DEVELOPMENT IN THE
THE PLANNING & ZONING COMMISSION OF THE
DIRECTOR OF PLANNING AND ZONING



AWR
AWR Designs, LLC
P.O. Box 1746
Arlington, TX 76010
amanda@awr-designs.com
c. 512.517.5389

SYMBOL	DESCRIPTION	MANUFACTURER	MODEL NO.
	SPRAYS WITH PRO ADJ. NOZZLES	HUNTER	PROS-04-PR330
	NOT SHOWN		
	ROTORS WITH MPR NOZZLES	HUNTER	PGP-04-PRB
	MULTI-STREAM BUBBLERS	HUNTER	PROS-06-PR330 W/ MSBN50H NOZZLES
	REMOTE CONTROL VALVE	HUNTER	ICV
	2" EXISTING BACKFLOW		
	HDL DRILINE	HUNTER	HDL-06-12-CV
	LINE FLUSHING VALVE	HUNTER	AFV-B
	PRESSURE OPERATOR INDICATOR	HUNTER	ECO-ID
	DRIP CONTROL VALVE	HUNTER	ICZ-101-LF-40

SYMBOL	DESCRIPTION
	2" EXISTING IRRIGATION METER
	EXISTING CONTROLLER, UPDATE CAPACITY AS NEEDED
	ISOLATION VALVE
	LATERAL PIPING REFER TO PLAN CLASS 200 PVC
	MAINLINE PIPING REFER TO PLAN CLASS 200 PVC PIPE, SDR 21 (INSTALL THRUST BLOCKS AND AIR/VACUUM RELIEF VALVES AS NECESSARY TO PROTECT MAINLINE SYSTEM)
	IRRIGATION SLEEVE, SCH. 40 PVC, MIN. TWICE SIZE OF PIPE TO BE INSERTED, ONE SLEEVE PER PIPE
	CONTROL WIRING SLEEVE, 2" SCH. 40 PVC
	VALVE STATION # (WHERE D = DRIP TUBING, S = SPRAY, R = ROTOR, T = TREE DRIP)
	VALVE SIZE
	GPM

NOTE:

- ENTIRE SYSTEM SHALL BE INSTALLED PER TCEQ STANDARDS, MANUFACTURER'S SPECIFICATIONS AND ALL CITY CODES.
- THIS DESIGN IS DIAGRAMMATIC, ALL PIPING, VALVES, AND OTHER EQUIPMENT SHOWN WITHIN PAVED AREAS OR OUT OF PROPERTY BOUNDARIES ARE FOR DESIGN CLARIFICATION ONLY, AND SHALL BE INSTALLED IN PLANTING AREAS WITHIN THE PROPERTY LINES OR LIMITS INDICATED ON PLAN. THE IRRIGATION CONTRACTOR SHALL VERIFY THE LOCATIONS OF ALL ABOVE GROUND IRRIGATION EQUIPMENT WITH THE OWNER'S AUTHORIZED REPRESENTATIVE PRIOR TO INSTALLATION, OR IRRIGATION CONTRACTOR MAY BE REQUIRED TO MOVE SUCH ITEMS AT HIS OWN COST.
- VARIOUS AREAS ON PLAN ARE SHOWING SINGLE HEAD COVERAGE, IF OWNER SHOULD ELECT FOR FULL COVERAGE, CONTRACTOR TO PROCURE THE PROPER PERMITS AND BID ALTERNATE FOR THESE ADDITIONAL SPRAY HEADS, ZONES, AND CONTROLLER EXPANSION FOR THE SYSTEM.
- IRRIGATION CONTRACTOR IS TO COORDINATE LOCATION AND PLACEMENT OF ALL IRRIGATION ITEMS WITH THE GENERAL CONTRACTOR. CONTRACTOR IS TO USE EXTREME CAUTION IN TRENCHING TO AVOID EXISTING AND PROPOSED UTILITIES. CONTRACTOR TO LOCATE ALL UTILITIES PRIOR TO IRRIGATION INSTALLATION.
- IRRIGATION SPRAY NOZZLES TO BE ADJUSTED TO AVOID PAVEMENT, BUILDING, WALLS, FENCES, UTILITIES, EQUIPMENT, SIGNAGE, AND CALL BOX AND ALL PROPOSED PLANT MATERIAL.
- REFERENCE LANDSCAPE PLAN FOR LOCATION OF GRAVEL, STEEL EDGING AND ALL PROPOSED PLANT MATERIAL.
- IN TURF AREAS (BOTH SOD AND HYDROMULCH AREAS) OUTSIDE OF IRRIGATION PERMANENT COVERAGE, CONTRACTOR TO PROVIDE TEMPORARY IRRIGATION UNTIL ESTABLISHED, TYP.
- CONTRACTOR TO TAKE ALL NECESSARY MEASURES TO PREVENT WATER HAMMER AND SYSTEM COLLAPSE BY DISCHARGING AIR DURING STARTUP AND ALLOWING AIR TO ENTER DURING SHUTDOWN. INSTALL THRUST BLOCKS AND AIR/VACUUM RELIEF VALVES AS NECESSARY TO PROTECT MAINLINE SYSTEM. FOR 3 INCH AND LARGER MAINLINE, INSTALL JOINT RESTRAINTS AT TURNS. INSTALL PER MANUFACTURER'S RECOMMENDATIONS.
- ALL MAINLINE PIPING 3 INCHES AND LARGER SHALL BE BELL AND GASKETED CLASS 200 PVC PIPE, SDR 21. INSTALL PER MANUFACTURER'S RECOMMENDATIONS, CONTACT MANUFACTURER OR DISTRIBUTOR FOR PRODUCT DEMONSTRATION.
- GROUP VALVES IN FIELD AS NECESSARY FOR MAINLINE SIZING. CENTER FEED LATERALS WHEN POSSIBLE.

FLOW RANGE GPM	PIPE SIZE
0 - 8 GPM	3/4"
8 - 12 GPM	1"
12 - 22 GPM	1-1/4"
22 - 28 GPM	1-1/2"
28 + GPM	2"

SLEEVING NOTES

- PIPING AND CONTROL WIRES SHALL BE INSTALLED IN SEPARATE SLEEVES UNDER PAVING. REFERENCE DRAWINGS FOR SLEEVE SIZE AND LOCATION.
- SLEEVES SHALL BE FURNISHED AND INSTALLED BY GENERAL CONTRACTOR.
- INSTALLATION OF SLEEVES SHALL BE TWENTY - FOUR (24) BELOW TOP OF PAVEMENT OR FINISHED GRADE.
- SLEEVES SHALL EXTEND ONE (1) FOOT BEYOND EDGE OF ALL PAVEMENT AND STAKED FOR LOCATION.
- ALL SLEEVES SHALL BE SCHEDULE 40 PVC PIPE, CAPPED ON BOTH ENDS AND SIZED AT LEAST TWO TIMES LARGER THAN THE DIAMETER OF THE PIPE INSIDE THE SLEEVE.
- SLEEVE LOCATIONS SHALL BE MARKED ONTO THE CURB WITH A SAWCUT OF TWO PARALLEL LINES THAT ARE TWO (2) INCHES LONG AND ONE (1") APART.
- CONTRACTOR IS RESPONSIBLE FOR THE INSTALLATION OF SLEEVES AND SHALL ALSO BE RESPONSIBLE FOR LOCATING ANY SLEEVE THAT CANNOT BE FOUND DURING THE INSTALLATION OF THE SYSTEM.
- CONTRACTOR SHALL FURNISH OWNER AND IRRIGATION CONTRACTOR WITH AN 'AS-BUILT' DRAWING SHOWING ALL SLEEVE LOCATIONS.

IRRIGATION GENERAL NOTES

- THE IRRIGATION CONTRACTOR SHALL COORDINATE INSTALLATION OF THE IRRIGATION SYSTEM WITH THE LANDSCAPE CONTRACTOR SO THAT ALL PLANT MATERIAL WILL BE WATERED IN ACCORDANCE WITH THE INTENT OF THE PLANS AND SPECIFICATIONS.
- THE CONTRACTOR SHALL BE RESPONSIBLE TO NOTIFY THE IRRIGATION DESIGNER OF SITE CONDITIONS OR ASSUME FULL RESPONSIBILITY FOR ANY AND ALL ON SITE REVISIONS NECESSARY.
- CONTRACTOR TO VERIFY DESIGN AND ITS INTENT TO PROVIDE FULL COVERAGE TO ALL NEW PLANTING MATERIAL.
- NOTIFY IRRIGATION DESIGNER OF ANY LAYOUT DISCREPANCIES PRIOR TO BIDDING.
- LOCATE ALL UTILITIES AND SITE LIGHTING CONDUITS BEFORE IRRIGATION INSTALLATION BEGINS.
- IRRIGATION CONTRACTOR TO PROCURE ALL PERMITS, LICENSES AND GIVE ALL NECESSARY NOTICES THROUGHOUT THE DURATION OF THE PROJECT.
- THE CONTRACTOR SHALL BE A REGISTERED LICENSED IRRIGATOR IN GOOD STANDING WITH THE STATE OF TEXAS BOARDS AND REGULATORS.
- THE CONTRACTOR SHALL BE RESPONSIBLE FOR ANY AND ALL PLANT MATERIAL UPON ACCEPTANCE AND THROUGH THE WARRANTY PERIOD FOR DAMAGE DUE TO IRRIGATION SYSTEM FAILURE.
- ALL ASPECTS OF THE IRRIGATION INSTALLATION SHALL CONFORM WITH THE PROPER GOVERNING AUTHORITIES, CODES AND ORDINANCES.
- SLEEVES SHALL BE FURNISHED AND INSTALLED BY GENERAL CONTRACTOR. SLEEVE MATERIAL SHALL BE SCHEDULE 40, SIZE AS INDICATED ON PLAN. REFER TO SLEEVING NOTES.
- ALL MAIN LINE AND LATERAL LINE PIPING IN PLANTING AND LAWN AREAS SHALL HAVE A MINIMUM OF 12 INCHES OF COVER. ALL PIPING UNDER PAVING SHALL HAVE A MINIMUM OF 18 INCHES OF COVER. CONTRACTOR TO VERIFY LOCAL FREEZE DEPTHS AND ADJUST DEPTH OF COVER ACCORDINGLY.
- ZONE VALVES SHALL NOT BE LOCATED WITHIN THREE (3) FEET OF ANY DRIVEWAY, TRAFFIC AISLE, ISLAND ETC. WHERE THEY WILL BE DAMAGED BY VEHICLES DRIVING OVER CURBS.
- ALL NOZZLES IN PARKING LOT ISLANDS AND PLANTING BEDS SHALL BE LOW ANGLE NOZZLES TO MINIMIZE OVER SPRAY ON PAVEMENT SURFACES.
- AUTOMATIC CONTROLLER SHALL BE INSTALLED AT LOCATION SHOWN. POWER (120V) SHALL BE LOCATED IN A JUNCTION BOX WITHIN FIVE (5) FEET OF CONTROLLER. LOCATION BY OTHER TRADES. RAIN AND FREEZE SENSORS SHALL BE INSTALLED WITH EACH CONTROLLER.
- ELECTRICAL SPLICES SHOULD BE LOCATED AT EACH VALVE AND CONTROLLER ONLY.
- PROVIDE A 3/4" BLOW DOWN DRAIN TEE TO ALLOW WATER TO BE BLOWN FROM THE IRRIGATION LINES/SYSTEM.
- DISTURBED AREAS IN NEED OF TURF ESTABLISHMENT MAY EXIST BEYOND COVERAGE LIMITS OF THE PERMANENT IRRIGATION SYSTEM. IN THESE AREAS, CONTRACTOR TO DETERMINE A TEMPORARY MEANS TO ESTABLISH NECESSARY TURF. CONTRACTOR IS ENCOURAGED TO BEGIN TURF ESTABLISHMENT IMMEDIATELY UPON FINAL GRADE IN ACCORDANCE WITH AND TO SATISFY SWPPP.
- PROVIDE WITH OWNER A COPY OF ALL INSTALLED EQUIPMENT AND LINES (AS BUILT PLANS).
- PLACE COPY OF ZONE MAP WITH ALL ZONE VALVE LOCATIONS SHOWN AND APPROVED IRRIGATION PLAN IN PROTECTIVE JACKET IN MAIN CONTROL PANEL.
- IRRIGATION IN TEXAS IS REGULATED BY: THE TEXAS COMMISSION ON ENVIRONMENTAL QUALITY (TCEQ) MC-178 / PO BOX 13087 AUSTIN, TEXAS 78711-3087 WWW.TCEQ.STATE.TX.US

IRRIGATION PROJECT NOTES

- THE LOCATION OF MAINLINE AND VALVES ON THIS PLAN MAY BE SHOWN IN PAVED AREAS FOR DESIGN CLARITY ONLY. IRRIGATION ELEMENTS HAVE BEEN SHOWN ON THIS PLAN AS ACCURATELY AS POSSIBLE WITHOUT THE FORTUIT OF DESIGN CLARITY AND INTENT. ALL PIPES AND VALVES SHALL BE INSTALLED WITHIN PERVIOUS AREAS. ALL PIPE AND WIRES THAT CROSS UNDER PAVING SHALL BE INSTALLED IN SEPARATE SLEEVES AS SPECIFIED.
- ALL SPRINKLER EQUIPMENT NUMBERS REFERENCE THE HUNTER EQUIPMENT CATALOG UNLESS OTHERWISE INDICATED.
- TEN DAYS PRIOR TO START OF CONSTRUCTION, IRRIGATION CONTRACTOR SHALL VERIFY STATIC WATER PRESSURE. THE IRRIGATION SYSTEM FOR THIS SITE IS DESIGNED TO OPERATE WITH A PRESSURE OF SEVENTY (70) PSI. POUNDS PER SQUARE INCH. SHOULD THE DESIGN PRESSURE FOR THE SYSTEM BE HIGHER THAN THE EXISTING PRESSURE, THE IRRIGATION CONTRACTOR SHALL NOTIFY THE IRRIGATION DESIGNER IMMEDIATELY.
- IRRIGATION CONTRACTOR SHALL COORDINATE THE LOCATION OF THE CONTROLLER AND SENSORS WITH THE GENERAL CONTRACTOR AND OWNER. A 110 VOLT ELECTRICAL SERVICE TO POWER THE IRRIGATION CONTROLLER SHALL BE PROVIDED BY THE GENERAL CONTRACTOR AT THE LOCATION SHOWN ON THIS PLAN.
- WATER SERVICE TAP, METER AND LEAD FOR THE IRRIGATION SYSTEM SHALL BE PROVIDED AND INSTALLED BY THE GENERAL CONTRACTOR. SERVICE LINE AND METER SHALL BE SIZED AS NOTED ON THIS PLAN.
- TYPE AND INSTALLATION OF THE WATER METER AND BACK FLOW PREVENTION DEVICE SHALL BE DETERMINED BY THE GOVERNING AUTHORITY. AN ISOLATION VALVE SHALL BE PROVIDED BETWEEN THE WATER METER AND BACK FLOW DEVICE.
- ALL CALCULATIONS FOR THIS IRRIGATION SYSTEM ARE BASED ON PRODUCTS AND EQUIPMENT INFORMATION PROVIDED BY HUNTER. INSTALLATION OF THESE PRODUCTS SHALL NOT EXCEED MANUFACTURER'S RECOMMENDATIONS.
- REFERENCE HUNTER GUIDELINES AND SPECIFICATIONS PRIOR TO INSTALLATION. CONFIRM REQUIREMENTS FOR CONTROLLER, WATERPROOF CONNECTIONS, GROUNDING, SURGE PROTECTORS, DECODERS, VALVES, AND WIRING PRIOR TO INSTALLATION. HUNTER TECHNICAL SERVICES (760) 591-7383. WWW.HUNTERINDUSTRIES.COM
- SPRAY HEADS LOCATED IN TURF AREAS SHALL BE HUNTER PROS-04-PR330 SPRAY BODIES WITH PRO ADJUSTABLE NOZZLES, FIXED ARC NOZZLES, AND STRIP PATTERN NOZZLES RATE AND AS INDICATED ON THE PLAN.
- IRRIGATION ROTOR HEADS SHALL BE PGP ULTRA MODELS PGP-04-PRB WITH MPR NOZZLES.
- IRRIGATION REMOTE CONTROL VALVES SHALL BE 1" AND/OR 1.5" HUNTER ICV AS INDICATED. PRIOR TO ALL REMOTE CONTROL VALVES, INSTALL A NOMINALLY SIZED BALL VALVE WITHIN THE SAME BOX.
- SIZE OF VALVES ARE AS SHOWN ON PLAN. VALVES SHALL BE INSTALLED IN APPROVED BOXES WITH COVERS LARGE ENOUGH TO PERMIT MANUAL OPERATION, REMOVAL OF SOLENOID AND / OR VALVE COVER WITHOUT ANY EARTH EXCAVATION. OWNERS MAY ELECT LOCKING BOXES ON A PROJECT BY PROJECT BASIS.
- QUICK COUPLING VALVES SHALL BE HUNTER INSTALLED PER DETAIL SHOWN. SWING JOINTS SHALL BE CONSTRUCTED USING 3/4" SCHEDULE 80 ELBOWS. CONTRACTOR SHALL SUPPLY OWNER WITH TWO (2) HS-0 HOSE COUPLERS WITH (2) HK-33 KEYS AND TWO (2) HS-0 HOSE SWIVELS AS PART OF THIS CONTRACT.
- EXISTING IRRIGATION SYSTEM AUTOMATIC CONTROLLER IS HUNTER IC02 PER 'AS-BUILT' DRAWINGS. UPDATE CAPACITY AS NECESSARY. CONFIRM WIRING, GROUNDING AND SURGE PROTECTION REQUIREMENTS BEFORE INSTALLING.
- DRIP IRRIGATION REMOTE CONTROL VALVES SHALL BE HUNTER ICZ-101-LF-40 AS INDICATED. DRIP TUBING SHALL BE HUNTER HDL-06-12-CV.
- INSTALL DRIP TUBING LINES PER MANUFACTURER'S RECOMMENDATIONS. USE PLD-LOC FITTINGS PLD-LOC-075, PLD-LOC-090, PLD-LOC-ELB, PLD-LOC-CPL, PLD-LOC-CAP, PLD-LOC-TEE, PLD-LOC OR USE FHS BARB FITTINGS PLD-075, PLD-050, PLD-ELB, PLD-CPL, PLD-CAP, PLD-TEE, PLD-075-TBTEE, PLD-BV. USE ECO-INDICATOR ECO-ID. USE LINE FLUSHING VALVE HUNTER AFV-B.
- DRIP TUBING SHALL BE SPACED 18" APART IN SHRUB AREAS. REFER TO MANUFACTURER'S RECOMMENDATIONS.
- TREE BUBBLERS SHALL USE HUNTER PROS-06-PR330 BODIES WITH HUNTER MULTI-STREAM BUBBLERS MODEL MSBN-50H NOZZLES.
- ALL VALVE CONTROL WIRE SHALL BE SIZED PER MANUFACTURER GUIDELINES BY THE CONTRACTOR ACCORDING TO THE ACTUAL FIELD DISTANCE. ALL CONNECTIONS SHALL BE WATER-PROOF, KEPT TO A MINIMUM, AND LOCATED IN AN APPROVED BOX.

**L2.01 IRRIGATION NOTES
AMERISPORTS PARKING EXPANSION**

BEING 6.377 ACRES OF LAND
DESCRIBED IN A PLAT AS LOT 5, BLOCK B, FIT SPORT LIFE ADDITION
RECORDED IN INSTRUMENT NO. 2022000003843,
OFFICIAL PUBLIC RECORDS, ROCKWALL COUNTY, TEXAS
LOCATED IN THE ROBERT BOYD IRVINE SURVEY, ABSTRACT NO. 120
ROCKWALL COUNTY, TEXAS
CASE NO. XXXX

EXISTING ZONING: COMMERCIAL (SPORTS COMPLEX)
PROPOSED LAND USE: COMMERCIAL (SPORTS COMPLEX)



Know what's below.
Call before you dig.

APPROVED:
I hereby certify that the above and foregoing site plan for development in the City of Rockwall, Texas, was approved by the Planning & Zoning Director on the 31 day of July, 2022.

Director of Planning & Zoning

GOING SITE PLAN FOR A DEVELOPMENT IN THE
THE PLANNING & ZONING COMMISSION OF THE

DIRECTOR OF PLANNING AND ZONING



AWR Design, LLC
P.O. Box 1746
Aledo, Texas 76008
amanda@awr-designs.com
c. 512.517.5589



DATE: 06/26/24

SECTION 32 8423 - UNDERGROUND IRRIGATION SLEEVES AND UTILITY CONDUITS

PART 1 - GENERAL

1.1 DESCRIPTION
A. PROVIDE UNDERGROUND IRRIGATION SLEEVES AS INDICATED ON THE DRAWINGS.

1.2 RELATED WORK
A. SECTION 32 8424 - IRRIGATION SYSTEM.

1.3 REFERENCE STANDARDS
A. AMERICAN STANDARD FOR TESTING AND MATERIALS (ASTM) - LATEST EDITION.

PART 2 - MATERIALS

2.1 GENERAL

A. POLYVINYL CHLORIDE PIPE (PVC) - SCHEDULE 40 SHALL BE USED FOR ALL SLEEVING PURPOSES.

B. PVC PIPES SHALL BE MARKED WITH SDR NUMBER, ASTM STANDARD NUMBER, AND THE NSF SEAL.

C. SOLVENT SHALL BE USED AS RECOMMENDED BY MANUFACTURER TO MAKE SOLVENT WELDED JOINTS. PIPE AND FITTINGS SHOULD BE CLEANED BEFORE APPLYING SOLVENT.

PART 3 - EXECUTION

3.1 INSTALLATION

A. A MINIMUM OF TWENTY FOUR (24) INCHES COVER SHALL BE PROVIDED OVER THE TOP OF SLEEVE FROM FINISH GRADE.

B. SLEEVES SHALL BE EXTENDED ONE (1) FOOT PAST THE EDGE OF PAVEMENT OF WALLS. INSTALL A NINETY DEGREE ELBOW ON EACH SLEEVE AND ADD ADDITIONAL LENGTH TO EXTEND ABOVE FINISH GRADE BY TWELVE (12) INCHES. CAP PIPE ENDS.

3.2 BACKFILL

A. BACKFILL SHALL BE PLACED OVER SLEEVES IN SIX (6) INCH LIFTS. SOIL SHALL BE TAMPED INTO PLACE, TAKING CARE TO NOT DAMAGE SLEEVE.

B. REPAIR ANY DAMAGE FROM IMPROPER COMPACTION.

END OF SECTION

SECTION 32 8424 - IRRIGATION SYSTEM

PART 1 - GENERAL

1.1 DESCRIPTION

A. PROVIDE A COMPLETE IRRIGATION SYSTEM INSTALLATION AS DETAILED AND SPECIFIED. THIS SHALL INCLUDE FURNISHING ALL LABOR, MATERIAL, EQUIPMENT AND SERVICES NECESSARY TO PROVIDE COMPLETE INSTALLATION. WORK INCLUDES:

a. TRENCHING
b. BACKFILL
c. AUTOMATIC CONTROLLED SYSTEM
d. AS BUILT DRAWINGS

B. SLEEVING AS SHOWN SHALL BE FURNISHED BY THE GENERAL CONTRACTOR.

C. METER AND POWER SHALL BE PROVIDED BY THE GENERAL CONTRACTOR.

1.2 RELATED WORK

C. REFERENCE IRRIGATION PLANS FOR CONTROLLER, HEAD AND ALL VALVE LOCATIONS.

D. REFERENCE LANDSCAPE PLANS, NOTES, DETAILS FOR ADDITIONAL REQUIREMENTS.

E. SECTION 32 9300 - LANDSCAPE

F. SECTION 32 8423 - UNDERGROUND IRRIGATION SLEEVE AND UTILITY CONDUITS

1.3 REFERENCE STANDARDS

A. AMERICAN STANDARD FOR TESTING AND MATERIALS (ASTM) - LATEST EDITION.

1.4 QUALITY ASSURANCE AND REQUIREMENTS

A. PERMITS AND FEES: THE CONTRACTOR SHALL OBTAIN AND PAY FOR ANY PERMITS NECESSARY AND ALL OBSERVATIONS AS REQUIRED.

B. MANUFACTURER'S DIRECTIONS: MANUFACTURER'S DIRECTIONS AND DETAILED DRAWINGS SHALL BE FOLLOWED IN ALL CASES WHERE THE MANUFACTURERS OF ARTICLES USED IN THIS CONTRACT FURNISH DIRECTIONS COVERING POINTS NOT SHOWN IN THE DRAWINGS AND SPECIFICATIONS.

C. ORDINANCES, CODES, AND REGULATIONS: ALL LOCAL, MUNICIPAL AND STATE LAWS, AND RULES AND REGULATIONS GOVERNING OR RELATING TO ANY PORTION OF THIS WORK ARE HEREBY INCORPORATED INTO AND MADE A PART OF THESE SPECIFICATIONS, AND THEIR PROVISIONS SHALL BE CARRIED OUT BY THE CONTRACTOR. ANYTHING CONTAINED IN THESE SPECIFICATIONS SHALL NOT BE CONSTRUED TO CONFLICT WITH ANY OF THE ABOVE RULES AND REGULATIONS AND REQUIREMENTS OF THE SAME.

D. HOWEVER, WHEN THESE SPECIFICATIONS AND DRAWINGS CALL FOR OR DESCRIBE MATERIALS, WORKMANSHIP, OR CONSTRUCTION OF A BETTER QUALITY, HIGHER STANDARD OR LARGER SIZE THAN IS REQUIRED BY THE ABOVE RULES AND REGULATIONS, THESE SPECIFICATIONS AND DRAWINGS SHALL TAKE PRECEDENCE.

1.5 SCHEDULE OF MATERIALS

A. MATERIALS LIST:

a. ALL EQUIPMENT MANUFACTURERS AND MODEL NUMBERS SHALL BE AS NOTED ON THE PLANS.

b. THE CONTRACTOR SHALL FURNISH THE ARTICLES, EQUIPMENT, MATERIALS, OR PROCESSES SPECIFIED BY NAME IN THE DRAWINGS AND SPECIFICATIONS. NO SUBSTITUTION WILL BE ALLOWED WITHOUT PRIOR WRITTEN APPROVAL OF THE LANDSCAPE ARCHITECT.

c. A COMPLETE MATERIAL LIST OF EQUIPMENT SHALL BE SUBMITTED BEFORE PERFORMING ANY WORK. SUBMITTAL SHOULD INCLUDE ALL MANUFACTURER'S SPECIFICATIONS AND LITERATURE FOR APPROVAL BY THE LANDSCAPE ARCHITECT PRIOR TO INSTALLATION.

d. EQUIPMENT OR MATERIALS INSTALLED OR FURNISHED WITHOUT PRIOR APPROVAL OF THE LANDSCAPE ARCHITECT MAY BE REJECTED.

e. APPROVAL OF ANY ITEM, ALTERNATE OR SUBSTITUTE INDICATES ONLY THAT THE PRODUCT OR PRODUCTS APPARENTLY MEET THE REQUIREMENTS OF THE DRAWINGS AND SPECIFICATIONS ON THE BASIS OF THE INFORMATION OR SAMPLES SUBMITTED.

f. MANUFACTURER'S WARRANTIES SHALL NOT RELIEVE THE CONTRACTOR OF HIS LIABILITY UNDER THE GUARANTEE. SUCH WARRANTIES SHALL ONLY SUPPLEMENT THE GUARANTEE.

1.6 RECORD AND AS BUILT DRAWINGS/SUBMITTALS

A. CONTRACTOR SHALL PROVIDE AND KEEP UP TO DATE AND COMPLETE "AS-BUILT" RECORD SET OF PRINTS.

B. CONTRACTOR SHOULD USE ALL SYMBOLS AND NOTATIONS CONSISTENT WITH THE ORIGINAL DRAWINGS.

C. IN "AS-BUILT" DRAWINGS, CONTRACTOR SHALL LOCATE:

a. CONNECTION TO EXISTING WATER LINES

b. CONNECTION TO ELECTRICAL POWER

c. GATE VALVES

d. ROUTING OF SPRINKLER PRESSURE LINES

e. SPRINKLER CONTROL VALVES

f. QUICK COUPLING VALVES

g. OTHER RELATED EQUIPMENT

D. SUBMIT COMPLETED TRACINGS PRIOR TO FINAL ACCEPTANCE. DATE AND SIGN ALL DRAWINGS.

E. EQUIPMENT TO BE FURNISHED:

a. SUPPLY AS PART OF THIS CONTRACT THE FOLLOWING TOOLS:

i. QUICK COUPLING KEYS, THREE (3) WITH BOLLER DRAINS ATTACHED USING BRASS REDUCER.

ii. THREE (3) KEYS FOR EACH AUTOMATIC CONTROLLER

b. THE ABOVE MENTIONED EQUIPMENT SHALL BE TURNED OVER TO THE OWNER AT THE CONCLUSION OF THE PROJECT.

F. THE IRRIGATION CONTRACTOR SHOULD DEMONSTRATE THAT THE FINAL INSTALLED SYSTEM WILL OPERATE ACCORDING TO THE INTENT OF THE DESIGNED AND SPECIFIED SYSTEM. IRRIGATION CONTRACTOR SHALL GUARANTEE 100% COVERAGE TO ALL AREAS TO BE IRRIGATED.

1.7 MAINTENANCE AND GUARANTEE

A. MAINTENANCE AND WORKMANSHIP SHALL BE GUARANTEED FULLY FOR ONE (1) YEAR AFTER FINAL ACCEPTANCE.

B. PROVIDE MAINTENANCE OF SYSTEM, CLEANING AND ADJUSTMENT OF THE HEADS, FOR ONE (1) YEAR AFTER COMPLETION OF INSTALLATION.

C. GUARANTEE IS LIMITED TO REPAIR AND REPLACEMENT OF DEFECTIVE MATERIALS AND WORKMANSHIP, INCLUDING THE REPAIR OF BACKFILL SETTLEMENT.

1.8 TESTING

A. PERFORM TESTING REQUIRED WITH OTHER TRADES INCLUDING EARTHWORK, PAVING, PLUMBING, ETC. TO AVOID CUTTING, PATCHING OR BORING.

B. WATER PRESSURE SHOULD BE FOUND PRIOR TO STARTING CONSTRUCTION. DETERMINE/CONFIRM THAT STATIC WATER PRESSURE IS MORE THAN THE WATER PRESSURE NEEDED FOR THE SYSTEM TO FUNCTION PROPERLY. IF STATIC PRESSURE IS LESS THAN THE DESIGN PRESSURE NEEDED, DO NOT START WORK UNTIL THE LANDSCAPE ARCHITECT IS NOTIFIED.

1.9 COORDINATION

A. COORDINATE INSTALLATION OF ALL PRODUCTS, INCLUDING EARTHWORK, PAVING AND PLUMBING.

B. COORDINATE TO ENSURE THAT ELECTRICAL POWER SOURCE IS IN PLACE.

C. COORDINATE INSTALLATION WITH WORK SPECIFIED IN OTHER SECTIONS.

D. COORDINATE WITH THE LANDSCAPE CONTRACTOR TO ENSURE PLANT MATERIAL IS UNIFORMLY WATERED IN ACCORDANCE WITH INTENT SHOWN ON DRAWINGS.

PART 2 - PRODUCTS

2.1 MATERIALS

B. REFER TO CONSTRUCTION DRAWINGS AND NOTES.

C. SPRINKLER HEADS IN LAWN AREAS AS SPECIFIED ON PLAN

D. PVC PIPE: CLASS 200 SPR 21

E. COPPER TUBING (FOR CITY CONNECTIONS): TYPE "M"

F. 24V WIRE - SIZE 14, TYPE UF

G. ELECTRIC VALVES TO BE ALL PLASTIC CONSTRUCTION AS INDICATED ON PLANS.

H. REFER TO DRAWING FOR BACKFLOW PREVENTION LOCATION - COORDINATE EXACT LOCATION WITH THE GENERAL CONTRACTOR.

PART 3 - EXECUTION

3.1 INSPECTION:

A. SITE CONDITIONS:

a. ALL SCALED DIMENSIONS ARE APPROXIMATE. THE CONTRACTOR SHALL CHECK AND VERIFY ALL SIZE DIMENSIONS.

b. EXERCISE EXTREME CARE IN EXCAVATING AND WORKING NEAR UTILITIES. CONTRACTOR SHALL BE RESPONSIBLE FOR DAMAGES TO UTILITIES WHICH ARE CAUSED BY ANY OF HIS OPERATIONS OR NEGLIGENCE.

c. COORDINATE INSTALLATION OF IRRIGATION MATERIALS, INCLUDING PIPE, SO THERE SHALL BE NO INTERFERENCE WITH UTILITIES OR OTHER CONSTRUCTION DIFFICULTY IN PLANTING TREES, SHRUBS, AND GROUNDCOVERS. COORDINATE WORK WITH OTHER SITE CONTRACTORS.

3.2 PREPARATION

A. PHYSICAL LAYOUT:

a. PIPING AND HEAD LAYOUT AS SHOWN ON PLANS IS SCHEMATIC ONLY. ALL PIPES TO BE INSTALLED DIRECTLY BEHIND CURBS, WALKS AND WALLS WHEREVER POSSIBLE.

b. PRIOR TO INSTALLATION CONTRACTOR SHALL STAKE OUT ALL PRESSURE SUPPLY LINES, ROUTING AND LOCATION OF SPRINKLER HEADS.

c. ALL LAYOUTS SHALL BE APPROVED BY THE LANDSCAPE ARCHITECT OR OWNER'S REPRESENTATIVE PRIOR TO INSTALLATION.

B. WATER SUPPLY:

a. IRRIGATION SYSTEM SHALL BE CONNECTED TO WATER SUPPLY POINTS OF CONNECTION AS INDICATED ON THE DRAWINGS.

b. CONNECTIONS SHOULD BE MADE AT APPROXIMATE LOCATIONS AS SHOWN ON DRAWINGS. CONTRACTOR SHALL VERIFY IN FIELD AND BE RESPONSIBLE FOR MINOR CHANGES CAUSED BY ACTUAL SITE CONDITIONS.

3.3 INSTALLATION

A. TRENCHING

a. DIG TRENCHES STRAIGHT 6" WIDE WITH NEAR VERTICAL SIDE AND SUPPORT PIPE CONTINUOUSLY ON BOTTOM OF TRENCH. REMOVE LUMBER, RUBBISH, LARGE ROCKS ETC. FROM TRENCHES. LAY PIPE TO AN EVEN GRADE - WITH A FIRM,

UNIFORM BEARING FOR ENTIRE LENGTH OF PIPE.

b. REMOVE FOREIGN MATTER OR DIRT FROM INSIDE OF PIPE BEFORE WELDING AND KEEP PIPING CLEAN BY ANY MEANS POSSIBLE DURING AND AFTER LAYING OF PIPE.

c. PROVIDE A MINIMUM OF EIGHTEEN (18) INCHES OF COVER FOR ALL PRESSURE SUPPLY LINES.

d. PROVIDE A MINIMUM OF TWELVE (12) INCHES OF COVER FOR ALL NON-PRESSURE LINES.

e. PROVIDE A MINIMUM COVER OF EIGHTEEN (18) INCHES FOR ALL CONTROL WIRING.

f. NO MACHINE TRENCHING, UNLESS APPROVED BY THE LANDSCAPE ARCHITECT, SHALL BE DONE WITHIN DRIP LINE OF EXISTING TREES. TRENCHING SHOULD BE DONE BY HAND, TUNNELING OR BORING OR OTHER METHODS APPROVED BY THE LANDSCAPE ARCHITECT. IT SHOULD BE UNDERSTOOD THAT PIPING LAYOUT IS DIAGRAMMATIC AND PIPING SHALL BE ROUTED AROUND TREES AND SHRUBS IN SUCH A MANNER TO AVOID DAMAGE TO PLANTS.

B. BACKFILL

a. TRENCHES SHALL NOT BE BACKFILLED UNTIL ALL REQUIRED TESTS ARE PERFORMED. TRENCHES SHALL BE CAREFULLY BACKFILLED WITH THE EXCAVATED MATERIALS APPROVED FOR BACKFILLING, CONSISTING OF EARTH, LOAM, SANDY CLAY, SAND OR OTHER APPROVED MATERIALS, FREE FROM LARGE CLODS, STONES OR STICKS.

b. IF SETTLEMENT OCCURS AND SUBSEQUENT ADJUSTMENTS IN PIPE, VALVES, SPRINKLER HEADS, LAWN OR PLANTING OR OTHER CONSTRUCTION ARE NECESSARY, THE CONTRACTOR SHALL MAKE ALL REQUIRED ADJUSTMENTS WITHOUT THE COST TO THE OWNER.

C. TRENCHING AND BACKFILL UNDER PAVING:

a. ALL IRRIGATION MAIN LINE AND LATERAL LINES OR WIRING LOCATED UNDER AREAS WHERE PAVING, ASPHALTIC PAVING, OR CONCRETE SHALL BE INSTALLED IN SCHEDULE 40 PVC SLEEVES OF ADEQUATE SIZE. SEE SECTION 32 8423.

D. ASSEMBLIES

a. INSTALL ALL ASSEMBLIES SPECIFIED HEREIN IN ACCORDANCE WITH RESPECTIVE DETAILS. IN ABSENCE OF DETAIL DRAWINGS OR SPECIFICATIONS, PERFORM SUCH WORK IN ACCORDANCE WITH BEST STANDARD PRACTICES OR MANUFACTURER'S RECOMMENDATIONS AS APPROVED BY THE LANDSCAPE ARCHITECT.

b. MAKE SOLVENT WELDED JOINTS USING ONLY THE SOLVENT RECOMMENDED BY THE MANUFACTURER. PIPES AND FITTINGS SHOULD BE CLEANED OF ALL DIRT AND DUST AND MISTENED BEFORE APPLYING SOLVENT.

c. ON PVC TO METAL CONNECTIONS, THE CONTRACTOR SHALL WORK METAL CONNECTIONS FIRST. USE NON HARDENING PIPE DOPE OR TEFLON TAPE ON THREADED PVC ADAPTERS INTO WHICH PIPE MAY BE WELDED. LIGHT WRENCH PRESSURE IS ALL THAT IS REQUIRED, USE THREADED PVC ADAPTERS INTO WHICH THE PIPE MAY BE WELDED.

E. LINE CLEARANCE: ALL LINES SHALL HAVE A MINIMUM CLEARANCE OF SIX (6) INCHES FROM EACH OTHER AND FROM OTHER TRADES. PARALLEL LINES SHALL NOT BE DIRECTLY INSTALLED ONE OVER THE OTHER.

F. WIRING: SUPPLY WIRE FROM THE AUTOMATIC CONTROLLER TO ALL THE VALVES. A SEPARATE WIRE IS REQUIRED TO EACH ELECTRIC VALVE. A COMMON NEUTRAL WIRE IS ALSO REQUIRED FROM EACH CONTROL TO EACH OF THE VALVES. BUNDLE MULTIPLE WIRES AND TAPE THEM TOGETHER AT TEN FOOT INTERVALS. EXPANSION COILS OF TEN INCHES SHALL BE INSTALLED APPROXIMATELY EVERY 100 FEET. MAKE ALL SPLICES WATERPROOF.

G. AUTOMATIC CONTROLLER: INSTALL AS PER MANUFACTURER'S SPECIFICATIONS AND INSTRUCTIONS. REMOVE CONTROL VALVES SHALL BE CONNECTED TO CONTROLLER IN NUMERICAL SEQUENCE AS SHOWN ON THE DRAWINGS. EACH REMOVE CONTROL VALVE SHALL BE WIRED TO ONE STATION OF THE CONTROLLER.

H. REMOTE CONTROL VALVES:

a. INSTALL WHERE SHOWN ON DRAWINGS AND DETAILS. VALVES SHALL BE SIZED ACCORDING TO THE DRAWINGS.

b. INSTALL IN A LEVEL POSITION IN ACCORDANCE TO MANUFACTURER'S SPECIFICATIONS.

c. WHEN GROUPED TOGETHER, ALLOW AT LEAST TWELVE (12) INCHES BETWEEN VALVES. INSTALL EACH REMOTE CONTROL VALVE IN A SEPARATE VALVE BOX. EACH VALVE NUMBER AND ITS CONTROLLER LETTER SHALL BE STENCILED INSIDE VALVE BOX TOP WITH EXTERIOR PAINT.

I. FLUSHING OF SYSTEM:

a. AFTER ALL NEW SPRINKLER PIPE LINES AND RISERS ARE IN PLACE AND CONNECTED, ALL NECESSARY WORK HAS BEEN COMPLETED, AND PRIOR TO INSTALLATION OF SPRINKLER HEADS, THE CONTROL VALVES SHALL BE OPENED AND A FULL HEAD OF WATER USED TO FLUSH OUT THE SYSTEM.

b. SPRINKLER HEADS SHALL BE INSTALLED ONLY AFTER FLUSHING OF THE SYSTEM HAS BEEN ACCOMPLISHED.

J. SPRINKLER HEADS:

a. INSTALL HEADS AS DESIGNED ON THE DRAWINGS. MAKE APPROPRIATE ADJUSTMENTS TO HEAD LAYOUT TO ACCOMMODATE FOR ACTUAL FIELD CONDITIONS.

b. SPACING OF HEADS SHALL NOT EXCEED THE MAXIMUM INDICATED ON THE DRAWINGS. IN NO CASE SHALL THE SPACING EXCEED THE MAXIMUM RECOMMENDED BY THE MANUFACTURER.

c. ALL SPRINKLERS TO ATTACH TO LATERAL LINES WITH FLEXIBLE CONNECTORS. REFERENCE DETAILS ON DRAWINGS.

3.4 TESTING

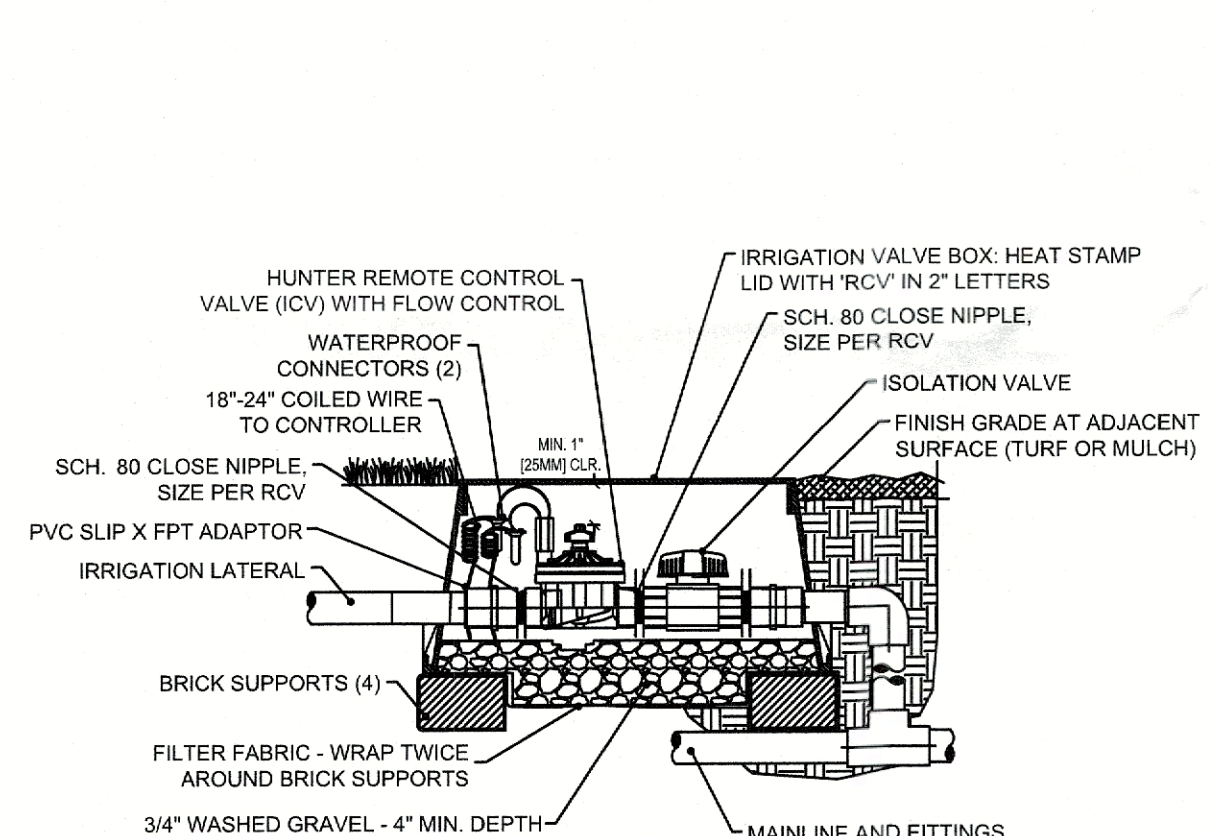
A. THE CONTRACTOR SHALL TEST SPRINKLER MAIN FOR TWELVE TO FOURTEEN HOURS UNDER NORMAL PRESSURE. IF LEAKS ARE PRESENT, REPLACE JOINT OR JOINS AND REPEAT TEST.

B. A COMPLETE TEST SHALL BE MADE PRIOR TO BACKFILLING. BACKFILLING MATERIALS MAY BE PLACED IN TRENCHES IN LIFTS TO ENSURE STABILITY OF THE LINE UNDER THE PRESSURE OF BACKFILL. IN EACH CASE, LEAVE FITTINGS AND COUPLINGS OPEN TO VISUALLY INSPECT FOR FULL PERIOD OF TEST.

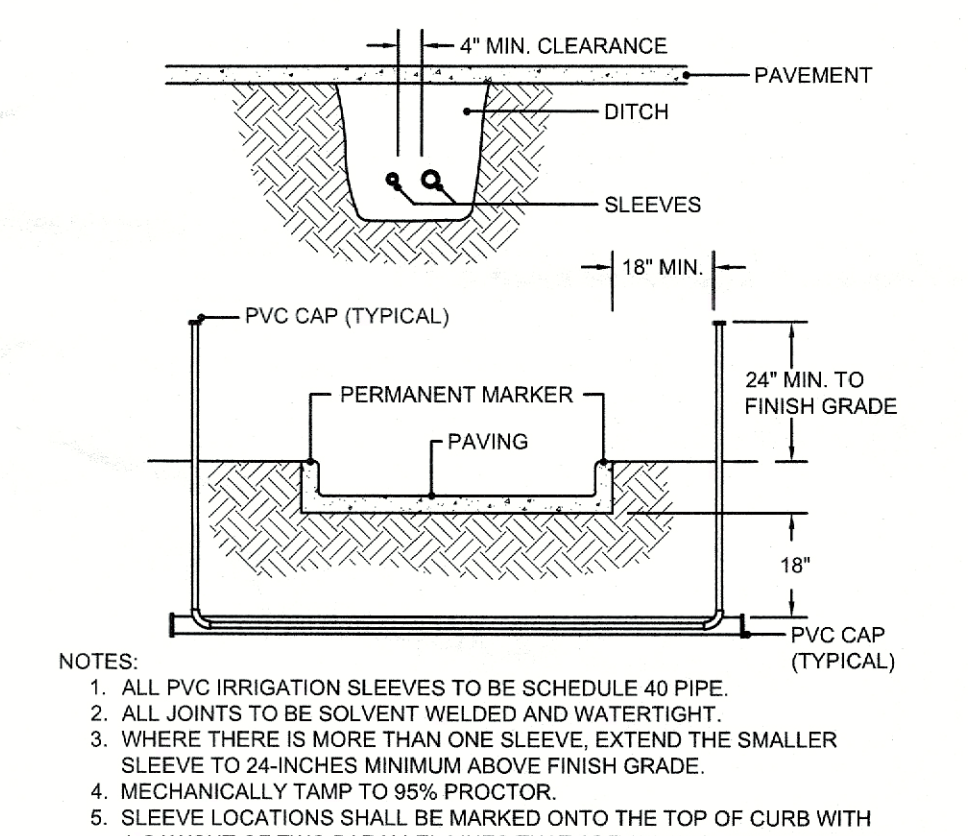
C. WHEN SYSTEM IS COMPLETE, A COVERAGE TEST SHALL BE PERFORMED IN THE PRESENCE OF THE LANDSCAPE ARCHITECT OR OWNER'S REPRESENTATIVE. IT SHALL BE DETERMINED IF THE WATER COVERAGE FOR ALL PLANTING AREAS IS COMPLETE AND ADEQUATE. FURNISH ALL MATERIALS AND PERFORM ALL WORK REQUIRED TO CORRECT ANY INADEQUACIES OF COVERAGE.

D. UPON COMPLETION OF EACH PHASE OF WORK, THE ENTIRE SYSTEM SHOULD BE TESTED AND ADJUSTED TO MEET SITE REQUIREMENTS.

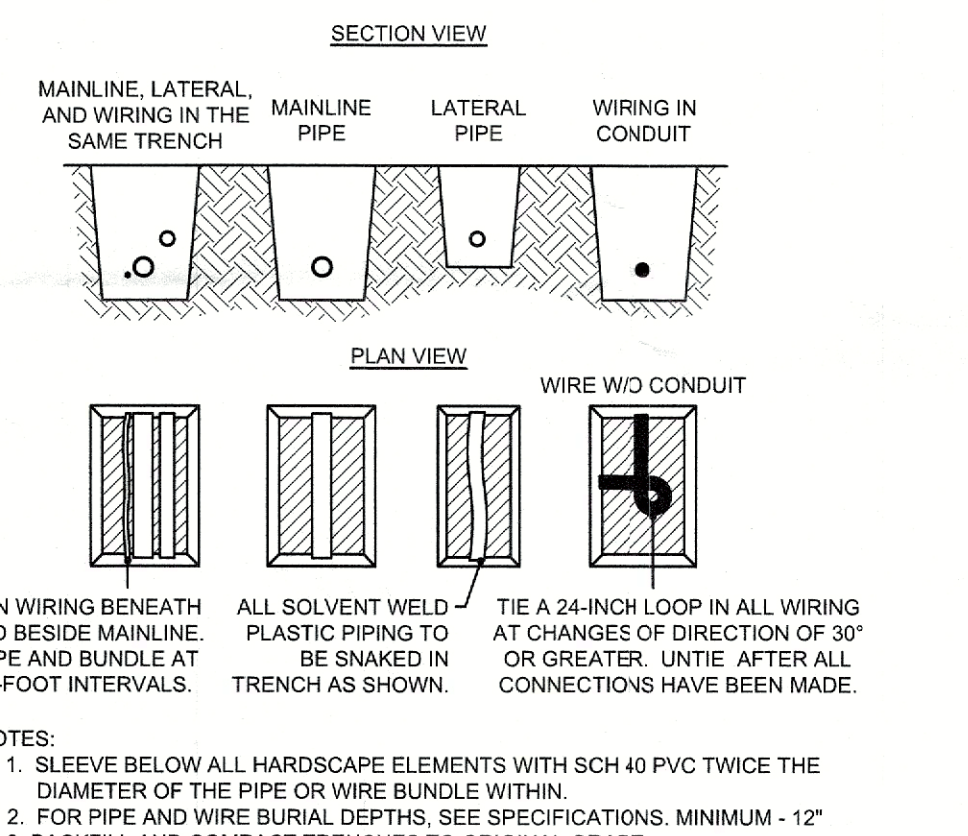
END OF SECTION



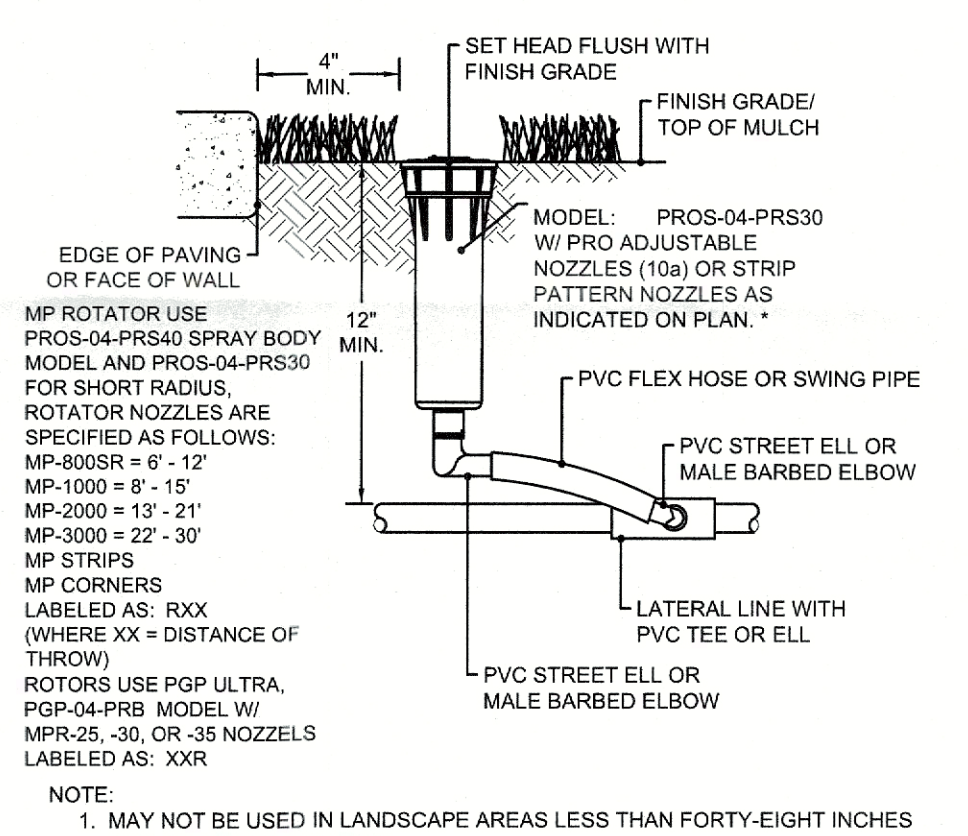
1 IN-LINE VALVE (ICV) WITH ISOLATION VALVE
N.T.S.



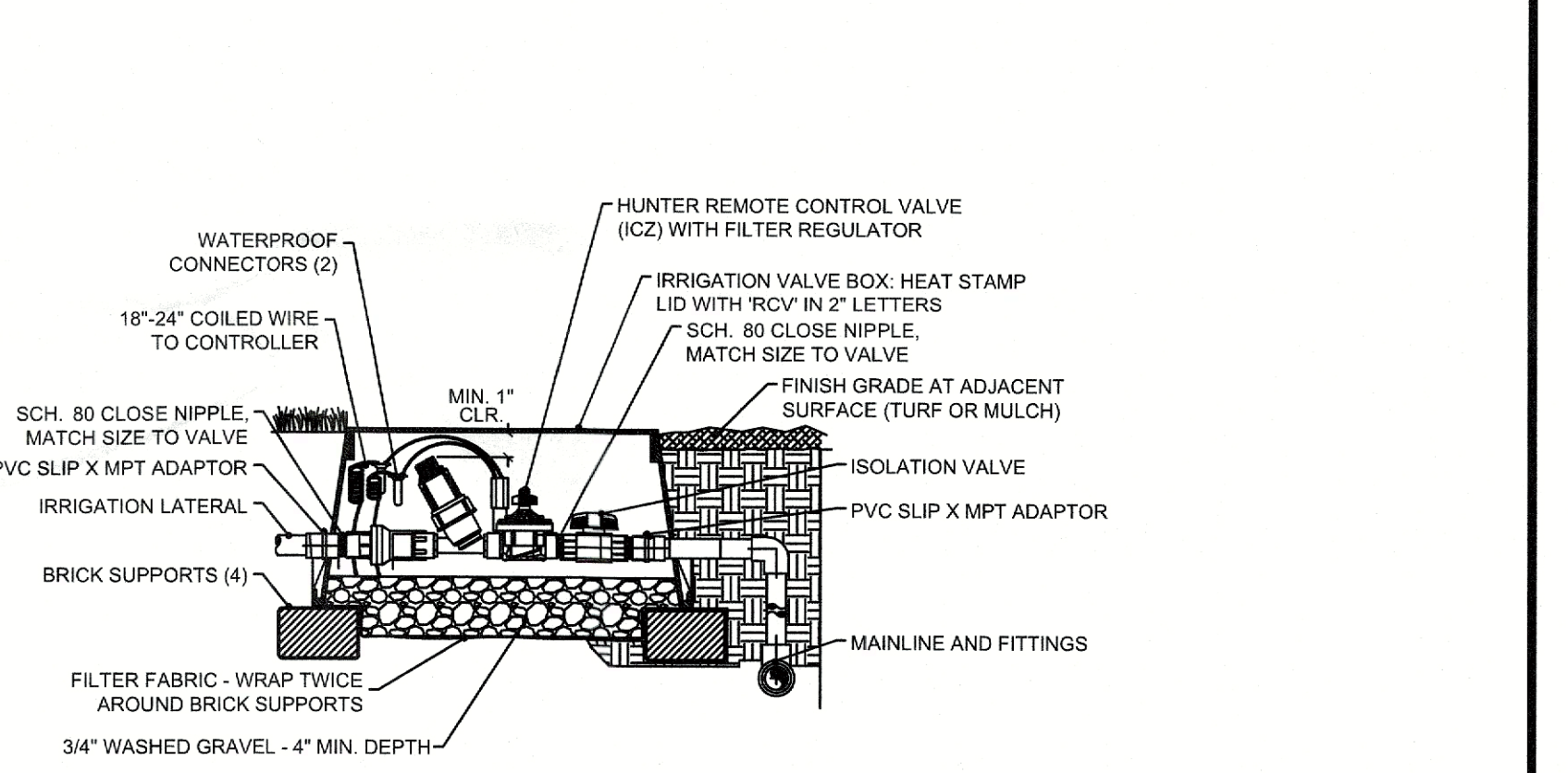
2 IRRIGATION PVC SLEEVES
N.T.S.



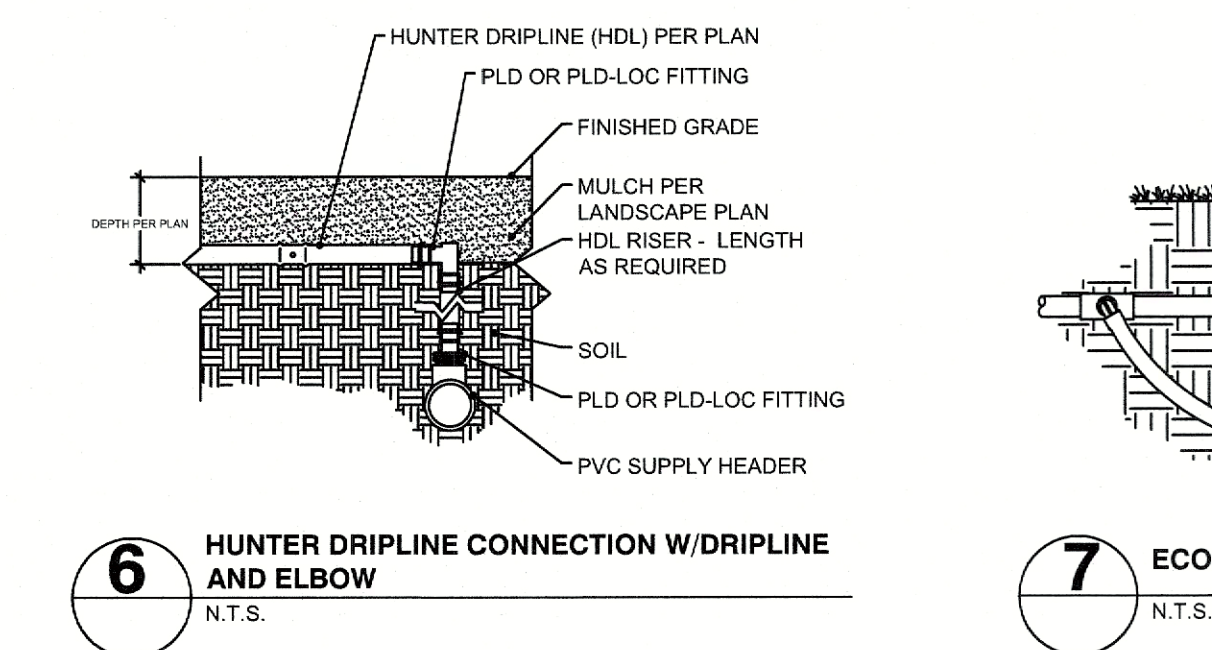
3 PIPE AND WIRING TRENCHING
N.T.S.



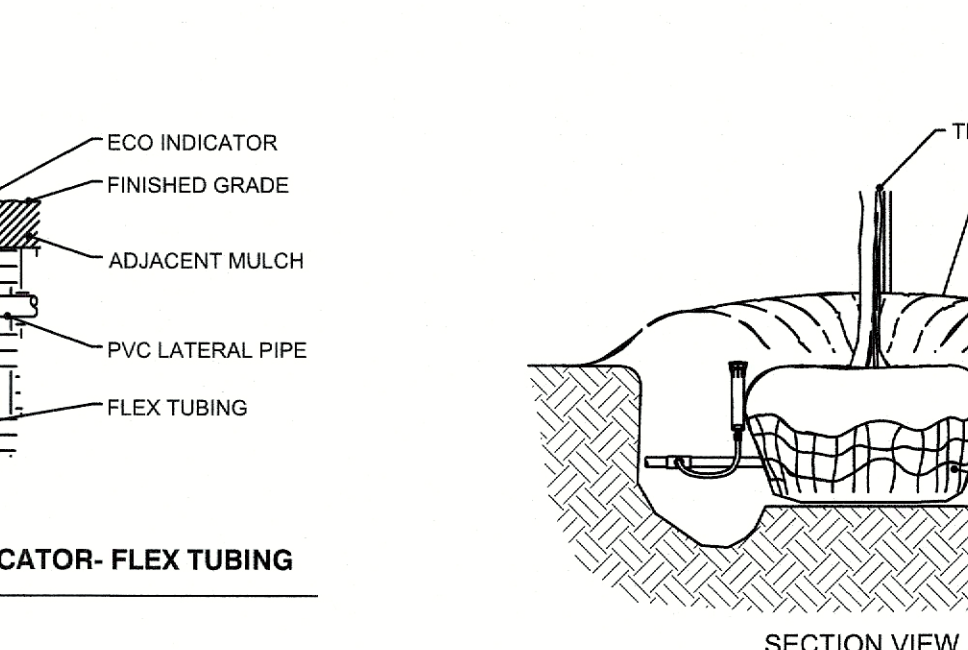
4 POP-UP SPRAY BODY OR POP-UP ROTATOR
N.T.S.



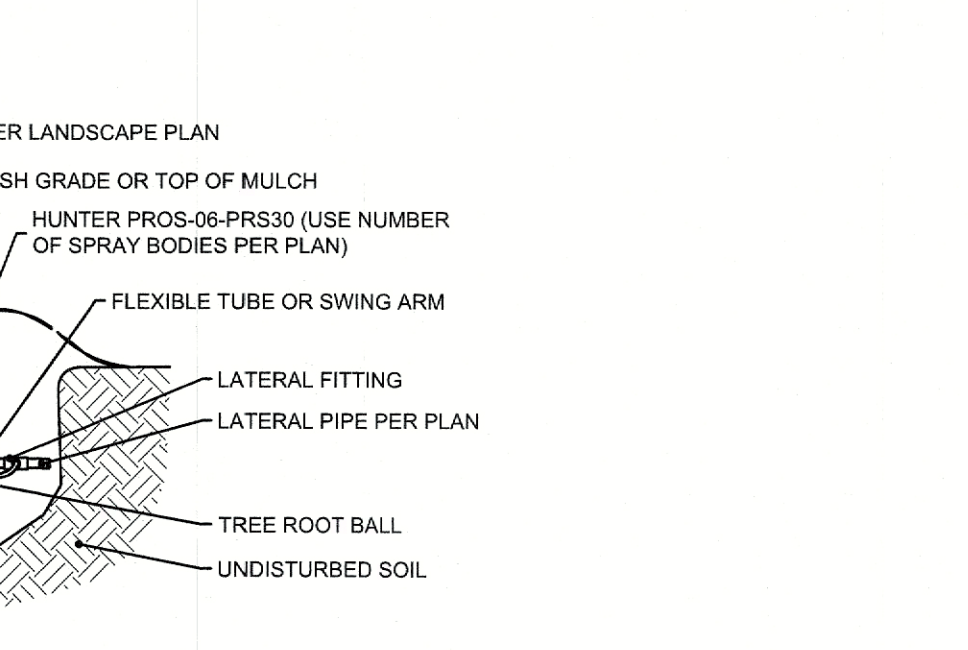
5 DRIP CONTROL ZONE KIT W/ ISOLATION VALVE
N.T.S.



6 HUNTER DRIPLINE CONNECTION W/DRIPLINE AND ELBOW
N.T.S.



7 ECO INDICATOR - FLEX TUBING
N.T.S.



8 TREE BUBBLER ASSEMBLY WITH HUNTER PROS-06-PRS30
N.T.S.

A. APPROVED:
I hereby certify that the above and foregoing site plan for development in the City of Rockwall, Texas, was approved by the Planning & Zoning Director on the 31 day of July, 2024.

Director of Planning & Zoning

CONJ. SITE PLAN FOR A DEVELOPMENT IN THE THE PLANNING & ZONING COMMISSION OF THE

Director of Planning and Zoning

NOTE:
1. PLACE POP-UP BUBBLER DIRECTLY AT THE EDGE OF THE ROOT BALL. ENSURE THAT THE STREAM BUBBLERS SPRAYS DIRECTLY ONTO THE ROOT BALL TO WET THOROUGHLY.
2. SPACE REQUIRED NUMBER OF SPRAY BODIES EQUIDISTANT AROUND EDGE OF ROOT BALL.
3. USE NUMBER OF SPRAY BODIES PER PLAN.



L2.03 IRRIGATION SPECIFICATIONS AND DETAILS
AMERISPORTS PARKING EXPANSION

BEING 6.377 ACRES OF LAND
DESCRIBED IN A PLAT AS LOT 5, BLOCK B, FIT SPORT LIFE ADDITION
RECORDED IN INSTRUMENT NO. 2022000003843,
OFFICIAL PUBLIC RECORDS, ROCKWALL COUNTY, TEXAS
LOCATED IN THE ROBERT BOYD IRVINE SURVEY, ABSTRACT NO. 120
ROCKWALL COUNTY, TEXAS
CASE NO. XXXX

EXISTING ZONING: COMMERCIAL (SPORTS COMPLEX)
PROPOSED LAND USE: COMMERCIAL (SPORTS COMPLEX)

