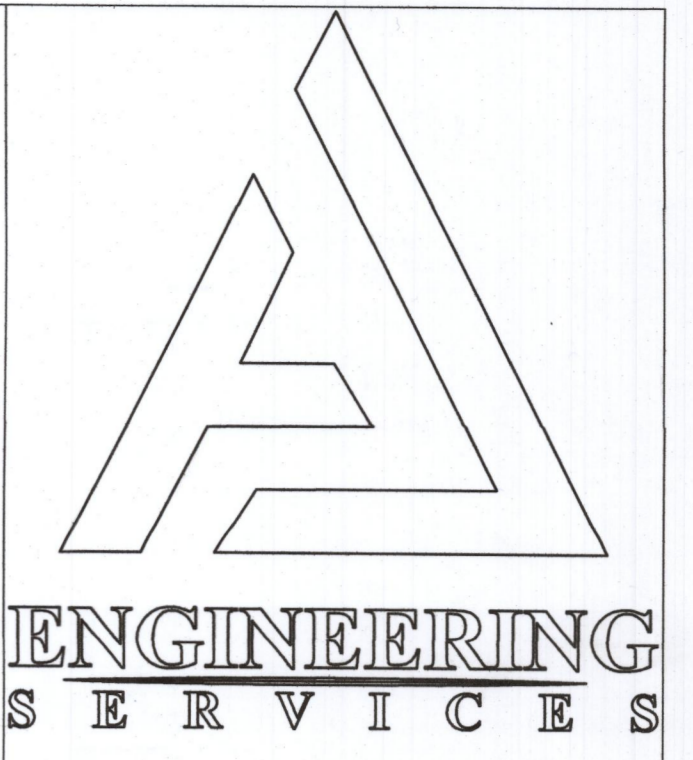
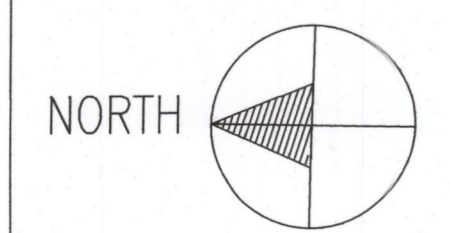


1 PARKING COUNT

PROPOSED PAVING PLAN  
SCALE: 1" = 10'-0"



**AJ**  
**ENGINEERING**  
**SERVICES LLC**

FIRM# F-19793  
OFFICE@AJENGINEERINGS.COM  
WWW.AJENGINEERINGS.COM  
PHONE:(469)432-6093  
FORT WORTH, TX 76137

**COPYRIGHT**  
**AJ ENGINEERING SERVICES**  
**LLC**

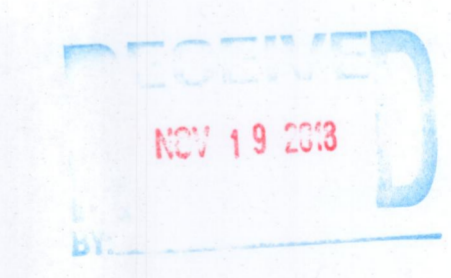
**DRAWINGS ISSUED FOR:**  
**PERMIT: 11/2/2018**  
**PRICING:**  
**CONSTRUCTION:**  
**DRAWING BY: AJ**  
**CHECKED BY: AJ**

**REVISIONS:**

1-.....	00/00/2018
2-.....	00/00/2018
3-.....	00/00/2018

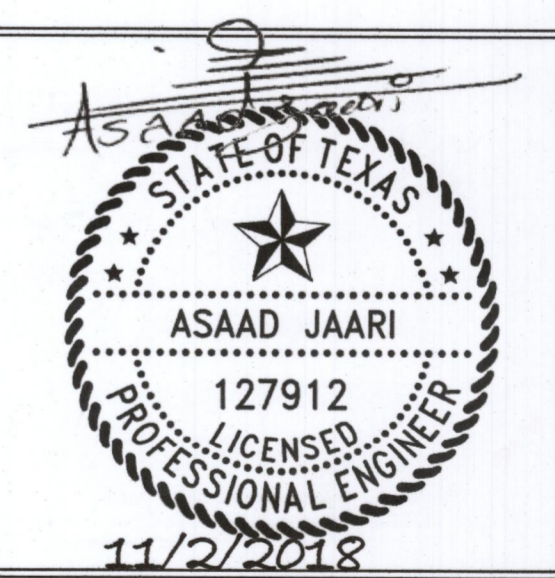
**NEW PARKING**

**912 N GOLIAD**  
**ST, Rockwall**  
**TX 75087**



2018-035

FILE COPY



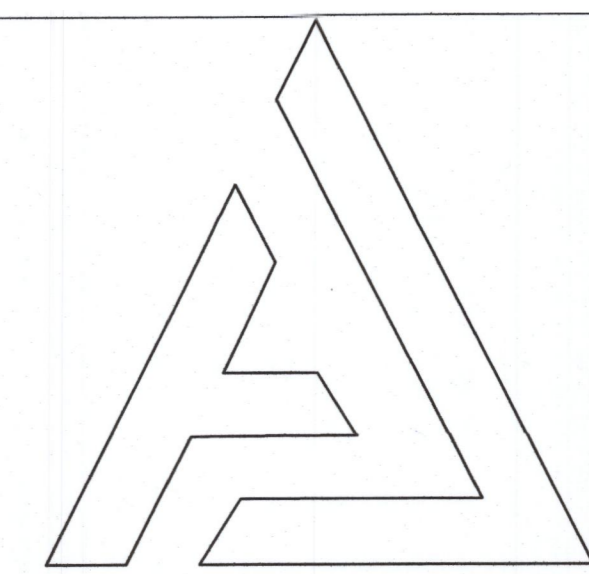
**SHEET TITLE**  
**PROPOSED**  
**PAVING PLAN**

**SHEET#** **CI**

**N. GOLIAD STREET**  
VARIABLE WIDTH

**PROJECT #18054**





ENGINEERING  
SERVICES

**AJ**  
**ENGINEERING**  
**SERVICES LLC**

FIRM# F-19793  
OFFICE@AJENGINEERING.COM  
WWW.AJENGINEERING.COM  
PHONE:(469)432-6093  
FORT WORTH, TX 76137

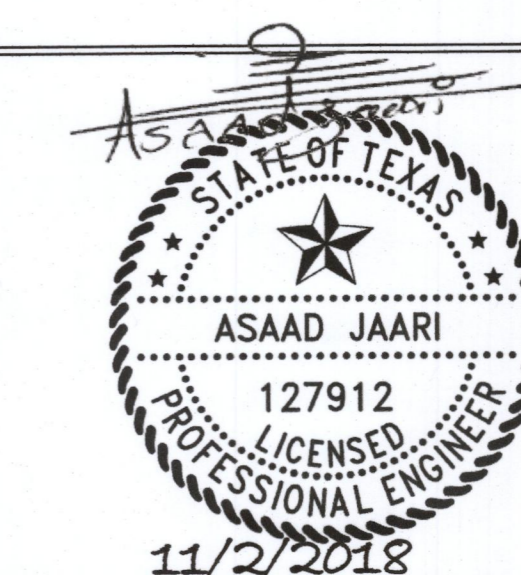
**COPYRIGHT**  
**AJ ENGINEERING SERVICES**  
**LLC**

**DRAWINGS ISSUED FOR:**  
PERMIT: 11/2/2018  
**PRICING:**  
**CONSTRUCTION:**  
DRAWING BY: AJ  
CHECKED BY: AJ

**REVISIONS:**  
1-..... 00/00/2018  
2-..... 00/00/2018  
3-..... 00/00/2018

**NEW PARKING**

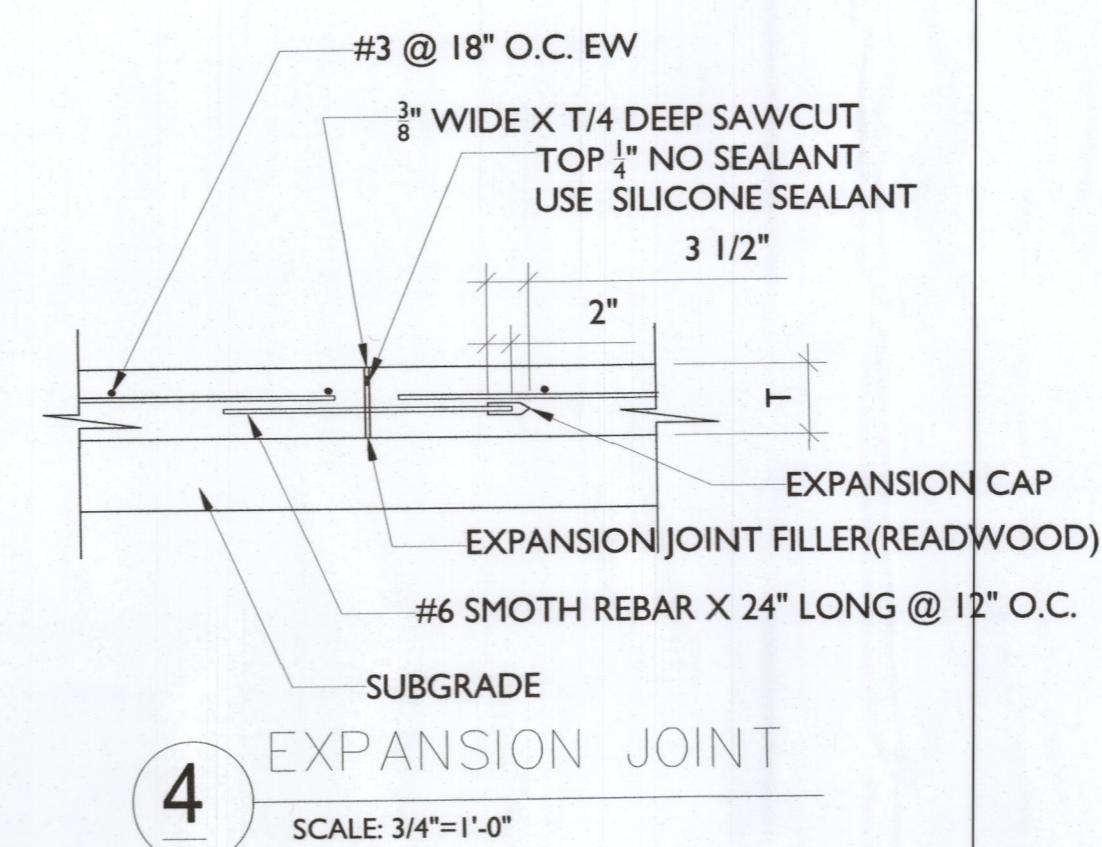
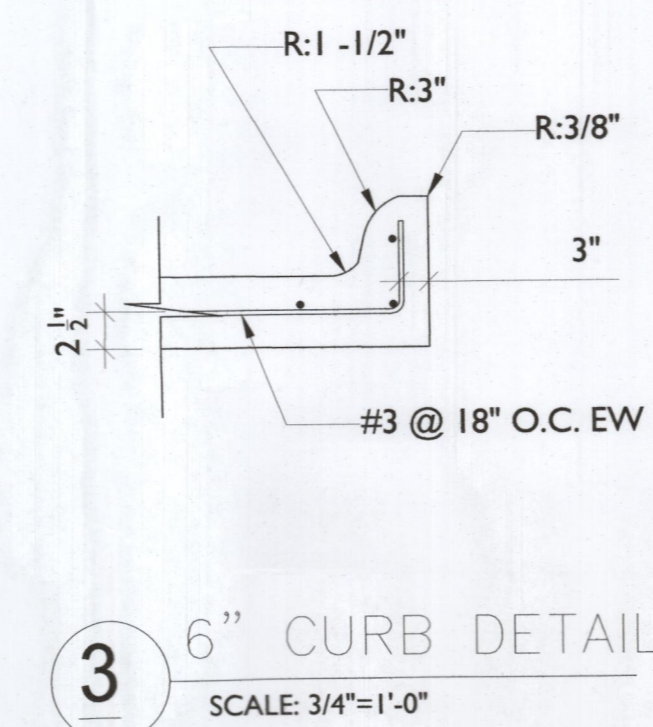
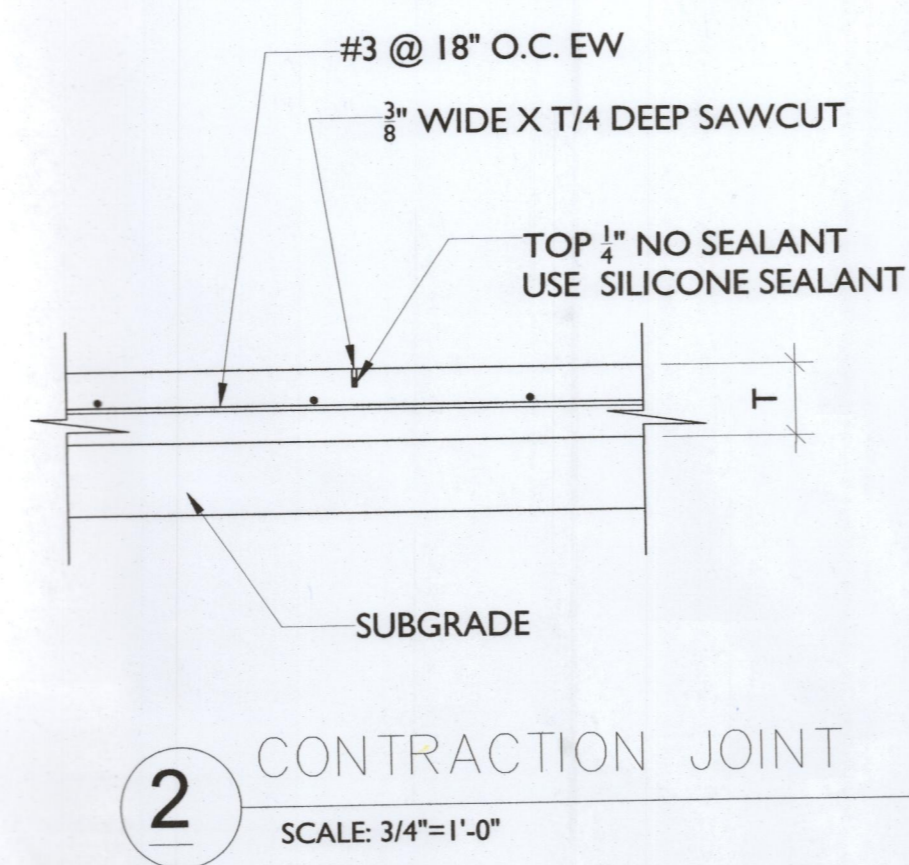
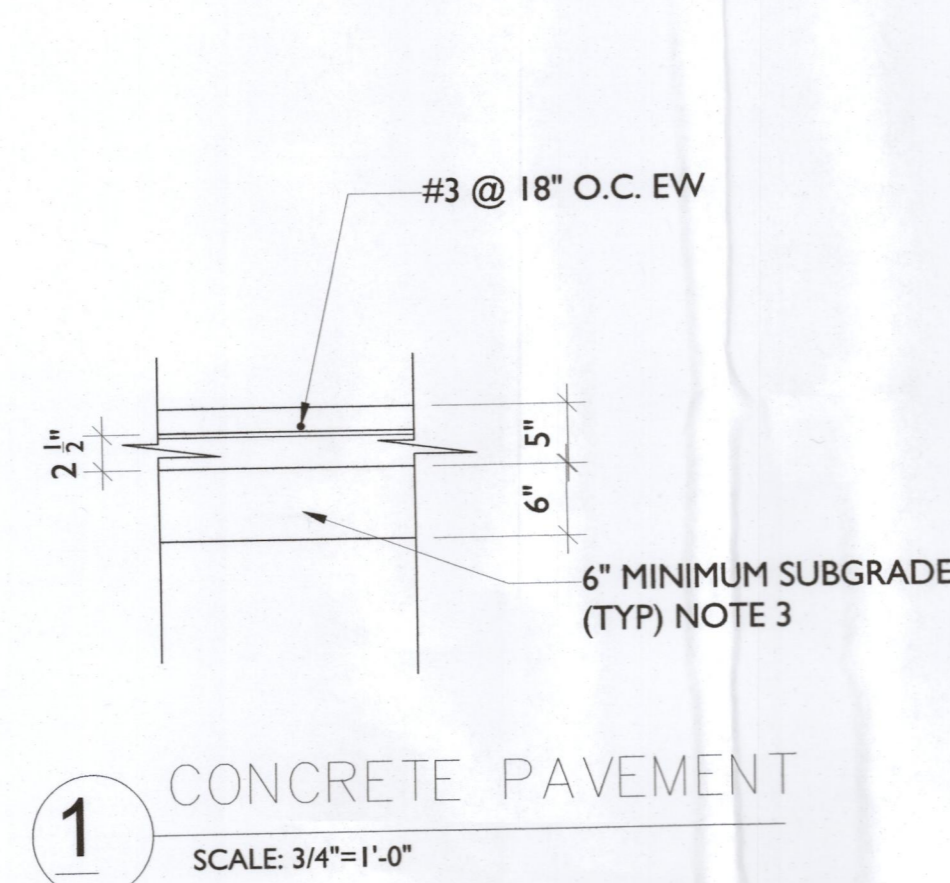
**912 N GOLIAD**  
**ST, Rockwall**  
**TX 75087**



SHEET TITLE  
**CONSTRUCTION**  
**DETAILS**

SHEET# **C3**

PROJECT #18054



**GENERAL PAVING NOTE:**

1. CONCRETE STRENGTH AT 28 DAYS = 3500 PSI.
2. JOINTS SHALL BE PLACED AT A MAXIMUM SPACING OF 15'-0".
3. PAVEMENT SUBGRADE SHALL BE COMPACTED TO A MINIMUM OF 95% MAXIMUM STANDARD DENSITY AND AT MINIMUM OF 2% ABOVE THE OPTIMUM MOISTURE CONTENT.
4. MAXIMUM SLOPE IN LANDSCAPE SHALL NOT EXCEED 3:1.
5. ALL CURBS HEIGHT ARE 6" UNLESS NOTED OTHERWISE.
6. SLOPE SHALL NOT EXCEED 5%.
7. CONTRACTOR SHALL ADJUST EXITING VALVES, MANHOLES RIMS ETC. TO MATCH NEW GRADE.