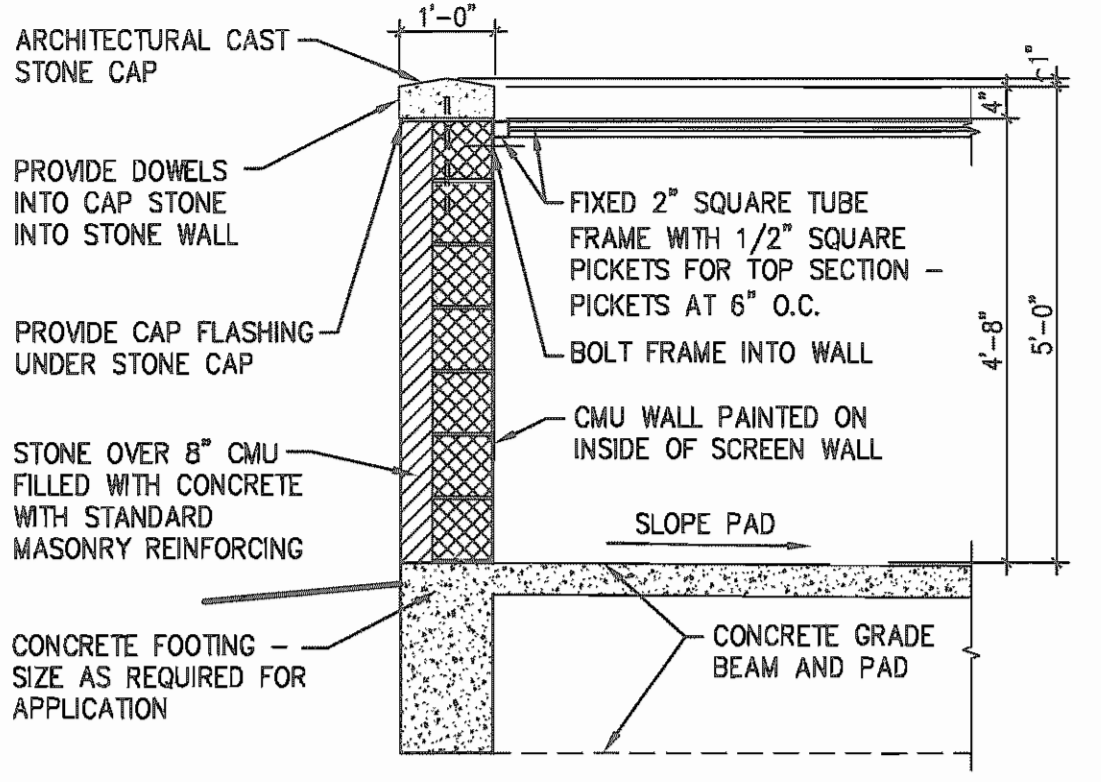


"Not for regulatory approval, permitting or construction."



HVAC UNIT SCREEN SECTION
SCALE: 1/2" = 1'-0"

5

PROJECT DATA:
OWNER: INWOOD NATIONAL BANK
REPRESENTATIVE: DENNIS LORCH
EMAIL: dennis.lorch@inwoodbank.com
ADDRESS: 7621 INWOOD RD, DALLAS, TX. 75209
PHONE: 214.351.7310
PROJECT ADDRESS: 599 EAST I-30, ROCKWALL, TX., 75087

SUBMITTING AGENT:
REPRESENTATIVE: JIM GAHL
EMAIL: jim@ghlarchitecture.com
FIRM: GAHL ARCHITECTURE, INC.
ADDRESS: 3875 REGENT DR., DALLAS, TX 75229
PHONE: 214.956.8500

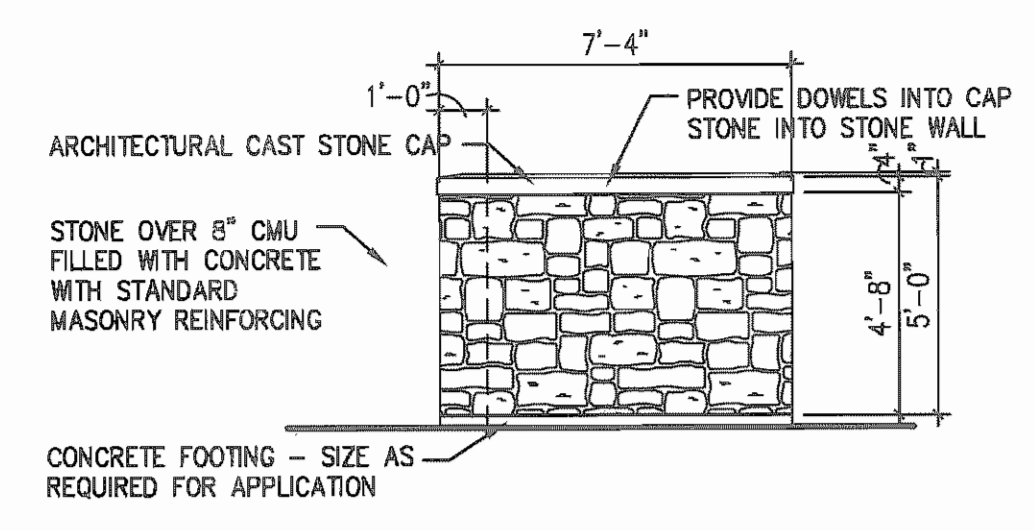
SITE / BUILDING DATA:
TOTAL SITE AREA: 1.07 ACRES (46,451 S.F.) 100%
IMPERVIOUS AREA: .67 ACRES (29,359 S.F.) 64%
LANDSCAPE AREA: .39 ACRES (17,092 S.F.) 36%

BUILDING DATA:
HEIGHT OF BUILDING: 27' (ON EAST ELEVATION)
29.8' (ON WEST ELEVATION)

PARKING:
REQUIRED: 5,555 / 300 S.F. = 19 SPACES
PROVIDED: STANDARD: 23 SPACES
HANDICAPPED: 1 SPACE = 24 SPACES

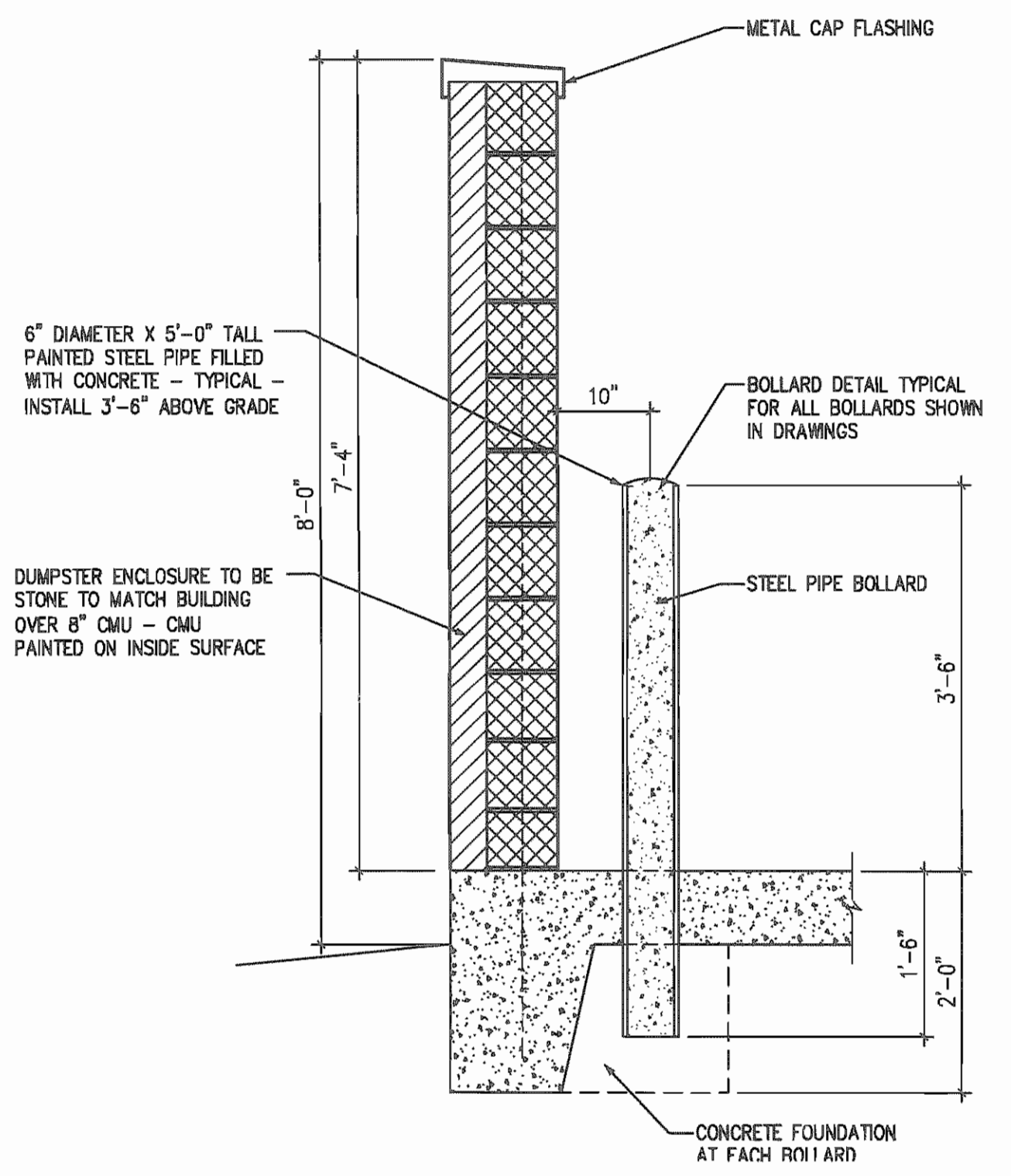
GENERAL NOTES

- GENERAL SITE PLAN NOTES:**
1. ALL FIRE LANES IF PROVIDED SHALL BE MARKED PER THE CITY OF ROCKWALL STANDARDS.
 2. ANY DETENTION AREA PROVIDED SHALL BE DESIGNATED IN A DETENTION AND DRAINAGE EASEMENT.
 3. FDC CONNECTION IS SHOWN WITHIN 50' OF AN EXISTING FIRE LANE AND WITHIN 100' OF THE EXISTING FIRE HYDRANT LOCATED ON RIDGE ROAD.
 4. A DUMPSTER, IF PROVIDED, CANNOT BE LOCATED IN ANY EASEMENT.
 5. NO TREES SHALL BE PLANTED WITHIN 5' OF ANY PUBLIC UTILITY PIPE.
 6. OWNER SHALL PROVIDE A FIRE FLOW TEST OF EXISTING WATER SUPPLY. FIRE DEPARTMENT SHALL BE ALLOWED TO WITNESS TEST.
 7. IF DUMPSTER IS PROVIDED, GATES ON THE DUMPSTER ENCLOSURE SHALL BE SELF LATCHING.
 8. DETENTION POND IS DESIGNED TO BE 2,900 S.F. UNDER CANOPY LIGHTING SHALL BE MOUNTED UP INTO THE CANOPY AND SHALL NOT EXCEED 35 FC.
 9. ALL SITE LIGHTING SHALL NOT EXCEED 20 FC UNLESS SPECIFICALLY FOR STATE MANDATED CODES FOR ATM SECURITY LIGHTING.
 10. ALL SITE LIGHTING SHALL NOT EXCEED 0.2 FC AT PROPERTY LINES UNLESS SPECIFICALLY FOR STATE MANDATED CODES FOR ATM SECURITY LIGHTING.
 11. ALL BUILDING AND POLE MOUNTED LIGHTING FIXTURES SHALL BE SHIELDED AND DIRECTED DOWN.
 12. HEIGHT OF LIGHT POLE INCLUDING BASE SHALL NOT EXCEED 20' IN HEIGHT.
 13. FINAL ROOF COLOR SHALL BE AGREED UPON BY APPROPRIATE CITY OFFICIALS PRIOR TO INSTALLATION.



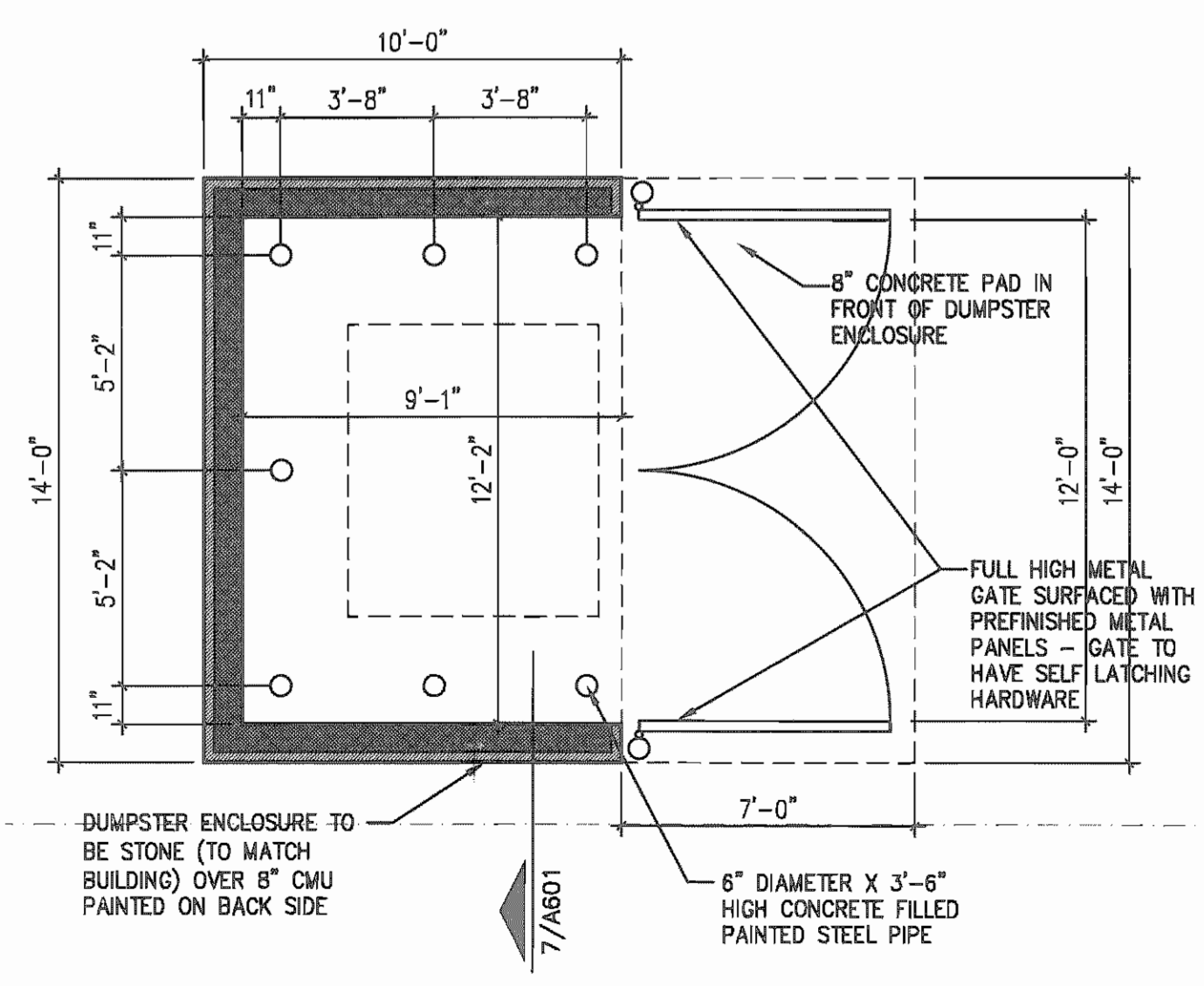
HVAC UNIT SCREEN ELEVATION
SCALE: 1/4" = 1'-0"

4



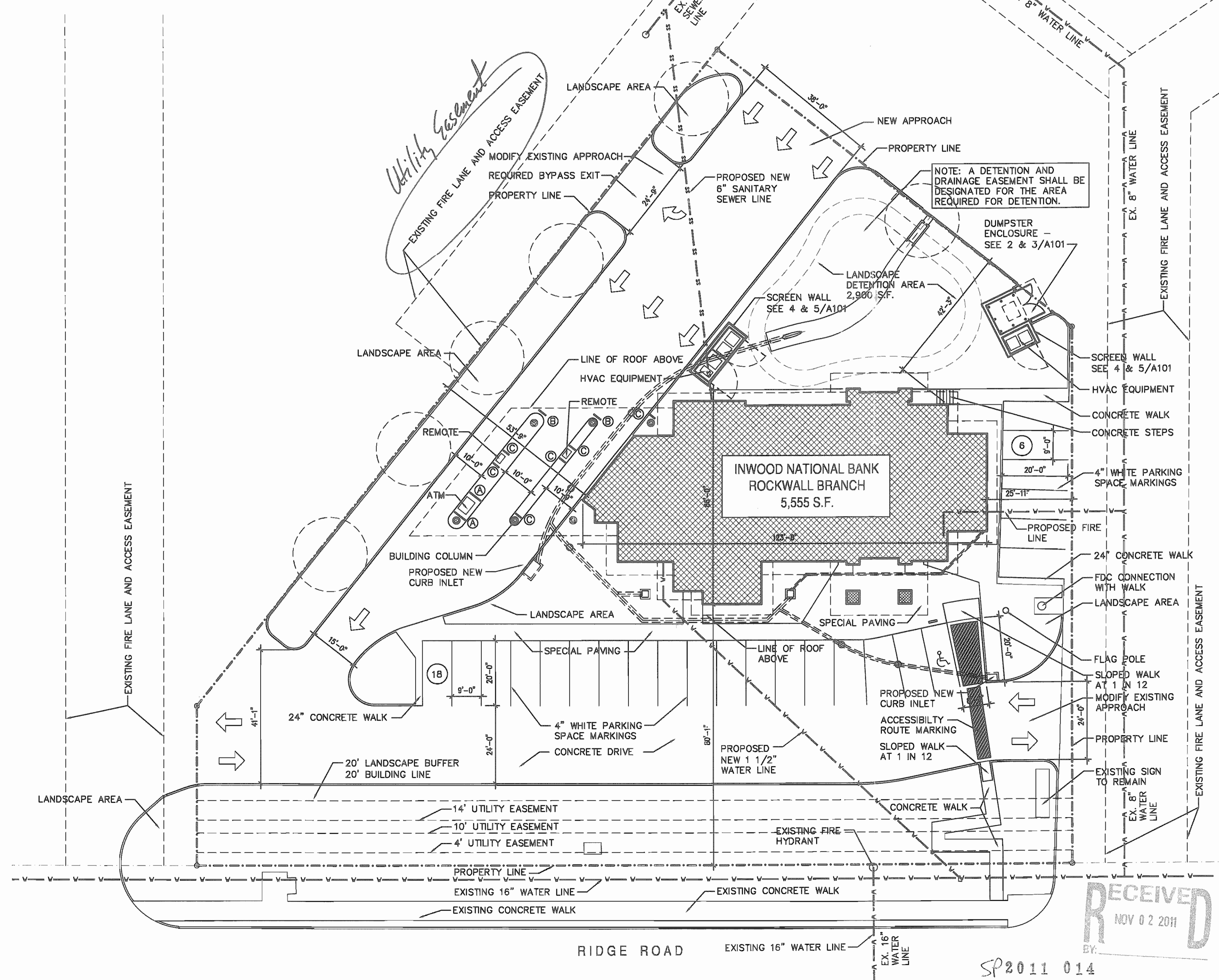
DUMPSTER PLAN
SCALE: 1/4" = 1'-0"

3



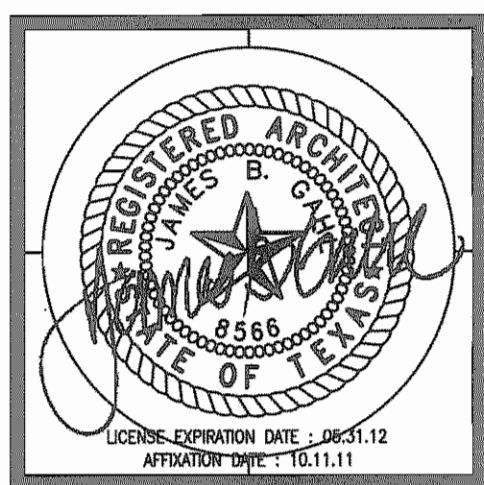
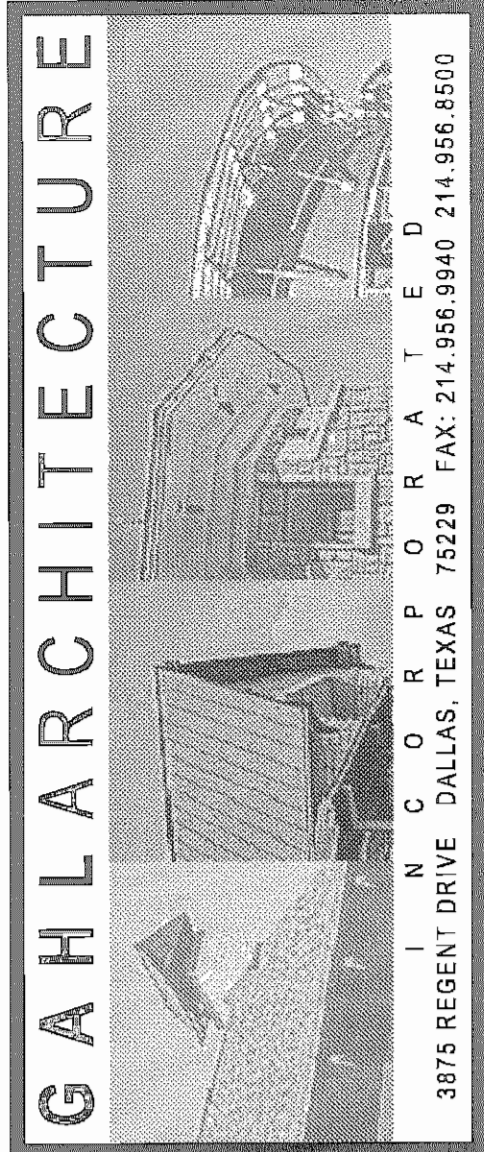
DUMPSTER PLAN
SCALE: 1/4" = 1'-0"

2



SITE PLAN
SCALE: 1" = 20'-0"

1



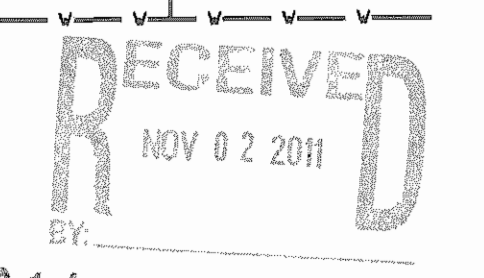
INWOOD NATIONAL BANK
ROCKWALL, TEXAS

DATE:	ISSUED FOR:
03.30.11	OWNER REVIEW
06.15.11	OWNER REVIEW
08.03.11	OWNER REVIEW
09.21.11	OWNER REVIEW
10.11.11	SITE PLAN SUBMITTAL
11.02.11	SITE PLAN RE-SUBMITTAL

SITE PLAN

A101
SHEET NUMBER

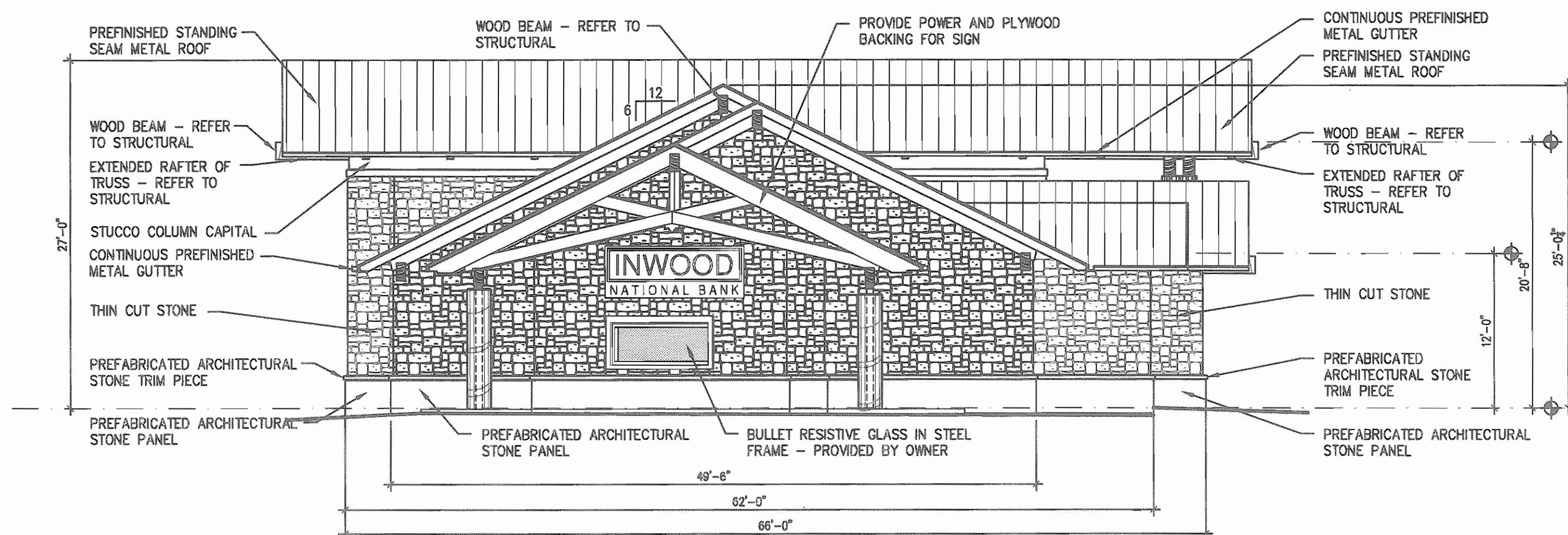
PROJECT NUMBER
2011-08



SP2011 014

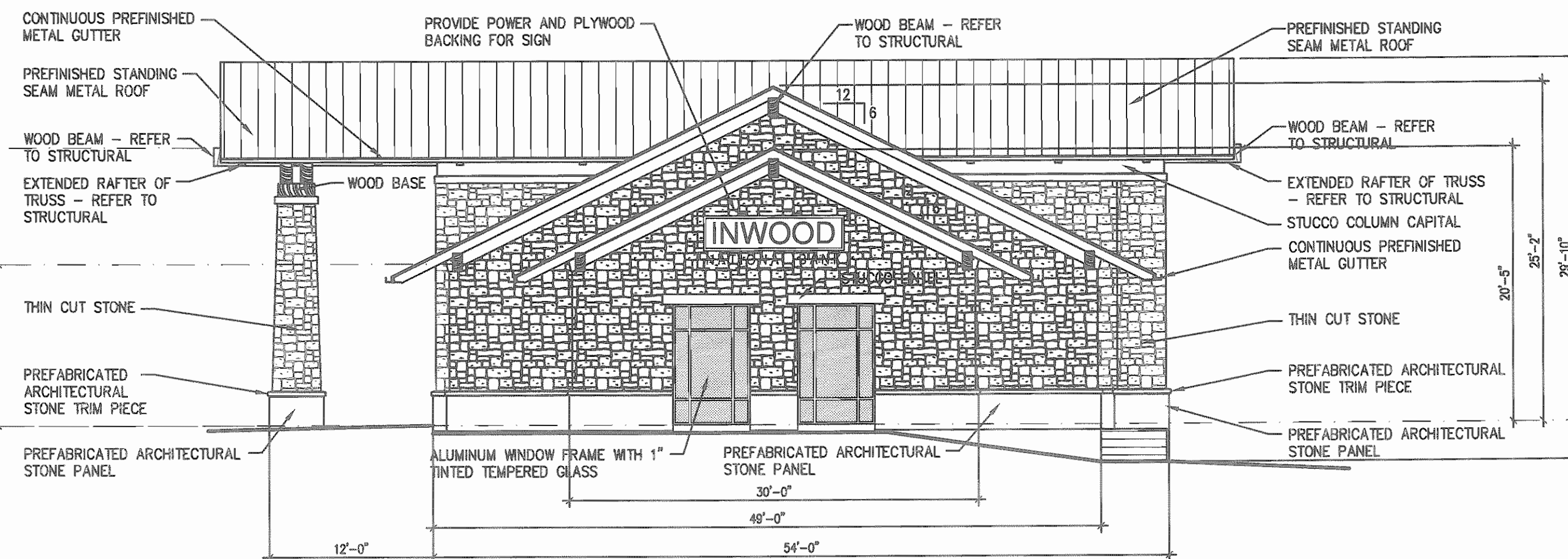
FILE COPY

"Not for regulatory approval, permitting or construction."



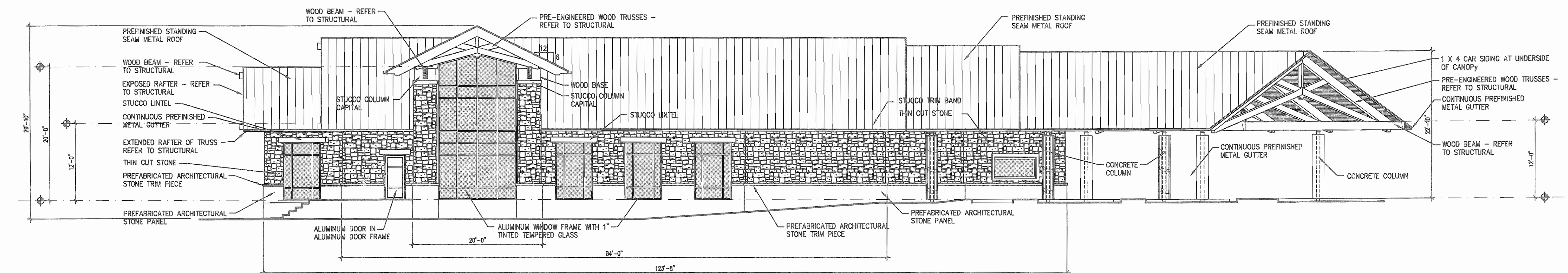
EXTERIOR ELEVATION - SOUTH
SCALE: 1/8" = 1'-0"

4



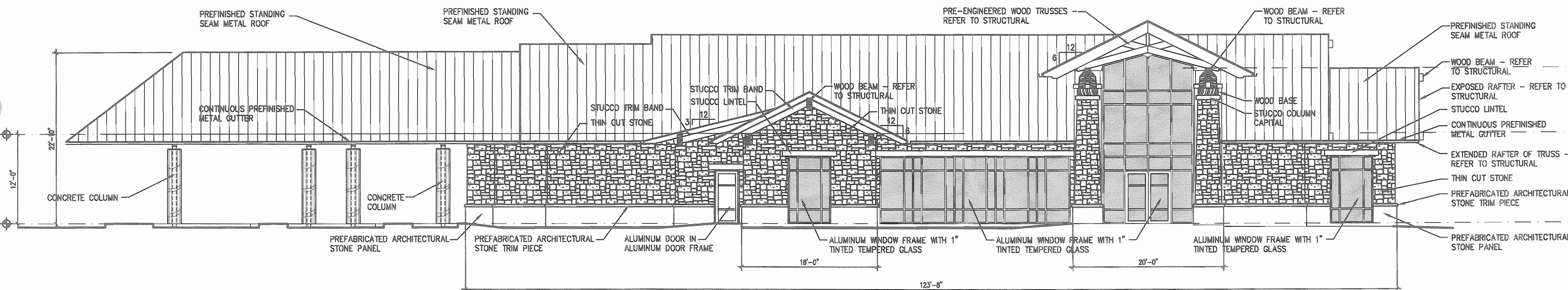
EXTERIOR ELEVATION - NORTH
SCALE: 1/8" = 1'-0"

3



EXTERIOR ELEVATION - WEST
SCALE: 1/8" = 1'-0"

2

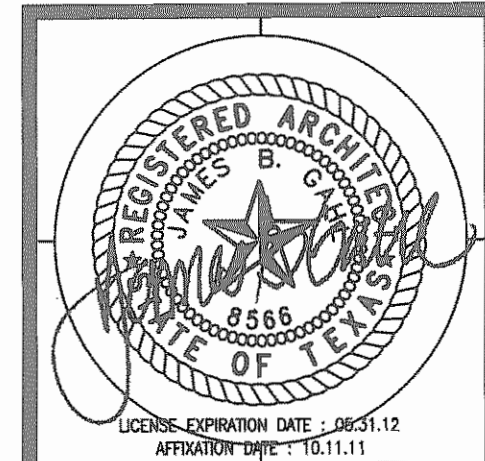
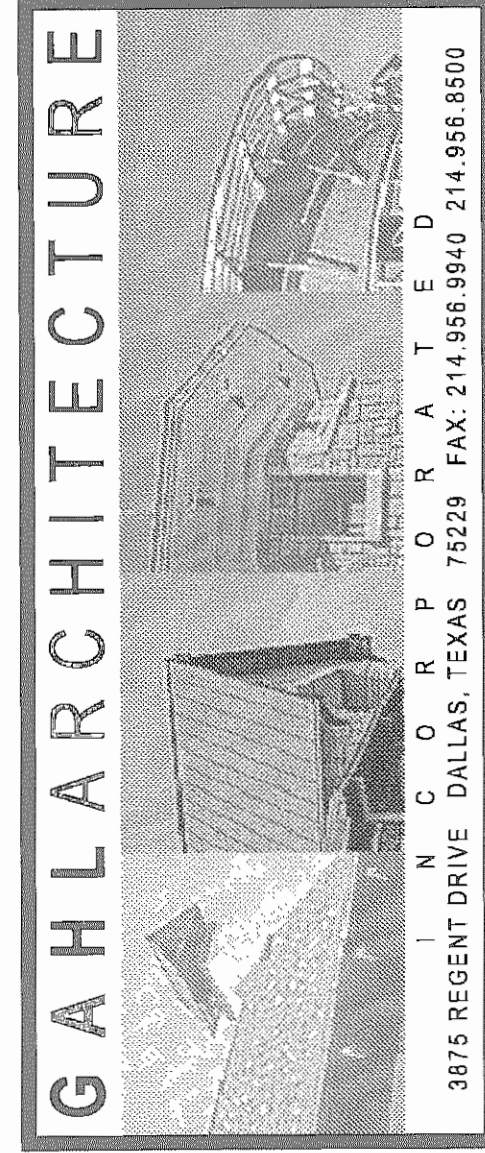


EXTERIOR ELEVATION - EAST
SCALE: 1/8" = 1'-0"

1

Inwood National Bank - Material Tabulations

Elevation	S.F.	Wall %
North Elevation		
Main Wall - Gross Tabulation	1402	
Openings	-150	
Main Wall - Net Wall Area	1252	
Stone Wall Material	528	46.13%
Cast Stone Wall Area	160	12.78%
Stucco Wall Area	185	14.80%
Wood Accents	78	6.24%
	1252	100.00%
South Elevation		
Main Wall - Gross Tabulation	1489	
Openings	-37	
Main Wall - Net Wall Area	1449	
Stone Wall Material	1303	96.27%
Cast Stone Wall Area	700	13.81%
Stucco Wall Area	157	10.36%
Wood Accents	95	6.56%
	1448	100.00%
East Elevation		
Main Wall - Gross Tabulation	1891	
Openings	-411	
Main Wall - Net Wall Area	1480	
Stone Wall Material	312	20.70%
Cast Stone Wall Area	205	13.85%
Stucco Wall Area	95	7.36%
Wood Accents	78	6.05%
	1290	100.00%
West Elevation		
Main Wall - Gross Tabulation	1560	
Openings	-483	
Main Wall - Net Wall Area	1077	
Stone Wall Material	710	66.40%
Cast Stone Wall Area	181	16.81%
Stucco Wall Area	85	7.89%
Wood Accents	95	8.82%
	1077	100.00%



INWOOD NATIONAL BANK
ROCKWALL, TEXAS

DATE:	ISSUED FOR:
03.30.11	OWNER REVIEW
08.15.11	OWNER REVIEW
08.03.11	OWNER REVIEW
09.21.11	OWNER REVIEW
10.11.11	SITE PLAN SUBMITTAL
11.02.11	SITE PLAN RE-SUBMITTAL

EXTERIOR ELEVATIONS

A601
SHEET NUMBER
PROJECT NUMBER
2011-08



Artists Conceptual Rendering

(Final color selections shall be based upon rock quarry availability and material manufacturer selections)

**Inwood National Bank
Rockwall Branch**

599 Highway I-30, Rockwall, Texas 75087



Wood Beams



Cast Stone Base



Accent Stone

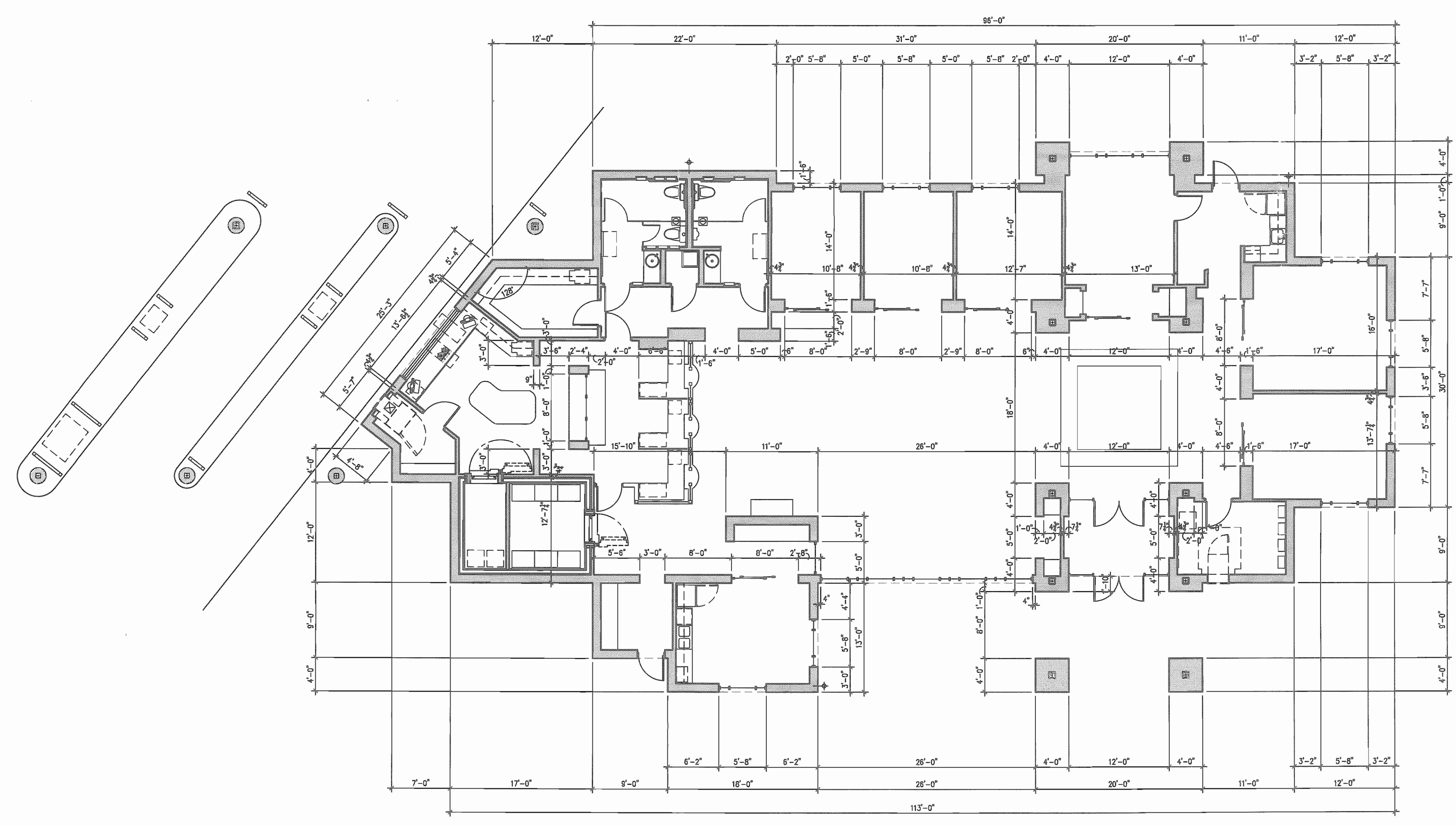


Primary Field Stone

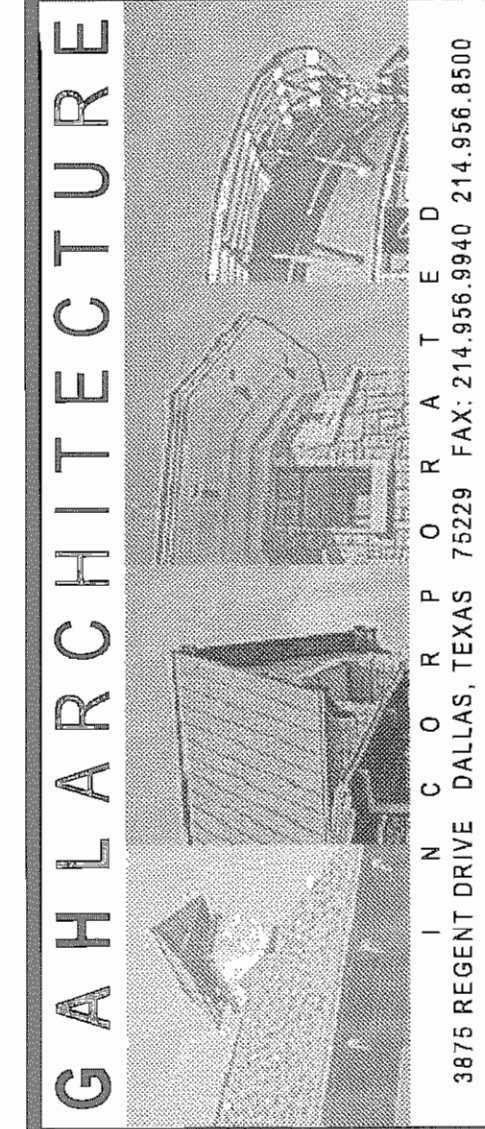
(Owner reserves the right to adjust color selections based upon availability, costs and manufacturer selection)

"Not for regulatory approval, permitting or construction."

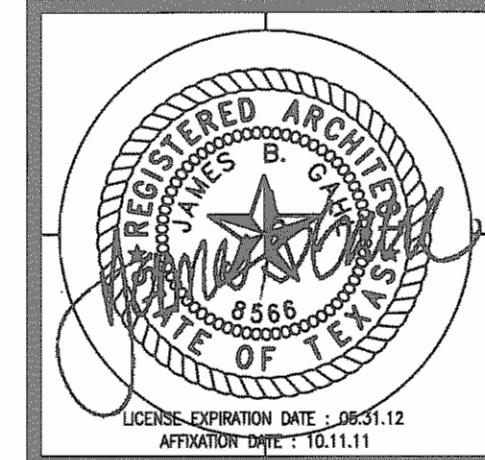
GENERAL NOTES



FLOOR PLAN - DIMENSIONS
SCALE: 1/8" = 1'-0"



GAHL ARCHITECTURE
L I N C O R P O R A T E D
3875 REGENT DRIVE DALLAS, TEXAS 75229 FAX: 214.956.9940 214.956.8500



**INWOOD
NATIONAL BANK
ROCKWALL, TEXAS**

DATE:	ISSUED FOR:
03.30.11	OWNER REVIEW
05.15.11	OWNER REVIEW
08.03.11	OWNER REVIEW
09.21.11	OWNER REVIEW
10.11.11	SITE PLAN SUBMITTAL
11.02.11	SITE PLAN RE-SUBMITTAL

FLOOR - DIMENSIONS

A201
SHEET NUMBER
PROJECT NUMBER
2011-08

PLANTS LEGEND

QUANT	PLANT NAME	SIZE	SPACE	NOTES
8 - RO	TEXAS RED OAK TREE	6" CAL.	---	CONTAINER - SINGLE TRUNK 14' HT
4 - DC	BALD CYPRESS TREE	4" CAL.	---	BAWD + BURLAP 10' HT 4' SPREAD
2 - YHT	YAUPOH HOLLY TREE	8' HT.	---	CONTAINER - MULTI TRUNK 4' 8" x 8" SPREAD
14 - MRS	MELIE R. STEVENS HOLLY	7 GAL	5' O.C.	4" HIGH 3' SPREAD
28 - I	INDIAN HAWTHORN 'SNOW'	3 GAL	3' O.C.	16" HIGH 18" SPREAD
20 - W	PITOSPORUM 'WHEELERS DW.'	3 GAL	2' 6" O.C.	14" HIGH 14" SPREAD
11 - P	LOROPETALUM 'PIXIE'	3 GAL	2' O.C.	6" HIGH 14" SPREAD
36 - G	AUTUMN MUHLEY GRASS	3 GAL	3' O.C.	24" HIGH 20" SPREAD
13 - Y	RED YUCCA	3 GAL	3' O.C.	24" HIGH 20" SPREAD
35 - GGL	GIANT GREEN LIKICPE	1 GAL	2' O.C.	12" HIGH 12" SPREAD
40 - B	DWARF BURFORD HOLLY	3 GAL	3' O.C.	20" HIGH 16" SPREAD
9 - R	DRIFT ROSE 'RED'	2 GAL	2' O.C.	12" HIGH 16" SPREAD
120 - AJ	ASIAN JASMINE	4" POT	8" O.C.	6" x 6"
14 - C	FLOWER CARPET ROSE 'RED'	3 GAL	2' O.C.	18" HIGH 16" SPREAD
	LAWN / BERMUDA / TEX TURF-10			SOD ALL 'LAWN' AREAS SOLID WITH SOD

PROJECT: INWOOD NATIONAL BANK ROCKWALL BRANCH

ADDRESS: 599 EAST I-30, ROCKWALL, TEXAS

LANDSCAPE PLAN SHEET ONE

DATE: 10.1.2011

SCALE: 1" = 10'



NOTES:

- OWNER: INWOOD NATIONAL BANK
7621 INWOOD ROAD
DALLAS TEXAS 75209
PHONE: 214.358.5281
- PLAN BY: COVINGTON'S NURSERY & LANDSCAPE CO.
5518 LIBERTY GROVE ROAD
ROWLETT TEXAS 75089
PHONE: 972.475.5888 / EXT. 108 / STEVE MALONE
- ALL BEDS SHALL BE BORDERED BY 'PERSON' STEEL EDGING.
- 2" OF SHREDDED HARDWOOD MULCH SHALL BE APPLIED TO ALL BEDS.
- LOT = 46,450 SQ. FT.
PARKING AREA = 4480 SQ. FT.
LANDSCAPED AREA INTERNAL TO PARKING AREA = 3692 SQ. FT. 82 8
BLDG SQ. FT. = 5555 SQ. FT.
- NO TREES TO BE PLANTED WITHIN 5' OF ANY PUBLIC UTILITY.

LOT & BLOCK DESCRIPTION:

SURVEYORS LEGAL

Being Lot 4 of Carlisle Plaza Addition to the City of Rockwall, Rockwall County, Texas, according to the plat thereof recorded in Slide B, Page 136 of the map records of Rockwall County, Texas, Except the part of said Lot 4 dedicated for Street Widening by said Carlisle Plaza Addition Plat, and being described more particularly as follows:

Beginning at a steel pin in concrete at the intersection of the northerly line of said Lot 4 with the widened westerly line of Ridge Road, F.M. 740, 50.0 feet westerly of its center line;

Thence N 83 degrees 14' 10" W, a distance of 165.00 feet to a steel pin in concrete at the north corner of said Lot 4;

Thence S 45 degrees 05' 33" W, a distance of 138.27 feet to a steel pin in concrete at the west corner of said Lot 4;

Thence S 44 degrees 54' 27" E, a distance of 257.14 feet to a steel pin in concrete at the southwest corner of said Lot 4;

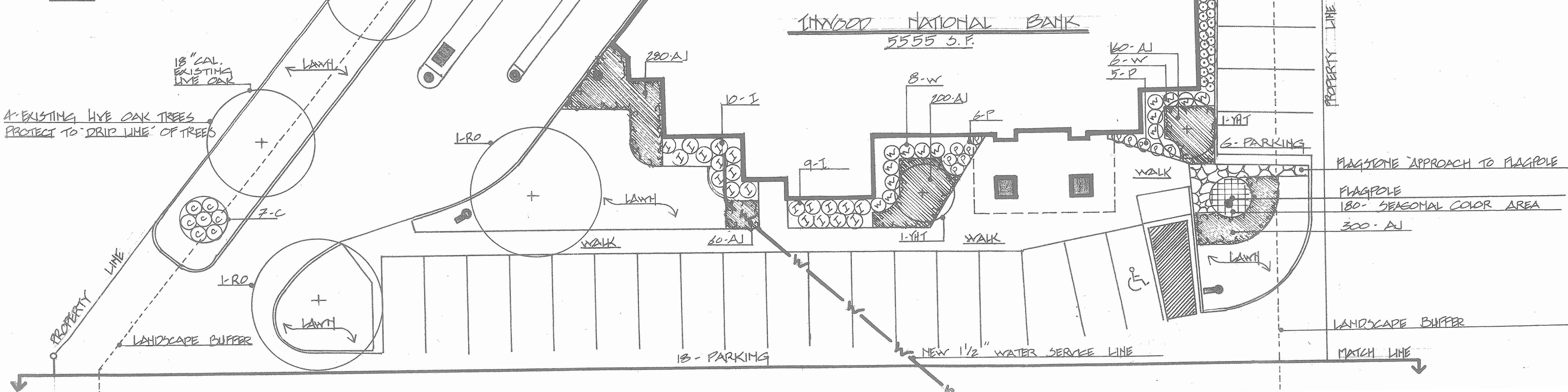
Thence S 83 degrees 14' 10" E, along the south line of Lot 4, a distance of 49.03 feet to a street rod for corner on said west line of Ridge Road;

Thence N 06 degrees 45' 50" E, along the widened west line of Ridge Road, a distance of 287.94 feet to the piece of beginning;

Containing 46,451 square feet of land, more or less.

LANDSCAPE TABLE:

CALCULATION OF 'LANDSCAPED AREA'
IS: 37 8 LANDSCAPED



4 - EXISTING LIVE OAK TREES
PROTECT TO 'DRIP LINE' OF TREES

LANDSCAPE BUFFER

13 - PARKING

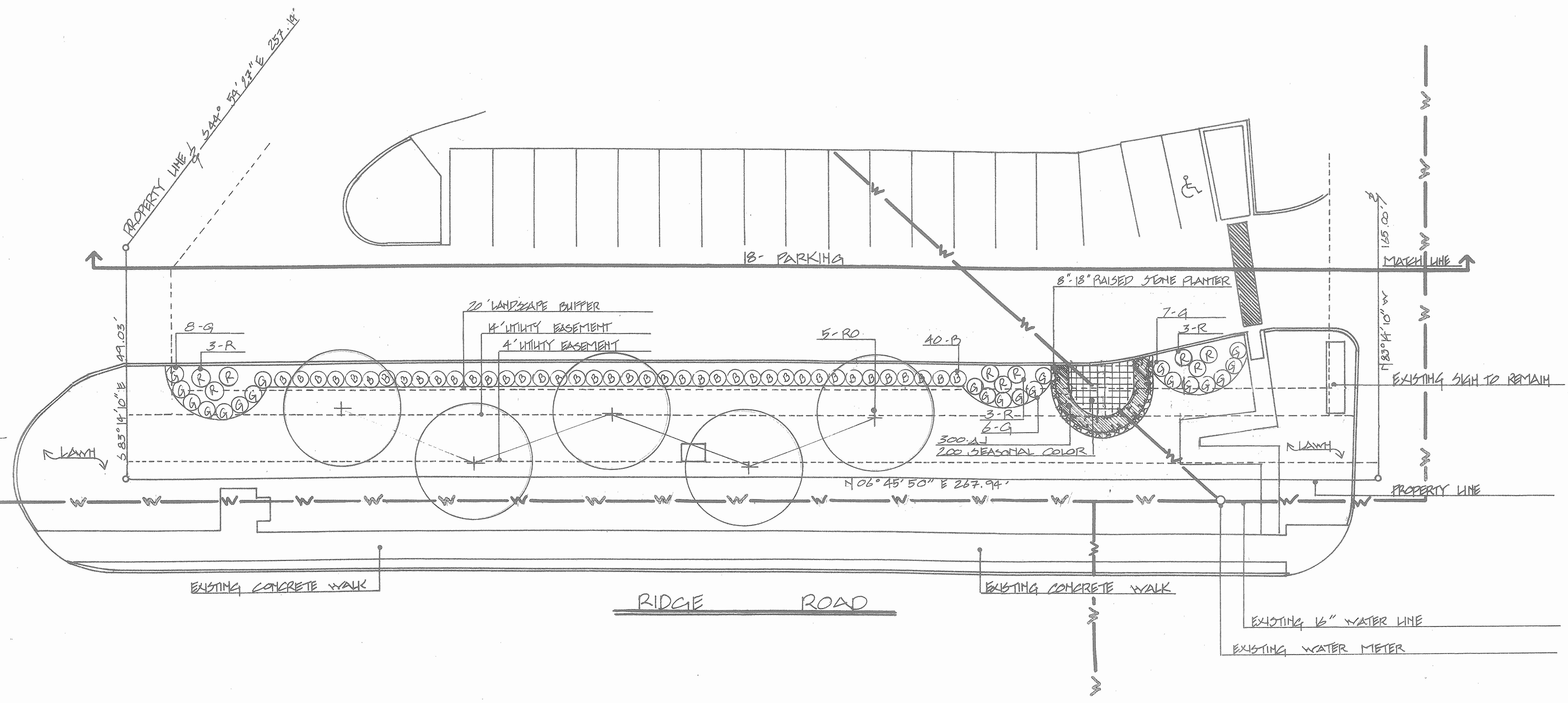
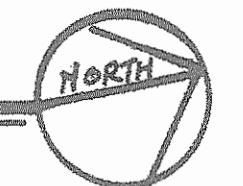
NEW 1/2" WATER SERVICE LINE

MATCH LINE

INWOOD NATIONAL BANK
5555 S.F.

FLAGSTONE APPROACH TO FLAGPOLE
FLAGPOLE
180' SEASONAL COLOR AREA
300 - AJ

LANDSCAPE BUFFER



TREE CREDIT TABLE FOR EXISTING TREES ON SITE

EXISTING PRESERVED TREES (LIVE OAKS) = 64 CAL. INCHES
 PROVIDED AMOUNT @ FRONTAGE (RED OAKS) = 30 CAL. INCHES
 REQUIRED AMOUNT @ FRONTAGE = 43 CAL. INCHES
 20 of 64" = 13" : 13+30 = 43"

TREESCPE PLAN

DATE: 10.1.2011

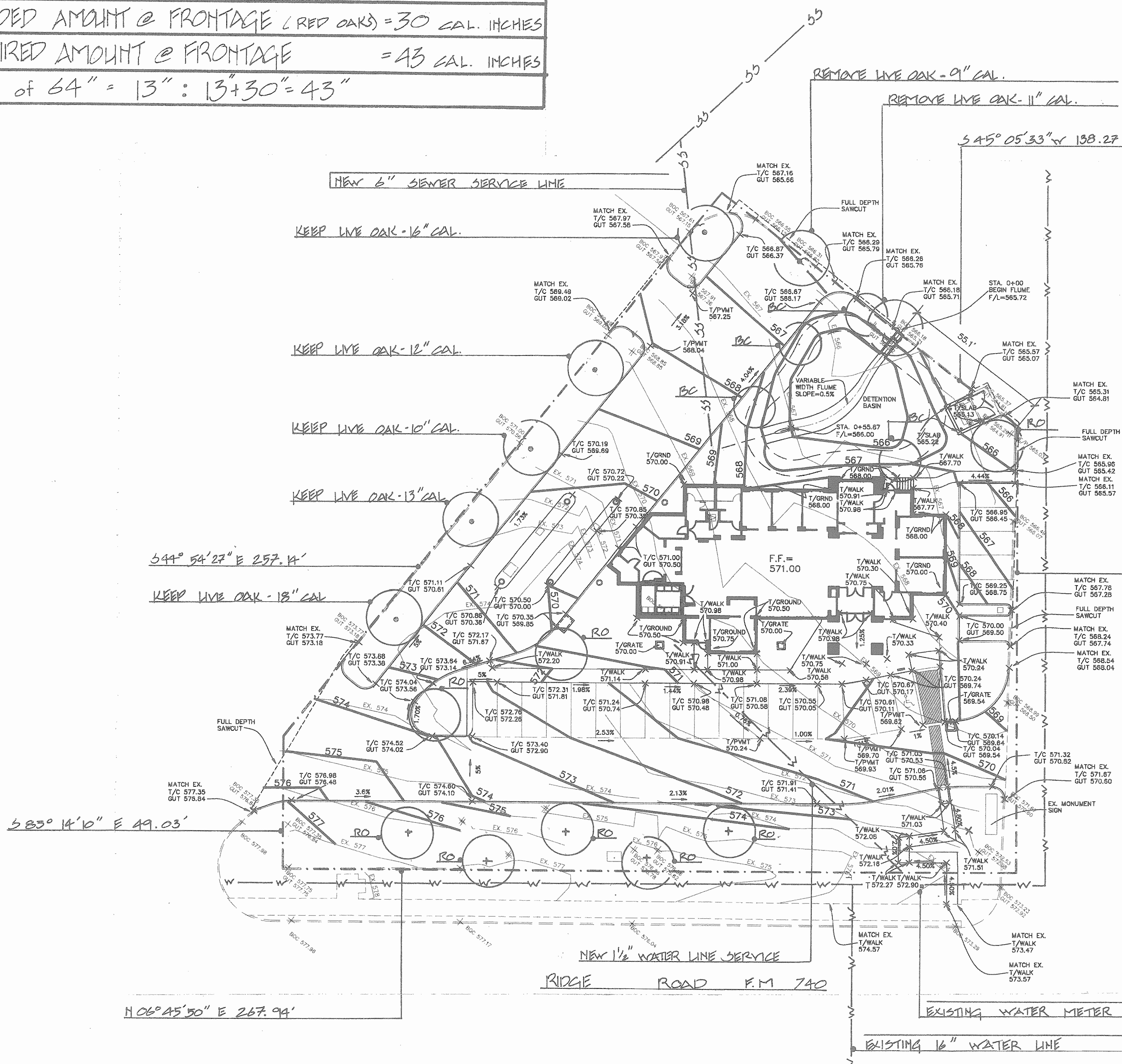
SCALE: 1" = 20'



NOTES:

- PROJECT NAME: INWOOD NATIONAL BANK - ROCKWALL BRANCH
 ADDRESS: 599 EAST I-30 ROCKWALL, TEXAS
- OWNER: INWOOD NATIONAL BANK
 1621 INWOOD ROAD
 DALLAS, TEXAS 75209
 PHONE: 214-538-5281
- PLAN BY: COMMINGTON'S NURSERY & LANDSCAPE CO.
 5518 LIBERTY GROVE ROAD
 ROCKWALL, TEXAS 75089
 PHONE: 972-475-5888 / EXT. 108 / STEVE MALONE
- LOT BLOCK DESCRIPTION: SURVEYORS LEGAL

SURVEYORS LEGAL
 Being Lot 4 of Carlisle Plaza Addition to the City of Rockwall, Rockwall County, Texas, according to the plat thereof recorded in Slide B, Page 136 of the map records of Rockwall County, Texas, except the part of said Lot 4 dedicated for Street Widening by said Carlisle Plaza Addition Plat, and being described more particularly as follows:
 Beginning at a steel pin in concrete at the intersection of the northerly line of said Lot 4 with the widened westerly line of Ridge Road, F.M. 740, 50.0 feet westerly of its center line;
 Thence N 83 degrees 14' 10" W, a distance of 165.00 feet to a steel pin in concrete at the north corner of said Lot 4;
 Thence S 45 degrees 05' 33" W, a distance of 138.27 feet to a steel pin in concrete at the west corner of said Lot 4;
 Thence S 44 degrees 54' 27" E, a distance of 257.14 feet to a steel pin in concrete at the southwest corner of said Lot 4;
 Thence S 83 degrees 14' 10" E, along the south line of Lot 4, a distance of 49.03 feet to a street rod for corner on said west line of Ridge Road;
 Thence N 06 degrees 45' 50" E, along the widened west line of Ridge Road, a distance of 267.94 feet to the place of beginning;
 Containing 45,451 square feet of land, more or less.



1. TOTAL INCHES OF TREES BEING REMOVED = 20" CAL.
2. TOTAL INCHES OF NEW TREES = 64" CAL.

REPLACEMENT TREES
 RO = RED OAK-TEXAS - 6" CAL.
 BC = BALD CYPRESS - 4" CAL.

NOTE: TREES WHICH ARE KEPT SHALL BE MARKED AND THE DRIP LINE OF THOSE TREES SHALL BE PROTECTED PRIOR TO AND DURING ALL CONSTRUCTION - INCLUDING ALL DIRT WORK.

NOTE: NO TREES TO BE PLANTED WITHIN 5' OF ANY PUBLIC UTILITY.

Luminaire Schedule									
Symbol	Qty	Label	Total Lamp Lumens	Description	Wattage	LLD	LDD	BF	LLF
+	1	S1	24150	G18-1-4XL-210MCE	210 watts	0.900	0.900	1.000	0.810
-	6	S2	24150	G18-1-BLC-210MCE	210 watts	0.900	0.900	1.000	0.810
+	3	S4	5900	KAT-1/70W/CMH	70 watts	0.740	0.900	1.000	0.666
○	6	SP	3105	PHC1/75-142T-BRZ-CS-EB2-UNV	70 watts	0.860	0.900	1.000	0.774
+	6	SP1	14500	M154-150G-W-00-0	150 watts	0.800	0.900	1.000	0.720
+	6	SFL	2000	EV-59-_-9-11	210 watts	0.800	0.900	1.000	0.720
+	12	SS	3492	OW1048-2QF26	(2) 26 watts = 52 W	0.860	0.900	1.000	0.774

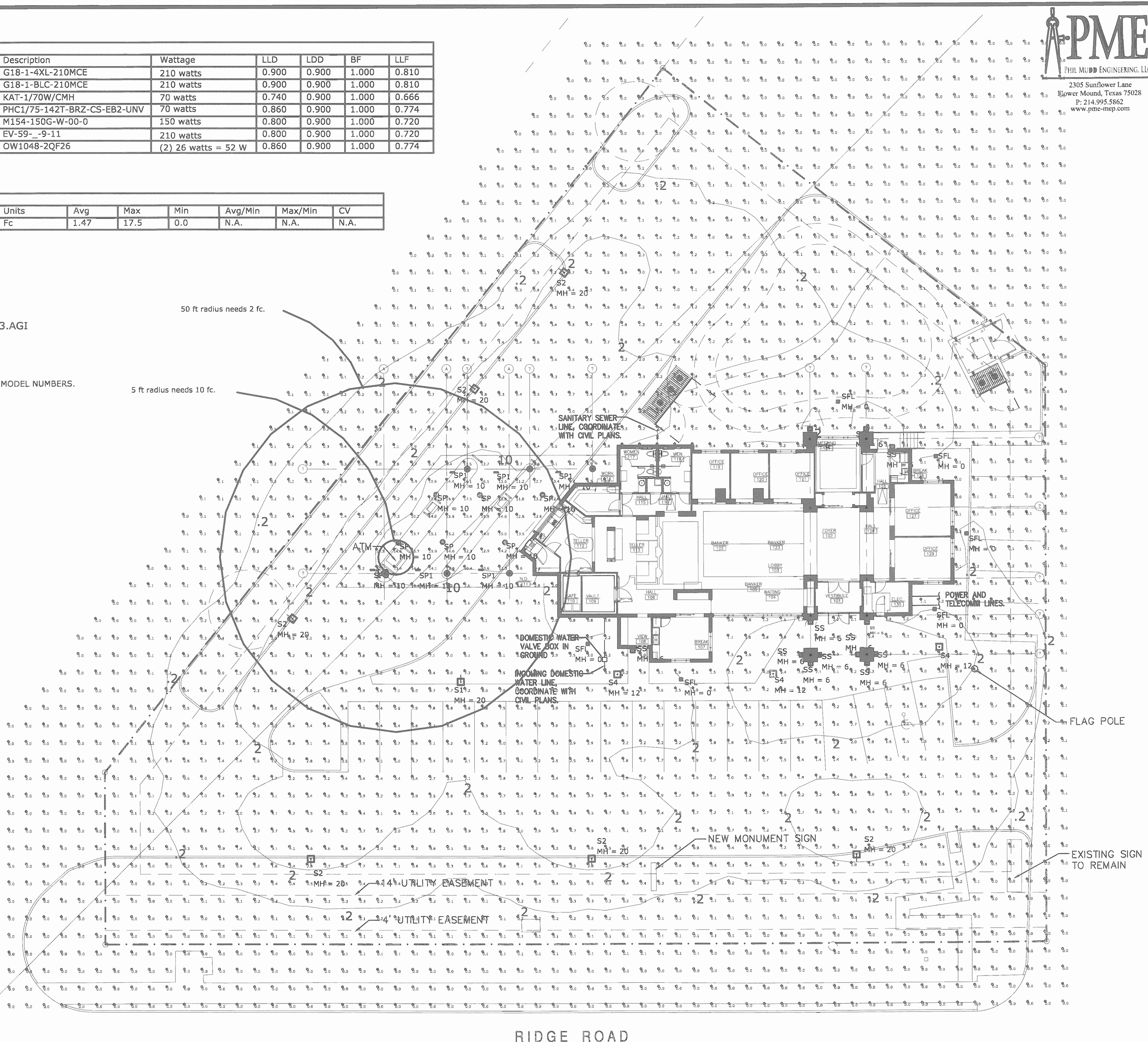
Calculation Summary									
Label	CalcType	Units	Avg	Max	Min	Avg/Min	Max/Min	CV	
SITE_Planar	Illuminance	Fc	1.47	17.5	0.0	N.A.	N.A.	N.A.	

PROJECT NAME: INWOOD BANK - ROCKWALL
 SALESMAN ASSIGNED: JOE BARNES
 FILE NAME: Inwood bank - Rockwall_111005_V3.AGI

- NOTES:
 1. REFLECTANCES USED: 50 ON BUILDING, 20 ON GRADE
 2. MOUNTING HEIGHTS: AS SHOWN
 3. CALCULATION VALUES SHOWN AT GRADE.
 4. IES DESCRIPTIONS DO NOT NECESSARILY REFLECT SPECIFICATION MODEL NUMBERS.
 CONTACT SALESPERSON FOR VERIFICATION.

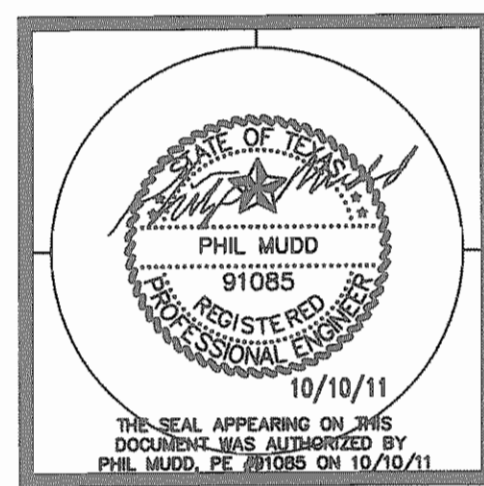
Architectural Lighting Associates
 101 Turtle Creek Boulevard
 Dallas, Texas 75207
 Tel 214.658.9000
 Fax 214.658.9002
 www.ala-inc.net

SCALE: 1" = 16'



PME
 PHIL MUDD ENGINEERING, LLC
 2305 Sunflower Lane
 Lower Mound, Texas 75028
 P: 214.995.5862
 www.pme-mep.com

GAHL ARCHITECTURE
 INCORPORATED
 3875 RECENT DRIVE DALLAS, TEXAS 75229 FAX: 214.958.9940 214.958.8500



INWOOD NATIONAL BANK
ROCKWALL, TEXAS

DATE: 10.10.11 11.02.11	ISSUED FOR: SITE ISSUE SITE PLAN RE-SUBMITTAL
-------------------------------	---

SITE PLAN - ELECTRICAL AND PLUMBING

EP100
 SHEET NUMBER
 PROJECT NUMBER
 2011-08

SITE PLAN - ELECTRICAL AND PLUMBING
 SCALE: 1" = 20'-0"





Crawford Electric Supply Company, Inc.

10444 N Stemmons Frwy, · Dallas, TX 75220
Ph: (972)869-3633, Fax: (972)869-0533

LIGHT FIXTURE SUBMITTAL

INWOOD NATIONAL BANK
ROCKWALL

PRESENTED TO:
SCOTT-DEL ELECTRIC INC
DALLAS, TEXAS

INWOOD NATIONAL BANK ROCKWALL

INDEX

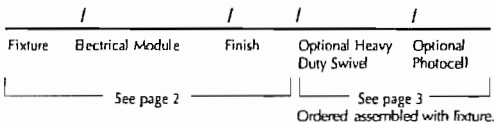
<u>TYPE</u>	<u>MANUFACTURER / CATALOG NUMBER</u>
A	COLUMBIA# TRA22-217G-CLO-EPU-F0835
AE	COLUMBIA# TRA22-217G-CLO-EPU-F0835-EL
B	PRESCOLITE# LF6CFV32EB/6CFV
BE	PRESCOLITE# LF6CFV32EBEM/6CFV
BD	PRESCOLITE# LF6CFV32EB DM/6CFV
C	PRESCOLITE# LF6CFV32EB/6CFV BB SCA6DX
CE	PRESCOLITE# LF6CFV32EBEM/6CFV BB SCA6DX
D	PRESCOLITE# LF6CFV32EB DM/6CFV WM
F	ANP LIGHTING# VP06 #57 PL42 120V ASC/RBHC #51
G	LUMOS# PM-C-55BX-9245-A 52" COPPER BOWL
G2	LUMOS# PM-C-36BX-9246-A 40" COPPER BOWL
G3	LUMOS# PM-C-18BX-9247-A 24" COPPER BOWL
G4	LUMOS# PM-C-36BX-9248-A 33" COPPER BOWL
H	LIGHTING SERVICES INC# SSLN16 24 43K 00 B WALL AIMING BLACK
H	LIGHTING SERVICES INC# 31210B 4'/31200/30203
H2	LIGHTING SERVICES INC# SSLN16 12 42K 00 B
H2	LIGHTING SERVICES INC# 31210B 4'/31200/30203
J	TWO HILLS STUDIO# CWS36L
K	KIM LIGHTING# AFL12/150PMH120/BL/DB
M	PRESCOLITE# HV13P250P 120V DCB BZ
N	STERNBERG# 2-1960FFG-BTSR/OGSPT/1450T4/09.5/59MH MT MEDIUM/R05H-S/DBT
P	Sternberg # 2-1970FFG-BTSR/OGSPT/550T5-3/20' 250MH MT/MEDIU/R05H-S/DBT

R STERNBERG# 1970FFG-BTSR/TRSLWB/50MHP120V MED/R03H-S/DBT
S KIM LIGHTING# AFL12/70PMH208/DB/BD/DB
UC KENALL# UCSD48 1F32T8 IS VOLTAGE
X ISOLITE# ELTEMR1CWHRUCU
XX ISOLITE# ELEDEMBZH1
LL SIGNAL-TECH# TCILH-RG
CONTROL LEVITON# R32TC-100 RELAY CABINET 32 RELAY SIZE
CONTROL LEVITON# RPM08-108 COMMAND MODULE
CONTROL LEVITON# R1600-16 POSITION RELAY INSERT-LESS RELAYS
CONTROL LEVITON# R1616-1CB-16 RELAY INSERT PANEL
CONTROL LEVITON# RHDU1 HAND HELD DISPLAY UNIT
CONTROL LEVITON# RELAY BFM BLANK FILTER MODULE
CONTROL LEVITON# RELAY-1CB 1 POLE
CONTROL LEVITON# RELAY-ECB 2 POLE
CONTROL LEVITON# RDGSW-2DW DIGITAL SWITCH
CONTROL LEVITON# POUCT OUTDOOR PHOTOCELL



AFL10
Architectural Floodlights
revision 10/1/08 • afl10.pdf

Type:
Job:
Fixture Catalog number:



Fixture Options:

Ordered Separately from Fixture
See pages 4-5

Mounting Options:

Ordered Separately from Fixture
See pages 6-13

Approvals:

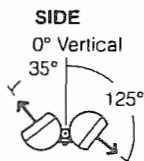
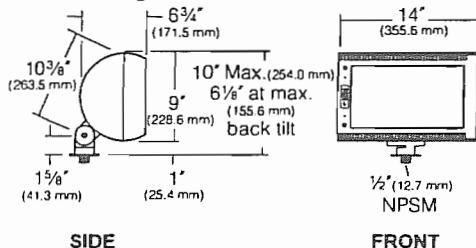
Date:
Page: 1 of 13

Specifications

Dimensions

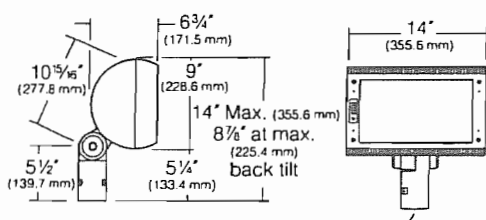
AFL10 Models
70 to 150 watt HID
Medium Base Lamps

with **STANDARD SWIVEL**
Maximum weight: 24 lb

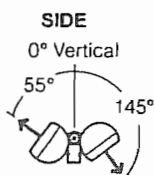


AIMING RANGE
May be limited by selected mounting option as shown on pages 6-10

with **OPTIONAL HEAVY DUTY SWIVEL**
Maximum weight: 25 lb



Slips over 2" pipe-size tenon (50.8 mm)
(2 3/8" O.D. (60.3 mm) X 3 1/2" min. (88.9 mm) length)



AIMING RANGE
May be limited by selected mounting option as shown on pages 10-13

Housing: One-piece die-cast, low copper (<0.6% Cu) aluminum in a cylindrical shape with integral cooling fins over the entire length, and 1/8" minimum wall thickness. One-piece silicone gasket between housing and door frame concealed when fixture is closed. Concealed integral cast slip hinges with stainless steel pins.

Door Frame: One-piece die-cast, low copper (<0.6% Cu) aluminum with integral cooling fins, 1/8" minimum wall thickness, mates with housing to create a continuous cylindrical shape. Concealed integral cast slip hinges allow removal without tools. Stop-arm provided to limit door frame opening. 3/16" thick clear tempered glass lens is sealed to the lens frame by a one-piece silicone gasket. Door frame secures to housing by four stainless steel recessed captive allen-head screws. Four tapped and plugged holes provided for attachment of options.

Standard Swivel: Die-cast aluminum with integral locking teeth providing 5° adjustment intervals. Stainless steel allen-head locking screw and 1/2" NPSM. Clear anodized prior to chromate conversion coating for added corrosion resistance.

Reflector Assemblies: Interchangeable in all seven AFL10 models. Specular Alzak® aluminum optical components mounted to aluminum frame. Reflector assembly snaps into fixture housing with spring clips. Sockets are 4KV porcelain medium base. (G-12 socket available for T-6 bi-pin 70 and 150 watt Pulse Start Metal Halide lamps. Consult factory.)

Electrical Components: All electrical components are UL and CSA recognized with leads extending out of the swivel. High power factor ballast rated -40°F starting for HPS and -20°F for PMH lamp modes. Optional photocell mounted with sensor on side of housing.

Finish: Super TGIC thermoset polyester powder coat paint, 2.5 mil nominal thickness, applied over a titanated zirconium conversion coating; 2500 hour salt spray test endurance rating. Standard colors are Black, Dark Bronze, Light Gray, Stealth Gray™, Platinum Silver or White. Custom colors are available and subject to additional charges, minimum quantities and longer lead times. Consult representative.

CAUTION: Fixtures must be grounded in accordance with national, state, and/or local electrical codes. Failure to do so may result in serious personal injury.



Listings and Ratings			
UL cUL 1598'	CE	IP67 Rated	25C Ambient

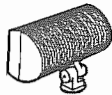
'Suitable for wet locations.
KIM LIGHTING RESERVES THE RIGHT TO CHANGE SPECIFICATIONS WITHOUT NOTICE.



AFL10
 Architectural Floodlights
 revision 10/1/08 • afl10.pdf

Type: _____ **Page: 2 of 13**

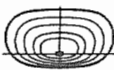



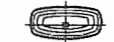
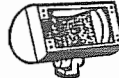

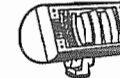

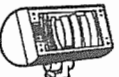
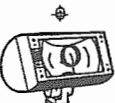

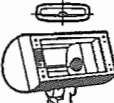

Job: _____



Standard Features

Fixture
 Cat. No. designates **AFL10** fixture and beam pattern.

Single fixture EPA with standard swivel:
 0.7 (45° tilt)
 1.0 (Face on)

Beam Pattern: Cat. No.:	  Wide Flood <input type="checkbox"/> AFL11	  Vertical Flood <input type="checkbox"/> AFL12	  Medium Flood <input type="checkbox"/> AFL13	  Narrow Flood <input type="checkbox"/> AFL14
Beam Pattern: Cat. No.:	  Spot <input type="checkbox"/> AFL15	  Narrow Spot <input type="checkbox"/> AFL16	  Horizontal Spot <input type="checkbox"/> AFL17	

Electrical Module:

HPS = High Pressure Sodium
PMH = Pulse Start Metal Halide

Cat. Nos. for Electrical Modules available:

<input type="checkbox"/> 70HPS120	<input type="checkbox"/> 100HPS120	<input type="checkbox"/> 150HPS120
<input type="checkbox"/> 70HPS208	<input type="checkbox"/> 100HPS208	<input type="checkbox"/> 150HPS208
<input type="checkbox"/> 70HPS240	<input type="checkbox"/> 100HPS240	<input type="checkbox"/> 150HPS240
<input type="checkbox"/> 70HPS277	<input type="checkbox"/> 100HPS277	<input type="checkbox"/> 150HPS277
<input type="checkbox"/> 70HPS347	<input type="checkbox"/> 100HPS347	<input type="checkbox"/> 150HPS347
<input type="checkbox"/> 70HPS480	<input type="checkbox"/> 100HPS480	<input type="checkbox"/> 150HPS480

Lamp	ED-17 Clear	ED-17 Clear	ED-17 Clear
Socket	Medium Base	Medium Base	Medium Base
ANSI Ballast	S-62	S-54	S-55

<input type="checkbox"/> 70PMH120	<input type="checkbox"/> 100PMH120	<input type="checkbox"/> 150PMH120
<input type="checkbox"/> 70PMH208	<input type="checkbox"/> 100PMH208	<input type="checkbox"/> 150PMH208
<input type="checkbox"/> 70PMH240	<input type="checkbox"/> 100PMH240	<input type="checkbox"/> 150PMH240
<input type="checkbox"/> 70PMH277	<input type="checkbox"/> 100PMH277	<input type="checkbox"/> 150PMH277
<input type="checkbox"/> 70PMH347	<input type="checkbox"/> 100PMH347	<input type="checkbox"/> 150PMH347
<input type="checkbox"/> 70PMH480	<input type="checkbox"/> 100PMH480	<input type="checkbox"/> 150PMH480

Lamp	ED-17 Clear	T-6 Clear	ED-17 Clear	ED-17 Clear	T-6 Clear
Socket	Medium Base	G12 Base ¹	Medium Base	Medium Base	G12 Base ¹
ANSI Ballast	M-98		M-90	M-102	

¹See Options for - 70W PMH and 150W PMH -T6 lamp with G12 Base selection.
NOTE: Due to the Energy Independence and Security Act (EISA) of 2007, Kim Lighting can no longer supply probe start metal halide ballasts with its luminaires, effective January 1, 2009. Contact Kim Lighting for availability of replacement ballasts for warranty service claims.
 (Visit www.aboutlightingcontrols.org or the Library of Congress website for more details).

Finish
 Super TGIC powder coat paint over a titanated zirconium conversion coating.

Color: Black Dark Bronze Light Gray Stealth Gray™ Platinum Silver White Custom Color²

Cat. No. BL DB LG SG PS WH CC

²Custom colors subject to additional charges, minimum quantities and extended lead times. Consult representative. Custom color description: _____

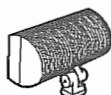
****BLACK FINISH AT MAIN ENTRY, AND BRONZE FINSH AT DRIVE-THRU****

**KIM LIGHTING**
AFL10
 Architectural Floodlights
 revision 10/1/08 • afl10.pdf

Type:

Job:

Page: 3 of 13



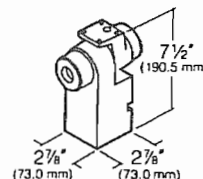
Optional Features

Ordered Assembled with Fixture

Heavy Duty Swivel
 Cat. No. HDS
 No Option

 Single fixture EPA with
 heavy duty swivel:
 0.8 (45° tilt)
 1.1 (Face on)

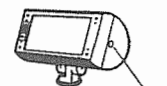
Cast low copper (<0.6% Cu) aluminum with locking teeth providing 5° adjustment intervals. 3/8" stainless steel locking bolt. Two 3/8" stainless steel set point screws secure swivel to any 2" pipe-size tenon (2 3/8" O.D. x 3 1/2" min. length). Clear anodized prior to chromate conversion coating for added corrosion resistance.

CAUTION: Recommended for vandal resistant requirements.
**Photocell**
 Cat. No. (see right)
 No Option

Factory installed with flush sensor on side of housing. Select photocell with same line volts as fixture.

CAUTION: Use only in locations where adjacent lighting will not affect operation of photocell.

Cat. No.	Line Volts		
<input type="checkbox"/> A-30	120V	<input type="checkbox"/> A-33	277V
<input type="checkbox"/> A-31	208V	<input type="checkbox"/> A-34	480V
<input type="checkbox"/> A-32	240V	<input type="checkbox"/> A-35	347V



Photocell Sensor


KIM LIGHTING
AFL10
 Architectural Floodlights

revision 10/1/08 • afl10.pdf

Type:

Job:

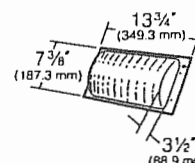
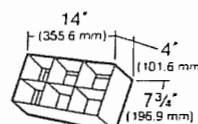
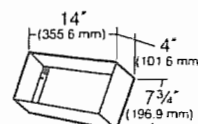
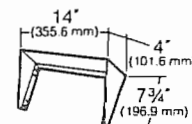
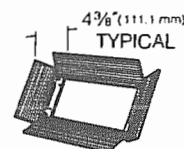
Page: 4 of 13



Fixture Options

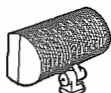
Ordered Separately from Fixture

G12 Socket Cat. No. <input type="checkbox"/> G12 <input type="checkbox"/> No Option	Optional G12 base socket available for 70W and 150W Pulse Start Metal Halide lamp only, T-6 Bipin configuration. Must use UV filtering lamp. Consult factory.																
Bam Doors Cat. No. (see right) <input type="checkbox"/> No Option	Extruded aluminum doors with anti-reflection baffles. Each door is hinged to a cast, low copper (<0.6% Cu) aluminum frame, and locks by set screws. Doors are individually removable. Bam Door assembly mounts to predrilled door frame holes. CAUTION: Not recommended for ground mounted fixtures in vandal prone areas. <table border="0"> <tr> <td>Cat. No.</td> <td>Finish:</td> <td>Cat. No.</td> <td>Finish:</td> </tr> <tr> <td><input type="checkbox"/> BD/BL</td> <td>Black</td> <td><input type="checkbox"/> BD/DB</td> <td>Dark Bronze</td> </tr> <tr> <td><input type="checkbox"/> BD/LG</td> <td>Light Gray</td> <td><input type="checkbox"/> BD/PS</td> <td>Platinum Silver</td> </tr> <tr> <td><input type="checkbox"/> BD/SG</td> <td>Stealth Gray™</td> <td><input type="checkbox"/> BD/WH</td> <td>White</td> </tr> </table>	Cat. No.	Finish:	Cat. No.	Finish:	<input type="checkbox"/> BD/BL	Black	<input type="checkbox"/> BD/DB	Dark Bronze	<input type="checkbox"/> BD/LG	Light Gray	<input type="checkbox"/> BD/PS	Platinum Silver	<input type="checkbox"/> BD/SG	Stealth Gray™	<input type="checkbox"/> BD/WH	White
Cat. No.	Finish:	Cat. No.	Finish:														
<input type="checkbox"/> BD/BL	Black	<input type="checkbox"/> BD/DB	Dark Bronze														
<input type="checkbox"/> BD/LG	Light Gray	<input type="checkbox"/> BD/PS	Platinum Silver														
<input type="checkbox"/> BD/SG	Stealth Gray™	<input type="checkbox"/> BD/WH	White														
Fixed Hood Cat. No. (see right) <input type="checkbox"/> No Option	Formed 1/16" thick aluminum. Mounts to predrilled door frame holes. Can be mounted along the top or bottom of the fixture to shield the lamp and lens from view. <table border="0"> <tr> <td>Cat. No.</td> <td>Finish:</td> <td>Cat. No.</td> <td>Finish:</td> </tr> <tr> <td><input type="checkbox"/> FH/BL</td> <td>Black</td> <td><input type="checkbox"/> FH/DB</td> <td>Dark Bronze</td> </tr> <tr> <td><input type="checkbox"/> FH/LG</td> <td>Light Gray</td> <td><input type="checkbox"/> FH/PS</td> <td>Platinum Silver</td> </tr> <tr> <td><input type="checkbox"/> FH/SG</td> <td>Stealth Gray™</td> <td><input type="checkbox"/> FH/WH</td> <td>White</td> </tr> </table>	Cat. No.	Finish:	Cat. No.	Finish:	<input type="checkbox"/> FH/BL	Black	<input type="checkbox"/> FH/DB	Dark Bronze	<input type="checkbox"/> FH/LG	Light Gray	<input type="checkbox"/> FH/PS	Platinum Silver	<input type="checkbox"/> FH/SG	Stealth Gray™	<input type="checkbox"/> FH/WH	White
Cat. No.	Finish:	Cat. No.	Finish:														
<input type="checkbox"/> FH/BL	Black	<input type="checkbox"/> FH/DB	Dark Bronze														
<input type="checkbox"/> FH/LG	Light Gray	<input type="checkbox"/> FH/PS	Platinum Silver														
<input type="checkbox"/> FH/SG	Stealth Gray™	<input type="checkbox"/> FH/WH	White														
Full Shield Cat. No. (see right) <input type="checkbox"/> No Option	Formed 1/16" thick aluminum. Mounts to predrilled door frame holes. CAUTION: Do not use full shield in locations where leaves and trash can collect inside shield. <table border="0"> <tr> <td>Cat. No.</td> <td>Finish:</td> <td>Cat. No.</td> <td>Finish:</td> </tr> <tr> <td><input type="checkbox"/> FS/BL</td> <td>Black</td> <td><input type="checkbox"/> FS/DB</td> <td>Dark Bronze</td> </tr> <tr> <td><input type="checkbox"/> FS/LG</td> <td>Light Gray</td> <td><input type="checkbox"/> FS/PS</td> <td>Platinum Silver</td> </tr> <tr> <td><input type="checkbox"/> FS/SG</td> <td>Stealth Gray™</td> <td><input type="checkbox"/> FS/WH</td> <td>White</td> </tr> </table>	Cat. No.	Finish:	Cat. No.	Finish:	<input type="checkbox"/> FS/BL	Black	<input type="checkbox"/> FS/DB	Dark Bronze	<input type="checkbox"/> FS/LG	Light Gray	<input type="checkbox"/> FS/PS	Platinum Silver	<input type="checkbox"/> FS/SG	Stealth Gray™	<input type="checkbox"/> FS/WH	White
Cat. No.	Finish:	Cat. No.	Finish:														
<input type="checkbox"/> FS/BL	Black	<input type="checkbox"/> FS/DB	Dark Bronze														
<input type="checkbox"/> FS/LG	Light Gray	<input type="checkbox"/> FS/PS	Platinum Silver														
<input type="checkbox"/> FS/SG	Stealth Gray™	<input type="checkbox"/> FS/WH	White														
Grid Louver for AFL15 and AFL16 Cat. No. (see right) <input type="checkbox"/> No Option	Formed 1/16" thick aluminum. Mounts to predrilled door frame holes. Provides glare control for AFL15 and AFL16 Spots while maintaining beam efficiency and uniformity. NOTE: For use with AFL15 and AFL16 only. <table border="0"> <tr> <td>Cat. No.</td> <td>Finish:</td> <td>Cat. No.</td> <td>Finish:</td> </tr> <tr> <td><input type="checkbox"/> GL4/BL</td> <td>Black</td> <td><input type="checkbox"/> GL4/DB</td> <td>Dark Bronze</td> </tr> <tr> <td><input type="checkbox"/> GL4/LG</td> <td>Light Gray</td> <td><input type="checkbox"/> GL4/PS</td> <td>Platinum Silver</td> </tr> <tr> <td><input type="checkbox"/> GL4/SG</td> <td>Stealth Gray™</td> <td><input type="checkbox"/> GL4/WH</td> <td>White</td> </tr> </table>	Cat. No.	Finish:	Cat. No.	Finish:	<input type="checkbox"/> GL4/BL	Black	<input type="checkbox"/> GL4/DB	Dark Bronze	<input type="checkbox"/> GL4/LG	Light Gray	<input type="checkbox"/> GL4/PS	Platinum Silver	<input type="checkbox"/> GL4/SG	Stealth Gray™	<input type="checkbox"/> GL4/WH	White
Cat. No.	Finish:	Cat. No.	Finish:														
<input type="checkbox"/> GL4/BL	Black	<input type="checkbox"/> GL4/DB	Dark Bronze														
<input type="checkbox"/> GL4/LG	Light Gray	<input type="checkbox"/> GL4/PS	Platinum Silver														
<input type="checkbox"/> GL4/SG	Stealth Gray™	<input type="checkbox"/> GL4/WH	White														
Lexan® Lens Shield Cat. No. <input type="checkbox"/> AFL-LS <input type="checkbox"/> No Option	3/8" thick, clear convex, vacuum formed, advanced polymer (Lexan®) lens shield with gasket. Mounts over lens to predrilled door frame holes and may be used with BD Bam Door, FH Fixed Hood, or FS Full Shield option. CAUTION: Use only when vandalism is anticipated. NOTE: Not for use with GL4 Louver or CFA1 color filter options.																



**KIM LIGHTING**
AFL10
 Architectural Floodlights
 revision 10/1/08 • afl10.pdf
Type:**Job:**

Page: 5 of 13



Fixture Options

Ordered Separately from Fixture

Color Filter Assembly

Cat. No. (See right)

 No Option

Heavy wall aluminum extrusion with anti-reflection baffles and vertical channels that hold the color filter 2" away from the fixture lens. Quick change-out of the color filter is possible by the removal of two channel screws. Support mounts to predrilled holes in fixture door frame. May be used with **BD** Barn Door, **FH** Fixed Hood, or **FS** Full Shield option.

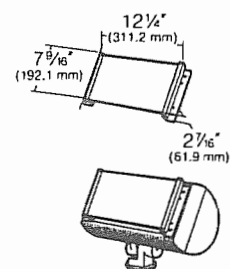
Cat. No.

Finish:

- | | |
|-------------------------------------|-----------------|
| <input type="checkbox"/> CFA1-XX/BL | Black |
| <input type="checkbox"/> CFA1-XX/DB | Dark Bronze |
| <input type="checkbox"/> CFA1-XX/LG | Light Gray |
| <input type="checkbox"/> CFA1-XX/SG | Stealth Gray |
| <input type="checkbox"/> CFA1-XX/PS | Platinum Silver |
| <input type="checkbox"/> CFA1-XX/WH | White |

Color Filter Assembly Cat. No. includes color filter and channel finish. Specify filter, substituting **XX** for color filter number (See below) and add finish.

Ex.: CFA1-15/BL

**Color Filter Selection** (See color samples on page 47 of AFL catalog.)

Color ¹	XX Filter # ²	Description
Deep Straw	<input type="checkbox"/> 15	Warms metal halide color. Deepens high pressure sodium color to yellow/orange.
Rose Tint	<input type="checkbox"/> 05	Warms metal halide color. Deepens high pressure sodium color to pink/orange.
Medium Red	<input type="checkbox"/> 27	Deep color accent. Best used with high pressure sodium lamps. NOTE: Very low output with metal halide lamps.
Brilliant Blue	<input type="checkbox"/> 69	Deep color accent. Best used with metal halide lamps. NOTE: Not recommended for high pressure sodium lamps.
Primary Green	<input type="checkbox"/> 91	Deep color accent. Blue shift with metal halide lamps. Yellow shift with high pressure sodium lamps.

NOTE: Color samples shown for reference only and will not represent actual illumination color rendered by HID lamps.

¹Exact color output is highly dependent on lamp used, (i.e. HPS vs. PMH, specific lamp color temperature and other factors).

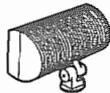
²XX Color filter number corresponds with Roscolux color filter numbers.

**KIM LIGHTING****AFL10**
Architectural Floodlights
revision 10/1/08 • afl10.pdf

Type:

Job:

Page: 6 of 13



Mounting Options

Ordered Separately from Fixture



Reference symbol for fixture aiming range when mounted on the option as shown. This range is in the vertical plane and does not necessarily apply to all conditions. See page 1 for full aiming range without mounting options.

Brass In-grade Architectural Junction Box

Standard Swivel Mount.

Cat. No. (See right)

 No Option

Die-cast brass with 1/2" NPSM fixture mount and die-cast cover. Internal set screw provided for locking position. 21 cu in. internal volume.

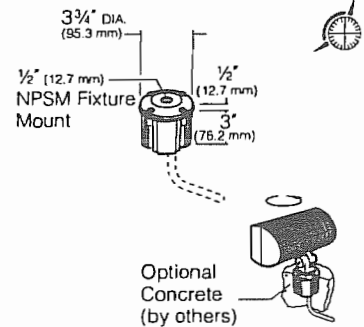
- JBR-2** (2) 1/2" NPT in bottom
- JBR-3** (2) 3/4" NPT in bottom
- JBR-21** (2) 1/2" NPT in sides, (2) 1/2" NPT in bottom
- JBR-24** (4) 1/2" NPT in sides, (2) 1/2" NPT in bottom

NOTE: All side taps provided with plugs.

Application Notes

- Creates a flush-mounted appearance.
- May be cast in concrete for increased stability.

CAUTION: Fixture stem and swivel must not contact soil or standing water. Provide drainage away from junction box.



Brass In-grade Staked Junction Box

Standard Swivel Mount.

Cat. No. (See right)

 No Option

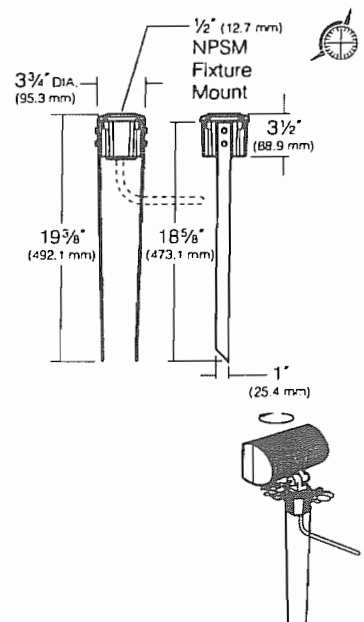
Die-cast brass with 1/2" NPSM fixture mount and die-cast cover. Internal set screw provided for locking position. 21 cu in. internal volume.

- JBR30** (2) 1/2" NPT in bottom, (2) 19" long stakes

Application Notes

- Creates a flush-mounted appearance.
- May be cast in concrete for increased stability.

CAUTION: To assure a rigid installation, Staked Junction Box must be set in concrete (by others). Fixture stem and swivel must not contact soil or standing water. Provide drainage away from junction box.

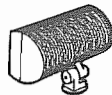




AFL10
Architectural Floodlights
revision 10/1/08 • afl10.pdf

Type:
Job:

Page: 7 of 13



Mounting Options

Ordered Separately from Fixture



Reference symbol for fixture aiming range when mounted on the option as shown. This range is in the vertical plane and does not necessarily apply to all conditions. See page 1 for full aiming range without mounting options.

Stanchion Mount

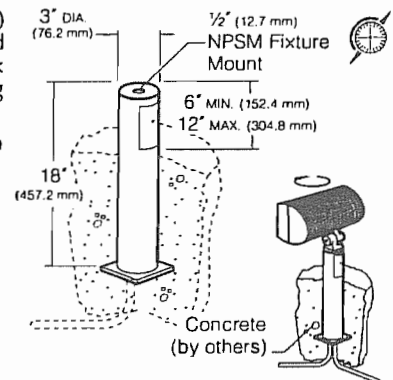
Standard Swivel Mount.

Cat. No. (See right)
 No Option

3" O.D. by .188" wall cast low copper (<0.6% Cu) aluminum with 1/2" NPSM fixture mount and hand hole with flush cover. Internal set screw fixture lock accessible through hand hole. Internal ground lug supplied with installed lead.

CAUTION: To assure a rigid installation, stanchion must be set in concrete (by others).

- Cat. No. Finish:
- SM18/BL Black
 - SM18/DB Dark Bronze
 - SM18/LG Light Gray
 - SM18/SG Stealth Gray™
 - SM18/PS Platinum Silver
 - SM18/WH White



Surface Mount

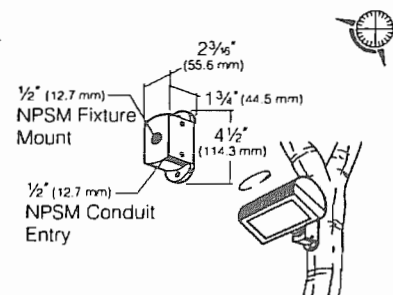
Standard Swivel Mount.

Cat. No. (See right)
 No Option

Cast low copper (<0.6% Cu) aluminum with mounting ears for wood screw attachment to tree or wood structure. 5.5 cu in. splice compartment with gasketed cover. 1/2" NPSM fixture mount and 1/2" NPSM conduit or cord seal entry.

NOTE: Surface mount can be connected to conduit or outdoor cord with a waterproof cord seal (by others).

- Cat. No. Finish:
- J-27N/BL Black
 - J-27N/DB Dark Bronze
 - J-27N/LG Light Gray
 - J-27N/SG Stealth Gray™
 - J-27N/PS Platinum Silver
 - J-27N/WH White



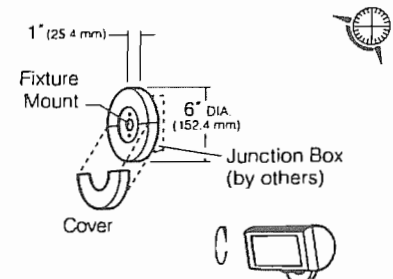
Wall or Ceiling Mount

Standard Swivel Mount.

Cat. No. (See right)
 No Option

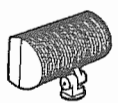
Electro zinc steel mounting plate adapts to standard 4" square or octagonal Junction Boxes. Fixture mounts to cast low copper (<0.6% Cu) aluminum upper cover which attaches to mounting plate. Lower cover half provides splice access. Dielectric sealing compound provided for wall interface.

- Cat. No. Finish:
- WM/BL Black
 - WM/DB Dark Bronze
 - WM/LG Light Gray
 - WM/SG Stealth Gray™
 - WM/PS Platinum Silver
 - WM/WH White





Type:
Job:



Mounting Features
Ordered Separately from Fixture



Reference symbol for fixture aiming range when mounted on the option as shown. This range is in the vertical plane and does not necessarily apply to all conditions. See page 1 for full aiming range without mounting options.

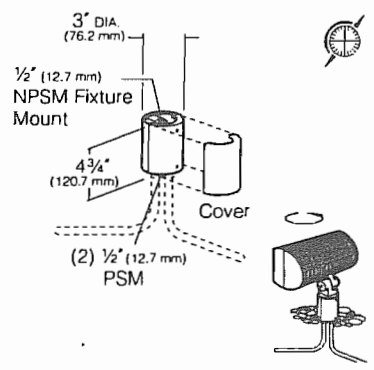
Architectural Junction Box

Standard Swivel Mount.
Cat. No. (See right)
 No Option

Die-cast, low copper (<0.6% Cu) anodized aluminum with 1/2" NPSM fixture mount. Internal set screw provided for locking position. Two 1/2" NPSM in bottom, 17 cu in. internal volume.

CAUTION: Junction Box must be installed high enough to avoid contact with soil or standing water.

- | | |
|---------------------------------|-----------------|
| Cat. No. | Finish: |
| <input type="checkbox"/> JB1/BL | Black |
| <input type="checkbox"/> JB1/DB | Dark Bronze |
| <input type="checkbox"/> JB1/LG | Light Gray |
| <input type="checkbox"/> JB1/SG | Stealth Gray™ |
| <input type="checkbox"/> JB1/PS | Platinum Silver |
| <input type="checkbox"/> JB1/WH | White |

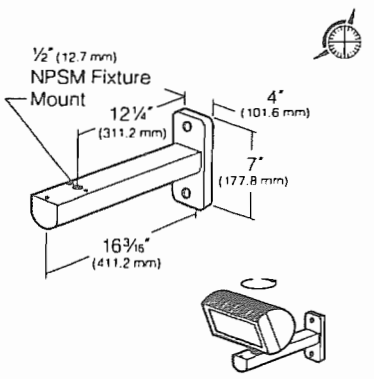


Wall Mount

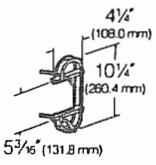
Standard Swivel Mount.
Cat. No. (See right)
 No Option

Extruded aluminum arm with a removable end cap for wiring access. Arm is welded to a cast aluminum plate with two 1/2" dia. mounting holes.

- | | |
|---------------------------------|-----------------|
| Cat. No. | Finish: |
| <input type="checkbox"/> WM1/BL | Black |
| <input type="checkbox"/> WM1/DB | Dark Bronze |
| <input type="checkbox"/> WM1/LG | Light Gray |
| <input type="checkbox"/> WM1/SG | Stealth Gray™ |
| <input type="checkbox"/> WM1/PS | Platinum Silver |
| <input type="checkbox"/> WM1/WH | White |
| <input type="checkbox"/> WEB | |



Optional Wall Embedment Bracket (WEB) provides 3/8-16 bolt receptacles welded in a galvanized re-bar cage for casting into poured-in-place concrete walls. Bolt receptacles receive fixture attachment bolts.





AFL10

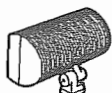
Architectural Floodlights

revision 10/1/08 • afl10.pdf

Type:

Job:

Page: 9 of 13



Mounting Options

Ordered Separately from Fixture



Reference symbol for fixture aiming range when mounted on the option as shown. This range is in the vertical plane and does not necessarily apply to all conditions. See page 1 for full aiming range without mounting options.

Side Pole Mount

Standard Swivel Mount.

Cat. No. (see right)

 No Option

Component EPA: 0.3

Available for Round and Square Poles

NOTE: Field drilling of Poles is required.

Extruded aluminum arm. Internal set screw fixture lock. Removable end cap for wiring access. For use with other Kim Site/Roadway Luminaires as an additional mid-pole floodlight.

Cat. No.

Finish:

- SPM-X/BL** Black
 SPM-X/DB Dark Bronze
 SPM-X/LG Light Gray
 SPM-X/SG Stealth Gray™
 SPM-X/PS Platinum Silver
 SPM-X/WH White

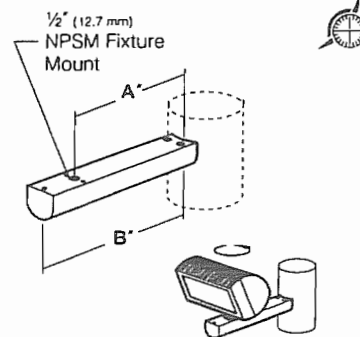
Side Pole Mount Cat. No. includes pole dia. and finish.

Pole Diameter Selection

- 3"
 3½"
 4"
 5"
 6"
 Square Pole

Example: **SPM-4/BL** for 4" Round Pole

For square poles, omit -X and add finish.

Example: **SPM/BL** for Square Pole.

- A** 11½" (292.1 mm) For Round Poles
 12" (304.8 mm) For Square Poles
B 15¾" (399.5 mm) For Round Poles
 15⅞" (403.2 mm) For Square Poles

Twin Mount

Standard Swivel Mount.

Cat. No. (see right)

 No Option

Component EPA: 0.6

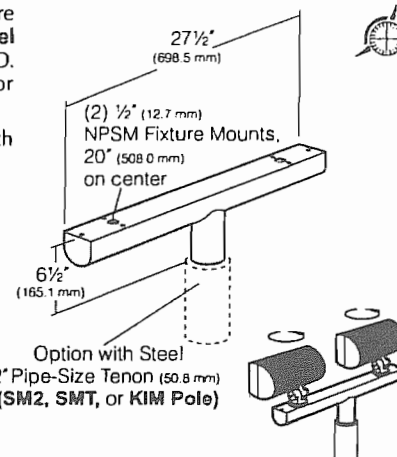
Extruded aluminum arm. Internal set screw fixture locks. Can be mounted on a **SM2**, **SMT**, or **Steel Kim Pole** with steel 2" pipe-size tenon (2¾" O.D. x 3½" min. length). Removable end caps for wiring access.

CAUTION: Approved for mounting to poles with steel tenons only.

Cat. No.

Finish:

- TM2/BL** Black
 TM2/DB Dark Bronze
 TM2/LG Light Gray
 TM2/SG Stealth Gray™
 TM2/PS Platinum Silver
 TM2/WH White



Option with Steel
 2" Pipe-Size Tenon (50.8 mm)
(SM2, SMT, or KIM Pole)



AFL10

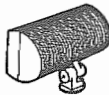
Architectural Floodlights

revision 10/1/08 • afl10.pdf

Type:

Job:

Page: 10 of 13



Mounting Options

Ordered Separately from Fixture



Reference symbol for fixture aiming range when mounted on the option as shown. This range is in the vertical plane and does not necessarily apply to all conditions. See page 1 for full aiming range without mounting options.

Post Top Mount

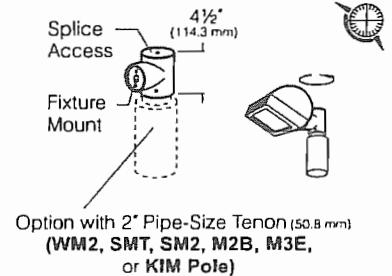
Standard Swivel Mount.

Cat. No. (see right)
 No Option

Component EPA: 0.7

Cast aluminum mount for pole or other mounting option with 2" pipe-size tenon (2 3/8" O.D. x 3 1/2" minimum length). Fixture attaches with concealed internal studs, mounting is with 1/4-20 allen set screws. Top cap provides splice access.

Cat. No. Finish:
 PT/BL Black
 PT/DB Dark Bronze
 PT/LG Light Gray
 PT/SG Stealth Gray™
 PT/PS Platinum Silver
 PT/WH White



Twin Post Top Mount

Standard Swivel Mount.

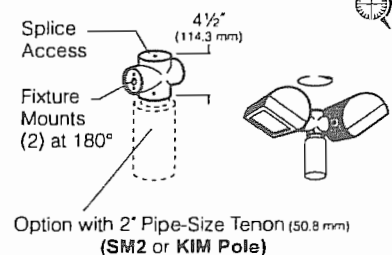
Cat. No. (see right)
 No Option

Component EPA: 0.1

Cast aluminum mount for pole or other mounting option with 2" pipe-size tenon (2 3/8" O.D. x 3 1/2" minimum length). Fixture attaches with concealed internal studs, mounting is with 1/4-20 allen set screws. Top cap provides splice access.

NOTE: Not for use with SMT, SPT, WM2, M2B, or M3E options.

Cat. No. Finish:
 PT2/BL Black
 PT2/DB Dark Bronze
 PT2/LG Light Gray
 PT2/SG Stealth Gray™
 PT2/PS Platinum Silver
 PT2/WH White



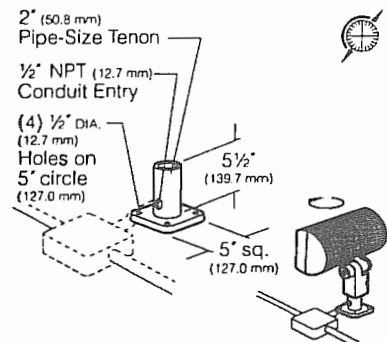
Surface Mount Tenon

2" Tenon - For Optional Heavy Duty Swivel Mount Only.

Cat. No. SMT/BL
 No Option

2" pipe-size tenon (2 3/8" O.D., 2" I.D.) welded to a cast aluminum plate. Plate has four 1/2" mounting holes, and tenon has one 1/2" NPT for side conduit entry. Black finish.

NOTE: Not for use with PT2, M2B, or M3E options. May be wall mounted if horizontal fixture adjustment is not required. For wall mounting with horizontal fixture adjustment, use WM2.



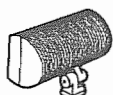


AFL10
Architectural Floodlights
revision 10/1/08 • afl10.pdf

Type:

Job:

Page: 11 of 13



Mounting Options

Ordered Separately from Fixture



Reference symbol for fixture aiming range when mounted on the option as shown. This range is in the vertical plane and does not necessarily apply to all conditions. See page 1 for full aiming range without mounting options.

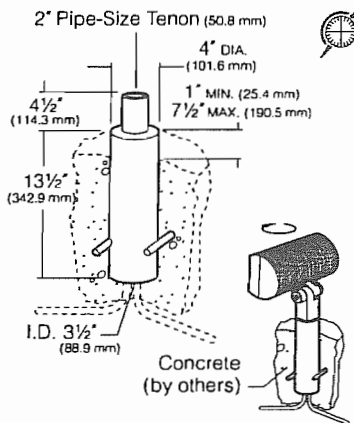
Stanchion Mount Tenon

2" Tenon - For Optional Heavy Duty Swivel Mount Only.

- Cat. No. SM2/BL
 No Option

4" O.D. cast low copper (<0.6% Cu) aluminum stanchion with 2" pipe-size tenon (2 3/8" O.D., 1 3/8" I.D.) for mounting a single fixture or multiple top-mounts. Black finish.

CAUTION: Multiple top-mounts must not be used in locations where people can climb on fixtures and mounting arms. To assure a rigid installation, stanchion must be set in concrete (by others).



Wall Mount Tenon

2" Tenon - For Optional Heavy Duty Swivel Mount Only.

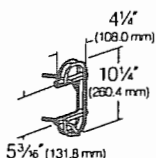
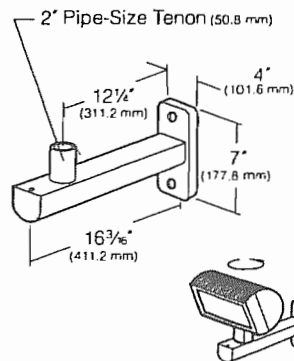
- Cat. No. (see right)
 No Option

Component EPA: 0.3

2" pipe-size tenon (2 3/8" O.D., 2" I.D.) welded to an extruded aluminum arm with a removable end cap for wiring access. Arm is welded to a cast aluminum plate with two 1/2" mounting holes.

NOTE: Not for use with PT2 option.

- Cat. No. Finish:
- WM2/BL Black
 - WM2/DB Dark Bronze
 - WM2/LG Light Gray
 - WM2/SG Stealth Gray
 - WM2/PS Platinum Silver
 - WM2/WH White
 - WEB



Optional Wall Embedment Bracket (WEB) provides 3/8-16 bolt receptacles welded in a galvanized re-bar cage for casting into poured-in-place concrete walls. Bolt receptacles receive fixture attachment bolts.

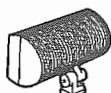

AFL10
 Architectural Floodlights

revision 10/1/08 • afl10.pdf

Type:

Job:

Page: 12 of 13



Mounting Options

Ordered Separately from Fixture



Reference symbol for fixture aiming range when mounted on the option as shown. This range is in the vertical plane and does not necessarily apply to all conditions. See page 1 for full aiming range without mounting options.

Side Pole Mount Tenon

2" Tenon - For Optional Heavy Duty Swivel Mount Only.

Cat. No. (see right)

No Option

Component EPA: 0.3

Available for Round and Square Poles.

NOTE: Field drilling of Poles is required.

Extruded aluminum arm with one 2" pipe-size tenon (2 3/8" O.D., 2" I.D.). Removable end cap for wiring access. For use with other Kim Site/Roadway Luminaires as an additional mid-pole floodlight.

NOTE: Not for use with PT2 option.

Cat. No.	Finish:
<input type="checkbox"/> SPT-X/BL	Black
<input type="checkbox"/> SPT-X/DB	Dark Bronze
<input type="checkbox"/> SPT-X/LG	Light Gray
<input type="checkbox"/> SPT-X/SG	Stealth Gray™
<input type="checkbox"/> SPT-X/PS	Platinum Silver
<input type="checkbox"/> SPT-X/WH	White

Side Pole Mount Cat. No. includes pole dia. and finish.

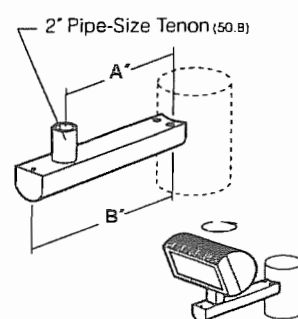
Pole Diameter Selection

3"
 3 1/2"
 4"
 5"
 6"
 Square Pole

Example: **SPT-4/BL** for 4" Round Pole

For square poles, omit -X and add finish.

Example: **SPT/BL** for Square Pole.



A	11 1/2" (292.1 mm)	For Round Poles
	12" (304.8 mm)	For Square Poles
B	15 3/8" (390.5 mm)	For Round Poles
	15 1/2" (403.2 mm)	For Square Poles

Twin Mount Tenon

2" Tenon - For Optional Heavy Duty Swivel Mount Only.

Cat. No. (see right)

No Option

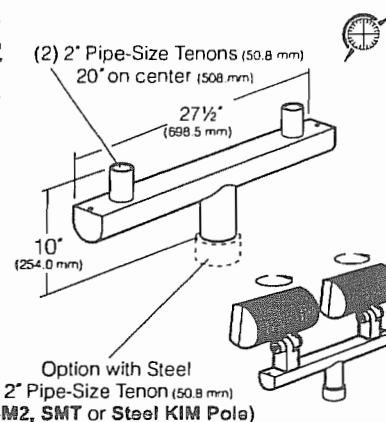
Component EPA: 0.6

Extruded aluminum arm with two 2" pipe-size tenons (2 3/8" O.D., 2" I.D.). Can be mounted on a **SM2**, **SMT**, or **Steel Kim Pole** with a steel 2" pipe-size tenon (2 3/8" O.D. x 3 1/2" min. length). Removable end caps for wiring access.

NOTE: Not for use with PT2 option.

CAUTION: Approved for mounting to poles with steel tenons only.

Cat. No.	Finish:
<input type="checkbox"/> M2B/BL	Black
<input type="checkbox"/> M2B/DB	Dark Bronze
<input type="checkbox"/> M2B/LG	Light Gray
<input type="checkbox"/> M2B/SG	Stealth Gray™
<input type="checkbox"/> M2B/PS	Platinum Silver
<input type="checkbox"/> M2B/WH	White



Option with Steel 2" Pipe-Size Tenon (50.8 mm) (SM2, SMT or Steel KIM Pole)

**KIM LIGHTING****AFL10**

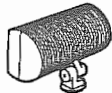
Architectural Floodlights

revision 10/1/08 • afl10.pdf

Type:

Job:

Page: 13 of 13



Mounting Options

Ordered Separately from Fixture



Reference symbol for fixture aiming range when mounted on the option as shown. This range is in the vertical plane and does not necessarily apply to all conditions. See page 1 for full aiming range without mounting options.

Triple Mount Tenon

2" Tenon - For Optional Heavy Duty Swivel Mount Only.

Cat. No. (see right)

 No Option

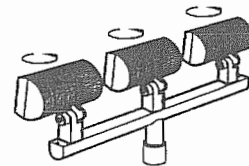
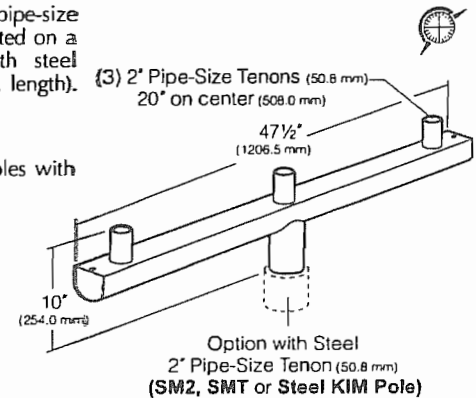
Component EPA: 1.0

Extruded aluminum arm with three 2" pipe-size tenons (2 3/8" O.D., 2" I.D.). Can be mounted on a **SM2**, **SMT**, or **Steel Kim Pole** with steel 2" pipe-size tenon (2 3/8" O.D. x 3 1/2" min. length). Removable end caps for wiring access.

NOTE: Not for use with **PT2** option.

CAUTION: Approved for mounting to poles with steel tenons only.

Cat. No.	Finish:
<input type="checkbox"/> M3E/BL	Black
<input type="checkbox"/> M3E/DB	Dark Bronze
<input type="checkbox"/> M3E/LG	Light Gray
<input type="checkbox"/> M3E/SG	Stealth Gray™
<input type="checkbox"/> M3E/PS	Platinum Silver
<input type="checkbox"/> M3E/WH	White



Submitted by Hossley Lighting Associates

Catalog Number:
HV13P250P 120V DCB BZ

Type:

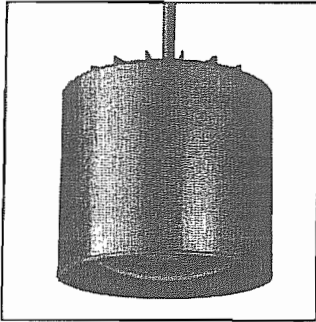


Job Name:
INWOOD NATIONAL BANK - FINAL
Distributor: Crawford - Dallas (Dallas)

Notes:

M

DALLAS12-63398



13" Direct Pendant
Mount Cylinder
HV13P
One 175W or 250W MH Lamp
Wide Distribution

DATE: _____ TYPE: _____

FIRM NAME: _____

PROJECT: _____

LiteForms

For conversion to millimeters,
multiply inches by 25.4
Not to Scale

APPLICATIONS:

The 13" HV13P series is a pendant mounted, enclosed and gasketed wet location cylinder. The HV13P feature a wide distribution optical system which makes it perfect for a large variety of indoor and outdoor applications including commercial, retail and transportation facilities that require the additional lumen output of an HID luminaire.

HOUSING:

Heavy gauge aluminum housing clamped to top casting with diecast aluminum trim carrier and two spring loaded 1/4" internal tie rods. Standard with fuse and torsion relamping springs. Diecast aluminum top casting with heat dissipating fins. Regressed diecast aluminum trim casting secured by four hex socket head screws. 45° hang-straight lockable swivel and canopy with 1/2" I.P. stem. Specify: brushed aluminum, matte black, bronze, matte white or Prsecolite's exclusive Zet, metallic silver.

REFLECTOR:

Specular clear Alzak faceted reflector canopy. Tempered convex lens sealed with molded EPDM high temperature rubber gasket and continuously clamped to the trim frame for vandal resistance.

BALLAST:

One (1) integral prewired core and coil ballast accessible through the lamp compartment. High power factor and fusing standard. EISA compliant.

LAMP:

Use one (1) 175W MH BT-28 or 250W MH BT-28 lamp. Lamps furnished by others.

SOCKET:

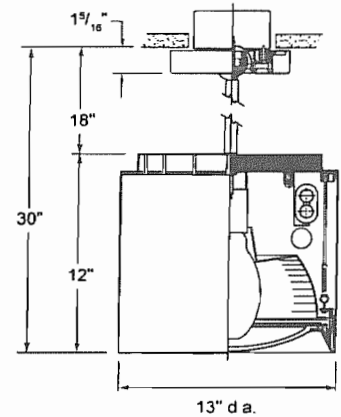
Magul base porcelain socket with nickel plated screw shell.

INSTALLATION:

Easy installation onto standard J-box.

LABELS:

CSA/US listed for damp locations



CATALOG NUMBER:

EXAMPLE: HV13P250P120VBZ

CYLINDERS	CYLINDER OPTIONS	VOLTAGE	CYLINDER FINISHES	Special Reflector Finishes:
<input type="checkbox"/> HV13P175P 13" Direct pendant mount lensed cylinder, 175W metal halide	<input type="checkbox"/> QR Quartz restrike (see note on back page)	<input type="checkbox"/> 120V <input type="checkbox"/> 208V <input type="checkbox"/> 240V <input type="checkbox"/> 277V	<input type="checkbox"/> BA Brushed aluminum-standard with black accents (pendant assembly, wall bracket, and cap)	Refer to specification sheet LFO-HID-025 for reflector capabilities
<input type="checkbox"/> HV13P250P 13" Direct pendant mount lensed cylinder, 250W metal halide	<input type="checkbox"/> DCB Auxiliary socket (see note on back page)	*347V Consult technical support	<input type="checkbox"/> BL Matte black <input type="checkbox"/> BZ Bronze <input type="checkbox"/> WH Matte white <input type="checkbox"/> Z "Zet" metallic silver	

EISA Compliant



In a continuing effort to offer the best product possible we reserve the right to change, without notice, specifications or materials that in our opinion will not alter the function of the product.
Web: www.prescolite.com • Tech Support: (888) 777-4832

LFO-HID-020

Submitted by Hossley Lighting Associates

Catalog Number:
HV13P250P 120V DCB BZ

Type:



Job Name:
INWOOD NATIONAL BANK - FINAL
Distributor: Crawford - Dallas (Dallas)

Notes:

M

DALLAS12-63398

PHOTOMETRIC DATA

LiteForms™ - 13" Direct Pendant Mount Cylinder, Wide Distribution - HV13P Series

BALLAST DATA

	175W		250W	
	120V	277V	120V	277V
Power Factor	>90%	>90%	>90%	>90%
Regulation: Line Voltage	+ .5%	+ .5%	+ .5%	+ .5%
Output Wattage	+ .10%	+ .10%	+ .10%	+ .10%
Min. Ambient Starting Temp.	-30°C	-30°C	-30°C	-30°C
Input Watts	198W	198W	283W	283W
Input Amps	1.78 amp	.76 amp	2.50 amp	1.10 amp
Sound Rating	B	B	C	C

AVERAGE INITIAL FOOTCANDLES

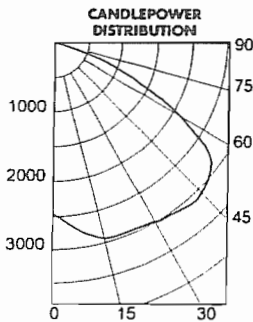
Multiple Units (Square Array)
Ceiling 80% Wall 50% Floor 20%

18W Quads	SPACING	RCR1	RCR3	RCR7
10.0	72	55	34	
11.0	59	45	28	
12.0	50	38	24	
13.0	43	32	20	
14.0	37	28	17	

LAMP DATA

	175W	250W
Rated Watts	175W	250W
Rated Lumens	11,200	16,625
Efficacy (LPW)	71	86
Rated Life	15,000	15,000
CRI	62	65

HV13P250P 13" HID Cylinder Series
250W MH
Spacing Criteria: 1.82
Efficiency: 53.1%



Test No. 81575A

CANDLEPOWER SUMMARY

Angle	Mean CP	Lumens
0	2504	
5	2656	254
15	2978	844
25	2992	1385
35	3078	1934
45	3094	2396
55	2726	2446
65	1346	1336
75	278	294
85	0	0

COEFFICIENTS OF UTILIZATION

Ratio	House Side	Street Side	Total
0.5	.119	.119	.237
1.0	.199	.199	.398
1.5	.238	.238	.477
2.0	.254	.254	.508
2.5	.261	.261	.521
3.0	.263	.263	.526
3.5	.264	.264	.528
4.0	.264	.264	.529
5.0	.265	.265	.530

HV13P250P

Test No. 81575A

NOTES

The QR option uses a quartz T-4 lamp to provide light continuously during cold start or hot restrike until the HID lamp is at approximately 70% or more of its rated light output.

The DCB option uses a quartz T-4 lamp to provide emergency light during power outages. The DCB socket must be field wired into an auxiliary emergency power supply circuit for emergency use.

Refer to www.prescolite.com for additional photometric tests (IES Files).



Web: www.prescolite.com • Tech Support: (888) 777-4832
701 Millennium Blvd., • Greenville, SC 29607 U.S.A. • Phone (864) 678-1000
Copyright ©2008 Prescolite, Inc., a division of Hubbell Lighting, Inc. All Rights Reserved
Specifications subject to change without notice. • Printed in U.S.A. • IFO480020 - 11/25/08



Hubbell Lighting, Inc.

Submitted by Hossley Lighting Associates

HOSSLEY
LIGHTING ASSOCIATES

Job Name:
INWOOD NATIONAL BANK - FINAL
Distributor: Crawford - Dallas (Dallas)

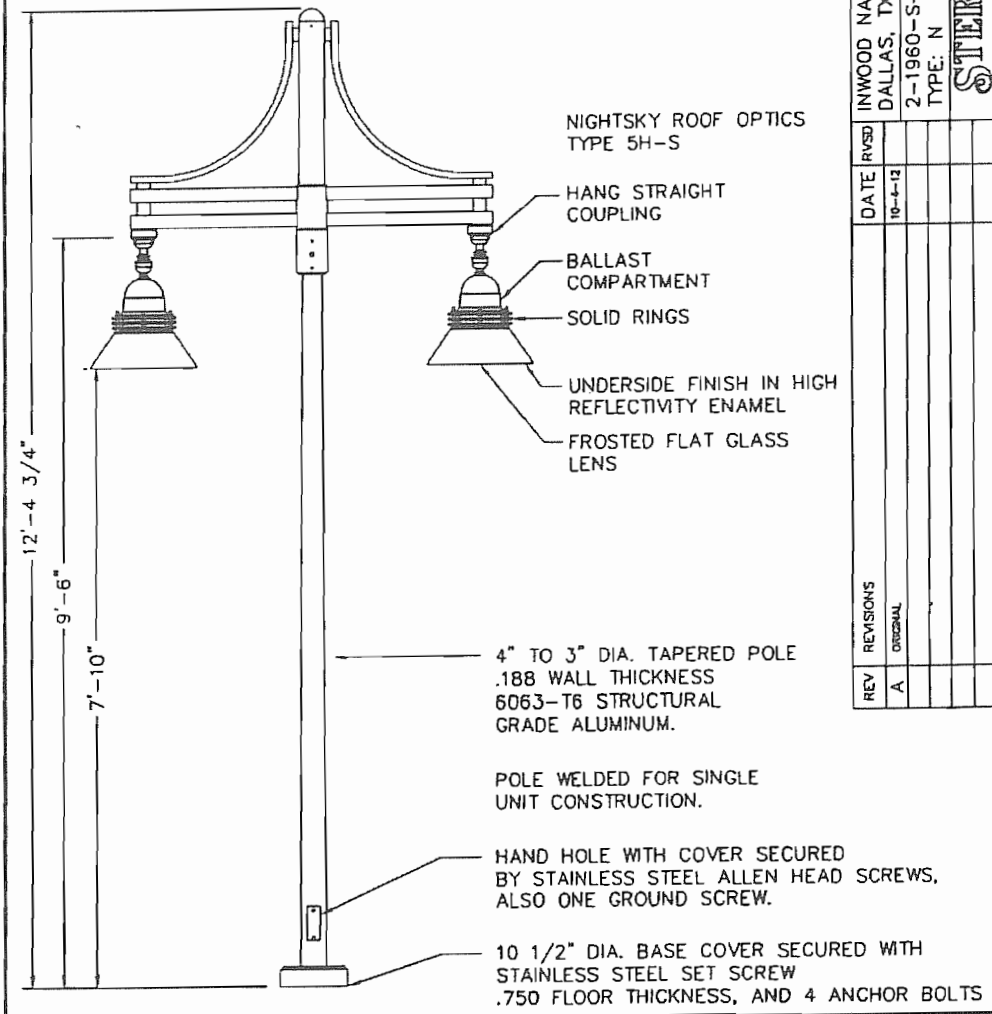
Catalog Number:
2-1960FFG-BTSR/OGSPT/1450T4/09.5/
50MH MT MEDIUM/RO5H-S/DBT
Notes:

Type:

N

DALLAS12-63398

FIXTURE  STREET SIDE
FIXTURE
HAND HOLE



REV	REVISIONS	DATE	REVISED	INWOOD NATIONAL BANK DALLAS, TX	LMG
A	ORIGINAL	10-4-12		2-1960-S-FFG-BTSR/OGSPT/450T4/09.5/50MH MT MED/RO5H-S/DBT TYPE: N	POLE HEIGHTS HAVE A TOLERANCE OF + OR - 2" 3/4" ± 1"
				STERBERG	DATE OF ORDER SINCE 1923 SCI6979

Handwritten signature/initials



1970 GALLERY SERIES

SPECIFICATIONS

GENERAL

The 1970 Gallery series is a decorative downlight fixture featuring a choice of straight or flared shades; flat glass, sag glass or an opal acrylic lens.

ELECTRICAL

The fixture shall be U.L. or E.T.L. listed in U.S. and Canada. H.I.D. ballasts shall be high power factor with lamp-starting-down-to -30-degrees-C. Medium-base porcelain or T6 bi-pin sockets are 4KV rated. Compact fluorescent (PL) ballasts shall be instant start electronic with a starting temperature down to 0 degrees F. They shall have a 4-pin socket to accept quad or triple tube lamps. Ballasts shall be DOE EISA compliant.

BALLAST HOUSING

The 1970 ballast housing will be heavy wall cast aluminum and shall be an integral section of the shade. It shall be provided with a ballast tray having tool-less access for easy maintenance.

OPTICAL SHADE ASSEMBLY

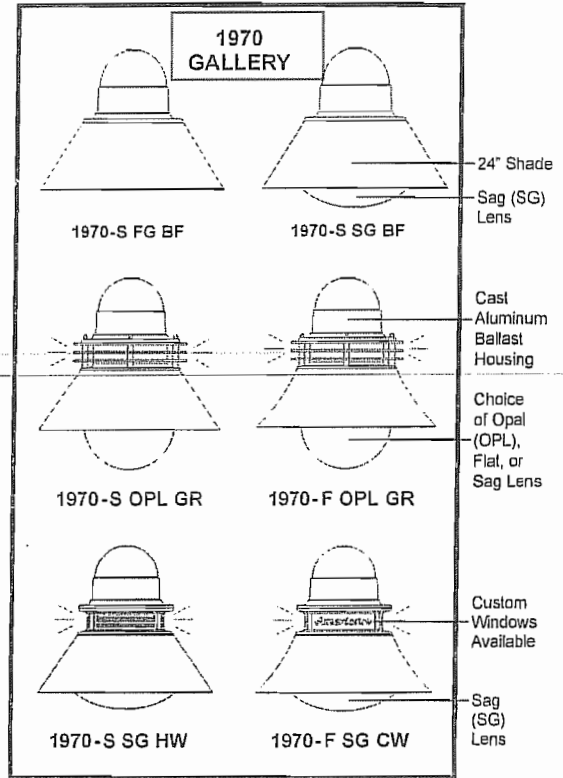
The 1970 optical shade assembly shall consist of heavy gauge spun aluminum shade (straight or flared); integral cast aluminum door frame and ring is used to secure flat, sag tempered glass lens and 12" diameter opal acrylic lens.

OPTICAL OPTIONS

Distribution shall be delivered by NIGHTSKY® STAR-SHIELD® IP66 sealed optic horizontal reflector systems, which eliminate up light. The flat lens versions provides IES Full Cut-off. The reflector cavity shall be made of specular anodized aluminum. Roof Optics Type 2 (RO2SH-L), Type 3 (RO3SH-L) or Type 5 (RO5SH-L) are available with medium base, mogul base and T6 lamps. An optional opal acrylic lens shall provide an IES Type 5 distribution.

PHOTOCELLS

Photocells shall be either the thermo bi-metal button type or the electronic button type. On multiple head fixture assemblies photocells shall be mounted in the pole shaft on an access plate and are not pre-wired as ballast housing assemblies and fitters are packaged separately for ease of wiring to source. The thermo bi-metal photocell shall be designed to turn on at 1.0 footcandle and turn off at not more than 5 footcandles. The electronic button type photocell is instant on and a 5-10 second turn off and shall turn on at 1.5 footcandles with a turn-off at 2-3 footcandles. Photocells are either 120 volt or 208 thru 277 volt.



EPA = 1.01 (ft²)
WEIGHT = 40 LBS

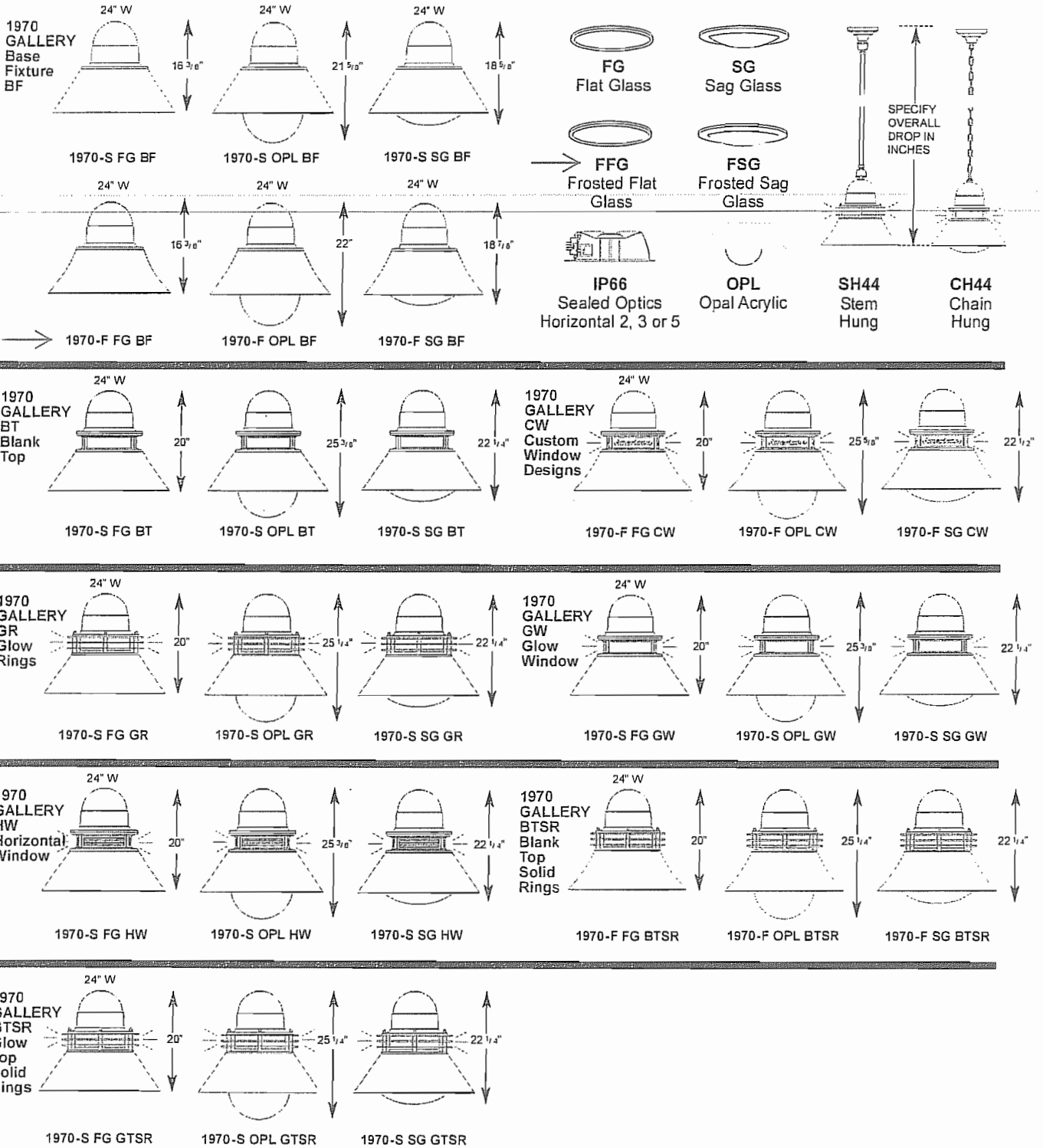
Rated IP66

1970 GALLERY SERIES

FIXTURES / LENSES

LEGEND: SHADES S-Straight, F-Flared LENS FG Flat Glass, OPL Opal White, SG Sag Glass MODEL/STYLE BF Basic Fixture SEALED OPTIC R03SH-S Sealed Optic Type 3- Small Sealed Optic Type 3- Small

FIXTURES OPTICAL SYSTEMS LENSES HANGING BRACKETS

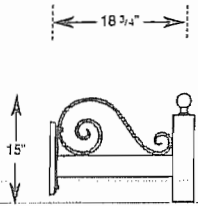


1970 GALLERY SERIES

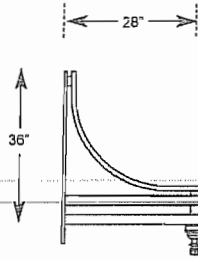
ARMS PM - WALL BRACKETS WB

ARMS - POST MOUNT (PM) or WALL BRACKETS (WB)

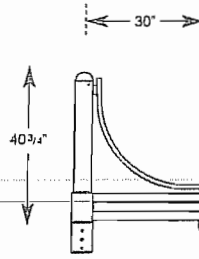
See Arms Section for more information



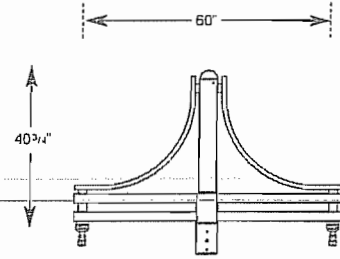
6236UHWB
6236UHPM



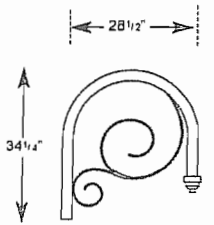
OG Single Arm
OGWB*



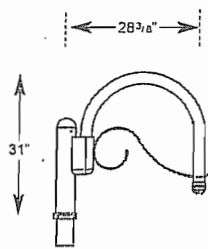
OG Single Arm
OGPT*



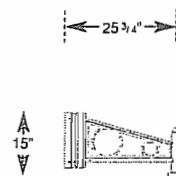
OG Twin Arm
2-OGPT*



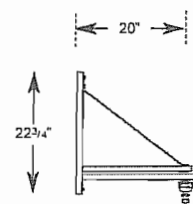
OQ
OQRPM*



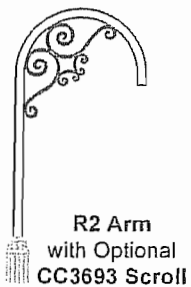
ON
1-ONPT*



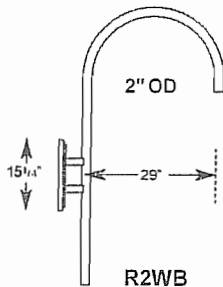
OJ
OJCPM*



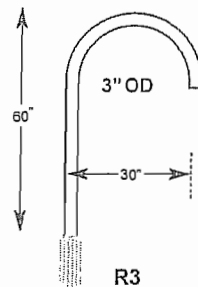
TRSL
TRSLWB*



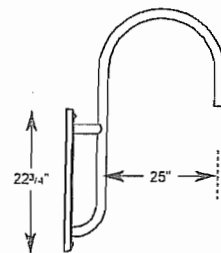
R2 Arm
with Optional
CC3693 Scroll



R2WB



R3



91W

*Shown with Optional Hangstraight

BUILDING A PART NUMBER

POST & ARM FIXTURES

ARM MOUNTED FIXTURE CENTER POST TOP FIXTURE (PT) POST POST CAP LIGHT SOURCE BALLAST OPTICS OPTIONS FINISH

NO. OF ARMS FIXTURE LENS / POSTARM FIXTURE (See Post Section) WATTS / TYPE / VOLTS

2 - 1970-S SG GR/ONPT / PT / 3212P4 / 100MHP120 / HS/MHP100/MED / BKT

WALL FIXTURES

FIXTURE / LENS / WALL BRACKET LIGHT SOURCE BALLAST OPTICS OPTIONS FINISH

WATTS / TYPE / VOLTS

1970-F OPLGW/TRSWB / 70MHP120 / HS/MHP70/MED / BKT

HANGING FIXTURES

FIXTURE / LENS / HANGING BRACKET OVERALL DROP IN INCHES LIGHT SOURCE BALLAST OPTICS OPTIONS FINISH

WATTS / TYPE / VOLTS

1970-S SG BT / 60 INCHES / 100MHP120 / HS / BKT

DROP IN INCHES

PART NUMBER SELECTIONS

FIXTURES**

- 1970-S BF
- 1970-F BF
- 1970-S BT
- 1970-F BT
- 1970-S CW
- 1970-F CW
- 1970-S GR
- 1970-F GR
- 1970-S GW
- 1970-F GW
- 1970-S HW
- 1970-F HW
- 1970-S BTSR
- 1970-F BTSR
- 1970-S GTSR
- 1970-F GTSR

IP66 SEALED OPTICS

- RO2SH-S
- RO3SH-S
- RO5SH-S

LENSES

- FG
- SG
- FFG
- FSG
- OPL¹

POST ARMS

- Single / Double
- OA
- OBS
- OC
- ODS
- OES
- OES
- OGS
- OH
- OI
- OJ
- OL
- ON
- OQ

WALL BRACKET ARMS

- OBWB
- OCWB
- ODWB
- OGWB
- OHWB
- OJWB
- OLWB
- ONSWB
- OQWB

HANGING TYPE

- CH44
- SH44

BALLASTS^{1,2}

- 50HPS
- 70HPS
- 100HPS
- 250HPS
- 100MHP²
- 150MHP²
- 175MHP
- 200MHP
- 250MHP
- 320MHP
- 350MHP
- 400MHP
- 26PLT
- 32PLT
- 42PLT
- 57PLT
- 70PLT
- INCAND
- QL55*
- QL85*
- QL165*

*Consult factory for specification details

LAMPS²

- HPS50/MED
- HPS70/MED
- HPS100/MED
- HPS150/MED
- HPS250/MOG/ED18
- HPS400/MOG/ED18
- MHP50/MED
- MHP70/MED
- MHP100/MED
- MHP150/MED
- MHP175/MOG/ED8
- MHP200/MOG/T15
- MHP250/MOG/ED28
- MHP320/MOG/ED28
- MHP350/MOG/ED28
- MHP400/MOG/ED28
- PSMH175/MED
- PSMH250/MOG
- PSMH400/MOG
- PLT26
- PLT32
- PLT42
- PLT57
- PLT70

FINISHES STANDARD

- BKT Black Textured
- BK Black
- VG Verde Green
- PGT Park Green Textured
- PG Park Green
- ABZT Architectural Medium Bronze Textured
- ABZ Architectural Medium Bronze
- SI Swedish Iron
- DBT Dark Bronze Textured
- DB Dark Bronze
- OWGT Old World Gray Textured
- OWG Old World Gray

FINISHES CUSTOM

- WHT White Textured
- WH White
- CV Copper Vein
- WBK Weathered Black
- WBR Weathered Brown
- CD Cedar
- RT Rust
- OI Old Iron
- TT Two Tone
- CM Custom Match

OPTIONS

- PEC1 Photocell-Bimetal 120 Volt
- PEC2 Photocell-Bimetal 208-277 Volt
- PEC1-E Photocell-Electronic 120 Volt
- PEC2-E Photocell-Electronic 208-277 Volt
- FHS Single Fuse and Holder-120, 277 Volt
- FHD Dual Fuse and Holder-208, 240, 480 Volt
- QR Quartz Re-Strike
- CC3693 Scrolls for R2 or R3 Arm
- HS Hangstraight
- LAMPS Select from List

****LEGEND**

- BF - Basic Fixture
- BT - Blank Top
- CW - Custom Window
- GR - Glow Rings
- GW - Glow Window
- HW - Horizontal Window
- BTSR - Blank Top Solid Rings
- GTSR - Glow Top Solid Rings
- F - Flared Shade
- S - Straight Shade

NOTES:

- 1 Medium base socket is standard with ballasts up to 150 watts.
- 2 Available with T6 lamp.
- 3 Metal halide systems are pulse start.
- 4 RO5SH-S only, Type 5.

STERNBERG*Vintage Down Lighting Fixtures***1970 GALLERY SERIES****SPECIFICATIONS****LIST NO. 1970
GALLERY
SERIES****ARMS**

All arms are made of cast aluminum and/or extruded aluminum. Arms with decorative filigree have meticulously detailed scroll work and gracefully curved brackets. All fixtures will have its fitter either welded to the arm or will be mechanically attached at the factory to ensure arms will be plumb, secure and level over the life of the installation. Each arm shall be bolted to a post mount adapter, which is welded to the pole to ensure proper alignment to the base. Arms are pre-wired for ease of installation.

FINISH

Prior to coating, each assembly shall be chemically cleaned and etched in a 5-stage washing system which includes alkaline cleaning, rinsing, phosphoric etching, reverse osmosis water rinsing and non-chrome sealing to ensure corrosion resistance and excellent adhesion for the finish coating. The finish coating shall be electrostatically applied semi-gloss, super durable polyester powder baked at 400 degrees for a durable and superior, color retentive finish. Our optional antique Verde Green finish and Swedish Iron finish are hand brushed using a 3-step process. The total assembly shall be wrapped in shockproof wrapping or fully enclosed in corrugated cartons.

WARRANTY

Five-year limited warranty. See product and finish warranty guide for details.

**STERNBERG
LIGHTING**

555 Lawrence Ave. Roselle, IL 60172 • 847-588-3400 • Fax 847-588-3440
www.sternberglighting.com

Email: info@sternberglighting.com 8-11

Submitted by Hossley Lighting Associates

HOSSLEY
LIGHTING ASSOCIATED

Job Name:

INWOOD NATIONAL BANK - FINAL
Distributor: Crawford - Dallas (Dallas)

Catalog Number:

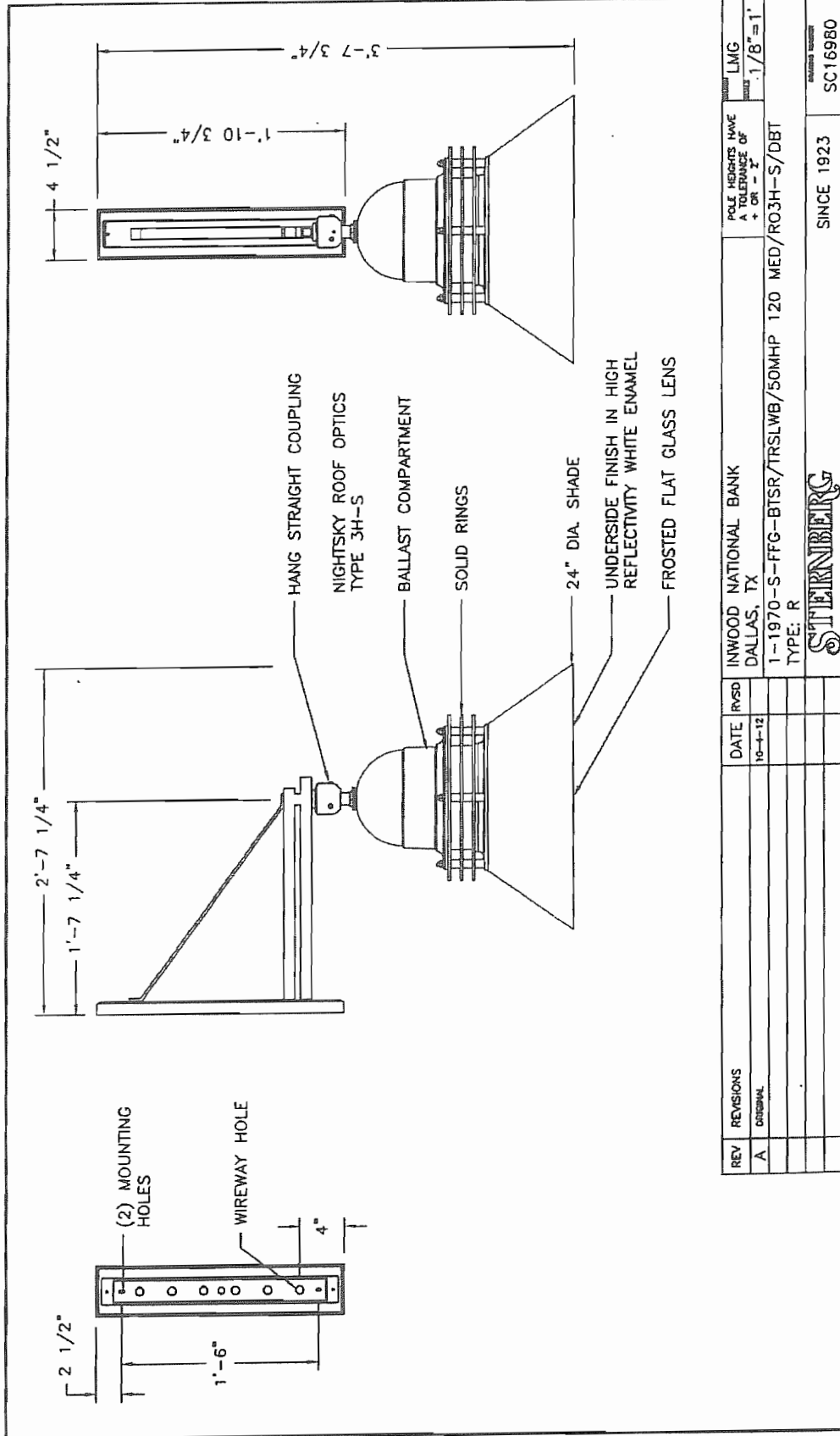
1970FFG-BTSR/TRSLWB/50MHP
120V MED/RO3H-S/DBT

Notes:

Type:

R

DALLAS12-63398



[Handwritten signature]
E.S.



Type:
Job:
Fixture Catalog number:

Fixture	Electrical Module	Finish	Optional Heavy Duty Swivel	Optional Photocell
See page 2			See page 3	
Ordered assembled with fixture.				

Fixture Options:

Ordered Separately from Fixture
See pages 4-5

Mounting Options:

Ordered Separately from Fixture
See pages 6-13

Approvals:

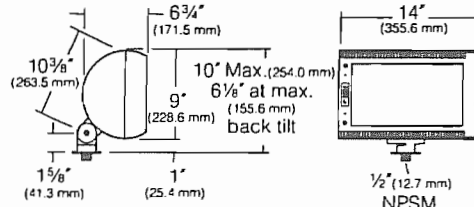
Date:
Page: 1 of 13

Specifications

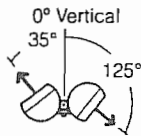
Dimensions

AFL10 Models
70 to 150 watt HID
Medium Base Lamps

with **STANDARD SWIVEL**
Maximum weight: 24 lb



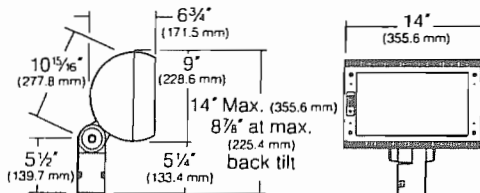
SIDE



FRONT

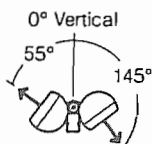
AIMING RANGE
May be limited by selected mounting option as shown on pages 6-10

with **OPTIONAL HEAVY DUTY SWIVEL**
Maximum weight: 25 lb



Slips over 2" pipe-size tenon (50.8 mm)
(2 3/8" O.D. (60.3 mm) x 3 1/2" min. (88.9 mm) length)

SIDE



FRONT

AIMING RANGE
May be limited by selected mounting option as shown on pages 10-13

Housing: One-piece die-cast, low copper (<0.6% Cu) aluminum in a cylindrical shape with integral cooling fins over the entire length, and 1/8" minimum wall thickness. One-piece silicone gasket between housing and door frame concealed when fixture is closed. Concealed integral cast slip hinges with stainless steel pins.

Door Frame: One-piece die-cast, low copper (<0.6% Cu) aluminum with integral cooling fins, 1/8" minimum wall thickness, mates with housing to create a continuous cylindrical shape. Concealed integral cast slip hinges allow removal without tools. Stop-arm provided to limit door frame opening. 3/16" thick clear tempered glass lens is sealed to the lens frame by a one-piece silicone gasket. Door frame secures to housing by four stainless steel recessed captive allen-head screws. Four tapped and plugged holes provided for attachment of options.

Standard Swivel: Die-cast aluminum with integral locking teeth providing 5° adjustment intervals. Stainless steel allen-head locking screw and 1/2" NPSM. Clear anodized prior to chromate conversion coating for added corrosion resistance.

Reflector Assemblies: Interchangeable in all seven AFL10 models. Specular Alzak® aluminum optical components mounted to aluminum frame. Reflector assembly snaps into fixture housing with spring clips. Sockets are 4KV porcelain medium base. (G-12 socket available for T-6 bi-pin 70 and 150 watt Pulse Start Metal Halide lamps. Consult factory.)

Electrical Components: All electrical components are UL and CSA recognized with leads extending out of the swivel. High power factor ballast rated -40°F starting for HPS and -20°F for PMH lamp modes. Optional photocell mounted with sensor on side of housing.

Finish: Super TGIC thermoset polyester powder coat paint, 2.5 mil nominal thickness, applied over a titanated zirconium conversion coating; 2500 hour salt spray test endurance rating. Standard colors are Black, Dark Bronze, Light Gray, Stealth Gray™, Platinum Silver or White. Custom colors are available and subject to additional charges, minimum quantities and longer lead times. Consult representative.

CAUTION: Fixtures must be grounded in accordance with national, state, and/or local electrical codes. Failure to do so may result in serious personal injury.



Listings and Ratings

UL cUL 1598 ¹	CE	IP67 Rated	25C Ambient
--------------------------	----	------------	-------------

¹Suitable for wet locations.

KIM LIGHTING RESERVES THE RIGHT TO CHANGE SPECIFICATIONS WITHOUT NOTICE.



Job Name:
INWOOD NATIONAL BANK - FINAL
Distributor: Crawford - Dallas (Dallas)

Notes:

S

DALLAS12-63398

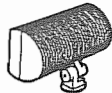


AFL10
Architectural Floodlights
revision 10/1/08 • afl10.pdf

Type:

Job:

Page: 2 of 13



Standard Features

<p>Fixture Cat. No. designates AFL10 fixture and beam pattern.</p> <p>Single fixture EPA with standard swivel: 0.7 (45° tilt) 1.0 (Face on)</p>	<table border="0"> <tr> <td data-bbox="564 858 752 919">Beam Pattern: Cat. No.:</td> <td data-bbox="752 690 917 919"> Wide Flood <input type="checkbox"/> AFL11 </td> <td data-bbox="917 690 1097 919"> Vertical Flood <input type="checkbox"/> AFL12 </td> <td data-bbox="1097 690 1277 919"> Medium Flood <input type="checkbox"/> AFL13 </td> <td data-bbox="1277 690 1450 919"> Narrow Flood <input type="checkbox"/> AFL14 </td> </tr> <tr> <td data-bbox="564 1042 752 1103">Beam Pattern: Cat. No.:</td> <td data-bbox="752 930 917 1103"> Spot <input type="checkbox"/> AFL15 </td> <td data-bbox="917 930 1097 1103"> Narrow Spot <input type="checkbox"/> AFL16 </td> <td data-bbox="1097 930 1277 1103"> Horizontal Spot <input type="checkbox"/> AFL17 </td> <td></td> </tr> </table>	Beam Pattern: Cat. No.:	 Wide Flood <input type="checkbox"/> AFL11	 Vertical Flood <input type="checkbox"/> AFL12	 Medium Flood <input type="checkbox"/> AFL13	 Narrow Flood <input type="checkbox"/> AFL14	Beam Pattern: Cat. No.:	 Spot <input type="checkbox"/> AFL15	 Narrow Spot <input type="checkbox"/> AFL16	 Horizontal Spot <input type="checkbox"/> AFL17																																																									
Beam Pattern: Cat. No.:	 Wide Flood <input type="checkbox"/> AFL11	 Vertical Flood <input type="checkbox"/> AFL12	 Medium Flood <input type="checkbox"/> AFL13	 Narrow Flood <input type="checkbox"/> AFL14																																																															
Beam Pattern: Cat. No.:	 Spot <input type="checkbox"/> AFL15	 Narrow Spot <input type="checkbox"/> AFL16	 Horizontal Spot <input type="checkbox"/> AFL17																																																																
<p>Electrical Module: HPS = High Pressure Sodium PMH = Pulse Start Metal Halide</p> <table border="0"> <tr> <td>Lamp</td> <td>ED-17 Clear</td> <td>ED-17 Clear</td> <td>ED-17 Clear</td> </tr> <tr> <td>Socket</td> <td>Medium Base</td> <td>Medium Base</td> <td>Medium Base</td> </tr> <tr> <td>ANSI Ballast</td> <td>S-62</td> <td>S-54</td> <td>S-55</td> </tr> </table> <table border="0"> <tr> <td><input type="checkbox"/> 70PMH120</td> <td><input type="checkbox"/> 100PMH120</td> <td><input type="checkbox"/> 150PMH120</td> </tr> <tr> <td><input type="checkbox"/> 70PMH208</td> <td><input type="checkbox"/> 100PMH208</td> <td><input type="checkbox"/> 150PMH208</td> </tr> <tr> <td><input type="checkbox"/> 70PMH240</td> <td><input type="checkbox"/> 100PMH240</td> <td><input type="checkbox"/> 150PMH240</td> </tr> <tr> <td><input type="checkbox"/> 70PMH277</td> <td><input type="checkbox"/> 100PMH277</td> <td><input type="checkbox"/> 150PMH277</td> </tr> <tr> <td><input type="checkbox"/> 70PMH347</td> <td><input type="checkbox"/> 100PMH347</td> <td><input type="checkbox"/> 150PMH347</td> </tr> <tr> <td><input type="checkbox"/> 70PMH480</td> <td><input type="checkbox"/> 100PMH480</td> <td><input type="checkbox"/> 150PMH480</td> </tr> </table> <table border="0"> <tr> <td>Lamp</td> <td>ED-17 Clear</td> <td>T-6 Clear</td> <td>ED-17 Clear</td> <td>ED-17 Clear</td> <td>T-6 Clear</td> </tr> <tr> <td>Socket</td> <td>Medium Base</td> <td>G12 Base¹</td> <td>Medium Base</td> <td>Medium Base</td> <td>G12 Base¹</td> </tr> <tr> <td>ANSI Ballast</td> <td>M-98</td> <td></td> <td>M-90</td> <td>M-102</td> <td></td> </tr> </table>	Lamp	ED-17 Clear	ED-17 Clear	ED-17 Clear	Socket	Medium Base	Medium Base	Medium Base	ANSI Ballast	S-62	S-54	S-55	<input type="checkbox"/> 70PMH120	<input type="checkbox"/> 100PMH120	<input type="checkbox"/> 150PMH120	<input type="checkbox"/> 70PMH208	<input type="checkbox"/> 100PMH208	<input type="checkbox"/> 150PMH208	<input type="checkbox"/> 70PMH240	<input type="checkbox"/> 100PMH240	<input type="checkbox"/> 150PMH240	<input type="checkbox"/> 70PMH277	<input type="checkbox"/> 100PMH277	<input type="checkbox"/> 150PMH277	<input type="checkbox"/> 70PMH347	<input type="checkbox"/> 100PMH347	<input type="checkbox"/> 150PMH347	<input type="checkbox"/> 70PMH480	<input type="checkbox"/> 100PMH480	<input type="checkbox"/> 150PMH480	Lamp	ED-17 Clear	T-6 Clear	ED-17 Clear	ED-17 Clear	T-6 Clear	Socket	Medium Base	G12 Base ¹	Medium Base	Medium Base	G12 Base ¹	ANSI Ballast	M-98		M-90	M-102		<p>Cat. Nos. for Electrical Modules available:</p> <table border="0"> <tr> <td><input type="checkbox"/> 70HPS120</td> <td><input type="checkbox"/> 100HPS120</td> <td><input type="checkbox"/> 150HPS120</td> </tr> <tr> <td><input type="checkbox"/> 70HPS208</td> <td><input type="checkbox"/> 100HPS208</td> <td><input type="checkbox"/> 150HPS208</td> </tr> <tr> <td><input type="checkbox"/> 70HPS240</td> <td><input type="checkbox"/> 100HPS240</td> <td><input type="checkbox"/> 150HPS240</td> </tr> <tr> <td><input type="checkbox"/> 70HPS277</td> <td><input type="checkbox"/> 100HPS277</td> <td><input type="checkbox"/> 150HPS277</td> </tr> <tr> <td><input type="checkbox"/> 70HPS347</td> <td><input type="checkbox"/> 100HPS347</td> <td><input type="checkbox"/> 150HPS347</td> </tr> <tr> <td><input type="checkbox"/> 70HPS480</td> <td><input type="checkbox"/> 100HPS480</td> <td><input type="checkbox"/> 150HPS480</td> </tr> </table> <p>¹See Options for - 70W PMH and 150W PMH -T6 lamp with G12 Base selection. NOTE: Due to the Energy Independence and Security Act (EISA) of 2007, Kim Lighting can no longer supply probe start metal halide ballasts with its luminaires, effective January 1, 2009. Contact Kim Lighting for availability of replacement ballasts for warranty service claims. (Visit www.aboutlightingcontrols.org or the Library of Congress website for more details).</p>	<input type="checkbox"/> 70HPS120	<input type="checkbox"/> 100HPS120	<input type="checkbox"/> 150HPS120	<input type="checkbox"/> 70HPS208	<input type="checkbox"/> 100HPS208	<input type="checkbox"/> 150HPS208	<input type="checkbox"/> 70HPS240	<input type="checkbox"/> 100HPS240	<input type="checkbox"/> 150HPS240	<input type="checkbox"/> 70HPS277	<input type="checkbox"/> 100HPS277	<input type="checkbox"/> 150HPS277	<input type="checkbox"/> 70HPS347	<input type="checkbox"/> 100HPS347	<input type="checkbox"/> 150HPS347	<input type="checkbox"/> 70HPS480	<input type="checkbox"/> 100HPS480	<input type="checkbox"/> 150HPS480
Lamp	ED-17 Clear	ED-17 Clear	ED-17 Clear																																																																
Socket	Medium Base	Medium Base	Medium Base																																																																
ANSI Ballast	S-62	S-54	S-55																																																																
<input type="checkbox"/> 70PMH120	<input type="checkbox"/> 100PMH120	<input type="checkbox"/> 150PMH120																																																																	
<input type="checkbox"/> 70PMH208	<input type="checkbox"/> 100PMH208	<input type="checkbox"/> 150PMH208																																																																	
<input type="checkbox"/> 70PMH240	<input type="checkbox"/> 100PMH240	<input type="checkbox"/> 150PMH240																																																																	
<input type="checkbox"/> 70PMH277	<input type="checkbox"/> 100PMH277	<input type="checkbox"/> 150PMH277																																																																	
<input type="checkbox"/> 70PMH347	<input type="checkbox"/> 100PMH347	<input type="checkbox"/> 150PMH347																																																																	
<input type="checkbox"/> 70PMH480	<input type="checkbox"/> 100PMH480	<input type="checkbox"/> 150PMH480																																																																	
Lamp	ED-17 Clear	T-6 Clear	ED-17 Clear	ED-17 Clear	T-6 Clear																																																														
Socket	Medium Base	G12 Base ¹	Medium Base	Medium Base	G12 Base ¹																																																														
ANSI Ballast	M-98		M-90	M-102																																																															
<input type="checkbox"/> 70HPS120	<input type="checkbox"/> 100HPS120	<input type="checkbox"/> 150HPS120																																																																	
<input type="checkbox"/> 70HPS208	<input type="checkbox"/> 100HPS208	<input type="checkbox"/> 150HPS208																																																																	
<input type="checkbox"/> 70HPS240	<input type="checkbox"/> 100HPS240	<input type="checkbox"/> 150HPS240																																																																	
<input type="checkbox"/> 70HPS277	<input type="checkbox"/> 100HPS277	<input type="checkbox"/> 150HPS277																																																																	
<input type="checkbox"/> 70HPS347	<input type="checkbox"/> 100HPS347	<input type="checkbox"/> 150HPS347																																																																	
<input type="checkbox"/> 70HPS480	<input type="checkbox"/> 100HPS480	<input type="checkbox"/> 150HPS480																																																																	
<p>Finish Super TGIC powder coat paint over a titanated zirconium conversion coating.</p>	<p>Color: Black <input type="checkbox"/> BL <input checked="" type="checkbox"/> Dark Bronze DB <input type="checkbox"/> LG Light Gray <input type="checkbox"/> SG Stealth Gray™ <input type="checkbox"/> PS Platinum Silver <input type="checkbox"/> WH White <input type="checkbox"/> CC Custom Color²</p> <p>Cat. No.: <input type="checkbox"/> BL <input checked="" type="checkbox"/> DB <input type="checkbox"/> LG <input type="checkbox"/> SG <input type="checkbox"/> PS <input type="checkbox"/> WH <input type="checkbox"/> CC</p> <p>²Custom colors subject to additional charges, minimum quantities and extended lead times. Consult representative. Custom color description: _____</p>																																																																		

**KIM LIGHTING****AFL10**

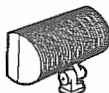
Architectural Floodlights

revision 10/1/08 • afl10.pdf

Type:

Job:

Page: 3 of 13

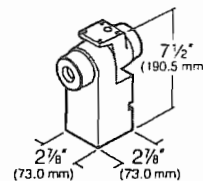


Optional Features

Ordered Assembled with Fixture

Heavy Duty SwivelCat. No. HDS
 No OptionSingle fixture EPA with
heavy duty swivel:
0.8 (45° tilt)
1.1 (Face on)

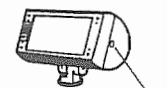
Cast low copper (<0.6% Cu) aluminum with locking teeth providing 5° adjustment intervals. 3/8" stainless steel locking bolt. Two 3/8" stainless steel set point screws secure swivel to any 2" pipe-size tenon (2 3/8" O.D. x 3 1/2" min. length). Clear anodized prior to chromate conversion coating for added corrosion resistance.

CAUTION: Recommended for vandal resistant requirements.**Photocell**Cat. No. (see right)
 No Option

Factory installed with flush sensor on side of housing. Select photocell with same line volts as fixture.

CAUTION: Use only in locations where adjacent lighting will not affect operation of photocell.

Cat. No.	Line Volts		
<input type="checkbox"/> A-30	120V	<input type="checkbox"/> A-33	277V
<input type="checkbox"/> A-31	208V	<input type="checkbox"/> A-34	480V
<input type="checkbox"/> A-32	240V	<input type="checkbox"/> A-35	347V



Photocell Sensor



AFL10

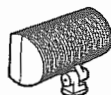
Architectural Floodlights

revision 10/1/08 • afl10.pdf

Type:

Job:

Page: 4 of 13



Fixture Options

Ordered Separately from Fixture

G12 Socket

Cat. No. G12
 No Option

Optional G12 base socket available for 70W and 150W Pulse Start Metal Halide lamp only, T-6 Bipin configuration. Must use UV filtering lamp. Consult factory.

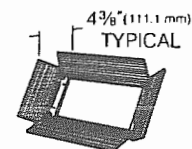
Barn Doors

Cat. No. (see right)
 No Option

Extruded aluminum doors with anti-reflection baffles. Each door is hinged to a cast, low copper (<0.6% Cu) aluminum frame, and locks by set screws. Doors are individually removable. Barn Door assembly mounts to predrilled door frame holes.

CAUTION: Not recommended for ground mounted fixtures in vandal prone areas.

Cat. No.	Finish:	Cat. No.	Finish:
<input type="checkbox"/> BD/BL	Black	<input type="checkbox"/> BD/DB	Dark Bronze
<input type="checkbox"/> BD/LG	Light Gray	<input type="checkbox"/> BD/PS	Platinum Silver
<input type="checkbox"/> BD/SG	Stealth Gray™	<input type="checkbox"/> BD/WH	White

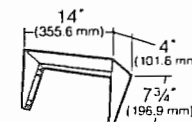


Fixed Hood

Cat. No. (see right)
 No Option

Formed 1/8" thick aluminum. Mounts to predrilled door frame holes. Can be mounted along the top or bottom of the fixture to shield the lamp and lens from view.

Cat. No.	Finish:	Cat. No.	Finish:
<input type="checkbox"/> FH/BL	Black	<input type="checkbox"/> FH/DB	Dark Bronze
<input type="checkbox"/> FH/LG	Light Gray	<input type="checkbox"/> FH/PS	Platinum Silver
<input type="checkbox"/> FH/SG	Stealth Gray™	<input type="checkbox"/> FH/WH	White



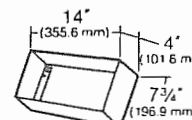
Full Shield

Cat. No. (see right)
 No Option

Formed 1/8" thick aluminum. Mounts to predrilled door frame holes.

CAUTION: Do not use full shield in locations where leaves and trash can collect inside shield.

Cat. No.	Finish:	Cat. No.	Finish:
<input type="checkbox"/> FS/BL	Black	<input type="checkbox"/> FS/DB	Dark Bronze
<input type="checkbox"/> FS/LG	Light Gray	<input type="checkbox"/> FS/PS	Platinum Silver
<input type="checkbox"/> FS/SG	Stealth Gray™	<input type="checkbox"/> FS/WH	White



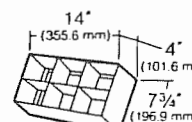
Grid Louver for AFL15 and AFL16

Cat. No. (see right)
 No Option

Formed 1/8" thick aluminum. Mounts to predrilled door frame holes. Provides glare control for AFL15 and AFL16 Spots while maintaining beam efficiency and uniformity.

NOTE: For use with AFL15 and AFL16 only.

Cat. No.	Finish:	Cat. No.	Finish:
<input type="checkbox"/> GL4/BL	Black	<input type="checkbox"/> GL4/DB	Dark Bronze
<input type="checkbox"/> GL4/LG	Light Gray	<input type="checkbox"/> GL4/PS	Platinum Silver
<input type="checkbox"/> GL4/SG	Stealth Gray™	<input type="checkbox"/> GL4/WH	White



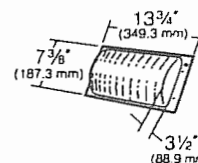
Lexan® Lens Shield

Cat. No. AFL-LS
 No Option

3/8" thick, clear convex, vacuum formed, advanced polymer (Lexan®) lens shield with gasket. Mounts over lens to predrilled door frame holes and may be used with BD Barn Door, FH Fixed Hood, or FS Full Shield option.

CAUTION: Use only when vandalism is anticipated.

NOTE: Not for use with GL4 Louver or CFA1 color filter options.





KIM LIGHTING

AFL10

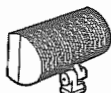
Architectural Floodlights

revision 10/1/08 • afl10.pdf

Type:

Job:

Page: 5 of 13



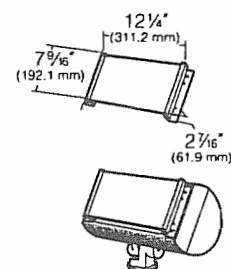
Fixture Options

Ordered Separately from Fixture

Color Filter Assembly
Cat. No. (See right)
 No Option

Heavy wall aluminum extrusion with anti-reflection baffles and vertical channels that hold the color filter 2" away from the fixture lens. Quick change-out of the color filter is possible by the removal of two channel screws. Support mounts to predrilled holes in fixture door frame. May be used with **BD** Barn Door, **FH** Fixed Hood, or **FS** Full Shield option.

Cat. No.	Finish:
<input type="checkbox"/> CFA1-XX/BL	Black
<input type="checkbox"/> CFA1-XX/DB	Dark Bronze
<input type="checkbox"/> CFA1-XX/LG	Light Gray
<input type="checkbox"/> CFA1-XX/SG	Stealth Gray™
<input type="checkbox"/> CFA1-XX/PS	Platinum Silver
<input type="checkbox"/> CFA1-XX/WH	White



Color Filter Assembly Cat. No. includes color filter and channel finish. Specify filter, substituting **XX** for color filter number (See below) and add finish.

Ex.: CFA1-15/BL

Color Filter Selection (See color samples on page 47 of AFL catalog.)

Color ¹	XX Filter # ²	Description
Deep Straw	<input type="checkbox"/> 15	Warms metal halide color. Deepens high pressure sodium color to yellow/orange.
Rose Tint	<input type="checkbox"/> 05	Warms metal halide color. Deepens high pressure sodium color to pink/orange.
Medium Red	<input type="checkbox"/> 27	Deep color accent. Best used with high pressure sodium lamps. NOTE: Very low output with metal halide lamps.
Brilliant Blue	<input type="checkbox"/> 69	Deep color accent. Best used with metal halide lamps. NOTE: Not recommended for high pressure sodium lamps.
Primary Green	<input type="checkbox"/> 91	Deep color accent. Blue shift with metal halide lamps. Yellow shift with high pressure sodium lamps.

NOTE: Color samples shown for reference only and will not represent actual illumination color rendered by HID lamps.

¹Exact color output is highly dependent on lamp used, (i.e. HPS vs. PMH, specific lamp color temperature and other factors).

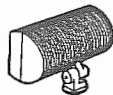
²XX Color filter number corresponds with Roscolux color filter numbers.



Type:

Job:

Page: 6 of 13



Mounting Options

Ordered Separately from Fixture



Reference symbol for fixture aiming range when mounted on the option as shown. This range is in the vertical plane and does not necessarily apply to all conditions. See page 1 for full aiming range without mounting options.

Brass In-grade Architectural Junction Box

Standard Swivel Mount.

Cat. No. (See right)
 No Option

Die-cast brass with 1/2" NPSM fixture mount and die-cast cover. Internal set screw provided for locking position. 21 cu in. internal volume.

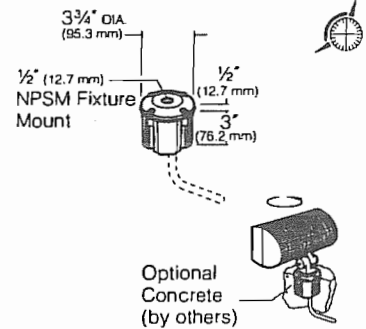
- JBR-2 (2) 1/2" NPT in bottom
- JBR-3 (2) 3/4" NPT in bottom
- JBR-21 (2) 1/2" NPT in sides, (2) 1/2" NPT in bottom
- JBR-24 (4) 1/2" NPT in sides, (2) 1/2" NPT in bottom

NOTE: All side taps provided with plugs.

Application Notes

- Creates a flush-mounted appearance.
- May be cast in concrete for increased stability.

CAUTION: Fixture stem and swivel must not contact soil or standing water. Provide drainage away from junction box.



Brass In-grade Staked Junction Box

Standard Swivel Mount.

Cat. No. (See right)
 No Option

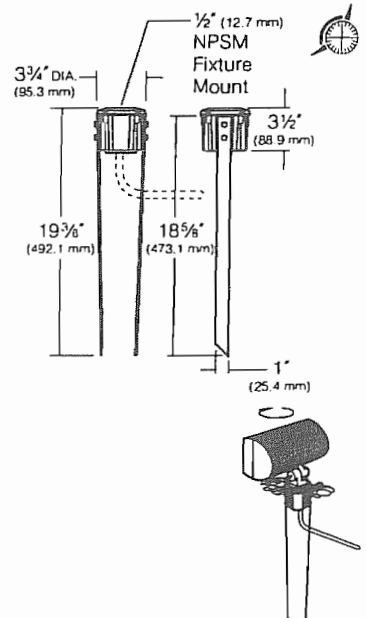
Die-cast brass with 1/2" NPSM fixture mount and die-cast cover. Internal set screw provided for locking position. 21 cu in. internal volume.

- JBR30 (2) 1/2" NPT in bottom, (2) 19" long stakes

Application Notes

- Creates a flush-mounted appearance.
- May be cast in concrete for increased stability.

CAUTION: To assure a rigid installation, Staked Junction Box must be set in concrete (by others). Fixture stem and swivel must not contact soil or standing water. Provide drainage away from junction box.



**KIM LIGHTING****AFL10**

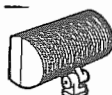
Architectural Floodlights

revision 10/1/08 • afl10.pdf

Type:

Job:

Page: 7 of 13



Mounting Options

Ordered Separately from Fixture



Reference symbol for fixture aiming range when mounted on the option as shown. This range is in the vertical plane and does not necessarily apply to all conditions. See page 1 for full aiming range without mounting options.

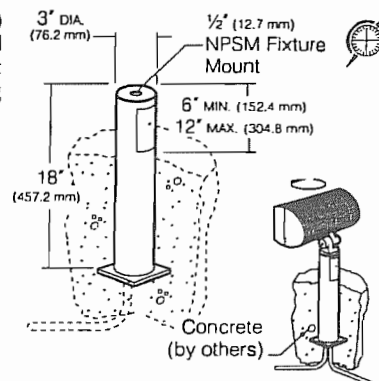
Stanchion Mount

Standard Swivel Mount.

Cat. No. (See right)
 No Option

3" O.D. by .188" wall cast low copper (<0.6% Cu) aluminum with 1/2" NPSM fixture mount and hand hole with flush cover. Internal set screw fixture lock accessible through hand hole. Internal ground lug supplied with installed lead.

CAUTION: To assure a rigid installation, stanchion must be set in concrete (by others).

Cat. No. Finish:
 SM18/BL Black
 SM18/DB Dark Bronze
 SM18/LG Light Gray
 SM18/SG Stealth Gray™
 SM18/PS Platinum Silver
 SM18/WH White

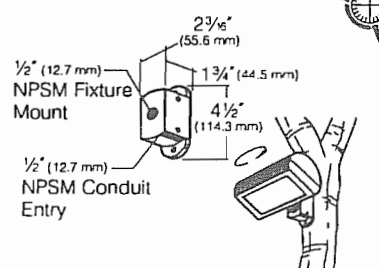
Surface Mount

Standard Swivel Mount.

Cat. No. (See right)
 No Option

Cast low copper (<0.6% Cu) aluminum with mounting ears for wood screw attachment to tree or wood structure. 5.5 cu in. splice compartment with gasketed cover. 1/2" NPSM fixture mount and 1/2" NPSM conduit or cord seal entry.

NOTE: Surface mount can be connected to conduit or outdoor cord with a waterproof cord seal (by others).

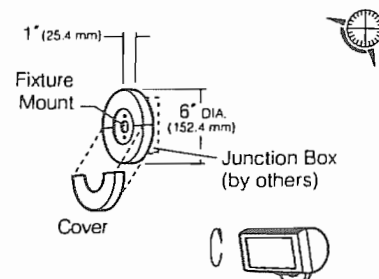
Cat. No. Finish:
 J-27N/BL Black
 J-27N/DB Dark Bronze
 J-27N/LG Light Gray
 J-27N/SG Stealth Gray™
 J-27N/PS Platinum Silver
 J-27N/WH White

Wall or Ceiling Mount

Standard Swivel Mount.

Cat. No. (See right)
 No Option

Electro zinc steel mounting plate adapts to standard 4" square or octagonal Junction Boxes. Fixture mounts to cast low copper (<0.6% Cu) aluminum upper cover which attaches to mounting plate. Lower cover half provides splice access. Dielectric sealing compound provided for wall interface.

Cat. No. Finish:
 WM/BL Black
 WM/DB Dark Bronze
 WM/LG Light Gray
 WM/SG Stealth Gray™
 WM/PS Platinum Silver
 WM/WH White



KIM LIGHTING

AFL10

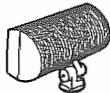
Architectural Floodlights

revision 10/1/08 • afl10.pdf

Type:

Job:

Page: 8 of 13



Mounting Features

Ordered Separately from Fixture



Reference symbol for fixture aiming range when mounted on the option as shown. This range is in the vertical plane and does not necessarily apply to all conditions. See page 1 for full aiming range without mounting options.

Architectural Junction Box

Standard Swivel Mount.

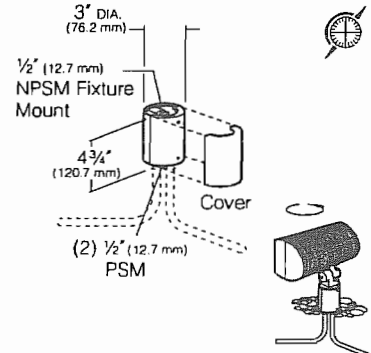
Cat. No. (See right)

 No Option

Die-cast, low copper (<0.6% Cu) anodized aluminum with 1/2" NPSM fixture mount. Internal set screw provided for locking position. Two 1/2" NPSM in bottom, 17 cu in. internal volume.

CAUTION: Junction Box must be installed high enough to avoid contact with soil or standing water.

Cat. No.	Finish:
<input type="checkbox"/> JB1/BL	Black
<input type="checkbox"/> JB1/DB	Dark Bronze
<input type="checkbox"/> JB1/LG	Light Gray
<input type="checkbox"/> JB1/SG	Stealth Gray™
<input type="checkbox"/> JB1/PS	Platinum Silver
<input type="checkbox"/> JB1/WH	White



Wall Mount

Standard Swivel Mount.

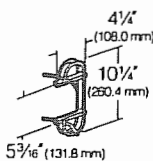
Cat. No. (See right)

 No Option

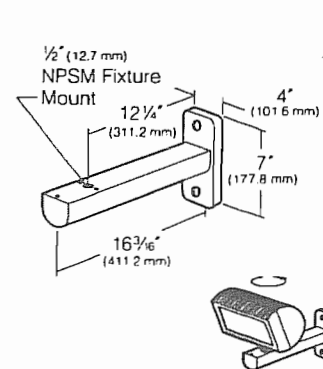
Component EPA: 0.3

Extruded aluminum arm with a removable end cap for wiring access. Arm is welded to a cast aluminum plate with two 1/2" dia. mounting holes.

Cat. No.	Finish:
<input type="checkbox"/> WM1/BL	Black
<input type="checkbox"/> WM1/DB	Dark Bronze
<input type="checkbox"/> WM1/LG	Light Gray
<input type="checkbox"/> WM1/SG	Stealth Gray™
<input type="checkbox"/> WM1/PS	Platinum Silver
<input type="checkbox"/> WM1/WH	White
<input type="checkbox"/> WEB	



Optional Wall Embedment Bracket (WEB) provides 3/8-16 bolt receptacles welded in a galvanized re-bar cage for casting into poured-in-place concrete walls. Bolt receptacles receive fixture attachment bolts.



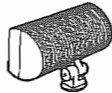


AFL10
Architectural Floodlights
revision 10/1/08 • afl10.pdf

Type:

Job:

Page: 9 of 13



Mounting Options

Ordered Separately from Fixture



Reference symbol for fixture aiming range when mounted on the option as shown. This range is in the vertical plane and does not necessarily apply to all conditions. See page 1 for full aiming range without mounting options.

Side Pole Mount

Standard Swivel Mount.

Cat. No. (see right)

 No Option

Component EPA: 0.3

Available for Round and Square Poles

NOTE: Field drilling of Poles is required.

Extruded aluminum arm. Internal set screw fixture lock. Removable end cap for wiring access. For use with other Kim Site/Roadway Luminaires as an additional mid-pole floodlight.

Cat. No. Finish:
 SPM-X/BL Black
 SPM-X/DB Dark Bronze
 SPM-X/LG Light Gray
 SPM-X/SG Stealth Gray™
 SPM-X/PS Platinum Silver
 SPM-X/WH White

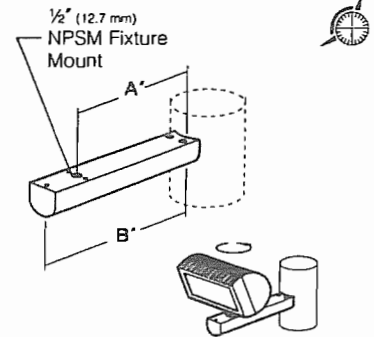
Side Pole Mount Cat. No. includes pole dia. and finish.

Pole Diameter Selection

3"
 3½"
 4"
 5"
 6"
 Square Pole

Example: **SPM-4/BL** for 4" Round Pole

For square poles, omit -X and add finish.

Example: **SPM/BL** for Square Pole.

A 11½" (292.1 mm) For Round Poles
 12" (304.8 mm) For Square Poles
 B 15¾" (399.5 mm) For Round Poles
 15½" (403.2 mm) For Square Poles

Twin Mount

Standard Swivel Mount.

Cat. No. (see right)

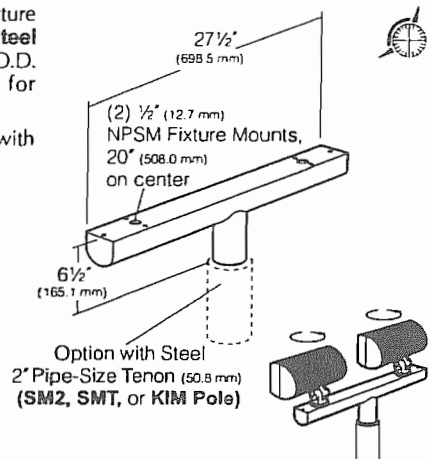
 No Option

Component EPA: 0.6

Extruded aluminum arm. Internal set screw fixture locks. Can be mounted on a **SM2**, **SMT**, or **Steel Kim Pole** with steel 2" pipe-size tenon (2¾" O.D. x 3½" min. length). Removable end caps for wiring access.

CAUTION: Approved for mounting to poles with steel tenons only.

Cat. No. Finish:
 TM2/BL Black
 TM2/DB Dark Bronze
 TM2/LG Light Gray
 TM2/SG Stealth Gray™
 TM2/PS Platinum Silver
 TM2/WH White



**KIM LIGHTING****AFL10**

Architectural Floodlights

revision 10/1/08 • afl10.pdf

Type:

Job:

Page: 10 of 13



Mounting Options

Ordered Separately from Fixture



Reference symbol for fixture aiming range when mounted on the option as shown. This range is in the vertical plane and does not necessarily apply to all conditions. See page 1 for full aiming range without mounting options.

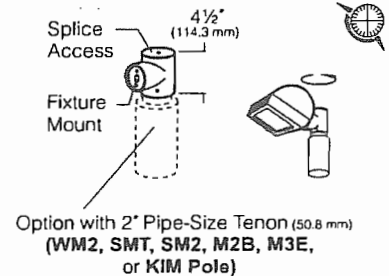
Post Top Mount

Standard Swivel Mount.

Cat. No. (see right)
 No Option

Component EPA: 0.7

Cast aluminum mount for pole or other mounting option with 2" pipe-size tenon (2 3/8" O.D. x 3 1/2" minimum length). Fixture attaches with concealed internal studs, mounting is with 1/4-20 allen set screws. Top cap provides splice access.

Cat. No. Finish:
 PT/BL Black
 PT/DB Dark Bronze
 PT/LG Light Gray
 PT/SG Stealth Gray™
 PT/PS Platinum Silver
 PT/WH White

Option with 2" Pipe-Size Tenon (50.8 mm)
(WM2, SMT, SM2, M2B, M3E,
or KIM Pole)

Twin Post Top Mount

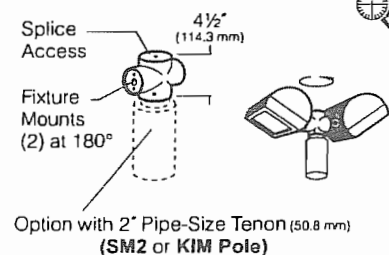
Standard Swivel Mount.

Cat. No. (see right)
 No Option

Component EPA: 0.1

Cast aluminum mount for pole or other mounting option with 2" pipe-size tenon (2 3/8" O.D. x 3 1/2" minimum length). Fixture attaches with concealed internal studs, mounting is with 1/4-20 allen set screws. Top cap provides splice access.

NOTE: Not for use with SMT, SPT, WM2, M2B, or M3E options.

Cat. No. Finish:
 PT2/BL Black
 PT2/DB Dark Bronze
 PT2/LG Light Gray
 PT2/SG Stealth Gray™
 PT2/PS Platinum Silver
 PT2/WH White

Option with 2" Pipe-Size Tenon (50.8 mm)
(SM2 or KIM Pole)

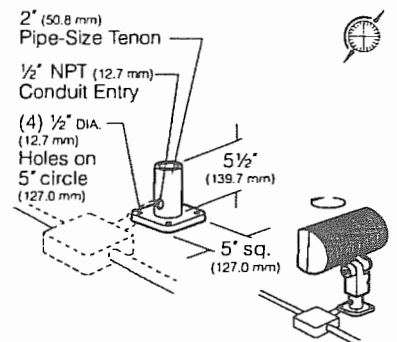
Surface Mount Tenon

2" Tenon - For Optional Heavy Duty Swivel Mount Only.

Cat. No. SMT/BL
 No Option

2" pipe-size tenon (2 3/8" O.D., 2" I.D.) welded to a cast aluminum plate. Plate has four 1/2" mounting holes, and tenon has one 1/2" NPT for side conduit entry. Black finish.

NOTE: Not for use with PT2, M2B, or M3E options. May be wall mounted if horizontal fixture adjustment is not required. For wall mounting with horizontal fixture adjustment, use WM2.



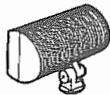


AFL10
Architectural Floodlights
revision 10/1/08 • afl10.pdf

Type:

Job:

Page: 11 of 13



Mounting Options

Ordered Separately from Fixture



Reference symbol for fixture aiming range when mounted on the option as shown. This range is in the vertical plane and does not necessarily apply to all conditions. See page 1 for full aiming range without mounting options.

Stanchion Mount Tenon

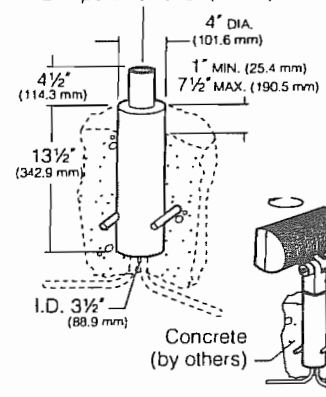
2" Tenon - For Optional Heavy Duty Swivel Mount Only.

Cat. No. SM2/BL
 No Option

4" O.D. cast low copper (<0.6% Cu) aluminum stanchion with 2" pipe-size tenon (2 3/8" O.D., 1 3/8" I.D.) for mounting a single fixture or multiple top-mounts. Black finish.

CAUTION: Multiple top-mounts must not be used in locations where people can climb on fixtures and mounting arms. To assure a rigid installation, stanchion must be set in concrete (by others).

2" Pipe-Size Tenon (50.8 mm)



Wall Mount Tenon

2" Tenon - For Optional Heavy Duty Swivel Mount Only.

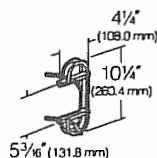
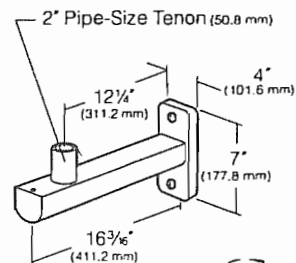
Cat. No. (see right)
 No Option

Component EPA: 0.3

2" pipe-size tenon (2 3/8" O.D., 2" I.D.) welded to an extruded aluminum arm with a removable end cap for wiring access. Arm is welded to a cast aluminum plate with two 1/2" mounting holes.

NOTE: Not for use with PT2 option.

Cat. No. Finish:
 WM2/BL Black
 WM2/DB Dark Bronze
 WM2/LG Light Gray
 WM2/SG Stealth Gray™
 WM2/PS Platinum Silver
 WM2/WH White
 WEB



Optional Wall Embedment Bracket (WEB) provides 3/8-16 bolt receptacles welded in a galvanized re-bar cage for casting into poured-in-place concrete walls. Bolt receptacles receive fixture attachment bolts.



AFL10

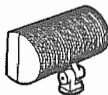
Architectural Floodlights

revision 10/1/08 • afl10.pdf

Type:

Job:

Page: 12 of 13



Mounting Options

Ordered Separately from Fixture



Reference symbol for fixture aiming range when mounted on the option as shown. This range is in the vertical plane and does not necessarily apply to all conditions. See page 1 for full aiming range without mounting options.

Side Pole Mount Tenon

2" Tenon - For Optional Heavy Duty Swivel Mount Only.

Cat. No. (see right)
 No Option

Component EPA: 0.3

Available for Round and Square Poles.

NOTE: Field drilling of Poles is required.

Extruded aluminum arm with one 2" pipe-size tenon (2 3/8" O.D., 2" I.D.). Removable end cap for wiring access. For use with other Kim Site/Roadway Luminaires as an additional mid-pole floodlight.

NOTE: Not for use with PT2 option.

Cat. No.	Finish:
<input type="checkbox"/> SPT-X/BL	Black
<input type="checkbox"/> SPT-X/DB	Dark Bronze
<input type="checkbox"/> SPT-X/LG	Light Gray
<input type="checkbox"/> SPT-X/SG	Stealth Gray™
<input type="checkbox"/> SPT-X/PS	Platinum Silver
<input type="checkbox"/> SPT-X/WH	White

Side Pole Mount Cat. No. includes pole dia. and finish.

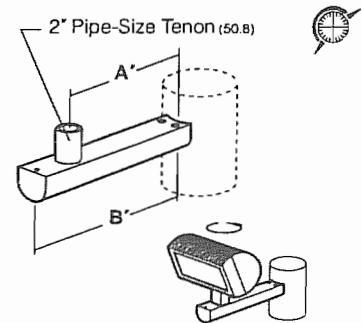
Pole Diameter Selection

- 3'
 3 1/2'
 4'
 5'
 6'
 Square Pole

Example: **SPT-4/BL** for 4" Round Pole

For square poles, omit -X and add finish.

Example: **SPT/BL** for Square Pole.



- | | | |
|---|--------------------|------------------|
| A | 11 1/2" (292.1 mm) | For Round Poles |
| | 12" (304.8 mm) | For Square Poles |
| B | 15 3/8" (390.5 mm) | For Round Poles |
| | 15 7/8" (403.2 mm) | For Square Poles |

Twin Mount Tenon

2" Tenon - For Optional Heavy Duty Swivel Mount Only.

Cat. No. (see right)
 No Option

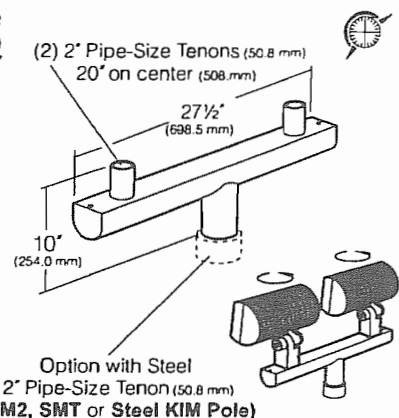
Component EPA: 0.6

Extruded aluminum arm with two 2" pipe-size tenons (2 3/8" O.D., 2" I.D.). Can be mounted on a **SM2**, **SMT**, or **Steel Kim Pole** with a steel 2" pipe-size tenon (2 3/8" O.D. x 3 1/2" min. length). Removable end caps for wiring access.

NOTE: Not for use with PT2 option.

CAUTION: Approved for mounting to poles with steel tenons only.

Cat. No.	Finish:
<input type="checkbox"/> M2B/BL	Black
<input type="checkbox"/> M2B/DB	Dark Bronze
<input type="checkbox"/> M2B/LG	Light Gray
<input type="checkbox"/> M2B/SG	Stealth Gray™
<input type="checkbox"/> M2B/PS	Platinum Silver
<input type="checkbox"/> M2B/WH	White



Option with Steel 2" Pipe-Size Tenon (50.8 mm) (**SM2**, **SMT** or **Steel KIM Pole**)

**KIM LIGHTING****AFL10**

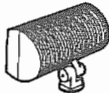
Architectural Floodlights

revision 10/1/08 • afl10.pdf

Type:

Job:

Page: 13 of 13



Mounting Options

Ordered Separately from Fixture



Reference symbol for fixture aiming range when mounted on the option as shown. This range is in the vertical plane and does not necessarily apply to all conditions. See page 1 for full aiming range without mounting options.

Triple Mount Tenon

2" Tenon - For Optional Heavy Duty Swivel Mount Only.

Cat. No. (see right)

 No Option

Component EPA: 1.0

Extruded aluminum arm with three 2" pipe-size tenons (2 3/8" O.D., 2" I.D.). Can be mounted on a **SM2**, **SMT**, or **Steel Kim Pole** with steel 2" pipe-size tenon (2 3/8" O.D. x 3 1/2" min. length). Removable end caps for wiring access.

NOTE: Not for use with **PT2** option.

CAUTION: Approved for mounting to poles with steel tenons only.

Cat. No.

Finish:

- | | |
|---------------------------------|-----------------|
| <input type="checkbox"/> M3E/BL | Black |
| <input type="checkbox"/> M3E/DB | Dark Bronze |
| <input type="checkbox"/> M3E/LG | Light Gray |
| <input type="checkbox"/> M3E/SG | Stealth Gray™ |
| <input type="checkbox"/> M3E/PS | Platinum Silver |
| <input type="checkbox"/> M3E/WH | White |

