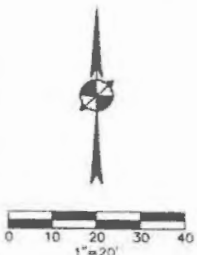


**CAUTION**  
 CONTRACTOR IS TO CONTACT TEXAS ONE-CALL SYSTEM (1-800-245-4545) OR OTHER UTILITY LOCATING SERVICES AT LEAST 48 HOURS PRIOR TO CONSTRUCTION ACTIVITIES. BURY & PARTNERS IS NOT RESPONSIBLE FOR KNOWING ALL EXISTING UTILITIES IN THE PROJECT AREA NOR FOR VERIFYING THE EXACT LOCATIONS OF UTILITIES ON THESE DRAWINGS.



- LEGEND**
- G - GAS LINE
  - A - AREA DRAIN
  - W - WATER VALVE
  - U - UNDERGROUND GAS MARKER
  - A/C - AIR CONDITIONING UNIT
  - D - DRAINAGE INLET
  - S - SIGN
  - C - COLUMN
  - T - TREE
  - B - BENCHMARK
  - W - WOOD RETAINING WALL

**APPROVED FOR CONSTRUCTION**

OCT 21 2004

City of Rockwall Engineering Dept.  
 City Engineer: \_\_\_\_\_

- BM #1 = 102.61  
 "SQUARE CUT" SET ON TOP OF WALL
- BM #2 = 100.00  
 FF ELEVATION AT DOOR ON SOUTH SIDE OF BUILDING
- BM #3 = 100.03  
 FF ELEVATION AT DOOR NEAR NE CORNER OF BUILDING

NO.	BY	DATE

REVISION

**Bury & Partners**  
 ENGINEERING SOLUTIONS  
 3310 Barrett Hill Road, Suite 100  
 Dallas, Texas 75229  
 Tel: (972) 991-0811 Fax: (972) 991-0278  
 BuryPartners@Bury.com ©Copyright 2004

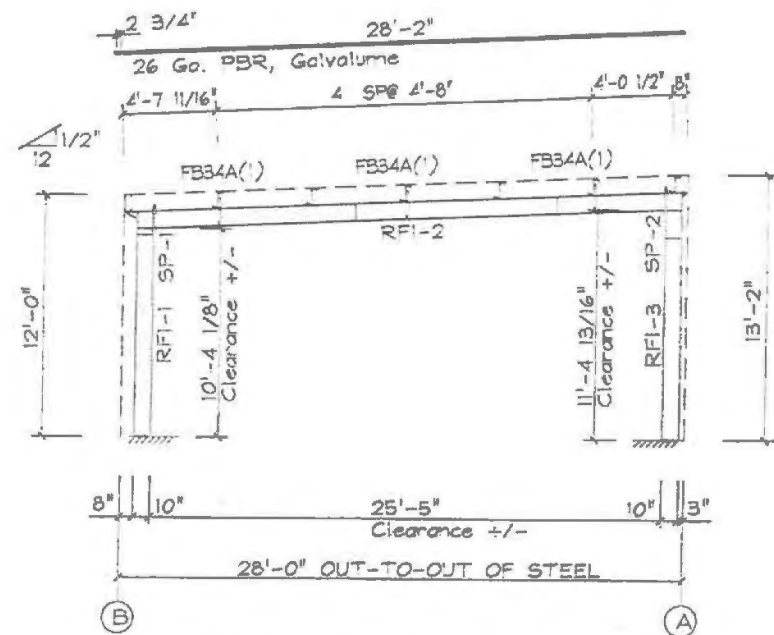
STATE OF TEXAS  
 PAUL M. HAMES  
 66751  
 PROFESSIONAL ENGINEER  
 11/1/04

**CONCEPTUAL SITE PLAN**

**ROCKWALL COUNTY HELPING HANDS, INC.**  
 (LAKESIDE CHURCH OF CHRIST TRACT)  
 950 WILLIAMS STREET  
 CITY OF ROCKWALL, TEXAS

Scale: 1" = 20' Date: 11-1-04  
 Designed By: MLC  
 Drawn By: RH  
 Checked By: MLC  
 File: F:\3599-16\99916SPN.DWG  
 Project No.: 30899-16

SHEET  
**SP-1**



RIGID FRAME CROSS SECTION  
FOR FRAME LINE 1-4

Flange Braces: (1) One Side; (2) Two Sides  
A - FB34

SPLICE PLATES & BOLTS									
Splice Mark	Quan	Top/Bot/Int	Bolt		Plate Size				
			Type	Dia	Len	Wid	Thick	Length	
SP-1	4	4	0	A325	5/8"	1 3/4"	6"	3/8"	1'-5 1/2"
SP-2	4	4	0	A325	5/8"	1 3/4"	6"	3/8"	1'-5 1/2"

PIECE	WEB DEPTH		WEB PLATE		OUTSIDE FLANGE		INSIDE FLANGE			
	START	END	THICK	LENGTH	W	T	LEN	W	T	LEN
RF1-1	9.4	9.4	0.134	120.0	6x5/16"	x133.6	6x5/16"	x120.2		
	9.4	9.4	0.134	14.0	6x1/4"	x 17.7				
RF1-2	10.0	10.0	0.112	120.0	5x1/4"	x233.6	5x1/4"	x234.0		
	10.0	10.0	0.112	120.0	5x1/4"	x 70.8	5x1/4"	x 70.4		
RF1-3	9.4	9.4	0.134	27.1	6x1/4"	x 12.7	6x5/16"	x132.9		
	9.4	9.4	0.134	120.0	6x5/16"	x147.1				

**APPROVAL REQUIRED**

NO EXCEPTION TAKEN

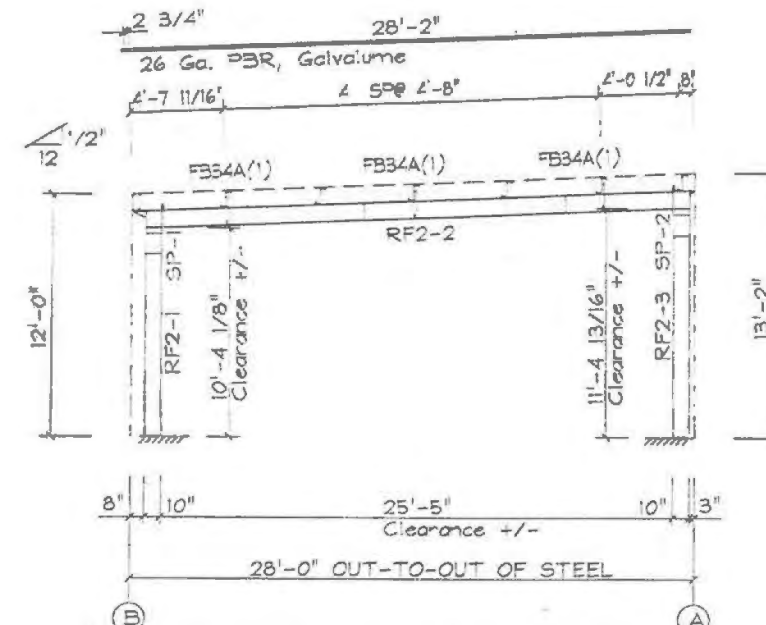
REJECTED

MAKE CORRECTION NOTED

REVISE AND RE-SUBMIT

BY \_\_\_\_\_

DATE \_\_\_\_\_



RIGID FRAME CROSS SECTION  
FOR FRAME LINE 2-3

Flange Braces: (1) One Side; (2) Two Sides  
A - FB34

SPLICE PLATES & BOLTS									
Splice Mark	Quan	Top/Bot/Int	Bolt		Plate Size				
			Type	Dia	Len	Wid	Thick	Length	
SP-1	4	4	0	A325	5/8"	2"	6"	1/2"	1'-5 1/2"
SP-2	4	4	0	A325	5/8"	1 3/4"	6"	3/8"	1'-5 1/2"

PIECE	WEB DEPTH		WEB PLATE		OUTSIDE FLANGE		INSIDE FLANGE			
	START	END	THICK	LENGTH	W	T	LEN	W	T	LEN
RF2-1	9.4	9.4	0.134	108.2	6x5/16"	x133.6	6x5/16"	x120.2		
	9.4	9.4	0.134	12.0	6x1/4"	x 17.7				
RF2-2	10.0	10.0	0.112	120.0	5x1/4"	x233.6	5x1/4"	x234.0		
	10.0	10.0	0.112	120.0	5x1/4"	x 70.6	5x1/4"	x 70.1		
RF2-3	9.4	9.4	0.188	14.2	6x1/4"	x 12.7	6x5/16"	x132.9		
	9.4	9.4	0.134	12.9	6x5/16"	x147.1				
	9.4	9.4	0.134	120.0						

**RED DOT**  
BUILDING SYSTEMS

P.O. BOX 1240  
ATHENS, TEXAS 75751  
(903) 675-9181  
(800) 657-2234

WWW.REDDOTBUILDINGS.COM

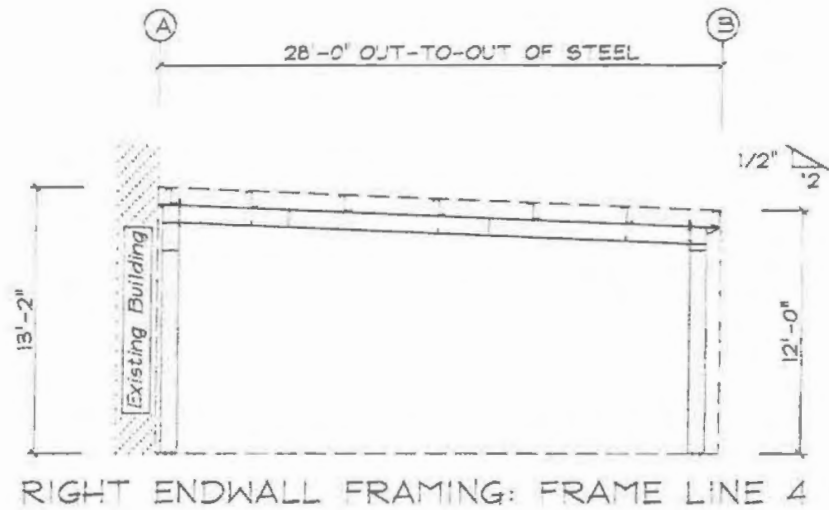
"Dedicated to providing metal building systems of superior quality and value"

THIS DRAWING AND ITS CONTENTS ARE THE PROPERTY OF RED DOT BUILDING SYSTEMS AND ARE CONSIDERED CONFIDENTIAL. THEY MAY NOT BE COPIED OR REPRODUCED WITHOUT EXPRESSED WRITTEN CONSENT OF RED DOT BUILDING SYSTEMS.

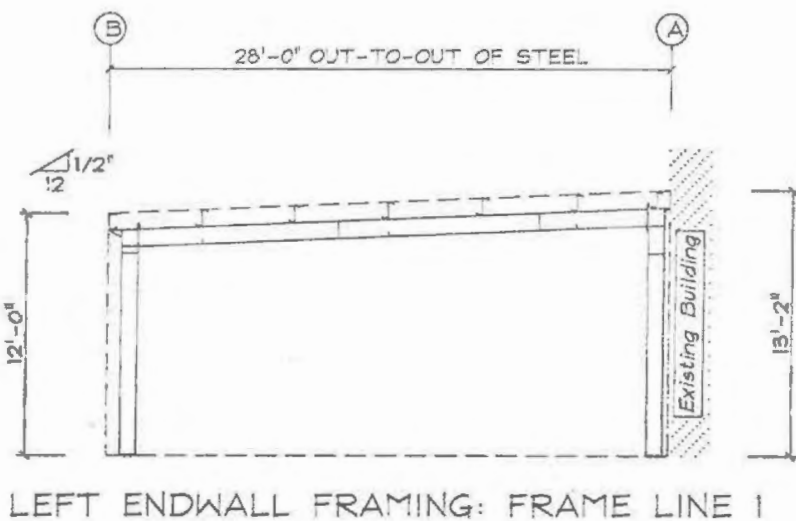
GENERAL NOTES:

1) All clouded dimensions are assumed verified unless noted otherwise by customer.

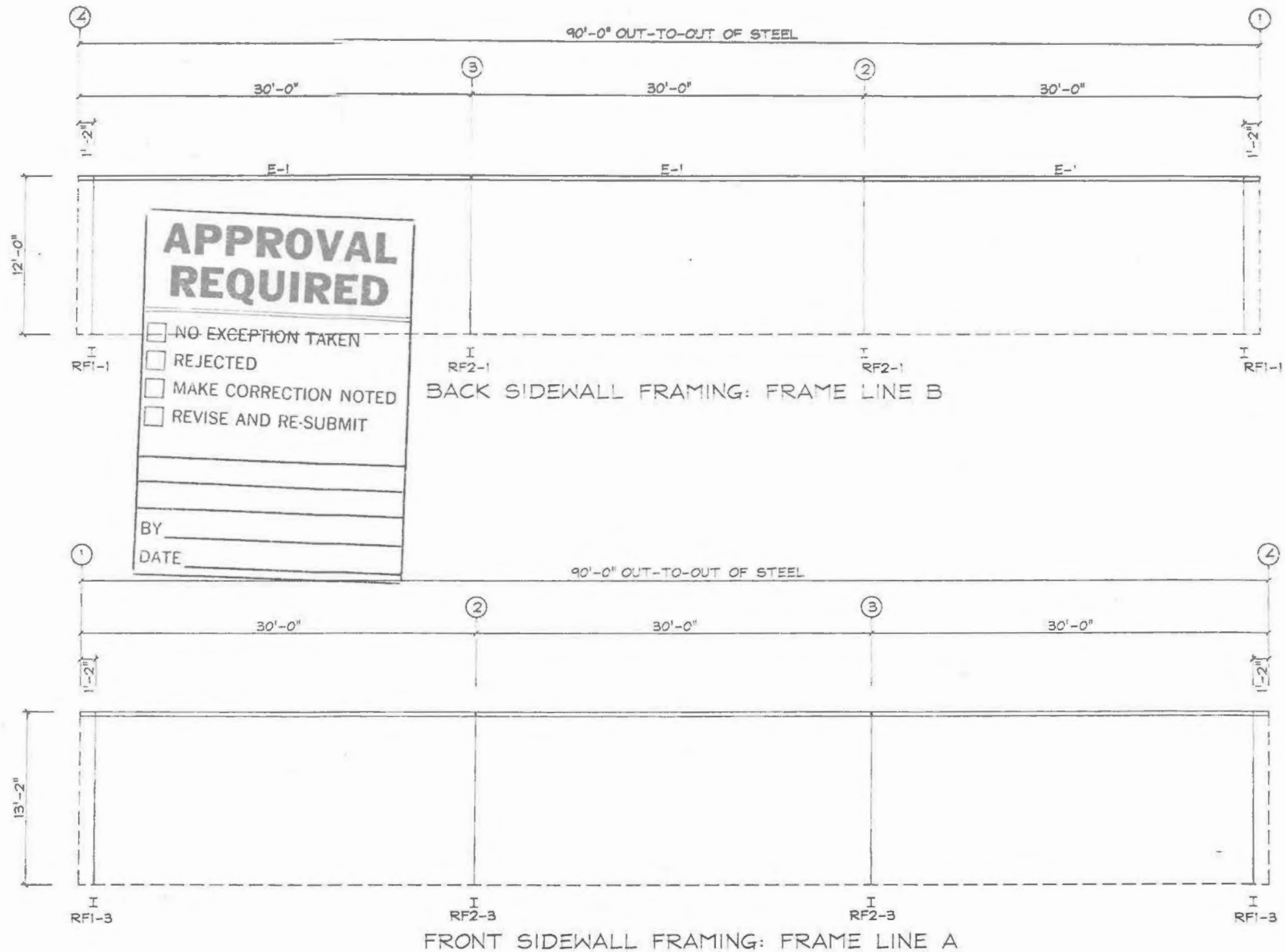
ISSUE	DESCRIPTION	DATE	CUSTOMER	THIS SEAL PERTAINS ONLY TO THE MATERIALS DESIGNED AND SUPPLIED BY RED DOT BUILDING SYSTEMS. THIS SEAL DOES NOT SERVE AS OR REPRESENT THE PROJECT ENGINEER OF RECORD AND SHALL NOT BE CONSTRUED AS SUCH.
P	Permit	6/21/07	Helping Hands of Rockwall Co.	
A	Approval	6/21/07	Rockwall, Tx.	
			DRAWING TITLE: ERECTION DRAWING	JOB NUMBER: 07258
			BUILDING DESCRIPTION: 28' x 90' x 13'-2" H.S. E.H. 1/2:1/2	SHEET NUMBER: E2 of 5
DRAWN BY:	DATE:	DESIGNER:	SALESMAN:	
MSY	6/19/07	DJC	KMc	
CHECKED BY:	DATE:	SCALE:	ISSUE:	
MJF	6/21	NONE	P,A	



RIGHT ENDWALL FRAMING: FRAME LINE 4



LEFT ENDWALL FRAMING: FRAME LINE 1



FRONT SIDEWALL FRAMING: FRAME LINE A

**APPROVAL REQUIRED**

NO EXCEPTION TAKEN

REJECTED

MAKE CORRECTION NOTED

REVISE AND RE-SUBMIT

BY \_\_\_\_\_

DATE \_\_\_\_\_

**RED DOT**  
BUILDING SYSTEMS

P.O. BOX 1240  
ATHENS, TEXAS 75751  
(903) 675-9181  
(800) 657-2234  
WWW.REDDOTBUILDINGS.COM

"Dedicated to providing metal building systems of superior quality and value".

THIS DRAWING AND ITS CONTENTS ARE THE PROPERTY OF RED DOT BUILDING SYSTEMS AND ARE CONSIDERED CONFIDENTIAL. THEY MAY NOT BE COPIED OR REPRODUCED WITHOUT EXPRESSED WRITTEN CONSENT OF RED DOT BUILDING SYSTEMS.

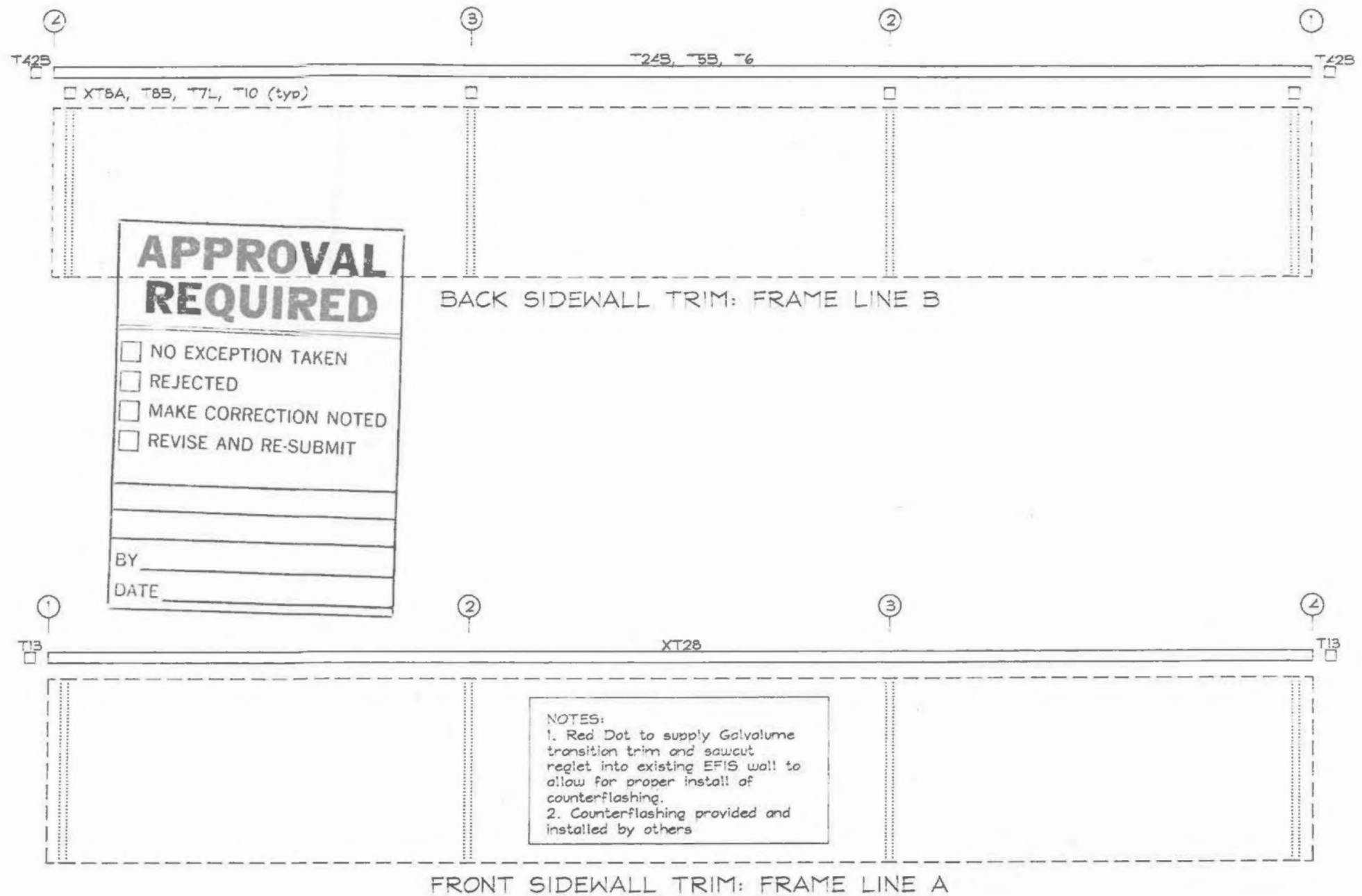
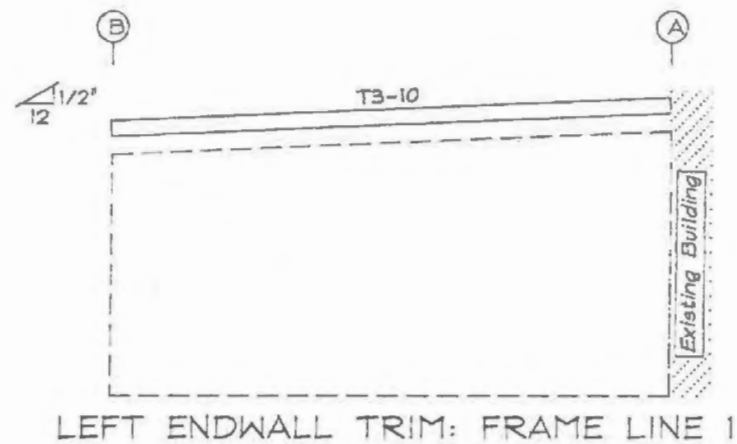
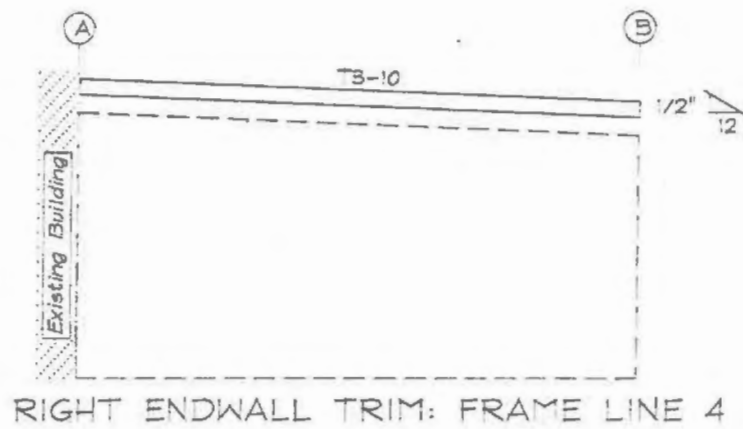
**GENERAL NOTES:**  
1) All clouded dimensions are assumed verified unless noted otherwise by customer.

ISSUE	DESCRIPTION	DATE
P	Permit	6/21/07
A	Approval	6/21/07

<b>CUSTOMER:</b> Helping Hands of Rockwall Co.			
<b>LOCATION:</b> Rockwall, Tx.			
<b>DRAWING TITLE:</b> ERECTION DRAWING			
<b>BUILDING DESCRIPTION:</b> 28' x 90' x 13'-2" H.S. E.H. 1/2:12			
<b>DRAWN BY:</b> MSY	<b>DATE:</b> 6/19/07	<b>DESIGNER:</b> DJC	<b>SALESMAN:</b> KMc
<b>CHECKED BY:</b> MJF	<b>DATE:</b> 6/21	<b>SCALE:</b> NONE	<b>ISSUE:</b> P,A

<b>JOB NUMBER:</b> 07258	
<b>SHEET NUMBER:</b> E3 of 5	

*Will Stanal*  
6/21/07



**RED DOT**  
 BUILDING SYSTEMS

P.O. BOX 1240  
 ATHENS, TEXAS 75751  
 (903) 675-9181  
 (800) 657-2234  
 WWW.REDDOTBUILDINGS.COM

"Dedicated to providing metal building systems of superior quality and value".

THIS DRAWING AND ITS CONTENTS ARE THE PROPERTY OF RED DOT BUILDING SYSTEMS AND ARE CONSIDERED CONFIDENTIAL. THEY MAY NOT BE COPIED OR REPRODUCED WITHOUT EXPRESSED WRITTEN CONSENT OF RED DOT BUILDING SYSTEMS.

**GENERAL NOTES:**

1) All clouded dimensions are assumed verified unless noted otherwise by customer.

ISSUE:	DESCRIPTION:	DATE:	CUSTOMER:
P	Permit	6/21/07	Helping Hands of Rockwall Co.
A	Approval	6/21/07	LOCATION: Rockwall, Tx.
			DRAWING TITLE: ERECTION DRAWING
			BUILDING DESCRIPTION: 28' x 90' x 13'-2" H.S. E.H. 1/2:12
			DRAWN BY: DATE: DESIGNER: SALESMAN: MSY 6/19/07 DJC KMc
			CHECKED BY: DATE: SCALE: ISSUE: MJF 6/21 NONE P,A

THIS SEAL PERTAINS ONLY TO THE MATERIALS DESIGNED AND SUPPLIED BY RED DOT BUILDING SYSTEMS. THIS SEAL DOES NOT SERVE AS OR REPRESENT THE PROJECT ENGINEER OF RECORD AND SHALL NOT BE CONSTRUED AS SUCH.

JOB NUMBER:  
07258

SHEET NUMBER:  
E4 of 5

*William Howard*  
6/21/07