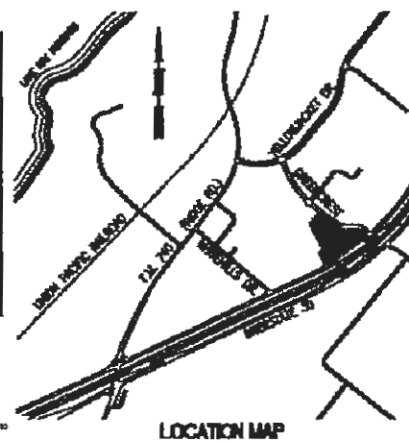


NOTE:  
UNDERGROUND UTILITIES SHOWN HEREIN ARE BASED ON A COMBINATION OF FIELD SURVEY DATA, AVAILABLE UTILITY MAPS AND MARKED LOCATION BY THE UTILITY OWNERS. PRIOR TO ANY CONSTRUCTION, THESE UTILITIES SHOULD BE VERIFIED BY AUTHORIZED EXPOSURE AND SURVEY MEASUREMENTS WHERE PRECISE ELEVATION OR LOCATION ARE CRITICAL.

LEGEND

○	SSMH	SANITARY SEWER MANHOLE
○	CO	SANITARY SEWER CLEANOUT
○	WV	WATER VALVE
○	FH	FIRE HYDRANT
○	WM	WATER METER
○	LP	LIGHT POLE
○	P/P	POWER POLE
—	GUY	GUY WIRE
—	—	WATER LINE
—	—	OVER HEAD ELECTRIC LINE



ANGLE = 07°11'41"  
RADIUS = 1563.00'  
LENGTH = 196.27'  
TANGENT = 98.26'  
CHORD = 196.14'  
BRG. = S 54°31'53" E

ANGLE = 24°00'00"  
RADIUS = 485.00'  
LENGTH = 203.16'  
TANGENT = 103.09'  
CHORD = 201.67'  
BRG. = S 70°07'44" E

ANGLE = 24°40'10"  
RADIUS = 419.07'  
LENGTH = 180.44'  
TANGENT = 91.64'  
CHORD = 179.05'  
BRG. = S 69°47'38" E

POINT OF BEGINNING FOR FIELD NOTES

**WELLS FARGO**

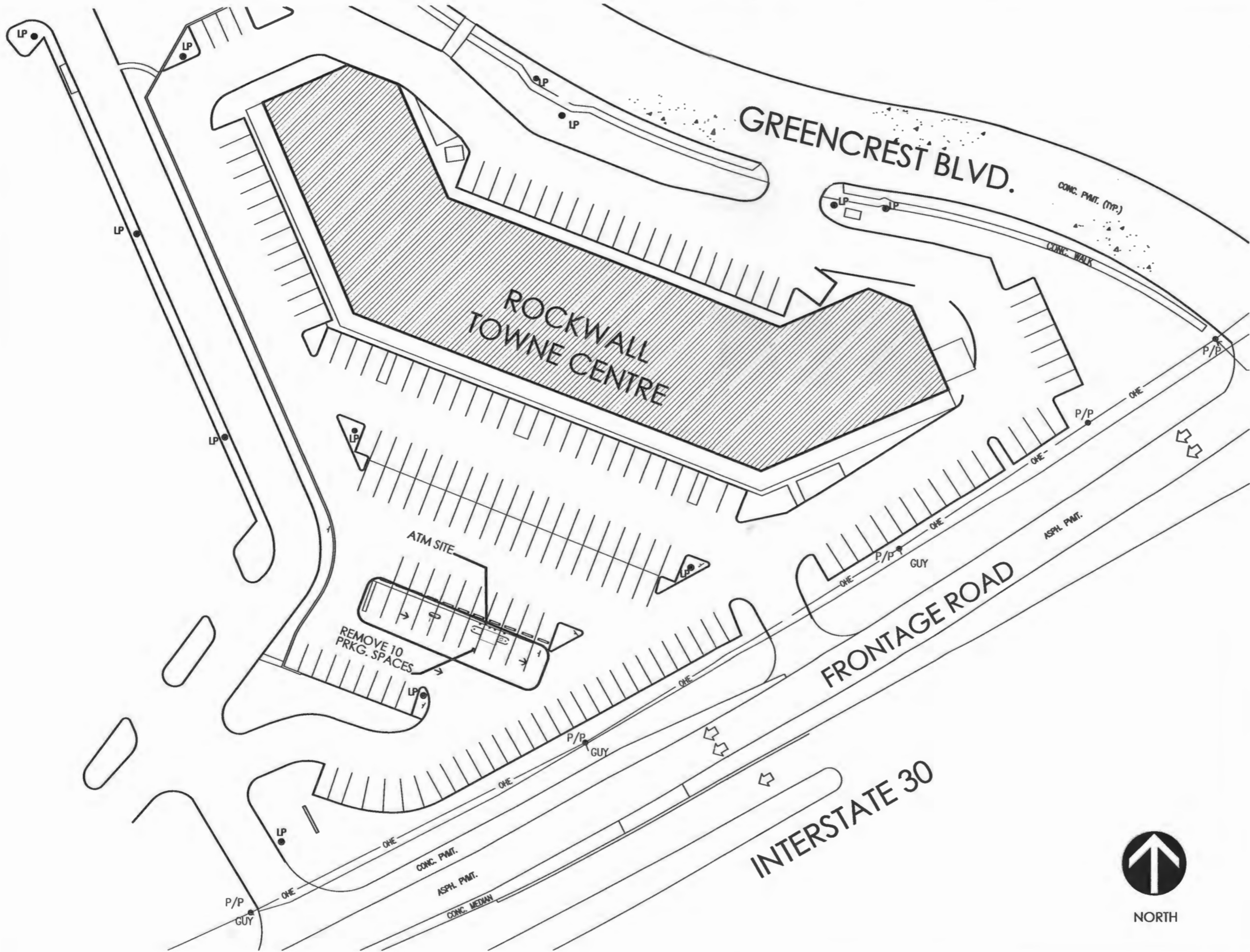
**ROCKWALL**  
DRIVE-UP ATM ISLAND  
& CANOPY

2303 GREENCREST  
ROCKWALL, TX 75087

FOR REFERENCE ONLY

EXISTING SITE PLAN

SP1



**ROCKWALL  
DRIVE-UP ATM ISLAND  
& CANOPY**

2303 GREENCREST  
ROCKWALL, TX 75087

FOR REFERENCE ONLY

SITE PLAN

SP2



Z PROJECTS, LLC  
 8701 BEDFORD-EULESS ROAD  
 SUITE 550  
 HURST, TX 76053  
 817.589.1900  
 www.ZPROJECTS.com



**ROCKWALL  
 DRIVE-UP ATM ISLAND  
 & CANOPY**

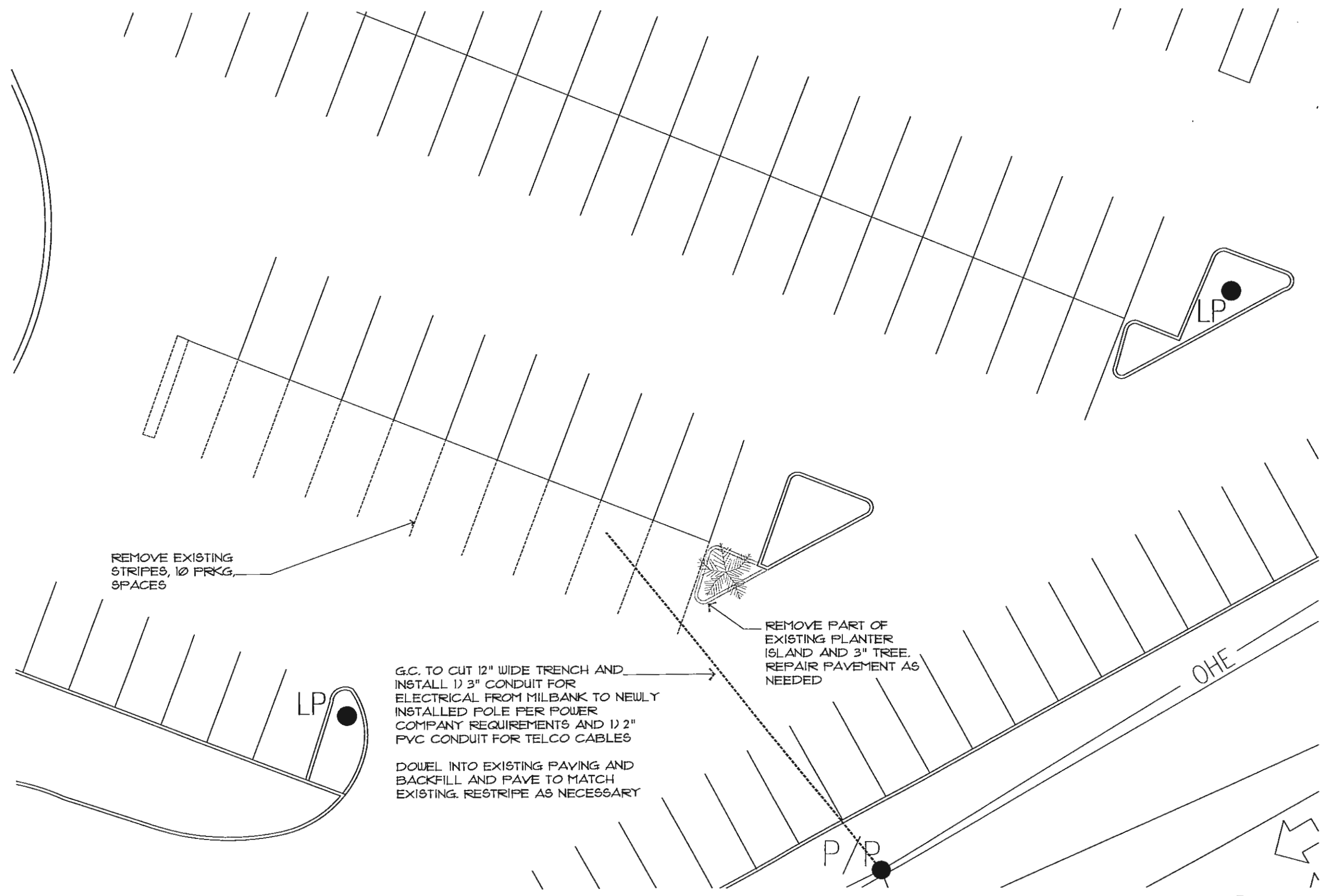
2303 GREENCREST  
 ROCKWALL, TX 75087

THE DRAWINGS AND WRITTEN MATERIAL HEREIN  
 CONSTITUTE ORIGINAL WORK OF THE  
 ARCHITECT, AND AS INTELLECTUAL PROPERTY  
 AND INSTRUMENTS OF SERVICE, ARE SUBJECT TO  
 COPYRIGHT AND MAY NOT BE REPRODUCED,  
 DISTRIBUTED, PUBLISHED OR USED IN ANY WAY  
 WITHOUT THE EXPRESS WRITTEN CONSENT OF THE  
 ARCHITECT.

DATE: 04.04. 2007  
 PROJECT #: 2543  
 DRAWN: SB  
 ISSUED: NOT FOR CONSTRUCTION

ARCHITECTURAL  
 DEMOLITION PLAN

ADI



1 DEMOLITION PLAN  
 SCALE 1/16" = 1' - 0"





Z PROJECTS, LLC  
 8701 BEDFORD-EULESS ROAD  
 SUITE 550  
 HURST, TX 76053  
 817.589.1900  
 www.ZPROJECTS.com



**ROCKWALL  
 DRIVE-UP ATM ISLAND  
 & CANOPY**

2303 GREENCREST  
 ROCKWALL, TX 75087

THE DRAWINGS AND WRITTEN MATERIAL HEREIN  
 CONSTITUTE ORIGINAL WORK OF THE  
 ARCHITECT, AND AS INTELLECTUAL PROPERTY  
 AND INSTRUMENTS OF SERVICE, ARE SUBJECT TO  
 COPYRIGHT AND MAY NOT BE REPRODUCED,  
 DISTRIBUTED, PUBLISHED OR USED IN ANY WAY  
 WITHOUT THE EXPRESS WRITTEN CONSENT OF THE  
 ARCHITECT.

DATE: 04.04. 2007

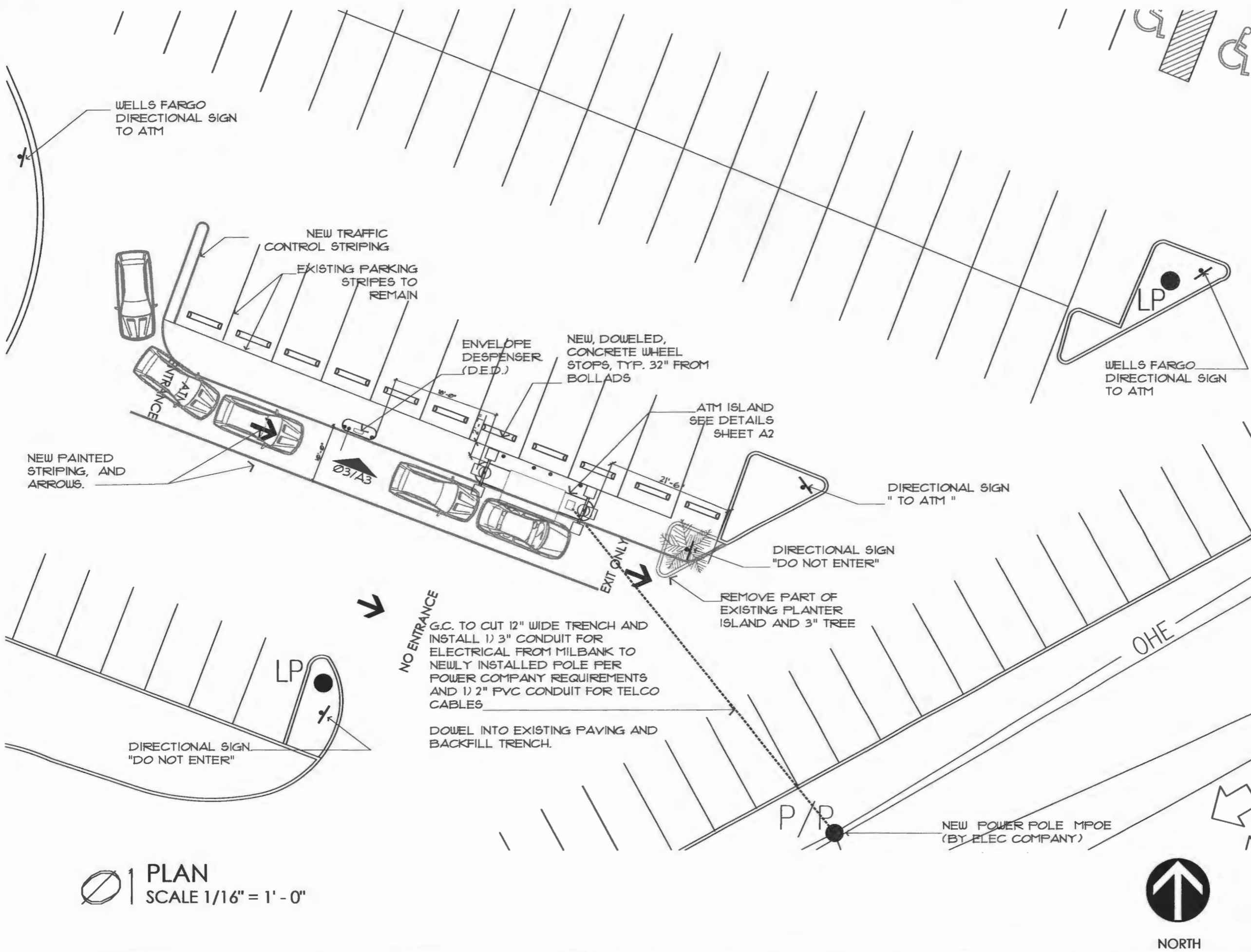
PROJECT #: 2543

DRAWN: SB

ISSUED: NOT FOR CONSTRUCTION

ARCHITECTURAL  
 SITE PLAN

A1



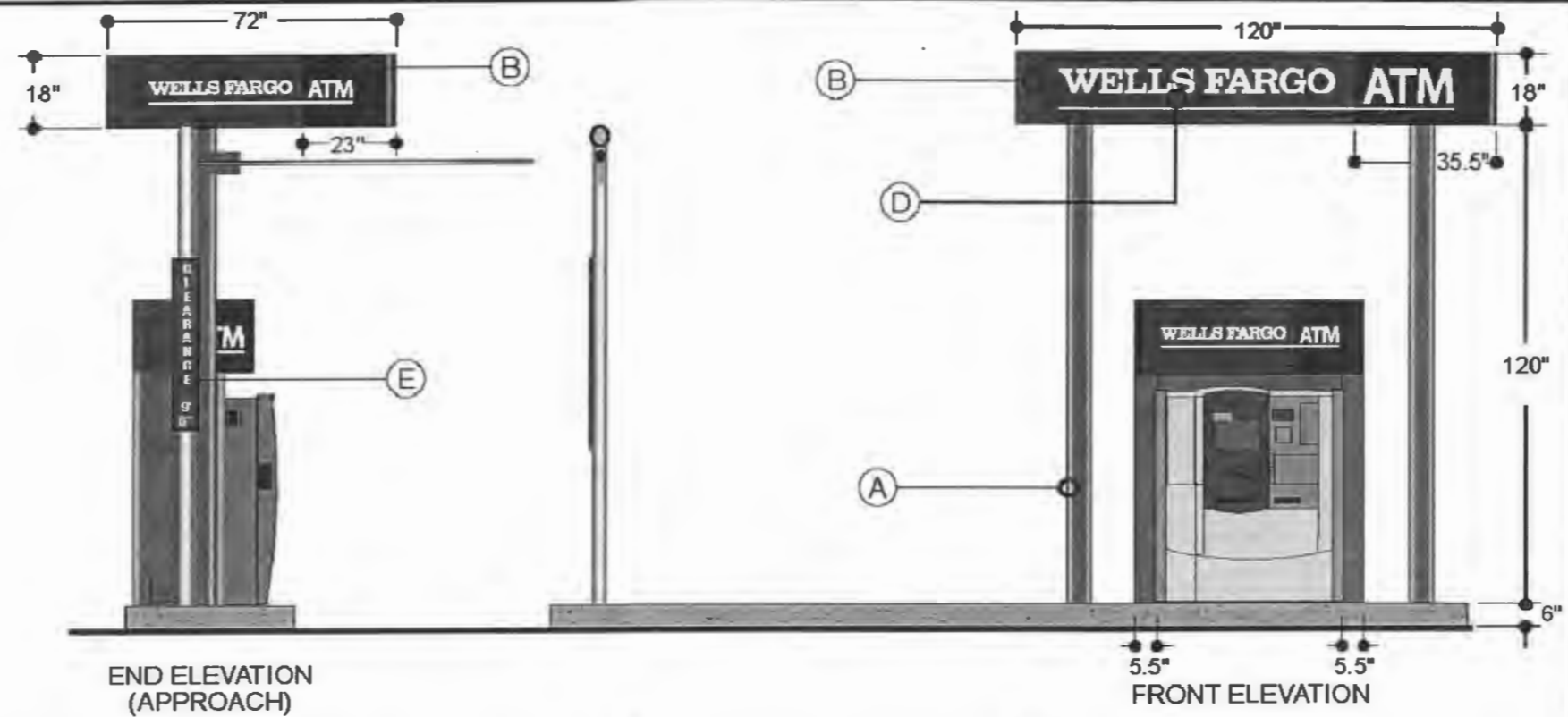
PLAN  
 SCALE 1/16" = 1'-0"





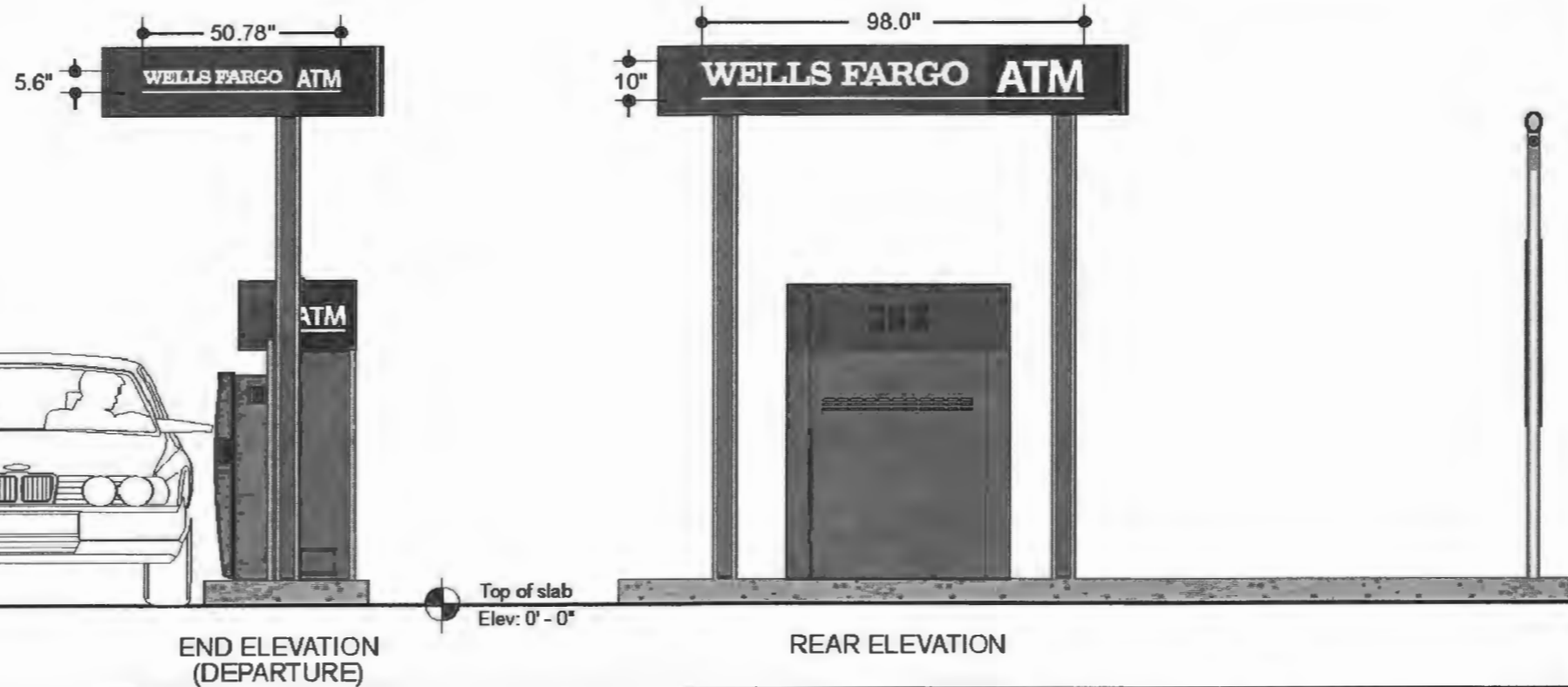
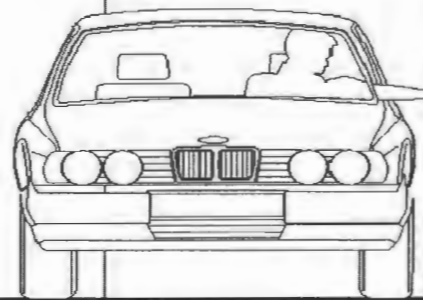
Paint & Graphics Detail

- (A) Building Paint**  
Color: Wells Fargo "Beige Poly"  
Finish: Automotive Smooth
  - (B) Upper Band Paint**  
Color: Wells Fargo "Red"  
Finish: Automotive Smooth
  - (C) Sign Box Paint**  
Color: Wells Fargo "Black"  
Finish: Automotive Smooth
  - (D) Backlit Sign**  
3M Scotchlcal vinyl applied to white plex.  
"Wells Fargo" Copy & Stripe  
Color: PMS 123 Yellow  
Material: 3M #3630-25 Sunflower
  - (E) Vinyl Decal**  
3M Scotchlcal vinyl applied to painted metal surface of unit  
(1st Surface Application)
- \*ATM\* Copy  
Color: PMS 123 Yellow  
Material: 3M #3630-10 White
- \*Clearance 9'6" \* Copy  
Color: White  
Material: 3M #3630-10 White



Product Specs & Options

- ISLANDER CANOPY**
- Canopy
    - Walk up     Drive up
  - Columns
    - Two     Four
  - Wall Mounted
  - Downlighting
    - Front     Rear     Left     Right
  - Backlighting
    - Front     Rear     Left     Right
- OPTIONS**
- AHD
  - Electric Room
  - Envelope Dispenser
  - Waste Receptacle
  - Bumper Guards
  - POS Panel
  - Networks Panel
  - Bollard Posts
  - Vehicle Height Detector



**IMPORTANT**

The drawings, designs and information contained herein are the sole property of Couvrette Building Systems and as such may not be reproduced or published in whole or in part, for any use whatsoever, without the express written consent of Couvrette Building Systems. Information provided is for paint and graphics purpose only, and should not be used for dimensional accuracy.

**WELLS FARGO**

Product: 6' x 10' Islander Canopy,  
10' Clearance, VHD, 750 ATM



565 Electric Road • Salem, Virginia 24153  
TEL (540) 375-2608 • FAX (540) 375-2638  
www.couvrette.com • products@couvrette.com

**87-13627**

Date: 11/1/2005    Sheet 1 of 1    Rev. #: 1.0  
Approved By: \_\_\_\_\_    Drawn By: Kim N.

**WELLS FARGO**

**ROCKWALL**  
DRIVE-UP ATM ISLAND  
& CANOPY

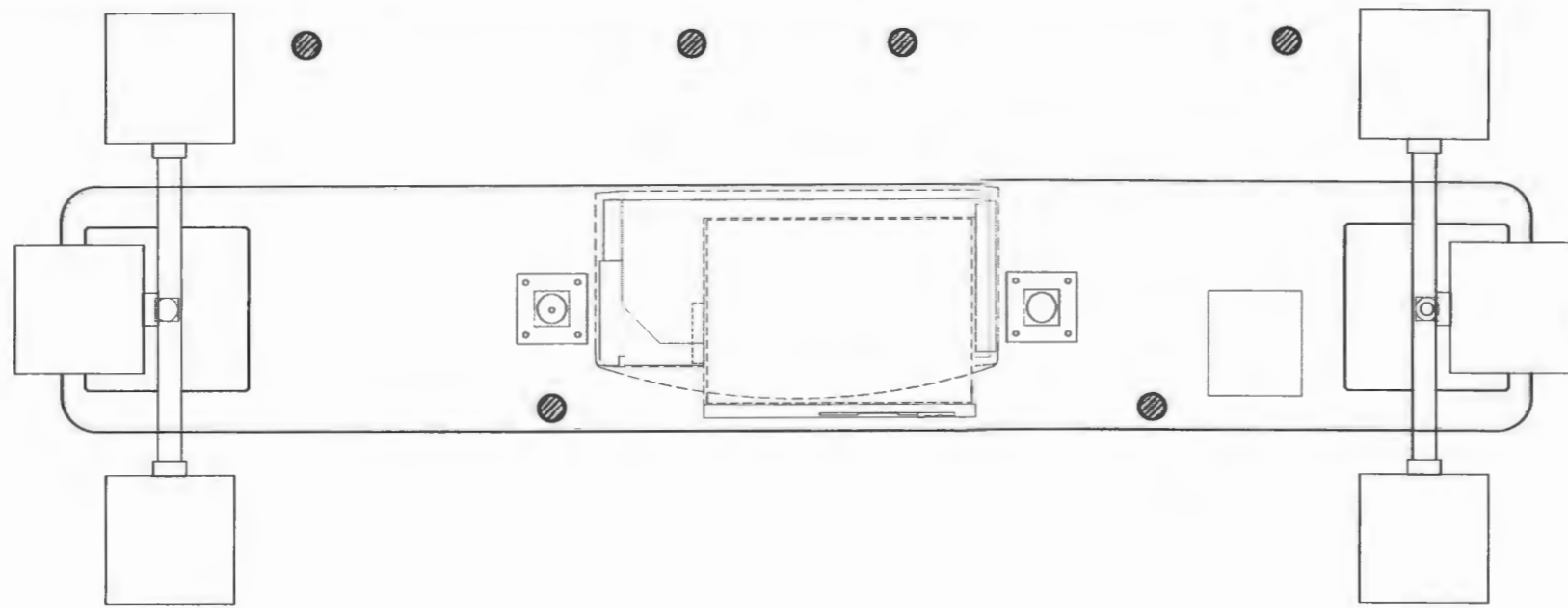
2303 GREENCREST  
ROCKWALL, TX 75087

FOR REFERENCE ONLY

COUVRETTE BUILDING  
SYSTEMS

ATM  
CANOPY

G#1.0



1 PLAN  
SCALE 3/8" = 1' - 0"



2 ELEVATION  
SCALE 3/8" = 1' - 0"



Z PROJECTS, LLC  
8701 BEDFORD-EULESS ROAD  
SUITE 550  
HURST, TX 76053  
817.589.1900  
www.ZPROJECTS.com



**ROCKWALL  
DRIVE-UP ATM ISLAND  
& CANOPY**

2303 GREENCREST  
ROCKWALL, TX 75087

THE DRAWINGS AND WRITTEN MATERIAL HEREIN  
CONSTITUTE ORIGINAL WORK OF THE  
ARCHITECT, AND AS INTELLECTUAL PROPERTY  
AND INSTRUMENTS OF SERVICE, ARE SUBJECT TO  
COPYRIGHT AND MAY NOT BE REPRODUCED,  
DISTRIBUTED, PUBLISHED OR USED IN ANY WAY  
WITHOUT THE EXPRESS WRITTEN CONSENT OF THE  
ARCHITECT.

DATE:  
04.04. 2007

PROJECT #:  
2543

DRAWN:  
SB

ISSUED:  
NOT FOR  
CONSTRUCTION

PLAN AND  
ELEVATION

A2.1



Z PROJECTS, LLC  
 8701 BEDFORD-EULESS ROAD  
 SUITE 550  
 HURST, TX 76053  
 817.589.1900  
 www.ZPROJECTS.com



**ROCKWALL**  
 DRIVE-UP ATM ISLAND  
 & CANOPY

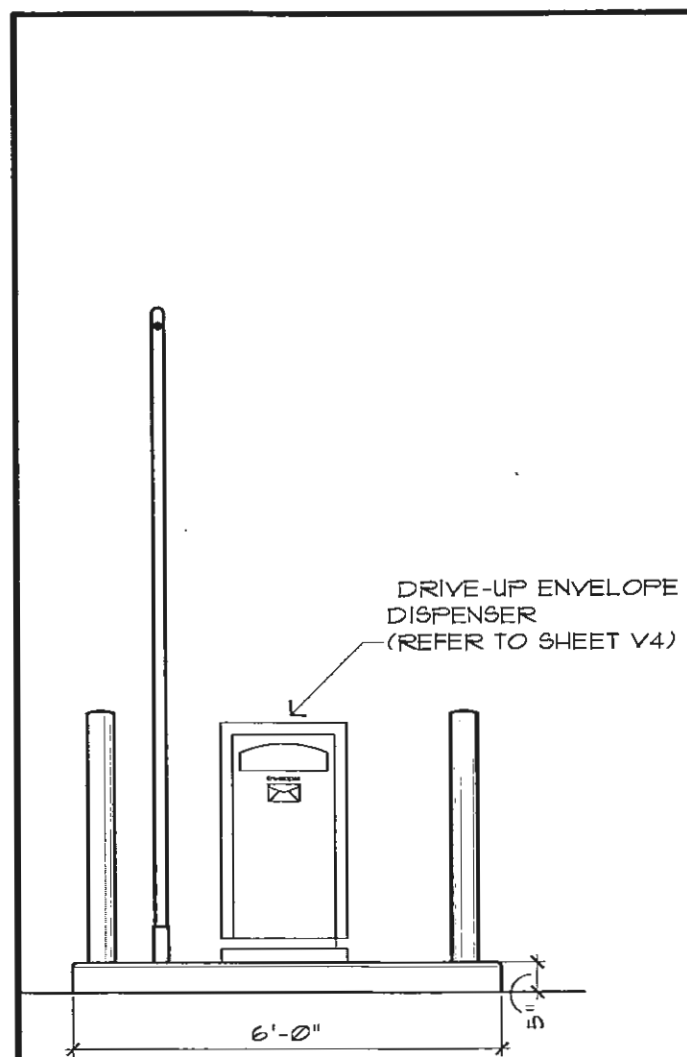
2303 GREENCREST  
 ROCKWALL, TX 75087

THE DRAWINGS AND WRITTEN MATERIAL HEREIN  
 CONSTITUTE ORIGINAL WORK OF THE  
 ARCHITECT, AND AS INTELLECTUAL PROPERTY  
 AND INSTRUMENTS OF SERVICE, ARE SUBJECT TO  
 COPYRIGHT AND MAY NOT BE REPRODUCED,  
 DISTRIBUTED, PUBLISHED OR USED IN ANY WAY  
 WITHOUT THE EXPRESS WRITTEN CONSENT OF THE  
 ARCHITECT.

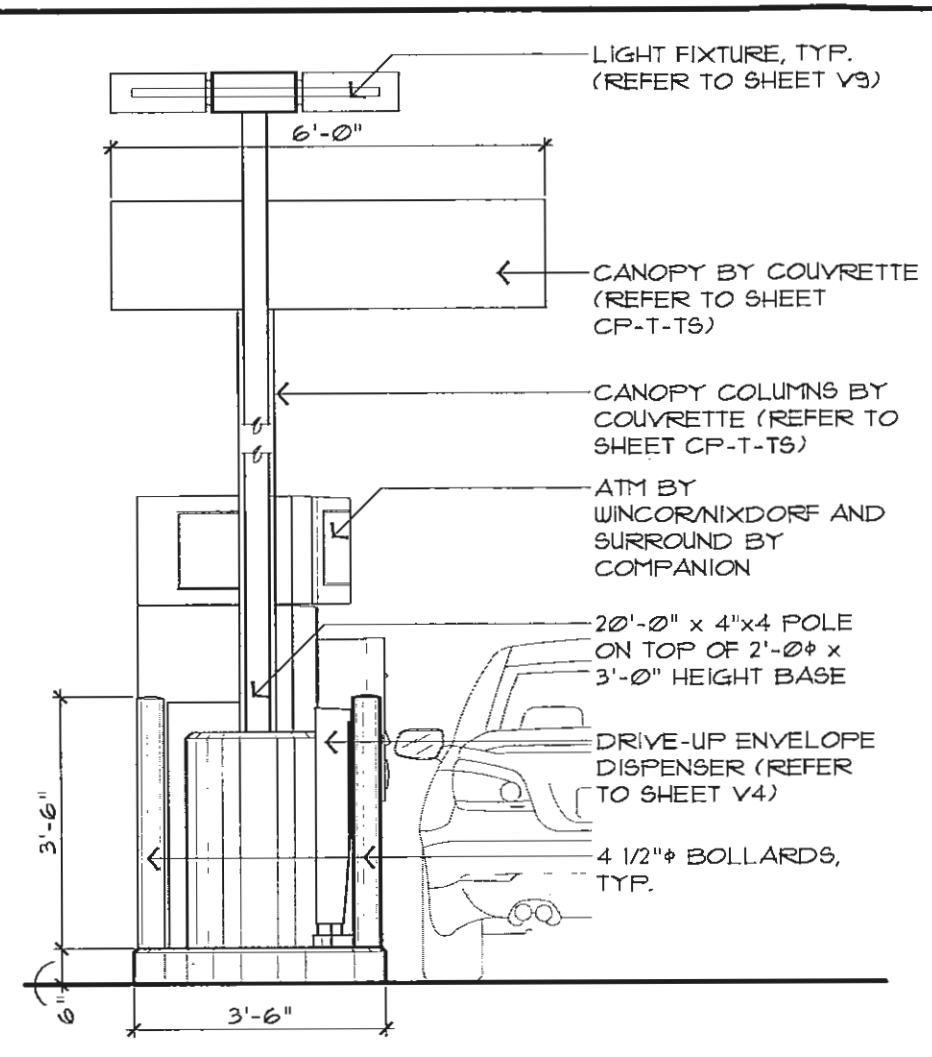
DATE: 04.04. 2007  
 PROJECT #: 2543  
 DRAWN: SB  
 ISSUED: NOT FOR CONSTRUCTION

ELEVATION, SECTION  
 AND BOLLARDS PLAN

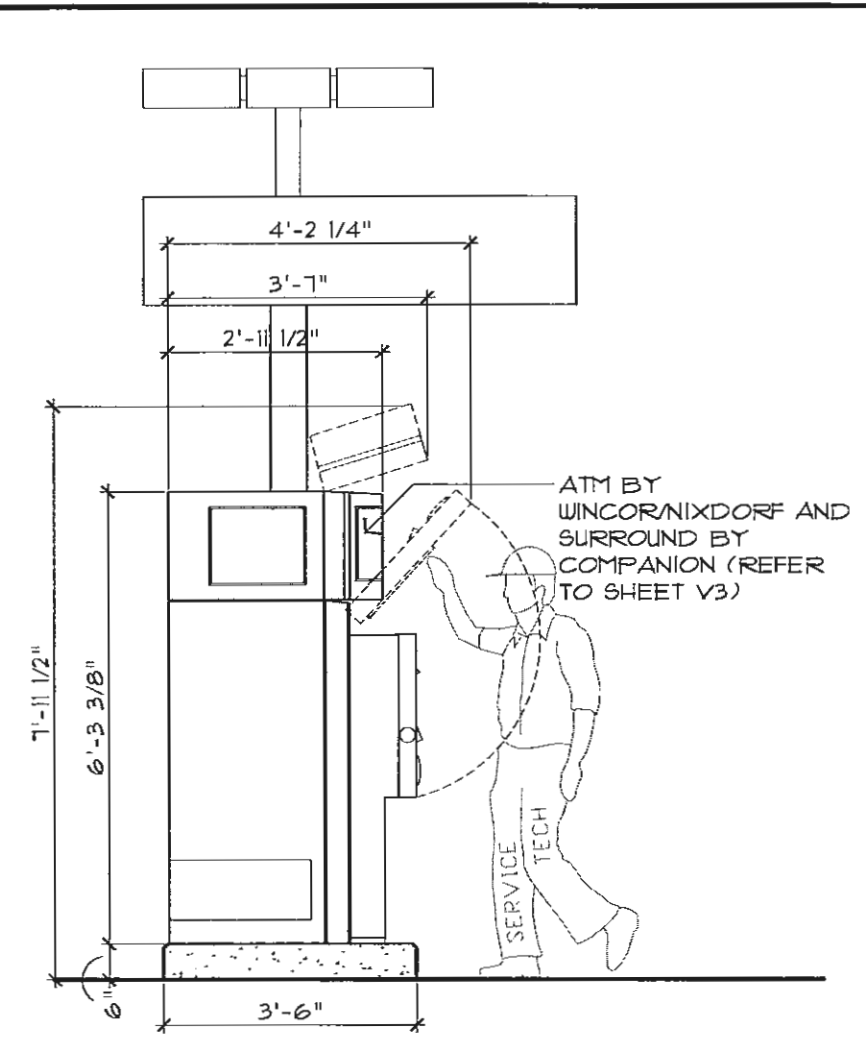
A3



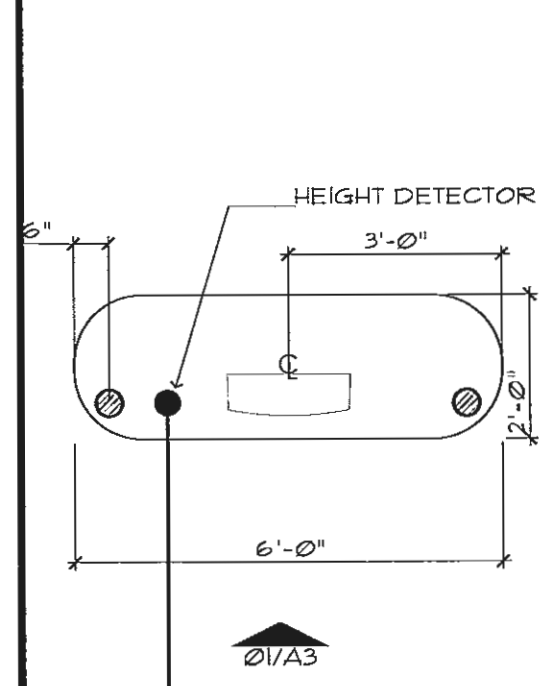
Ø1 ELEVATION  
 SCALE 3/8" = 1' - 0"



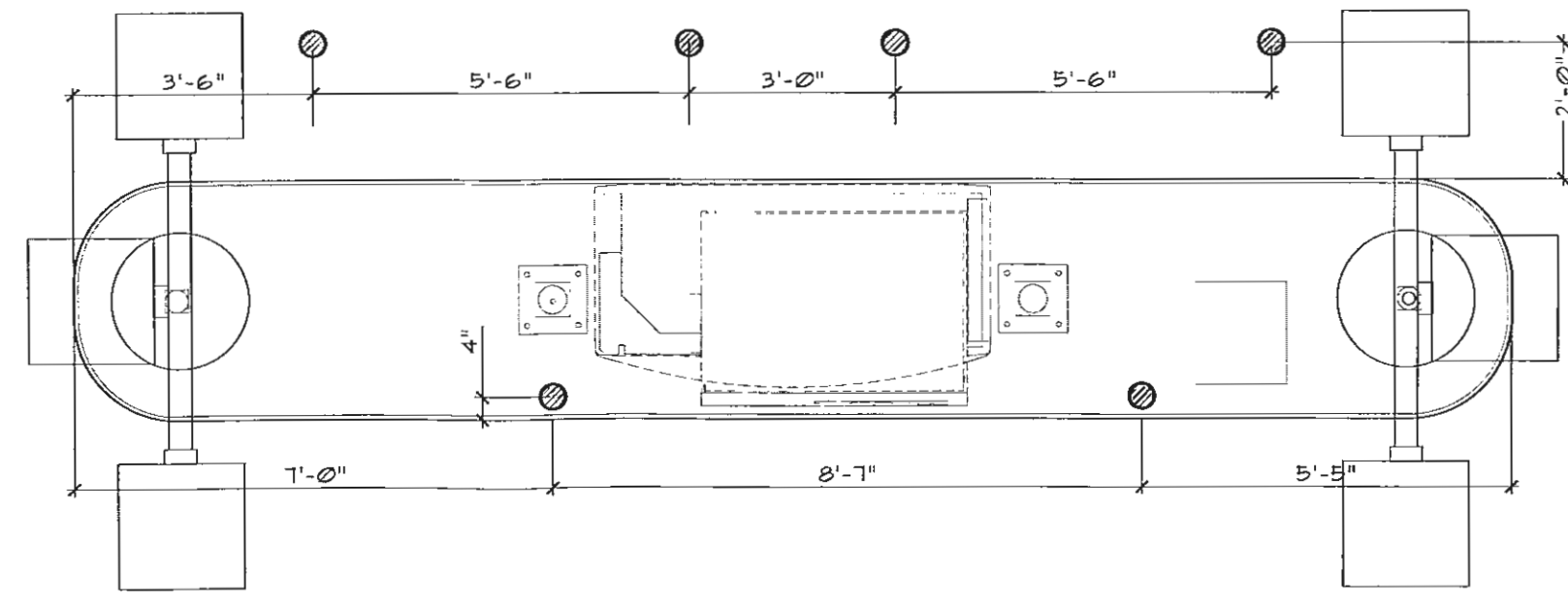
Ø2 ELEVATION  
 SCALE 3/8" = 1' - 0"



Ø3 SECTION  
 SCALE 3/8" = 1' - 0"



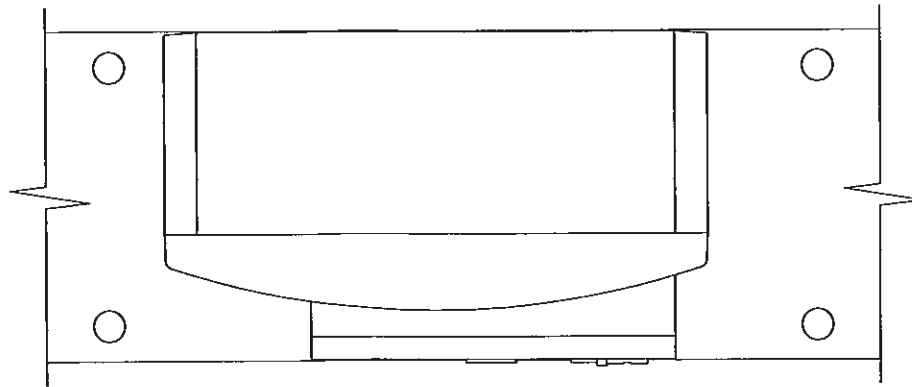
Ø4 D.E.D. PLAN  
 SCALE 3/8" = 1' - 0"



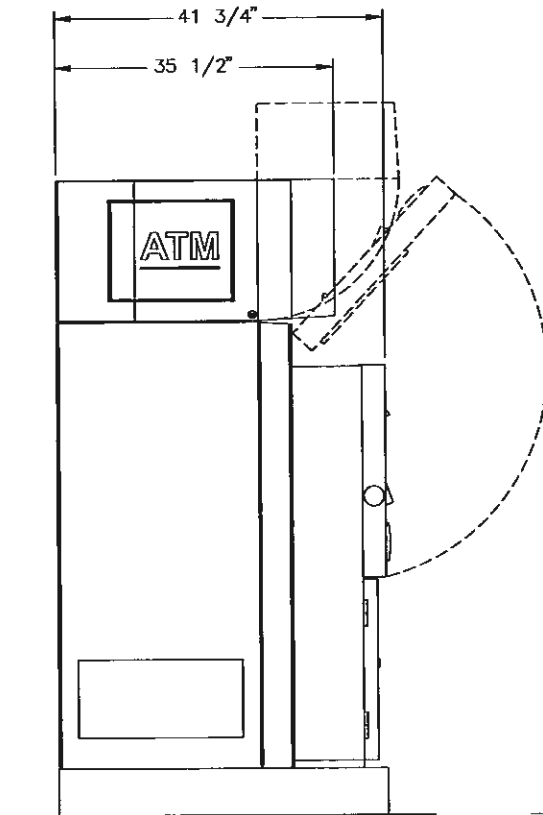
Ø5 BOLLARDS PLAN  
 SCALE 3/8" = 1' - 0"

THE INFORMATION CONTAINED IN THIS DRAWING IS THE SOLE PROPERTY OF  
 COMPANION SYSTEMS INC. ANY REPRODUCTION IN PART OR WHOLE WITHOUT  
 THE WRITTEN PERMISSION OF COMPANION SYSTEMS INC. IS PROHIBITED.

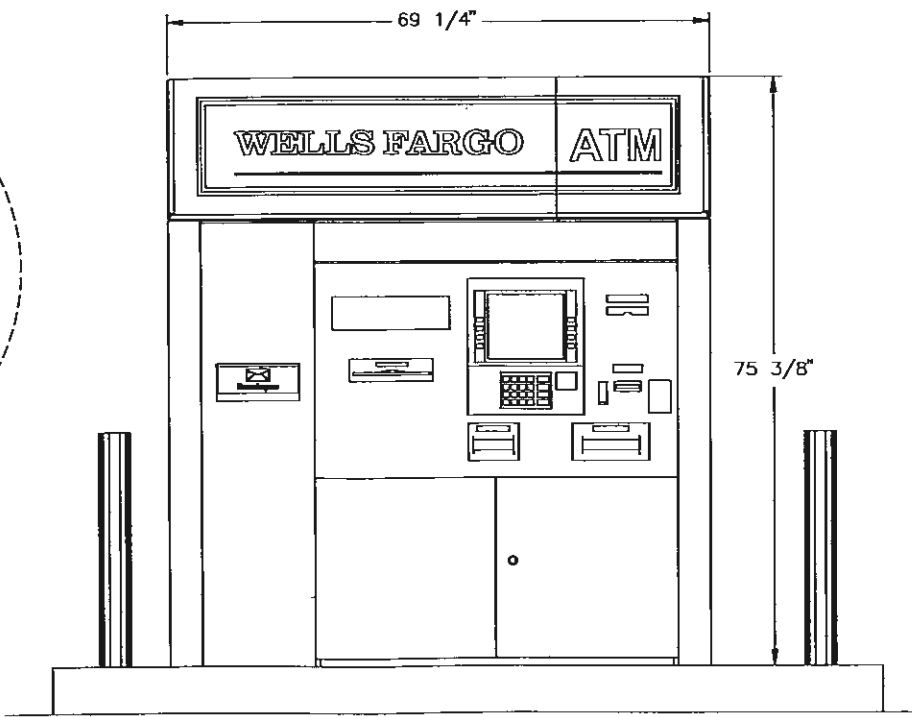
# 3830 Island Identifier w/Wincor Nixdorf 2350xe Drive-Up



PLAN VIEW



SIDE VIEW



FRONT VIEW



Title: **3830 WITH WINCOR NIXDORF 2350xe**

date: 04/18/05 scale: 1=24 drawn by: TLF

sheet level: 1 of 1 drawing number: PR 3830 014 size: A A

645 west 200 north, north salt lake, utah, 84054 phone: (801)226-8022 fax: (801)226-1022



**ROCKWALL**  
 DRIVE-UP ATM ISLAND  
 & CANOPY

2303 GREENCREST  
 ROCKWALL, TX 75087

FOR REFERENCE ONLY

**COMPANION SYSTEMS**  
 645 WEST 200 NORTH  
 NORTH SALT LAKE, UT 84054

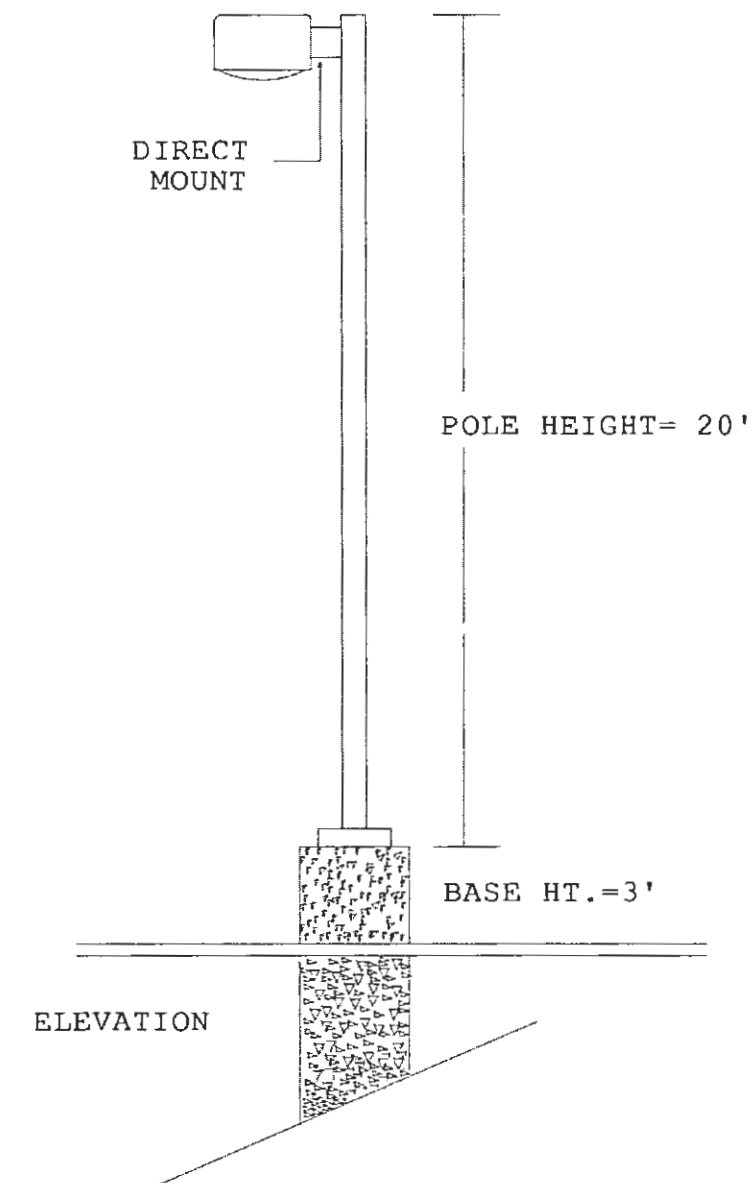
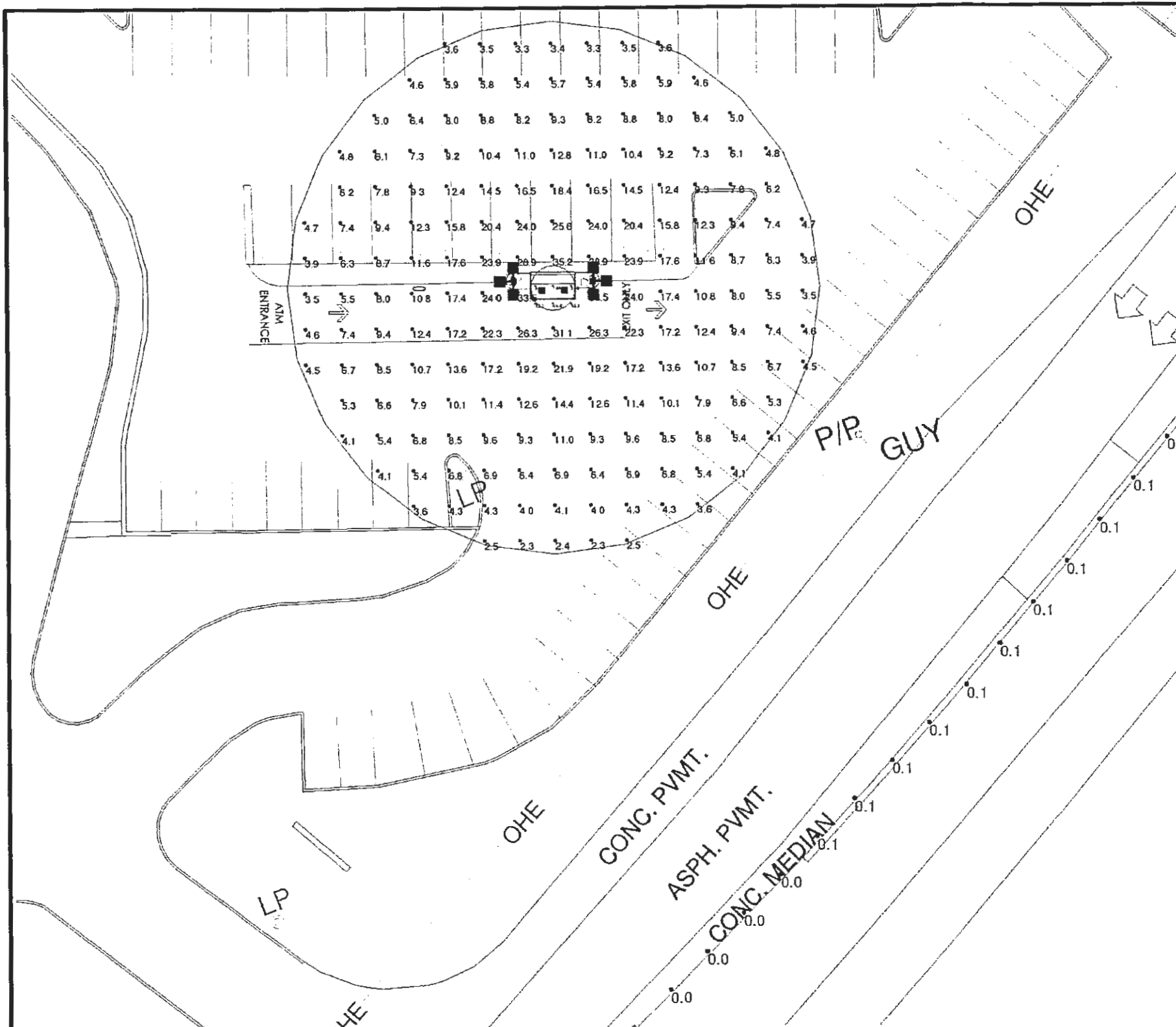
PH (877) 736-3446

www.companionystems.com

ATM SURROUND

V3





Luminaire Location Summary						
LumNo	Label	X	Y	Z	Orient	Tilt
3	M	397.5	595.5	9	270	0
4	M	402.5	595.5	9	270	0
1	VFT3	391	597.5	23	180	0
2	VFT3	409	597.5	23	0	0

Luminaire Schedule						
Symbol	Qty	Label	Arrangement	Lumens	LLF	Description
☼	2	VFT3	3 @ 90 DEGREES	41800	0.800	VFT86940-M 400W PSMH
☼	2	M	SINGLE	12600	0.650	MRC0417-1 175W MH

POLE (2) PS4S20C5BZ (20' X 4" SQ. STEEL POLE)  
 ARM (6) PM-2/22-12 (12" ARM FOR VFT3 FIXTURES)

PROPOSED POLES ARE SUITABLE FOP 110 MPH BASE WIND VELOCITIES

Website:  
[www.ruudlighting.com](http://www.ruudlighting.com)  
 Email:  
[applications@ruudlighting.com](mailto:applications@ruudlighting.com)



USA Phone: 800.236.7000  
 USA Fax: 800.236.7500  
 CAN Phone: 905.671.1991  
 CAN Fax: 905.671.3595

Illumination results shown on this lighting design are based on project parameters provided to Ruud Lighting used in conjunction with luminaire test procedures conducted under laboratory conditions. Actual project conditions differing from these design parameters may affect field results. The customer is responsible for verifying compliance with any applicable electrical, lighting, or energy code.



**ROCKWALL**  
 DRIVE-UP ATM ISLAND  
 & CANOPY

2303 GREENCREST  
 ROCKWALL, TX 75087

FOR REFERENCE ONLY

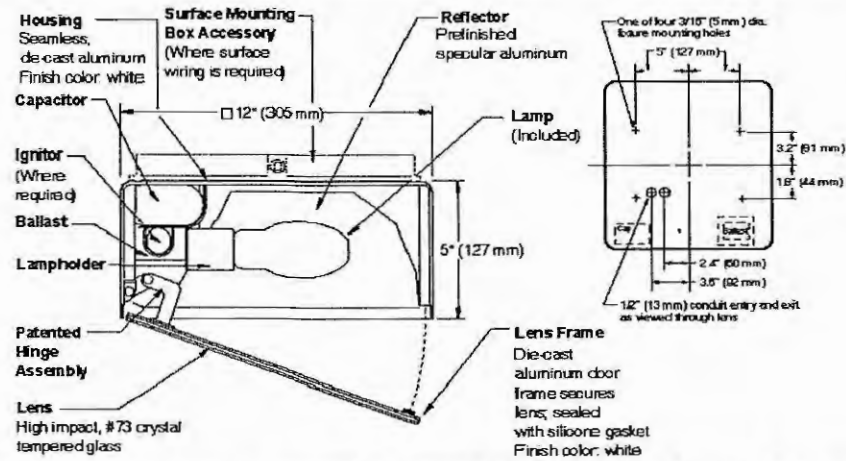
**RUUD LIGHTING**  
 9201 WASHINGTON AVE.  
 RACINE, WI 53406

PHOTOMETRIC  
 SITE PLAN



**DIRECT MOUNT**  
**12" (305 mm) CANOPY LIGHT**

**CLO-12**  
**SERIES**



Notes

SPEC #	WATTAGE	CATALOG #
<b>PULSE START METAL HALIDE</b>		
<input type="checkbox"/>	SPEC # 125W PSMH	MCL0612-(a)(b)
<input type="checkbox"/>	SPEC # 150W PSMH	MCL0615-(a)(b)
<b>METAL HALIDE</b>		
<input type="checkbox"/>	SPEC # 50W MH	MCL0405-(a)(b)
<input type="checkbox"/>	SPEC # 70W MH	MCL0407-(a)(b)
<input type="checkbox"/>	SPEC # 100W MH	MCL0410-(a)(b)
<input checked="" type="checkbox"/>	SPEC # 175W MH	MCL0417-(a)(b)
<b>HIGH PRESSURE SODIUM</b>		
<input type="checkbox"/>	SPEC # 35W HPS	MCL0503-(a)(b)
<input type="checkbox"/>	SPEC # 50W HPS	MCL0505-(a)(b)
<input type="checkbox"/>	SPEC # 70W HPS	MCL0507-(a)(b)
<input type="checkbox"/>	SPEC # 100W HPS	MCL0510-(a)(b)
<input type="checkbox"/>	SPEC # 150W HPS	MCL0515-(a)(b)
<b>FLUORESCENT</b>		
<input type="checkbox"/>	SPEC # 26W FL	MCL0226-(a)(b)

(a) VOLTAGE SUFFIX KEY
D 120V/277V (Standard: 125W PSMH; 50 - 100W MH; 50W HPS)
M 120/208/240/277V (Standard: 150W PSMH; 175W MH; 70 - 150W HPS) (50 - 100W MH)
T 120/277/347V (Canada Only) (Standard: 150W PSMH; 70 - 175W MH; 70 - 150W HPS)
1 120V (Standard: 26W FL, 35W HPS)
1 120V Reactor (50 - 150W HPS)
2 277V (26W FL)
27 277V Reactor (150W PSMH Only)
3 208V
4 240V
5 480V (175W MH; 70 - 150W HPS)
6 347V (Canada Only)

(b) OPTIONS (factory-installed)
A Acrylic Drop Prismatic Lens (1.8" [44 mm] Deep) (maximum wattage 100W)
-a)F Fusing
J Tamperproof Lens Fasteners
Q Quartz Standby (includes 100W quartz lamp) (N/A on 277V Reactor)

Specify (a) Voltage & (b) Options.

**GENERAL DESCRIPTION**

Canopy luminaire, totally enclosed. Reflector is specular aluminum. Housing is seamless, die-cast aluminum. Fixture is designed for direct mount over a recessed junction box. Provided with four 0.188" (5 mm) clearance holes and stainless-steel mounting screws with sealing washers. Two 1/2" conduit openings provided for wire supply. SB-16 Surface Box is required with 175W MH and 150W HPS units, unless mounting is to brick, concrete or metal surface. Acrylic Drop Prismatic Lens option measures 9.6" sq. x 1.8" (244 mm sq. x 44 mm). Lens assembly consists of rigid aluminum frame and high-impact, #73 crystal tempered glass.

**PATENT**

US 4,689,729

**ELECTRICAL**

Fluorescent fixture supplied with a 26W quad compact fluorescent lamp. HID fixture includes clear, medium-base lamp. Pulse-rated porcelain enclosed, 4kv-rated screw-shell-type lampholder with spring-loaded center contact. Fixtures installed in US require a minimum 90°C temperature feed wire. Fixtures installed in Canada require a minimum 150°C temperature feed wire. Lamp ignitor included where required. Ballast assemblies are high-power factor and use the following circuit types:  
 Reactor (277V PSMH)  
 150W PSMH  
 Reactor  
 120V: 35 - 150W HPS  
 HX - High Reactance  
 50 - 100W MH, 50 - 150W HPS  
 CWA - Constant Wattage Autotransformer  
 125 & 150W PSMH, 175W MH  
 Transformer  
 26W FL

**LABELS**

ANSI lamp wattage label supplied, visible during relamping. UL Listed in the US and Canada for wet locations. Enclosure classified IP65 per IEC 529 and IEC 598.

Not UL Listed for feed-thru wiring unless SB-16 Surface Box accessory is used.

**FINISH**

Exclusive DeltaGuard® finish features an E-coat epoxy primer with white ultra-durable powder topcoat, providing excellent resistance to corrosion, ultraviolet degradation and abrasion. The finish is covered by our seven-year limited warranty.

**ACCESSORIES**

FWG-12	Wire Guard
SB-16	Surface Box
TPS-1	Tamperproof Screwdriver

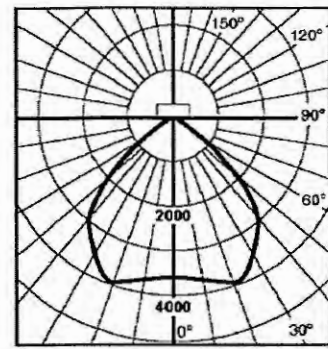
9201 Washington Avenue Racine, Wisconsin 53406-3772 USA PHONE (262) 886-1900  
 © Ruud Lighting Inc Printed in USA www.ruudlighting.com

FAX (262) 884-3309 12/11/03



**CLO-12 SERIES** **DIRECT MOUNT**  
**12" (305 mm) CANOPY LIGHT**

**Metal Halide**  
 Lamp: 175 Watt (Clear) - 14,000 lumens  
 Lens: #73 Crystal Tempered Glass  
 Test Distance: 26' (8 m)  
 Certified Test Report: Lighting Sciences Inc. No. LSI 9562



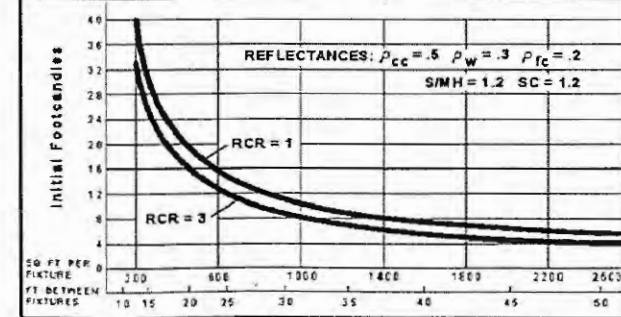
Angle	Along	Across
0	2590	2580
5	2515	2520
10	2472	2477
15	2398	2467
20	2302	2467
25	2210	2362
30	2075	2317
35	2002	2278
40	2058	2220
45	1450	2055
50	1031	1415
55	704	1024
60	515	658
65	324	463
70	259	324
75	209	223
80	152	162
85	68	71
90	0	4

Efficiency = 63.2%; SC = 1.2; S/MH = 1.2

Zone	Lumens	% Lamp	% Fixture
0-30	2292	23.5	37.2
0-40	5315	39.0	60.1
0-60	7225	56.6	89.6
0-90	8840	63.1	100.00
90-120	0.0	0.0	0.0
90-150	0.0	0.0	0.0
90-180	0.0	0.0	0.0
0-180	8841	63.2	100.00

**Coefficients of Utilization**  
 Effective Floor Cavity Reflectance = 0.20

CC	50				30				10			
	70	50	30	10	70	50	30	10	70	50	30	10
1	0.70	0.67	0.65	0.63	0.68	0.66	0.64	0.62	0.63	0.61	0.60	0.58
2	0.64	0.60	0.56	0.53	0.63	0.59	0.55	0.53	0.57	0.54	0.51	0.55
3	0.59	0.54	0.49	0.46	0.58	0.53	0.49	0.45	0.51	0.47	0.44	0.48
4	0.55	0.48	0.43	0.40	0.54	0.48	0.43	0.39	0.45	0.42	0.39	0.43
5	0.51	0.44	0.39	0.35	0.50	0.43	0.38	0.35	0.42	0.38	0.34	0.39
6	0.47	0.40	0.35	0.31	0.46	0.39	0.34	0.31	0.38	0.34	0.31	0.36
7	0.44	0.36	0.31	0.28	0.43	0.36	0.31	0.28	0.35	0.31	0.27	0.33
8	0.41	0.33	0.28	0.25	0.40	0.33	0.28	0.25	0.32	0.28	0.25	0.31
9	0.39	0.31	0.26	0.23	0.38	0.30	0.26	0.23	0.30	0.25	0.22	0.28
10	0.36	0.28	0.24	0.21	0.35	0.28	0.24	0.21	0.27	0.23	0.20	0.26



QUICK CALCULATOR: Use this chart to determine the number and spacing of Ruud 12" (305 mm) Canopy Lights with 175W MH lamp. Numbers and spacing for other wattages may be determined as follows: 50W multiply by 0.24, 70W multiply by 0.39, 100W multiply by 0.64.



9201 Washington Avenue Racine, Wisconsin 53406-3772 USA PHONE (262) 886-1900 FAX (262) 884-3309  
 © Ruud Lighting Inc. Printed in USA www.ruudlighting.com 12/11/03



**ROCKWALL**  
**DRIVE-UP ATM ISLAND**  
**& CANOPY**

2303 GREENCREST  
ROCKWALL, TX 75087

FOR REFERENCE ONLY

WINCOR/NIXDORF  
www.wincor-nixdorf.com

**CANOPY LIGHTING**  
**SPECIFICATIONS**

V6



SQUARE, INTERNAL MOUNT

VERTICAL TENONS/IN-LINE BRACKETS

SPEC #	CATALOG #	DESCRIPTION
<input type="checkbox"/>	SPEC # PB-1A3	Steel Single Tenon for 3" (76 mm) Square Pole
<input type="checkbox"/>	SPEC # PB-1A5	Steel Single Tenon for 5" (127 mm) Square Pole
<input type="checkbox"/>	SPEC # PB-1A6	Steel Single Tenon for 6" (152 mm) Square Pole
<input type="checkbox"/>	SPEC # PA-1A3	Aluminum Single Tenon for 3" (76 mm) Square Pole
<input type="checkbox"/>	SPEC # PA-1A4	Aluminum Single Tenon for 4" (102 mm) Square Aluminum or Steel Pole
<input type="checkbox"/>	SPEC # PA-1A5	Aluminum Single Tenon for 5" (127 mm) Square Pole
<input type="checkbox"/>	SPEC # PA-1A6	Aluminum Single Tenon for 6" (152 mm) Square Pole
<input type="checkbox"/>	SPEC # PB-2A3	Steel Twin Tenon for 3" (76 mm) Square Pole
<input type="checkbox"/>	SPEC # PB-2A4	Steel Twin Tenon for 4" (102 mm) Square Pole
<input type="checkbox"/>	SPEC # PB-2A5	Steel Twin Tenon for 5" (127 mm) Square Pole
<input type="checkbox"/>	SPEC # PB-2A6	Steel Twin Tenon for 6" (152 mm) Square Pole
<input type="checkbox"/>	SPEC # PA-2A4	Aluminum Twin Tenon for 4" (102 mm) Square Pole
<input type="checkbox"/>	SPEC # PA-2A5	Aluminum Twin Tenon for 5" (127 mm) Square Pole
<input type="checkbox"/>	SPEC # PA-2A6	Aluminum Twin Tenon for 6" (152 mm) Square Pole
<input type="checkbox"/>	SPEC # PB-2R2.375	Steel Twin Tenon for Round Pole (2.4" [62 mm] I.D. Base)
<input type="checkbox"/>	SPEC # PB-3R2.375	Steel Triple Tenon for Round Pole (2.4" [62 mm] I.D. Base)
<input type="checkbox"/>	SPEC # PB-3A3	Steel Triple Tenon for 3" (76 mm) Square Pole
<input checked="" type="checkbox"/>	SPEC # PB-3A4	Steel Triple Tenon for 4" (102 mm) Square Pole
<input type="checkbox"/>	SPEC # PB-3A5	Steel Triple Tenon for 5" (127 mm) Square Pole
<input type="checkbox"/>	SPEC # PB-3A6	Steel Triple Tenon for 6" (152 mm) Square Pole
<input type="checkbox"/>	SPEC # PB-4A4(90)	Steel 90° Quad Tenon for 4" (102 mm) Square Pole
<input type="checkbox"/>	SPEC # PB-4A5(90)	Steel 90° Quad Tenon for 5" (127 mm) Square Pole
<input type="checkbox"/>	SPEC # PB-4A6(90)	Steel 90° Quad Tenon for 6" (152 mm) Square Pole
<input type="checkbox"/>	SPEC # PB-4A4(180)	Steel Straight In-Line Quad Tenon for 4" (102 mm) Square Pole
<input type="checkbox"/>	SPEC # PB-4A5(180)	Steel Straight In-Line Quad Tenon for 5" (127 mm) Square Pole
<input type="checkbox"/>	SPEC # PB-4A6(180)	Steel Straight In-Line Quad Tenon for 6" (152 mm) Square Pole
<input type="checkbox"/>	SPEC # PBD-2A4	Steel Direct Arm Double In-Line Bracket for 4" (102 mm) Square Pole
<input type="checkbox"/>	SPEC # PBD-3A4	Steel Direct Arm Triple In-Line Bracket for 4" (102 mm) Square Pole

PA/PB SERIES



Notes

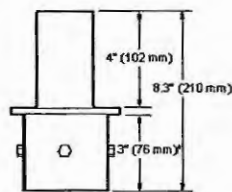
GENERAL DESCRIPTION

For use with square, non-tapered steel and aluminum poles. The square base of the PB Series steel brackets are designed to be inserted into square, non-tapered steel poles ranging in size from 3" (76 mm) to 6" (152 mm) square with a maximum wall thickness of 0.188" (5 mm). PBD Series is similar except is designed for 4" (102 mm) square poles only. All are supplied with snap-on steel end caps (except PA-2A\*, which is supplied with aluminum end caps) to enclose the wiring chamber. Furnished with four 5/16" hex head stainless-steel black oxide bolts. Vertical tenons featured on the PB Series measure 2-3/8" (60 mm) O.D., and are made of steel tubing. Fixtures mounted to these brackets can be adjusted both vertically and horizontally. PBD Series brackets include 1.5" (38 mm) long mounting arms, support rods and backing plates. The PA Series brackets are similar in design and function, but are made of extruded aluminum (except PA-1A4, which is sand-cast aluminum).

FINISH

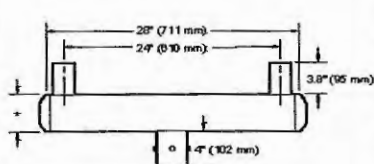
Exclusive DeltaGuard® finish features an E-coat epoxy primer with medium bronze ultra-durable powder topcoat, providing excellent resistance to corrosion, ultraviolet degradation and abrasion. The finish is covered by our seven-year limited warranty.

PA-1A, PB-1A



\*Note: Portion that extends into pole is 4" (102 mm) long on all tenons except PA-1A4 (shown)

PA-2A, PB-2A



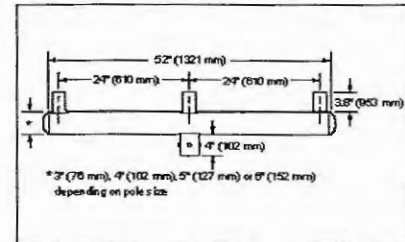
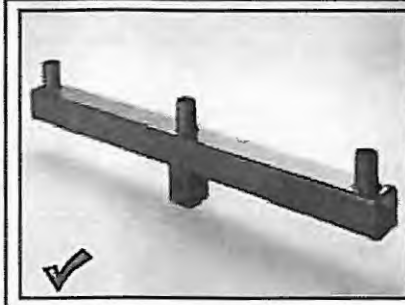
\*3" (76 mm), 4" (102 mm), 5" (127 mm) or 6" (152 mm) depending on pole size

PA/PB SERIES

SQUARE, INTERNAL MOUNT

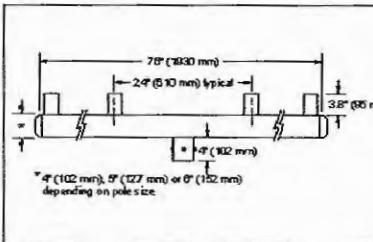
VERTICAL TENONS/IN-LINE BRACKETS

PB-3A



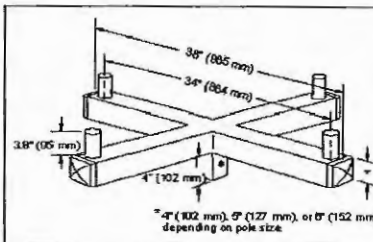
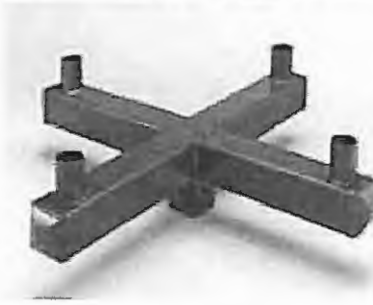
\*3" (76 mm), 4" (102 mm), 5" (127 mm) or 6" (152 mm) depending on pole size

PB-4A (180)



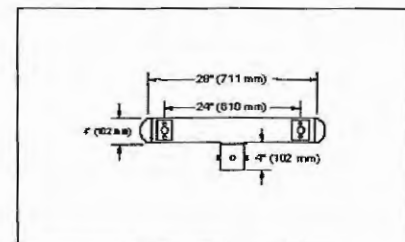
\*4" (102 mm), 5" (127 mm) or 6" (152 mm) depending on pole size

PB-4A (90)

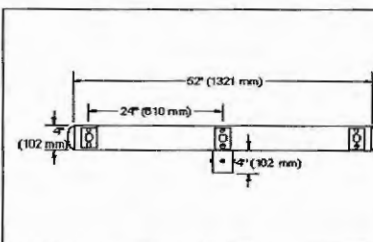


\*4" (102 mm), 5" (127 mm), or 6" (152 mm) depending on pole size

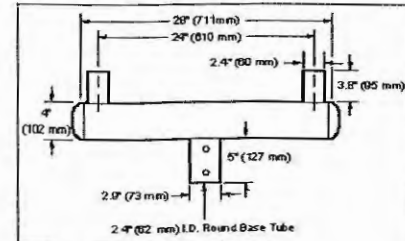
PBD-2A4



PBD-3A4

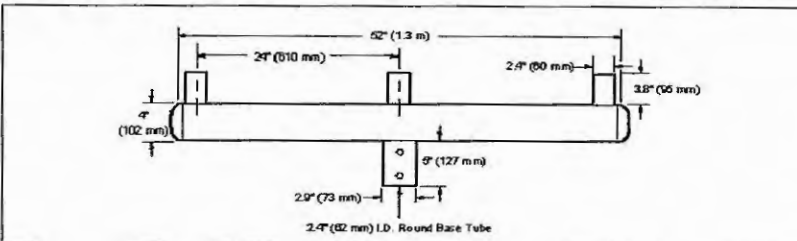


PB-2R2.375



2.4" (62 mm) I.D. Round Base Tube

PB-3R2.375



2.4" (62 mm) I.D. Round Base Tube

BASE DIMENSIONS

Size	Type	Inside Dimensions	Outside Dimensions
3" (76 mm)	Aluminum	2.0" (50 mm)	2.7" (69 mm)
3" (76 mm)	Steel	2.0" (51 mm)	2.5" (64 mm)
4" (102 mm)	Aluminum	2.8" (69 mm)	3.5" (88 mm)
4" (102 mm)	Steel	3.0" (76 mm)	3.5" (89 mm)
5" (127 mm)	Aluminum	3.7" (94 mm)	4.5" (113 mm)
5" (127 mm)	Steel	4.0" (102 mm)	4.5" (114 mm)
6" (152 mm)	Aluminum	4.7" (120 mm)	5.5" (139 mm)
6" (152 mm)	Steel	5.0" (127 mm)	5.5" (140 mm)

WELLS FARGO

ROCKWALL DRIVE-UP ATM ISLAND & CANOPY

2303 GRENCREST ROCKWALL, TX 75087

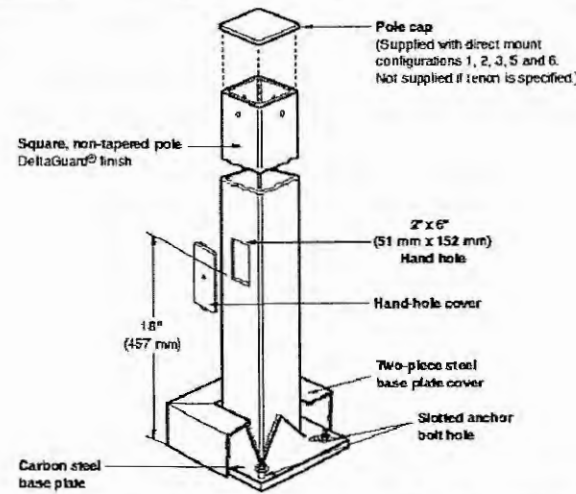
FOR REFERENCE ONLY

WINCOR/NIXDORF www.wincor-nixdorf.com

POLE LIGHTING COMPONENTS



**PREMIUM STEEL  
CROWN-WELD® POLES**



**Notes**

SPEC #	CATALOG #	POLE SIZE
<b>Square Steel Poles</b>		
		H (ft) x W (in) x Wall (in)    H (m) x W (mm) x Wall (mm)
☐	SPEC # PS3S10C(a)BZ	10 x 3 x 0.125    3.0 x 76 x 3
☐	SPEC # PS3S15C(a)BZ	15 x 3 x 0.125    4.6 x 76 x 3
☐	SPEC # PS3S20C(a)BZ	20 x 3 x 0.125    6.1 x 76 x 3
☐	SPEC # PS4S10C(a)BZ	10 x 4 x 0.125    3.0 x 102 x 3
☐	SPEC # PS4S12C(a)BZ	12 x 4 x 0.125    3.7 x 102 x 3
☐	SPEC # PS4S15C(a)BZ	15 x 4 x 0.125    4.6 x 102 x 3
☐	SPEC # PS4S17C(a)BZ	17 x 4 x 0.125    5.2 x 102 x 3
☐	SPEC # PS4S20C(a)BZ	20 x 4 x 0.125    6.1 x 102 x 3
☐	SPEC # PS4S22C(a)BZ	22 x 4 x 0.125    6.7 x 102 x 3
☐	SPEC # PS4S25C(a)BZ	25 x 4 x 0.125    7.6 x 102 x 3
☐	SPEC # PS4S25S(a)BZ	25 x 4 x 0.188    7.6 x 102 x 5
☐	SPEC # PS4S27S(a)BZ	27 x 4 x 0.188    8.2 x 102 x 5
☐	SPEC # PS4S30S(a)BZ	30 x 4 x 0.188    9.1 x 102 x 5
☐	SPEC # PS5S25S(a)BZ	25 x 5 x 0.188    7.6 x 127 x 5
☐	SPEC # PS5S30S(a)BZ	30 x 5 x 0.188    9.1 x 127 x 5
☐	SPEC # PS6S30S(a)BZ	30 x 6 x 0.188    9.1 x 152 x 5

(a) POLE CONFIGURATION	
1 ■	Single (direct mount)
2 ■■	Twin @ 180° (direct mount)
3 ■■■	Twin @ 90° (direct mount)
5 ■■■■	Triple (direct mount)
6 ■■■■	Quad (direct mount)
T	Tenon (order tenon separately)

For fixtures with fixed 20° mount, add prefix 2 to configuration numbers. i.e. 21, 22, 23, 25 and 26.

Specify (a) pole configuration.

**GENERAL DESCRIPTION**

Non-tapered steel poles are supplied with welded base with cover, four galvanized anchor bolts, masonite mounting template and a pole cap (except tenon mount). Each bolt is provided with two washers and two nuts. Steel pole base has slotted holes. Per National Electrical Code requirements, pole is standard with a 2" x 6" (51 x 152 mm) hand hole, located 18" (457 mm) above bottom of pole base. A #10-32 stainless-steel weld stud with grounding lug is located inside pole, opposite hand hole, a hand hole cover is supplied but shipped separately. For EPA ratings, see "Windloading" sheet.

**PATENT**

US 5,820,255, 6,640,517

**MATERIALS**

Square, non-tapered pole of structural steel tubing (ASTM A 500), with a minimum yield strength of 46,000 p.s.i. Welded to a formed carbon steel base plate with a minimum yield strength of 36,000 p.s.i.

**FINISH**

Exclusive Colorfast DeltaGuard™ finish features an E-coat epoxy primer with medium bronze ultra-durable powder topcoat, providing excellent resistance to corrosion, ultraviolet degradation and abrasion. The finish is covered by our seven-year limited warranty.

**TUBING**

Ruud Lighting square poles meet or exceed National Electrical Code Requirements. In the US, Ruud square poles are classified by Underwriters Laboratories Inc. for electrical ground bonding, in Canada, they are CSA certified for electrical ground bonding and structural strength.

**ACCESSORY**

Catalog # REC-GFIBZ (120V)  
Wet Listed In-use cover



GFI Outlet Accessory



**PS SERIES  
PREMIUM STEEL  
CROWN-WELD® POLES**

**PS3S10C(a)BZ**  
10' (3.0 m) x 3' (76 mm)  
Wall thickness - 0.125" (3 mm)  
Base plate - 10" (254 mm) square x 0.50" (13 mm) thick  
Anchor bolts - 3/4"-10 x 18" (457 mm) + 3" (76 mm)  
Bolt circle diameter - 10" (254 mm) 9.3" - 11" (235 mm - 279 mm)  
Maximum fixture weight - 250 lbs. (114 Kg)  
Approximate shipping weight - 58 lbs. (26 Kg)

**PS3S15C(a)BZ**  
15' (4.6 m) x 3' (76 mm)  
Wall thickness - 0.125" (3 mm)  
Base plate - 10" (254 mm) square x 0.750" (19 mm) thick  
Anchor bolts - 3/4"-10 x 18" (457 mm) + 3" (76 mm)  
Bolt circle diameter - 10" (254 mm) 9.3" - 11" (235 mm - 279 mm)  
Maximum fixture weight - 250 lbs. (114 Kg)  
Approximate shipping weight - 82 lbs. (37 Kg)

**PS3S20C(a)BZ**  
20' (6.1 m) x 3' (76 mm)  
Wall thickness - 0.125" (3 mm)  
Base plate - 10" (254 mm) square x 0.750" (19 mm) thick  
Anchor bolts - 3/4"-10 x 18" (457 mm) + 3" (76 mm)  
Bolt circle diameter - 10" (254 mm) 9.3" - 11" (235 mm - 279 mm)  
Maximum fixture weight - 250 lbs. (114 Kg)  
Approximate shipping weight - 119 lbs. (54 Kg)

**PS4S10C(a)BZ**  
10' (3.0 m) x 4' (102 mm)  
Wall thickness - 0.125" (3 mm)  
Base plate - 10" (254 mm) square x 0.750" (19 mm) thick  
Anchor bolts - 3/4"-10 x 18" (457 mm) + 3" (76 mm)  
Bolt circle diameter - 10" (254 mm) 9.3" - 11" (235 mm - 279 mm)  
Maximum fixture weight - 350 lbs. (159 Kg)  
Approximate shipping weight - 78 lbs. (35 Kg)

**PS4S12C(a)BZ**  
12' (3.7 m) x 4' (102 mm)  
Wall thickness - 0.125" (3 mm)  
Base plate - 10" (254 mm) square x 0.750" (19 mm) thick  
Anchor bolts - 3/4"-10 x 18" (457 mm) + 3" (76 mm)  
Bolt circle diameter - 10" (254 mm) 9.3" - 11" (235 mm - 279 mm)  
Maximum fixture weight - 300 lbs. (136 Kg)  
Approximate shipping weight - 99 lbs. (45 Kg)

**PS4S15C(a)BZ**  
15' (4.6 m) x 4' (102 mm)  
Wall thickness - 0.125" (3 mm)  
Base plate - 10" (254 mm) square x 0.750" (19 mm) thick  
Anchor bolts - 3/4"-10 x 18" (457 mm) + 3" (76 mm)  
Bolt circle diameter - 10" (254 mm) 9.3" - 11" (235 mm - 279 mm)  
Maximum fixture weight - 350 lbs. (159 Kg)  
Approximate shipping weight - 119 lbs. (54 Kg)

**PS4S17C(a)BZ**  
17' (5.2 m) x 4' (102 mm)  
Wall thickness - 0.125" (3 mm)  
Base plate - 10" (254 mm) square x 0.750" (19 mm) thick  
Anchor bolts - 3/4"-10 x 18" (457 mm) + 3" (76 mm)  
Bolt circle diameter - 10" (254 mm) 9.3" - 11" (235 mm - 279 mm)  
Maximum fixture weight - 300 lbs. (136 Kg)  
Approximate shipping weight - 131 lbs. (59 Kg)

**PS4S20C(a)BZ**  
20' (6.1 m) x 4' (102 mm)  
Wall thickness - 0.125" (3 mm)  
Base plate - 10" (254 mm) square x 0.750" (19 mm) thick  
Anchor bolts - 3/4"-10 x 18" (457 mm) + 3" (76 mm)  
Bolt circle diameter - 10" (254 mm) 9.3" - 11" (235 mm - 279 mm)  
Maximum fixture weight - 350 lbs. (159 Kg)  
Approximate shipping weight - 150 lbs. (68 Kg)

**PS4S22C(a)BZ**  
22' (6.7 m) x 4' (102 mm)  
Wall thickness - 0.125" (3 mm)  
Base plate - 10" (254 mm) square x 0.750" (19 mm) thick  
Anchor bolts - 3/4"-10 x 18" (457 mm) + 3" (76 mm)  
Bolt circle diameter - 10" (254 mm) 9.3" - 11" (235 mm - 279 mm)  
Maximum fixture weight - 310 lbs. (141 Kg)  
Approximate shipping weight - 163 lbs. (74 Kg)

**PS4S25C(a)BZ**  
25' (7.6 m) x 4' (102 mm)  
Wall thickness - 0.125" (3 mm)  
Base plate - 10" (254 mm) square x 0.750" (19 mm) thick  
Anchor bolts - 3/4"-10 x 18" (457 mm) + 3" (76 mm)  
Bolt circle diameter - 10" (254 mm) 9.3" - 11" (235 mm - 279 mm)  
Maximum fixture weight - 350 lbs. (159 Kg)  
Approximate shipping weight - 182 lbs. (83 Kg)

**PS4S25S(a)BZ**  
25' (7.6 m) x 4' (102 mm)  
Wall thickness - 0.188" (5 mm)  
Base plate - 10" (254 mm) square x 0.750" (19 mm) thick  
Anchor bolts - 3/4"-10 x 18" (457 mm) + 3" (76 mm)  
Bolt circle diameter - 10" (254 mm) 9.3" - 11" (235 mm - 279 mm)  
Maximum fixture weight - 350 lbs. (159 Kg)  
Approximate shipping weight - 252 lbs. (114 Kg)

**PS4S27S(a)BZ**  
27' (8.2 m) x 4' (102 mm)  
Wall thickness - 0.188" (5 mm)  
Base plate - 10" (254 mm) square x 0.750" (19 mm) thick  
Anchor bolts - 3/4"-10 x 18" (457 mm) + 3" (76 mm)  
Bolt circle diameter - 10" (254 mm) 9.3" - 11" (235 mm - 279 mm)  
Maximum fixture weight - 280 lbs. (127 Kg)  
Approximate shipping weight - 273 lbs. (124 Kg)

**PS4S30S(a)BZ**  
30' (9.1 m) x 4' (102 mm)  
Wall thickness - 0.188" (5 mm)  
Base plate - 10" (254 mm) square x 0.750" (19 mm) thick  
Anchor bolts - 3/4"-10 x 18" (457 mm) + 3" (76 mm)  
Bolt circle diameter - 10" (254 mm) 9.3" - 11" (235 mm - 279 mm)  
Maximum fixture weight - 315 lbs. (143 Kg)  
Approximate shipping weight - 301 lbs. (137 Kg)

**PS5S25S(a)BZ**  
25' (7.6 m) x 5' (127 mm)  
Wall thickness - 0.188" (5 mm)  
Base plate - 10" (254 mm) square x 0.750" (19 mm) thick  
Anchor bolts - 1"-8 x 36" (914 mm) + 4" (102 mm)  
Bolt circle diameter - 10" (254 mm) 9.7" - 11.3" (248 mm - 287 mm)  
Maximum fixture weight - 450 lbs. (204 Kg)  
Approximate shipping weight - 320 lbs. (145 Kg)

**PS5S30S(a)BZ**  
30' (9.1 m) x 5' (127 mm)  
Wall thickness - 0.188" (5 mm)  
Base plate - 10" (254 mm) square x 0.750" (19 mm) thick  
Anchor bolts - 1"-8 x 36" (914 mm) + 4" (102 mm)  
Bolt circle diameter - 10" (254 mm) 9.7" - 11.3" (248 mm - 287 mm)  
Maximum fixture weight - 375 lbs. (170 Kg)  
Approximate shipping weight - 379 lbs. (172 Kg)

**PS6S30S(a)BZ**  
30' (9.1 m) x 6' (152 mm)  
Wall thickness - 0.188" (5 mm)  
Base plate - 12" (305 mm) square x 1" (25 mm) thick  
Anchor bolts - 1"-8 x 36" (914 mm) + 4" (102 mm)  
Bolt circle diameter - 11.5" (292 mm) 11.3" - 12.8" (286 mm - 324 mm)  
Maximum fixture weight - 525 lbs. (238 Kg)  
Approximate shipping weight - 457 lbs. (207 Kg)



9201 Washington Avenue Racine, Wisconsin 53406-3772 USA

© Ruud Lighting Inc. Printed in USA

PHONE (262) 886-1900

FAX (262) 884-3309

www.ruudlighting.com

06/23/06

9201 Washington Avenue Racine, Wisconsin 53406-3772 USA

PHONE (262) 886-1900

© Ruud Lighting Inc. Printed in USA

www.ruudlighting.com

06/23/06



**ROCKWALL  
DRIVE-UP ATM ISLAND  
& CANOPY**

2303 GREENCREST  
ROCKWALL, TX 75087

FOR REFERENCE ONLY

**WINCOR/NIXDORF**  
www.wincor-nixdorf.com

LIGHT POLES

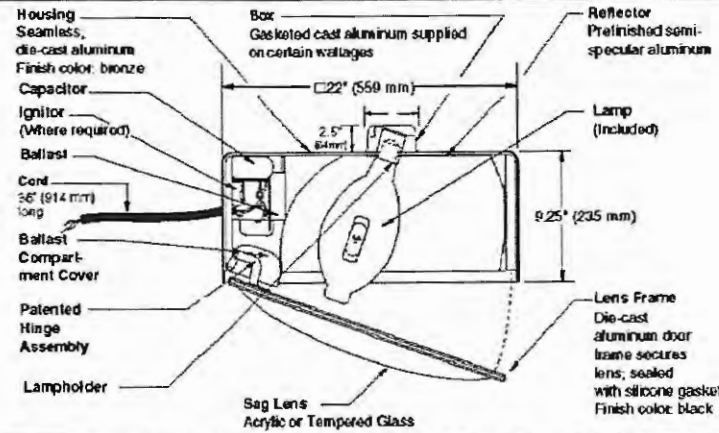
V8



WITHOUT MOUNTING (HARDWARE)

## 22" (559 mm) VERTICAL FORWARD THROW LIGHT

VFT8-22  
SERIES



**SPEC # WATTAGE CATALOG #**

PULSE START METAL HALIDE		
SPEC #	200W PSMH	VFT86920-(a)(b)
SPEC #	250W PSMH	VFT86925-(a)(b)
SPEC #	300W PSMH	VFT86930-(a)(b)
SPEC #	320W PSMH	VFT86932-(a)(b)
SPEC #	350W PSMH	VFT86935-(a)(b)
SPEC #	400W PSMH	VFT86940-(a)(b)
SPEC #	450W PSMH	VFT86945-(a)(b)
SPEC #	750W PSMH	VFT8675-(a)(b)
SPEC #	875W PSMH	VFT8687-(a)(b)
SPEC #	1000W PSMH	VFT8699-(a)(b)

METAL HALIDE		
SPEC #	250W MH	VFT8492-(a)(b)
SPEC #	400W MH	VFT8494-(a)(b)
SPEC #	1000W MH	VFT8499-(a)(b)

HIGH PRESSURE SODIUM		
SPEC #	250W HPS	VFT8592-(a)(b)
SPEC #	400W HPS	VFT8594-(a)(b)

Specify (a) Voltage & (b) Options.  
 2-Level available - consult factory.  
 Reduced envelope lamp: ED28 for 200 through 400W PSMH and 400W MH; BT37 for 450, 875 and 1000W PSMH and 1000W MH.

**(a) VOLTAGE SUFFIX KEY**

M	120/208/240/277V (Standard)
T	120/277/347V (Canada Only) (Standard)
1	120V
2	277V
27	277V Reactor (200-450W PSMH Only)
3	208V
4	240V
5	480V
6	347V (Canada Only)

For voltage availability outside the US and Canada, see Bulletin TD-9 or contact your Fixed Lighting authorized International Distributor.

**(b) OPTIONS (factory-installed)**

-(a)F	Fusing
-(a)P	Button Photocell (N/A for 1000W w/120V; N/A for 480V)
-1P	External Photocell (for 1000W/120V)
-5P	External Photocell (for 480V)
Q	Quartz Standby (includes 100W quartz lamp) (N/A on 277V Reactor)

Specify (a) Single Voltage - See Voltage Suffix Key

**Notes**

**GENERAL DESCRIPTION**

70° main beam forward throw luminaire for 20° from vertical HID lamp, totally enclosed. Optics provide precise control with low nadir candlepower. Housing is seamless die-cast aluminum. Gasketed, cast aluminum box supplied on top of 750, 875 and 1000W PSMH, 1000W MH, 250 and 400W HPS housing for tilted lamp clearance. Lens assembly consists of a rigid die-cast aluminum frame and clear acrylic sag lens (tempered glass on 450, 750, 875 and 1000W PSMH and 1000W MH). Fixture supplied with 36" (914 mm) flexible cord, hardware supplied by others.

**ELECTRICAL**

Fixture includes a clear, mogul-base lamp. 300 through 400W PSMH and 400W MH utilize the ED28 reduced envelope lamp. 450, 875 and 1000W PSMH and 1000W MH utilize the BT37 reduced envelope lamp. Pulse-rated porcelain enclosed, 4kv (5kv for 750 & 1000W PSMH) rated screw-shell-type lampholder with spring-loaded center contact and lamp grips. Lamp ignitor included where required. All ballast assemblies are high-power factor and use the following circuit types:  
 Reactor (277V PSMH)  
 200 - 450W PSMH  
 CWA - Constant Wattage Autotransformer  
 200 - 1000W PSMH; 250 - 1000W MH;  
 250 - 400W HPS

**PATENTS**

US 4,689,729

**FINISH**

Exclusive DeltaGuard® finish features an E-coat epoxy primer with medium bronze ultra-durable powder topcoat, providing excellent resistance to corrosion, ultraviolet degradation and abrasion. The finish is covered by our seven-year limited warranty.

**LABELS**

ANSI lamp wattage label supplied, visible during relamping. UL Listed in US and Canada for wet locations and enclosure classified IP54 per IEC 529 and IEC 598.

**ACCESSORIES**

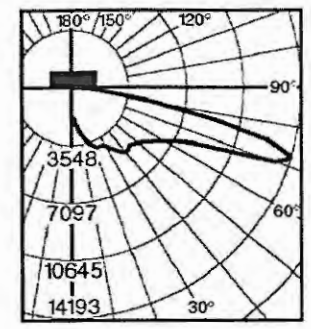
SBL-22 Backlight Shield

VFT8-22  
SERIES

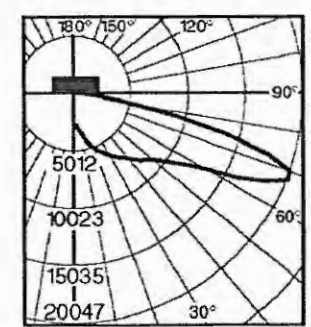
WITHOUT MOUNTING (HARDWARE)

## 22" (559 mm) VERTICAL FORWARD THROW LIGHT

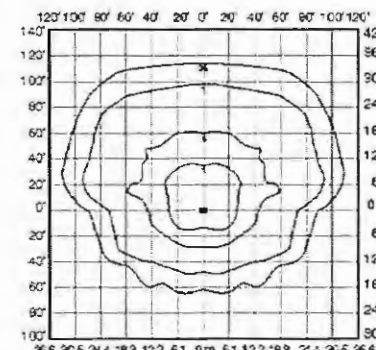
Isofootcandle plots show initial footcandles at grade. (Footcandles ÷ 0.0929 = Lux)



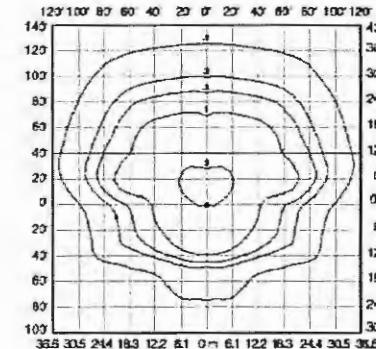
Independent Testing Laboratories  
 Certified Test Report No. ITL 40797  
 Candlepower distribution curve of 400W MH  
 Vertical Forward Throw Light.



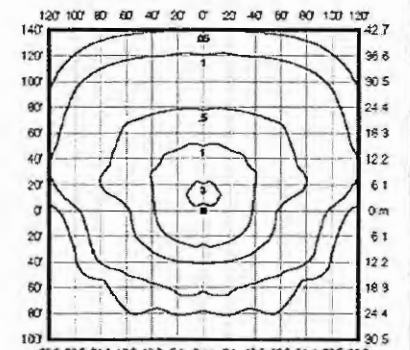
Lighting Sciences Inc.  
 Certified Test Report No. LSI 13845  
 Candlepower distribution curve of 400W PSMH  
 Vertical Forward Throw Light.



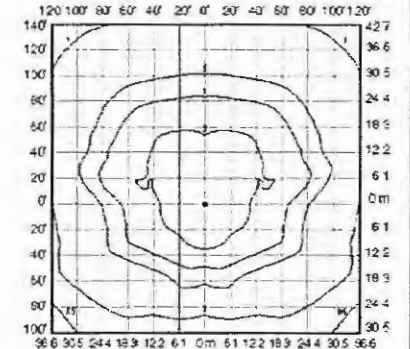
Isofootcandle plot of one 250W MH Vertical  
 Forward Throw Light at 25' (7.6 m) mounting  
 height and 0° vertical tilt. (Plan view)



Isofootcandle plot of one 400W PSMH Vertical  
 Forward Throw Light at 30' (9.1 m) mounting  
 height and 0° vertical tilt. (Plan view)



Isofootcandle plot of one 400W MH Vertical  
 Forward Throw Light at 30' (9.1 m) mounting  
 height and 0° vertical tilt. (Plan view)



Isofootcandle plot of one 1000W PSMH Vertical  
 Forward Throw Light at 30' (9.1 m) mounting  
 height and 0° vertical tilt. (Plan view)

**WELLS  
FARGO**

**ROCKWALL  
DRIVE-UP ATM ISLAND  
& CANOPY**

2303 GREENCREST  
 ROCKWALL, TX 75087

FOR REFERENCE ONLY

**RUUD LIGHTING**  
 9201 WASHINGTON AVE.  
 RACINE, WI 53406

POLE MOUNTED  
 LAMPS

9201 Washington Avenue Racine, Wisconsin 53406-3772 USA PHONE (262) 886-1900

FAX (262) 884-3309

© Ruud Lighting Inc. Printed in USA

www.ruudlighting.com

12/13/05



9201 Washington Avenue Racine, Wisconsin 53406-3772 USA

PHONE (262) 886-1900 FAX (262) 884-3309

© Ruud Lighting Inc. Printed in USA

www.ruudlighting.com

12/13/05

V9