

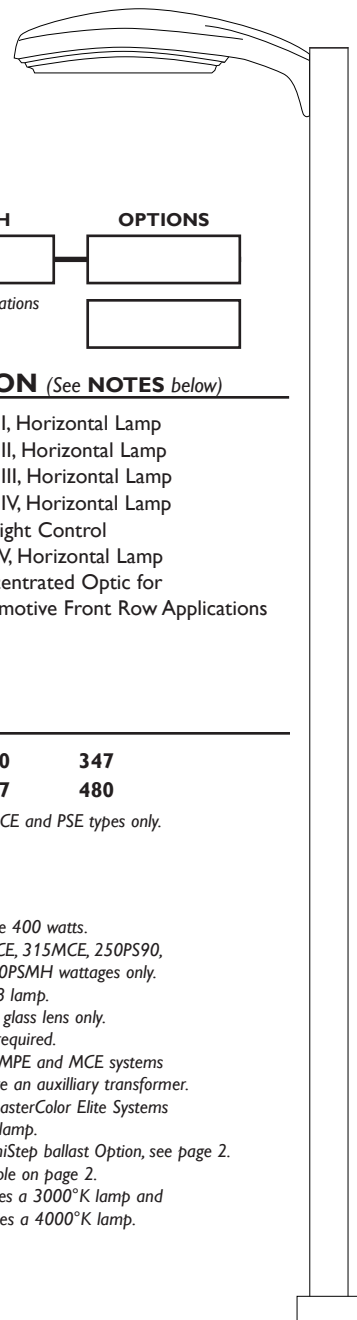
Job:
Type:
Notes:

Featuring CosmoPolis and MasterColor Elite Electronic HID Systems

Gullwing

G18 Area Luminaires

The Philips Gardco Gullwing is an area luminaire defined by its sleek profile and rugged construction. The housing is one-piece, die cast aluminum and mounts directly to a pole or wall without the need of a separate support arm. The multifaceted arc-image duplicating optical systems provide IES Types I, II, III, IV and V distributions. The door frame is single-piece diecast aluminum and retains an optically clear tempered flat glass lens. The luminaire is completely sealed and gasketed preventing intrusion from moisture, dust and insects. Gullwing luminaires are finished with a fade and abrasion resistant TGIC powdercoat. Flat glass lens luminaires provide full cutoff performance. Sag Lens luminaires provide cutoff performance.



PREFIX	MOUNTING	DISTRIBUTION	WATTAGE	VOLTAGE	FINISH	OPTIONS
<input type="text"/>	<input type="text"/>	<input type="text"/>	<input type="text"/>	<input type="text"/>	<input type="text"/>	<input type="text"/>

Enter the order code into the appropriate box above. Note: Gardco reserves the right to refuse a configuration. Not all combinations and configurations are valid. Refer to notes below for exclusions and limitations. For questions or concerns, please consult the factory.

PREFIX	MOUNTING	DISTRIBUTION (See NOTES below)
G18 18" Gullwing Luminaire	1 Single Pole Mount 2 Twin Pole Mount at 180° 2@90 Twin Pole Mount at 90° 3 3-way Pole Mount at 90° 3@120° 3-way Pole Mount at 120° 4 4-way Pole Mount W Wall Mount, Recessed J-Box WS Wall Mount, Surface Conduit	1¹ Type I, Horizontal Lamp 2XL Type II, Horizontal Lamp 3XL Type III, Horizontal Lamp 4XL Type IV, Horizontal Lamp BLC¹ Backlight Control Q¹ Type V, Horizontal Lamp AF² Concentrated Optic for Automotive Front Row Applications

WATTAGE				
Pulse Start MH Magnetic Ballast	100MH³	250PSMH [ⓔ]	350PSMH³ [ⓔ]	875PSMH⁴
	150MH³	250PS90** [ⓔ]	400PSMH³ [ⓔ]	
	175PSMH [ⓔ]	320PSMH³ [ⓔ]	750PSMH⁴	
Standard MH Magnetic Ballast	175MH³	250MH³	400MH³ ³	
CosmoPolis Electronic System (See Notes 6,7,8,9)	60CMPE	90CMPE 140CMPE		
MasterColor Elite Electronic System (See Notes 6,7,9,10)	210MCE-3K [ⓔ]	315MCE-3K [ⓔ]		
	210MCE-4K [ⓔ]	315MCE-4K [ⓔ]		
Pulse Start MH Electronic Ballast (See Note 9)	150PSE⁵ [ⓔ]	175PSE [ⓔ]	250PSE [ⓔ]	320PSE³ [ⓔ]
High Pressure Sodium Magnetic Ballast	70HPS	150HPS	400HPS	750HPS⁴
	100HPS	250HPS	600HPS	
Low Pressure Sodium Magnetic Ballast	35LPS			

* 175MH, 250MH and 400MH not available for sale in the United States.
 ** 250PS90 includes a 90% efficient magnetic PSMH ballast, meeting the requirements of California Title 20, effective 1/1/2010.

[ⓔ] Wattages marked with Circle "E" meet federal energy efficiency standards applicable to 150 watt through 500 watt metal halide luminaires only.

VOLTAGE		
120	240	347
208	277	480
200-277 CMPE, MCE and PSE types only.		

- NOTES:**
- Not available above 400 watts.
 - Available in 210MCE, 315MCE, 250PS90, 250PSMH and 400PSMH wattages only.
 - Requires E28/BT28 lamp.
 - Furnished with sag glass lens only.
 - Mogul base lamp required.
 - 347V and 480V CMPE and MCE systems include and require an auxiliary transformer.
 - CosmoPolis and MasterColor Elite Systems are supplied with lamp.
 - Available with LumiStep ballast Option, see page 2.
 - See QS / Q924 Table on page 2.
 - "-3K" suffix specifies a 3000°K lamp and "-4K" suffix specifies a 4000°K lamp.

1611 Clovis Barker Road, San Marcos, TX 78666
 (800) 227-0758 (512) 753-1000 FAX: (512) 753-7855 sitelighting.com

© 2012 Koninklijke Philips Electronics N.V. All Rights Reserved.

Philips Gardco reserves the right to change materials or modify the design of its product without notification as part of the company's continuing product improvement program.

79115-85/0612

PHILIPS



FINISH

BRP	Bronze Paint
BLP	Black Paint
WP	White Paint
NP	Natural Aluminum Paint
OC	Optional Color Paint Specify <i>Optional Color</i> or RAL ex: <i>OC-LGP</i> or <i>OC-RAL7024</i> .
SC	Special Paint Specify. <i>Must supply color chip.</i>

OPTIONS

F¹¹	Fusing In Head
LF	In-Line/In-Pole Fusing
PC¹²	Photocontrol and Receptacle
PCR	Photocontrol Receptacle only
POLY¹³	Polycarbonate Sag Lens
SG¹⁴	Sag Glass Lens
HS	Internal Houseside Shield
QS⁹	Quartz Standby
QST⁹	Quartz Standby - Timed Delay
Q924⁹	Quartz Emergency
QT924⁹	Quartz Emergency - Timed Delay
RPA1¹⁵	3" Round Pole Adapter
RPA2¹⁶	4" and 5" Round Pole Adapter
MF¹⁷	Mast Arm Fitter

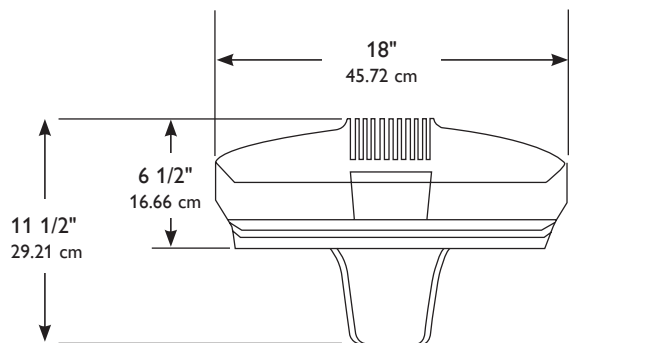
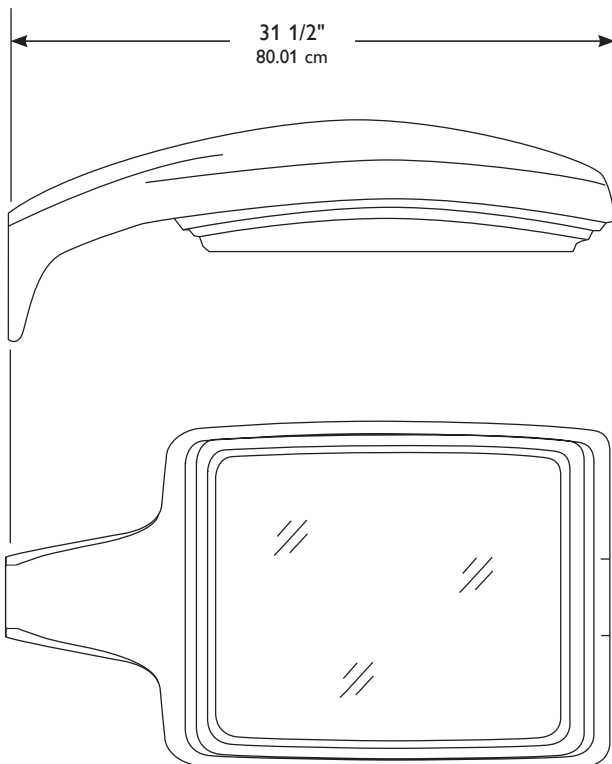
TR1¹⁸	Single Transition
TR2¹⁸	Twin Transition
PTF2¹⁹	Pole Top Fitter - 2 3/8" - 3" Dia. Tenon
PTF3¹⁹	Pole Top Fitter - 3" - 3 1/2" Dia. Tenon
PTF4¹⁹	Pole Top Fitter - 3 1/2" - 4" Dia. Tenon
SQPTF²⁰	Square Pole Top Fitter
GMR²¹	Provision for Gardco Motion Response
L6²²	LumiStep Ballast 6 hour
L8²²	LumiStep Ballast 8 hour
L10²²	LumiStep Ballast 10 hour

- 9. See QS/Q924 Table.
- 11. Not available above 400 watt.
- 12. Not available in 480V.
Provide specific input voltage.
- 13. 250W maximum. Polycarbonate lenses carry a 1 year warranty only.
- 14. In lieu of flat glass. Supplied standard and required with 750 watt and higher wattages.
- 15. Required for 3" O.D. round or tapered round poles where top O.D. is less than 4".
- 16. Required for 4"- 5" O.D. round poles.
- 17. Mounts to a 2-3/8" O.D. mast arm.
- 18. Mounts to a 2-3/8" Top Tenon. Specify a pole with a 4.50" O.D. for a smooth transition.
- 19. Not available in 120° mounting configurations.
- 20. Requires a 2-3/8" O.D. x 4" tenon or a 2.4" round pole top O.D. Specify Drilling (1, 2, 2@90, 3 or 4 only.)
- 21. Available only with 175PSMH through 400PSMH and 150HPS through 400HPS wattages. Includes dual-level capacitor and wiring to connect to Gardco Motion Response System.
- 22. Available with CosmoPolis system only. See submittal sheet GE200-005 for complete information on LumiStep ballasts.

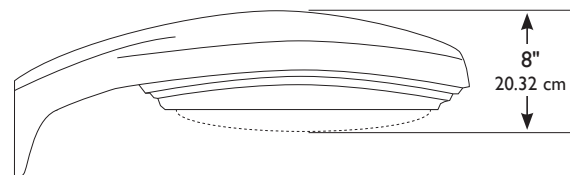
(Note 9) QS / Q924 Table	
HID Lamp Watts	Maximum Quartz Lamp Watts
175 watts or less	100 Watts
Above 175 watts up to 400 watts	150 Watts

QS, QST, Q924, QT924 are not available with CMPE, MCE or PSE wattages or in luminaires above 400 watts HID.

DIMENSIONS AND EPA



With Sag Glass Lens



EPA Data

1	2	3-4
1.2 ft ²	2.4 ft ²	3.2 ft ²
.11 m ²	.22 m ²	.30 m ²

1611 Clovis Barker Road, San Marcos, TX 78666
 (800) 227-0758 (512) 753-1000 FAX: (512) 753-7855 sitelighting.com

© 2012 Koninklijke Philips Electronics N.V. All Rights Reserved.

Philips Gardco reserves the right to change materials or modify the design of its product without notification as part of the company's continuing product improvement program.

79115-85/0612

PHILIPS



SPECIFICATIONS

GENERAL DESCRIPTION: The Philips Gardco Gullwing is an area luminaire defined by its sleek profile and rugged construction. The housing is one-piece, diecast aluminum and mounts directly to a pole or wall without the need of a separate support arm. The multifaceted arc-image duplicating optical systems provide IES Types I, II, III, IV and V distributions. The door frame is single-piece diecast aluminum and retains an optically clear tempered flat glass lens. The luminaire is completely sealed and gasketed preventing intrusion from moisture, dust and insects. The Gullwing luminaires are finished with a fade and abrasion resistant TGIC powdercoat.

HOUSING: A one-piece die cast aluminum housing mounts directly to a pole or wall without the need for a support arm. The low profile rounded form reduces the effective projected area of the luminaire to only 1.2 ft² / .11 m².

LENS ASSEMBLY: A single-piece diecast aluminum lens frame hinges down from the housing and is secured by a stainless steel lanyard and hinge pin.

An optically clear, heat and impact resistant tempered flat glass lens is mechanically secured with eight retainers. The electrical and optical chambers are thoroughly sealed with a one-piece memory retentive hollow-core EPDM gasket to prevent intrusion by moisture, dust, and insects.

OPTICAL SYSTEMS: The segmented optical systems are manufactured from homogenous sheet aluminum which has been electrochemically brightened, anodized and sealed. The multifaceted arc image duplicating systems are designed to produce IES Types I (1), II (2XL), III (3XL), IV (4XL and BLC), and V (Q). With the 2XL, 3XL and 4XL luminaries, the reflector facets form a conical fan around the arc tube with each facet positioned to be precisely tangent to the top of the arc tube.

The lampholder is glazed porcelain with a nickel plated screw shell. Position-oriented mogul base sockets to accept high output horizontal metal halide lamps are supplied standard.

ELECTRICAL: All electrical components are UL recognized and factory tested. Electronic and magnetic HID ballasts are high power factor and mounted on a unitized tray with quick electrical disconnects. Magnetic HID ballasts are the separate component type. Electronic and magnetic HID ballasts are capable of providing reliable lamp starting down to -20°F / -29°C.

Luminaires provided with the CosmoPolis or MasterColor Elite high performance ceramic metal halide electronic systems include high power factor electronic ballasts, designed specifically for the system selected.

FINISH: Each standard color luminaire receives a fade and abrasion resistant, electrostatically applied, thermally cured, triglycidal isocyanurate (TGIC) textured polyester powdercoat finish. Standard colors include bronze (BRP), black (BLP), white (WVP), and natural aluminum (NP). Consult factory for specs on optional or custom colors.

LABELS: All luminaires bear UL or CUL (where applicable) Wet Location labels.

WARRANTY: Philips Gardco luminaires feature a 5 year limited warranty. See Warranty Information on www.sitelighting.com for complete details and exclusions. Polycarbonate lenses carry a 1 year warranty only.

FULL CUTOFF PERFORMANCE: Full cutoff performance means a luminaire distribution where zero candela intensity occurs at an angle at or above 90° above nadir. Additionally, the candela per 1000 lamp lumens does not numerically exceed 100 (10 percent) at a vertical angle of 80° above nadir. This applies to all lateral angles around the luminaire.

CUTOFF PERFORMANCE: Cutoff performance means a luminaire distribution where the candela per 1000 lamp lumens does not numerically exceed 25 (2.5 percent) at an angle at or above 90° above nadir, and 100 (10 percent) at a vertical angle of 80° above nadir. This applies to all lateral angles around the luminaire.

1611 Clovis Barker Road, San Marcos, TX 78666
(800) 227-0758 (512) 753-1000 FAX: (512) 753-7855 [sitelighting.com](http://www.sitelighting.com)

© 2012 Koninklijke Philips Electronics N.V. All Rights Reserved.

Philips Gardco reserves the right to change materials or modify the design of its product without notification as part of the company's continuing product improvement program.

79115-85/0612

PHILIPS



Job:
 Type:
 Notes:

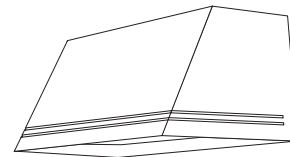
100 Line

Featuring CosmoPolis Electronic HID System

Page 1 of 3

101 Performance Sconce

The Philips Gardco 101 Trapezoidal Wedge high performance sconce luminaires are designed to integrate naturally to wall surfaces. The 101 luminaires are available with three (3) different distribution patterns. Each luminaire is designed to accept HID sources up to 175MH, and Compact Fluorescent up to (2) 42W. Housings are sealed throughout, completely excluding moisture, dust, insects and contaminants.



101 luminaires installed in the normal downlight position and with a flat glass lens, provide full cutoff performance.

PREFIX	DISTRIBUTION	WATTAGE	VOLTAGE	FINISH	OPTIONS

Enter the order code into the appropriate box above. Note: Philips Gardco reserves the right to refuse a configuration. Not all combinations and configurations are valid. Refer to notes below for exclusions and limitations. For questions or concerns, please consult the factory.

PREFIX

- 101** Trapezoidal Wedge (Standard Luminaire)
- 101EM** Emergency Sconce
- 101EMC** Emergency Sconce, Cold Temperature
- 101EMR** Remote Emergency Sconce

Refer to configuration chart below for available combinations.

DISTRIBUTION

- FT** Forward Throw *Not Available with Fluorescent or LPS sources.*
- WT** Wide Throw *Not Available with Fluorescent or LPS sources.*
- MT** Medium Throw

WATTAGE AND VOLTAGE

LAMP / VOLTAGE CHART - 101

HID*	Voltage					
	120	208	240	277	347	480
60CMPE	•	200 - 277				
50MH	•			•		
70MH	•	•	•	•	•	
100MH	•	•	•	•	•	•
150MH	•	•	•	•	•	•
175MH**	•	•	•	•	•	•
50CMHE¹	UNIV					
70CMHE¹	UNIV					
100CMHE¹	UNIV					
35HPS	•					
50HPS	•			•		
70HPS	•	•	•	•	•	•
100HPS	•	•	•	•	•	•
150HPS	•	•	•	•	•	•
18LPS	•			•		
<i>Fluorescent</i>						
26QF¹	UNIV			•		
226QF¹	UNIV			•		
32TRF¹	UNIV			•		
232TRF¹	UNIV			•		
42TRF¹	UNIV			•		
242TRF¹	UNIV			•		

Combinations marked with a dot, shown with "UNIV" or "200-277" are available for ordering.

60CMPE

60 Watt CosmoPolis high performance electronic ceramic MH lamp and ballast system.
 Available in FT, WT and MT
 Available 120V or 200V - 277V only.

* MH, CMHE and HPS types require medium based E17 lamps. All MH 150W and below are pulse start by design, including CMHE types.

** 175MH not available for sale in the United States.

MH - Metal Halide
 CMHE - Ceramic Metal Halide with Electronic Ballast
 HPS - High Pressure Sodium
 LPS - Low Pressure Sodium
 TRF - Triple Tube Fluorescent
 QF - Quad Fluorescent

CONFIGURATION CHART - 101EM OR 101EMC⁵

Fluorescent	Distribution			Voltage					
	FT	WT	MT	120	208	240	277	347	480
226QF²			•	•			•		
32TRF			•	•			•		
42TRF			•	•			•		

CONFIGURATION CHART - 101EMR⁵

Fluorescent	Distribution			Voltage					
	FT	WT	MT	120	208	240	277	347	480
226QF^{2,3,4}			•	•			•		
32TRF			•	•			•		
232TRF^{2,3,4}			•	•			•		
42TRF			•	•			•		
242TRF^{2,4}			•	•			•		

1. Fluorescent and CMHE luminaires feature electronic ballasts that accept 120V through 277V, 50hz to 60hz, input. Specify "UNIV" voltage for 120V through 277V.
2. One (1) lamp is powered in emergency mode with EM, EMC and EMR types with the B84CG option.
3. Available with ICE420 option, which powers two (2) lamps in emergency mode. ICE420 option only available with 226QF or 232TRF. CAUTION: Maximum battery pack input power for EMR units with ICE420 option is 100 watts (.83 amps) when heating element is on. This is in addition to the normal input power for luminaire lamps and ballast.
4. Available with I162 option, which powers two (2) lamps in emergency mode. Lamps are wired in parallel. In emergency mode, should one lamp become inoperable, the remaining lamp will operate with a minimum total initial output of 2,250 lumens.
5. Refer to "101 Emergency Sconce Table" on page 3 for additional information.

1611 Clovis Barker Road, San Marcos, TX 78666
 (800) 227-0758 (512) 753-1000 FAX: (512) 753-7855 sitelighting.com

© 2012 Koninklijke Philips Electronics N.V. All Rights Reserved.

Philips Gardco reserves the right to change materials or modify the design of its product without notification as part of the company's continuing product improvement program.

79115-124/0512

PHILIPS



FINISH

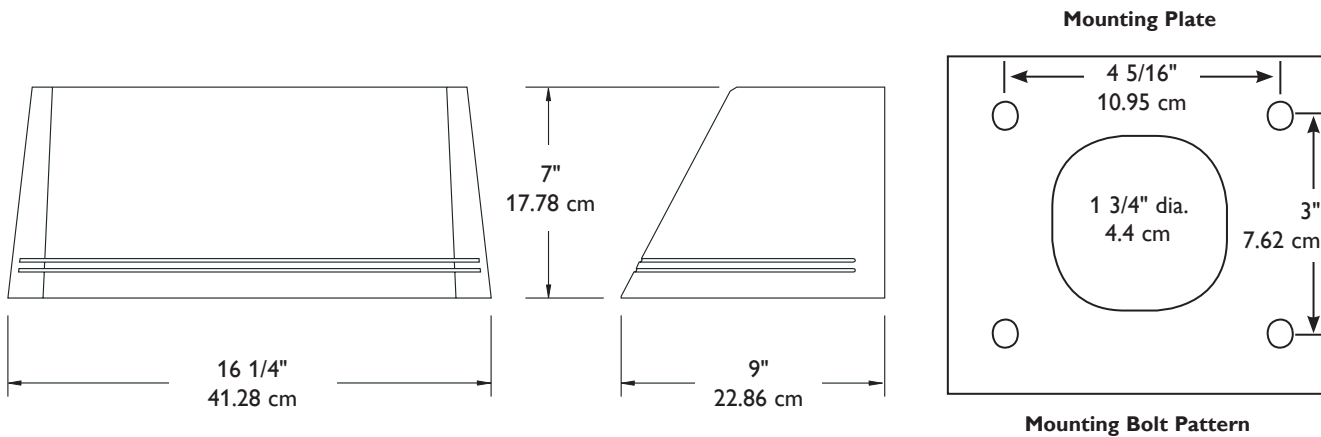
BRP	Bronze Paint
BLP	Black Paint
WP	White Paint
NP	Natural Aluminum Paint
BGP	Beige Paint
OC	Optional Color Paint Specify Optional Color or RAL ex: OC-LGP or OC-RAL7024.
SC	Special Paint Specify. Must supply color chip.

OPTIONS

F⁶	Fusing
PCB⁷	Button Type Photocontrol
QS⁸	Quartz Standby
QST⁸	Quartz Standby - Timed Delay
Q924⁹	Quartz Emergency
QT924⁹	Quartz Emergency - Timed Delay
Q12V^{9,20}	Quartz 12V Emergency
Q20MR^{10,20}	(2)MR16 12V Emergency - 20 Watt
Q35MR^{10,20}	(2)MR16 12V Emergency - 35 Watt
ELED^{19,20}	(2)LED 12V Emergency Modules - 6.2 Watt
SL	Solite [®] Diffusing Lens
UT	5° Uptilt
WLU¹¹	Wet Location Door for Inverted Mount
WS¹²	Wall Mounted Box for Surface Conduit
WS/UT¹²	WS Option w/5° Uptilt
WG¹³	Wire Guard
POLY^{13,14}	Polycarbonate Sag Lens
L6¹⁸	Lumistep [™] Ballast - 6 hour
L8¹⁸	Lumistep [™] Ballast - 8 hour
L10¹⁸	Lumistep [™] Ballast - 10 hour
EMR LUMINAIRES ONLY¹⁵	
B84CG	Bodine Remote Emergency Pack
ICE420¹⁶	IOTA Remote Emergency Battery Pack 226QF / 232TRF only.
1162¹⁷	IOTA Remote Emergency Battery Pack 226QF / 232TRF / 242TRF only.

6. 120V through 277V only.
7. Not available with 480V.
8. HID only, Not available with CMHE Ballasts, FT Optics or in 480V. 100 watt Quartz maximum.
9. WT Optic only. 150w HID maximum, 100w Quartz maximum.
10. WT Optic only. 50CMHE or 70CMHE only. Supplied with two (2) 20W MR16 or two (2) 35W MR16 Flood (40° beam) lamps.
11. Not available with WG or POLY options. Not available with EM, EMC or EMR types.
12. Rear entry permitted.
13. Not Available with WLU option.
14. 100 watt HID maximum. Polycarbonate lenses carry a 1 year warranty only.
15. All Emergency Battery Packs for EMR types MUST be ordered with luminaires and supplied by Philips Gardco.
16. CAUTION: Maximum battery pack input power for EMR units with ICE420 option is 100 watts (.83 amps) when heating element is on. This is in addition to the normal input power for luminaire lamps and ballast.
17. Lamps are wired in parallel. In emergency mode, should one lamp become inoperable, the remaining lamp will operate with a minimum total initial output of 2,250 lumens.
18. Available with CosmoPolis[™] system only. See submittal sheet GE200-005 for complete information on LumiStep[™] ballasts.
19. WT Optic only. 50CMHE or 70CMHE only. Supplied with two (2) 6.2 watt, 300 lumen LED modules.
20. Requires a separate source of 12V power by others.

DIMENSIONS



Note: Mounting plate center is located in the center of the luminaire width and 3.5" (8.89cm) above the luminaire bottom (lens down position). Splices must be made in the J-box (by others). Mounting plate must be secured by max. 5/16" (.79cm) diameter bolts (by others) structurally to the wall.

SPECIFICATIONS

GENERAL: Each Philips Gardco 101 luminaire is a wall mounted cutoff luminaire for high intensity discharge or compact fluorescent lamps. Internal components are totally enclosed in a rain-tight, dust-tight and corrosion resistant housing. The housing, back plate and door frame are die cast aluminum. A choice of three (3) optical systems is available. Luminaires are suitable for wet locations (damp locations if inverted).

HOUSING: Housings are die cast aluminum. A memory retentive gasket seals the housing to the door frame to exclude moisture, dust, insects and pollutants from the optical system. A black, die cast ribbed backplate dissipates heat for longer lamp and ballast life.

DOOR FRAME: A single-piece die cast aluminum door frame integrates to the housing form. The door frame is hinged closed and secured to the housing with two (2) captive stainless steel fasteners. The heat and impact resistant 1/8 (.32cm) tempered glass lens and one-piece gasket are mechanically secured to the door frame with four (4) galvanized steel retainers.

OPTICAL SYSTEMS: Reflectors are composed of specular extruded and faceted components, electropolished, anodized and sealed. Reflector segments are set in arc tube image duplicating patterns to achieve the wide throw, forward throw or medium throw downlight distributions.

ELECTRICAL:

STANDARD LUMINAIRES: Each high power factor HID core and coil ballast is the separate component type. For luminaires provided with CosmoPolis™, each high power factor ballast is electronic, designed specifically for the CosmoPolis™ high performance ceramic metal halide electronic system. All HID ballasts are capable of providing reliable lamp starting down to -20°F/-29°C. Standard fluorescent units have a starting temperature of 0°F/-18°C. Standard fluorescent ballasts are high power factor electronic solid state. Component-to-component wiring within the luminaire will carry no more than 80% of rated current and is listed by UL for use at 600 VAC at 150°C or higher. Plug disconnects are listed by UL for use at 600 VAC, 15A or higher.

LUMINAIRES FOR USE OUTSIDE NORTH AMERICA: Philips Gardco has capability to provide luminaires meeting requirements world wide. Consult the factory for specifications for projects outside North America.

LUMINAIRES with Q924 / G12V / QMR20 / QMR35 / ELED OPTIONS: Luminaires with the Q924 option require a separate source of 120V power (by others.) Luminaires with Q12V, Q20MR, Q35MR or ELED options require a separate source of 12V power (by others.)

EMERGENCY LUMINAIRES: All emergency luminaires feature an indicator light visible through the lens and a test switch accessible through the door assembly. Minimum battery pack ambient temperatures are as indicated in the 101 Emergency Sconce Table. In the event of a power interruption, emergency luminaires will power compact fluorescent lamps as indicated in the 101 Emergency Sconce Table at reduced light levels for a minimum of 90 minutes.

EMR LUMINAIRES include a 7.5"/2.29m, 12 wire, quick disconnect assembly for wiring through conduit (by others) to a B84CG, I162 or ICE420 fluorescent emergency battery pack. *The fluorescent emergency battery pack MUST be supplied by Philips Gardco. The B84CG option, the I162 option or the ICE420 option is required on the order to the factory.*

CAUTION: Maximum battery pack input power for EMR units with ICE420 option is 100 watts (.83 amps) when heating element is on. This is in addition to the normal input power for luminaire lamps and ballast.

101 Emergency Luminaire	Battery Pack Min. Ambient Temperature	Lamps Powered in Emergency Mode
101EM (Integral)	32°F / 0°C	(1) 26, (1) 32, or (1) 42 Watt Compact Fluorescent Lamp
101EMC (Integral)	-4°F / -20°C	
101EMR (Remote) with B84CG Option	32° F/ 0°C	
101EMR (Remote) with I162 Option ²²	32° F/ 0°C	(2) 26, (2) 32 or (2) 42 Watt Compact Fluorescent Lamps
101EMR (Remote) with ICE420 Option ²³	0°F / -18°C	(2) 26, or (2) 32 Watt Compact Fluorescent Lamps

- Notes:
 21. See Philips Gardco Emergency Light Output Information (79115-155) for emergency lumen output data.
 22. Lamps are wired in parallel. In emergency mode, should one lamp become inoperable, the remaining lamp will operate with a minimum total initial output of 2,250 lumens.
 23. CAUTION: Maximum battery pack input power for EMR units with ICE420 option is 100 watts (.83 amps) when heating element is on. This is in addition to the normal input power for luminaire lamps and ballast .

LAMPHOLDER: Pulse rated medium base sockets are glazed porcelain with nickel plated screw shell. Fluorescent sockets are high temperature (PBT) with brass contacts.

FINISH: Each standard color luminaire receives a fade and abrasion resistant, electrostatically applied, thermally cured, triglycidal isocyanurate (TGIC) textured polyester powdercoat finish. Standard colors are as listed. Consult factory for specs on custom colors.

LABELS: All luminaires bear UL or CUL (where applicable) labels, except as noted. Lens down application is Wet Location and lens up is Damp Location. Emergency luminaires do not bear CUL label.

WARRANTY: Philips Gardco luminaires feature a 5 year limited warranty. See Warranty Information on sitelighting.com for complete details and exclusions. Polycarbonate lenses carry a 1 year warranty only.

FULL CUTOFF PERFORMANCE: Full cutoff performance means a luminaire distribution where zero candela intensity occurs at an angle at or above 90° above nadir . Additionally, the candela per 1000 lamp lumens does not numerically exceed 100 (10 percent) at a vertical angle of 80° above nadir. This applies to all lateral angles around the luminaire.

CUTOFF PERFORMANCE: Cutoff performance means a luminaire distribution where the candela per 1000 lamp lumens does not numerically exceed 25 (2.5 percent) at an angle at or above 90° above nadir, and 100 (10 percent) at a vertical angle of 80° above nadir. This applies to all lateral angles around the luminaire.