



# DEVELOPMENT APPLICATION

City of Rockwall  
Planning and Zoning Department  
385 S. Goliad Street  
Rockwall, Texas 75087

STAFF USE ONLY

PLANNING & ZONING CASE NO. \_\_\_\_\_

**NOTE:** THE APPLICATION IS NOT CONSIDERED ACCEPTED BY THE CITY UNTIL THE PLANNING DIRECTOR AND CITY ENGINEER HAVE SIGNED BELOW.

DIRECTOR OF PLANNING: \_\_\_\_\_

CITY ENGINEER: \_\_\_\_\_

PLEASE CHECK THE APPROPRIATE BOX BELOW TO INDICATE THE TYPE OF DEVELOPMENT REQUEST [SELECT ONLY ONE BOX]:

### PLATTING APPLICATION FEES:

- MASTER PLAT (\$100.00 + \$15.00 ACRE)<sup>1</sup>
- PRELIMINARY PLAT (\$200.00 + \$15.00 ACRE)<sup>1</sup>
- FINAL PLAT (\$300.00 + \$20.00 ACRE)<sup>1</sup>
- REPLAT (\$300.00 + \$20.00 ACRE)<sup>1</sup>
- AMENDING OR MINOR PLAT (\$150.00)
- PLAT REINSTATEMENT REQUEST (\$100.00)

### SITE PLAN APPLICATION FEES:

- SITE PLAN (\$250.00 + \$20.00 ACRE)<sup>1</sup>
- AMENDED SITE PLAN/ELEVATIONS/LANDSCAPING PLAN (\$100.00)

### ZONING APPLICATION FEES:

- ZONING CHANGE (\$200.00 + \$15.00 ACRE)<sup>1</sup>
- SPECIFIC USE PERMIT (\$200.00 + \$15.00 ACRE)<sup>1</sup>
- PD DEVELOPMENT PLANS (\$200.00 + \$15.00 ACRE)<sup>1</sup>

### OTHER APPLICATION FEES:

- TREE REMOVAL (\$75.00)
- VARIANCE REQUEST (\$100.00)

### NOTES:

<sup>1</sup>: IN DETERMINING THE FEE, PLEASE USE THE EXACT ACREAGE WHEN MULTIPLYING BY THE PER ACRE AMOUNT. FOR REQUESTS ON LESS THAN ONE ACRE, ROUND UP TO ONE (1) ACRE.

## PROPERTY INFORMATION [PLEASE PRINT]

ADDRESS 1700 JUSTIN ROAD

SUBDIVISION CHANNELL

LOT 4 BLOCK A

GENERAL LOCATION NORTHWEST CORNER OF JOHN KING BLVD & JUSTIN RD.

## ZONING, SITE PLAN AND PLATTING INFORMATION [PLEASE PRINT]

CURRENT ZONING PD-089

CURRENT USE LIGHT INDUSTRIAL

PROPOSED ZONING PD-089

PROPOSED USE same

ACREAGE 1 ACRE

LOTS [CURRENT] 4

LOTS [PROPOSED] 4

**SITE PLANS AND PLATS:** BY CHECKING THIS BOX YOU ACKNOWLEDGE THAT DUE TO THE PASSAGE OF HB3167 THE CITY NO LONGER HAS FLEXIBILITY WITH REGARD TO ITS APPROVAL PROCESS, AND FAILURE TO ADDRESS ANY OF STAFF'S COMMENTS BY THE DATE PROVIDED ON THE DEVELOPMENT CALENDAR WILL RESULT IN THE DENIAL OF YOUR CASE.

## OWNER/APPLICANT/AGENT INFORMATION [PLEASE PRINT/CHECK THE PRIMARY CONTACT/ORIGINAL SIGNATURES ARE REQUIRED]

OWNER CHANNELL CORPORATION

APPLICANT MEINHARDT & ASSOC.

CONTACT PERSON MR. WILLIAM CHANNELL

CONTACT PERSON DAVID MEINHARDT

ADDRESS 1700 JUSTIN RD.

ADDRESS 14643 DALLAS PKWY.

SUITE 636

CITY, STATE & ZIP ROCKWALL, TX

CITY, STATE & ZIP DALLAS, TX. 75254

PHONE

PHONE 972-934-5406

E-MAIL bchannelljr@channell.com

E-MAIL dmeinhardt@m-aarch.com

## NOTARY VERIFICATION [REQUIRED]

BEFORE ME, THE UNDERSIGNED AUTHORITY, ON THIS DAY PERSONALLY APPEARED \_\_\_\_\_ [OWNER] THE UNDERSIGNED, WHO STATED THE INFORMATION ON THIS APPLICATION TO BE TRUE AND CERTIFIED THE FOLLOWING:

"I HEREBY CERTIFY THAT I AM THE OWNER FOR THE PURPOSE OF THIS APPLICATION; ALL INFORMATION SUBMITTED HEREIN IS TRUE AND CORRECT; AND THE APPLICATION FEE OF \$ \_\_\_\_\_, TO COVER THE COST OF THIS APPLICATION, HAS BEEN PAID TO THE CITY OF ROCKWALL ON THIS THE \_\_\_\_\_ DAY OF \_\_\_\_\_, 20 \_\_\_\_\_. BY SIGNING THIS APPLICATION, I AGREE THAT THE CITY OF ROCKWALL (I.E. "CITY") IS AUTHORIZED AND PERMITTED TO PROVIDE INFORMATION CONTAINED WITHIN THIS APPLICATION TO THE PUBLIC. THE CITY IS ALSO AUTHORIZED AND PERMITTED TO REPRODUCE ANY COPYRIGHTED INFORMATION SUBMITTED IN CONJUNCTION WITH THIS APPLICATION, IF SUCH REPRODUCTION IS ASSOCIATED OR IN RESPONSE TO A REQUEST FOR PUBLIC INFORMATION."

GIVEN UNDER MY HAND AND SEAL OF OFFICE ON THIS THE \_\_\_\_\_ DAY OF \_\_\_\_\_, 20 \_\_\_\_.

OWNER'S SIGNATURE \_\_\_\_\_

NOTARY PUBLIC IN AND FOR THE STATE OF TEXAS \_\_\_\_\_

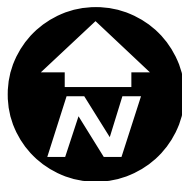
MY COMMISSION EXPIRES \_\_\_\_\_



# City of Rockwall

Planning & Zoning Department  
 385 S. Goliad Street  
 Rockwall, Texas 75032  
 (P): (972) 771-7745  
 (W): [www.rockwall.com](http://www.rockwall.com)

The City of Rockwall GIS maps are continually under development and therefore subject to change without notice. While we endeavor to provide timely and accurate information, we make no guarantees. The City of Rockwall makes no warranty, express or implied, including warranties of merchantability and fitness for a particular purpose. Use of the information is the sole responsibility of the user.





**CHANNELL**

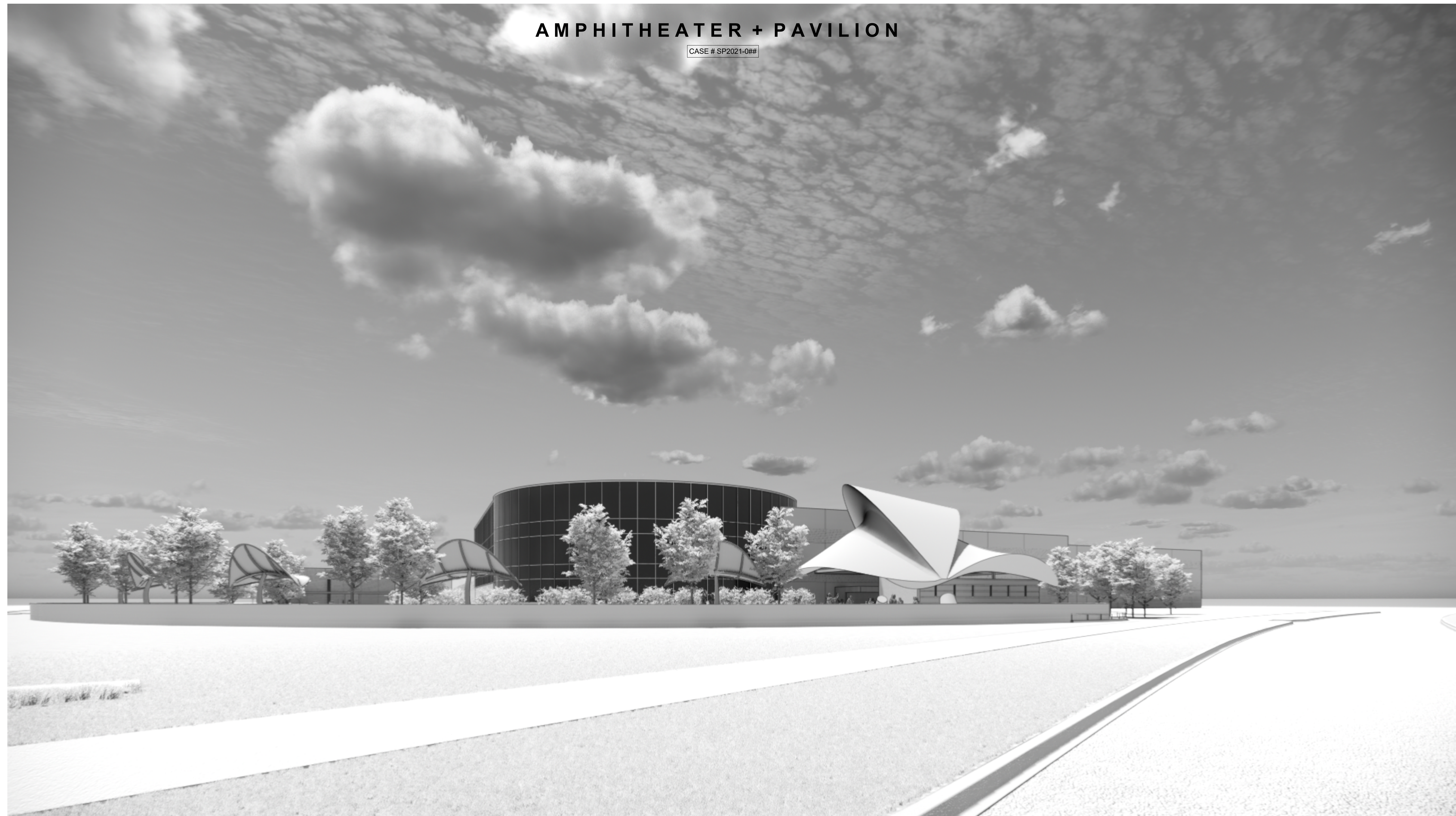
Where The Industry Connects.®

---

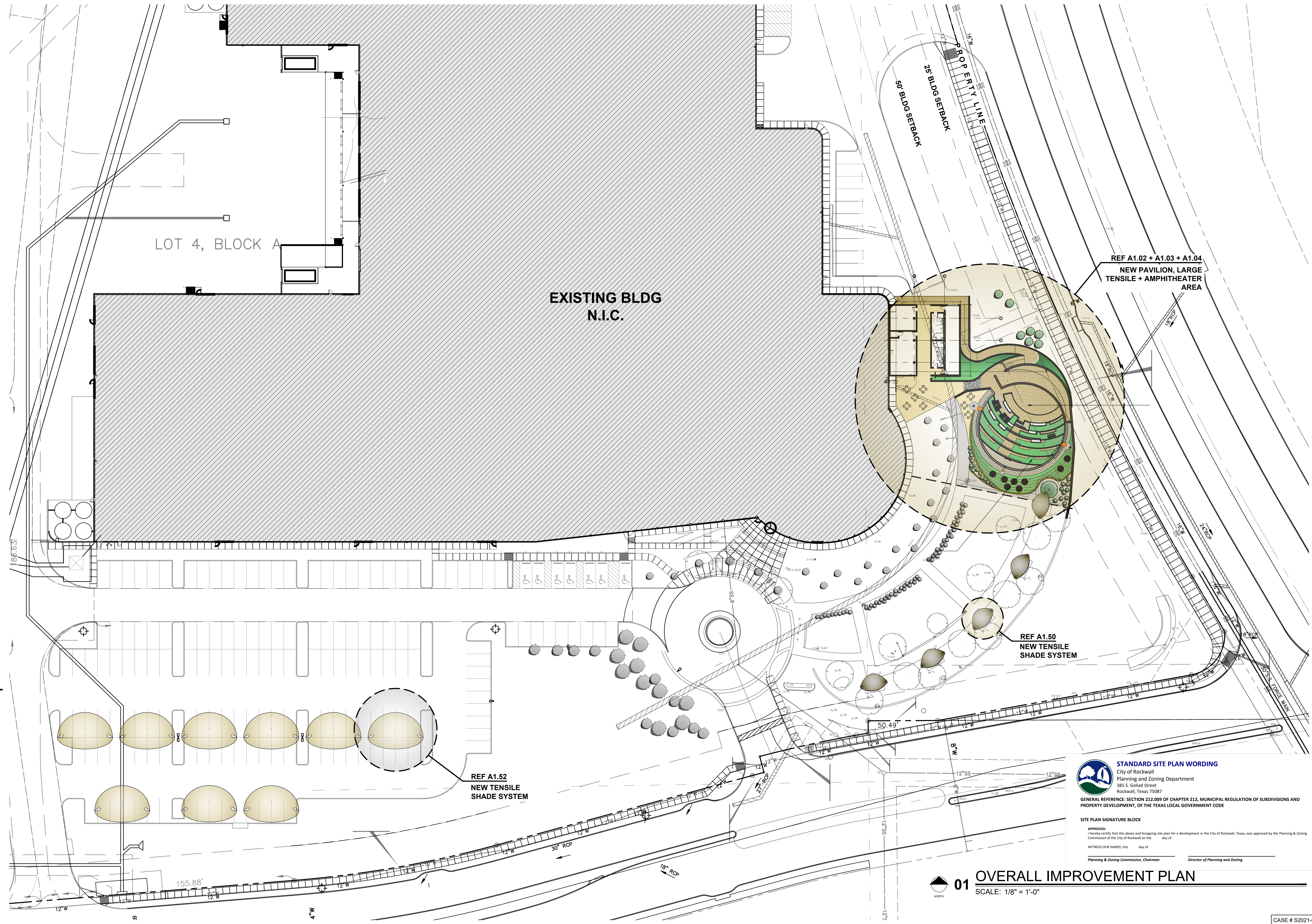
**CHANNELL CAMPUS IMPROVEMENTS**

1700 JUSTIN ROAD | ROCKWALL, TEXAS 75006

---



**CHANNELL CAMPUS IMPROVEMENTS**  
ROCKWALL, TEXAS  
1700 JUSTIN ROAD



\\MA-SERVER-02\Projects\MISC\20205-002-CHANNELL Corp. Amphitheater\02-CDs Amphitheater\0205-Amphitheater + Pavilion.dwg, 7/15/2021 6:13:59 PM

**STANDARD SITE PLAN WORDING**  
City of Rockwall  
Planning and Zoning Department  
385 S. Goliad Street  
Rockwall, Texas 75087

GENERAL REFERENCE: SECTION 212.009 OF CHAPTER 212, MUNICIPAL REGULATION OF SUBDIVISIONS AND PROPERTY DEVELOPMENT, OF THE TEXAS LOCAL GOVERNMENT CODE

**SITE PLAN SIGNATURE BLOCK**

APPROVED: I hereby certify that the above and foregoing site plan for a development in the City of Rockwall, Texas, was approved by the Planning & Zoning Commission of the City of Rockwall on the \_\_\_\_\_ day of \_\_\_\_\_, 2021.

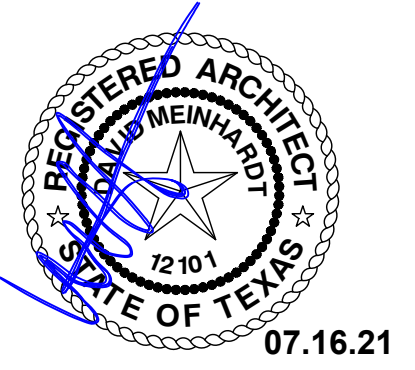
WITNESS OUR HANDS, this \_\_\_\_\_ day of \_\_\_\_\_, 2021.

\_\_\_\_\_  
Planning & Zoning Commission, Chairman

\_\_\_\_\_  
Director of Planning and Zoning

**01 OVERALL IMPROVEMENT PLAN**  
SCALE: 1/8" = 1'-0"

**MEINHARDT & ASSOCIATES ARCHITECTS, P.L.L.C.**  
1440 DALLAS PARKWAY  
SUITE 400  
DALLAS TEXAS 75244  
972.984.8880



PROJECT NO: 20-205.002  
DATE: 07.16.2021  
DRAWN BY: DBC  
CHECKED BY: DDM  
SHEET: SITE PLAN

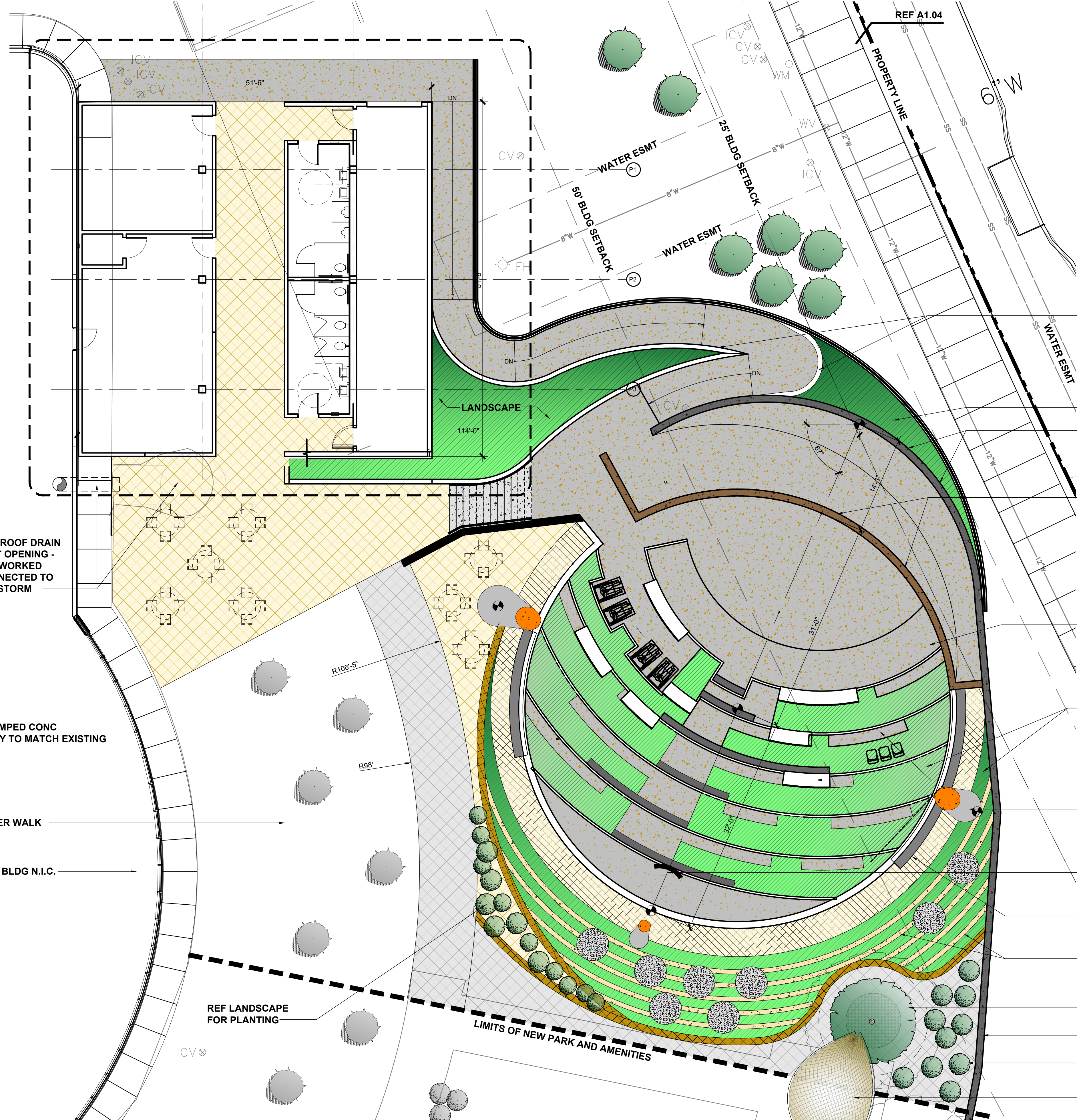
**A1.01**

CASE # S2021-0##

**LEGEND**

- NEW TURF NATURAL / SYNTHETIC
- NEW STAMPED CONC. ACCENT PAVING TO MATCH EXISTING PAVING
- NEW PATTERN #1 STAINED CONC
- NEW CONC w/LIGHT BROOM FINISH
- NEW 8" WIDE SMOOTH FINISH STAINED CONC. ACCENT STRIP
- NEW PATTERN #2 STAINED CONC
- NEW PATTERN #3 STAINED CONC

**CHANNELL CAMPUS IMPROVEMENTS**  
ROCKWALL, TEXAS  
1700 JUSTIN ROAD



SITE DATA RELATED TO PD-089

- 2015 INTERNATIONAL BUILDING CODE & LOCAL AMENDMENTS
- 2015 INTERNATIONAL ENERGY CONSERVATION CODE
- 2015 INTERNATIONAL FIRE CODE & LOCAL AMENDMENTS
- 2014 NATIONAL ELECTRIC CODE
- 2015 INTERNATIONAL MECHANICAL CODE
- 2015 INTERNATIONAL PLUMBING CODE

IMPROVEMENT AREA

PAVILLION (EVENT SUPPORT)	2,660 SF
AMPHITHEATER & BACKSTAGE	3,895 SF
SEATING CAPACITY	175 SEAT POSITIONS

- \* SPECIAL EVENT ANTICIPATED SEASONAL USE (APRIL TO OCTOBER)
- \* SPECIAL EVENT ANTICIPATED HOURS (4:00 PM TO 11:00 PM)

LAND USE	INCIDENTAL DISPLAY
TYPE OF CONSTRUCTION	TYPE IIB

PARKING REQUIRED (1/3 SEATS)	59 SPACES
PARKING AVAILABLE	278 SPACES

\\VA-SERVER-02\Projects\MISC\20205-002-CHANNELL Corp. Amphitheater\02-CDs Amphitheater\205-Amphitheater + Pavilion.dwg, 7/15/2021 6:14:02 PM

**01 ENLARGED AMPHITHEATER AREA**  
SCALE: 1/8" = 1'-0"  
\*\*REFERENCE A103 FOR ADDITIONAL INFO\*\*

**STANDARD SITE PLAN WORDING**  
City of Rockwall  
Planning and Zoning Department  
385 S. Goliad Street  
Rockwall, Texas 75087

GENERAL REFERENCE: SECTION 212.009 OF CHAPTER 212, MUNICIPAL REGULATION OF SUBDIVISIONS AND PROPERTY DEVELOPMENT, OF THE TEXAS LOCAL GOVERNMENT CODE

**SITE PLAN SIGNATURE BLOCK**

APPROVED: \_\_\_\_\_  
I hereby certify that the above and foregoing site plan for a development in the City of Rockwall, Texas, was approved by the Planning & Zoning Commission of the City of Rockwall on the \_\_\_\_\_ day of \_\_\_\_\_.

WITNESS OUR HANDS, this \_\_\_\_\_ day of \_\_\_\_\_

\_\_\_\_\_  
Planning & Zoning Commission, Chairman

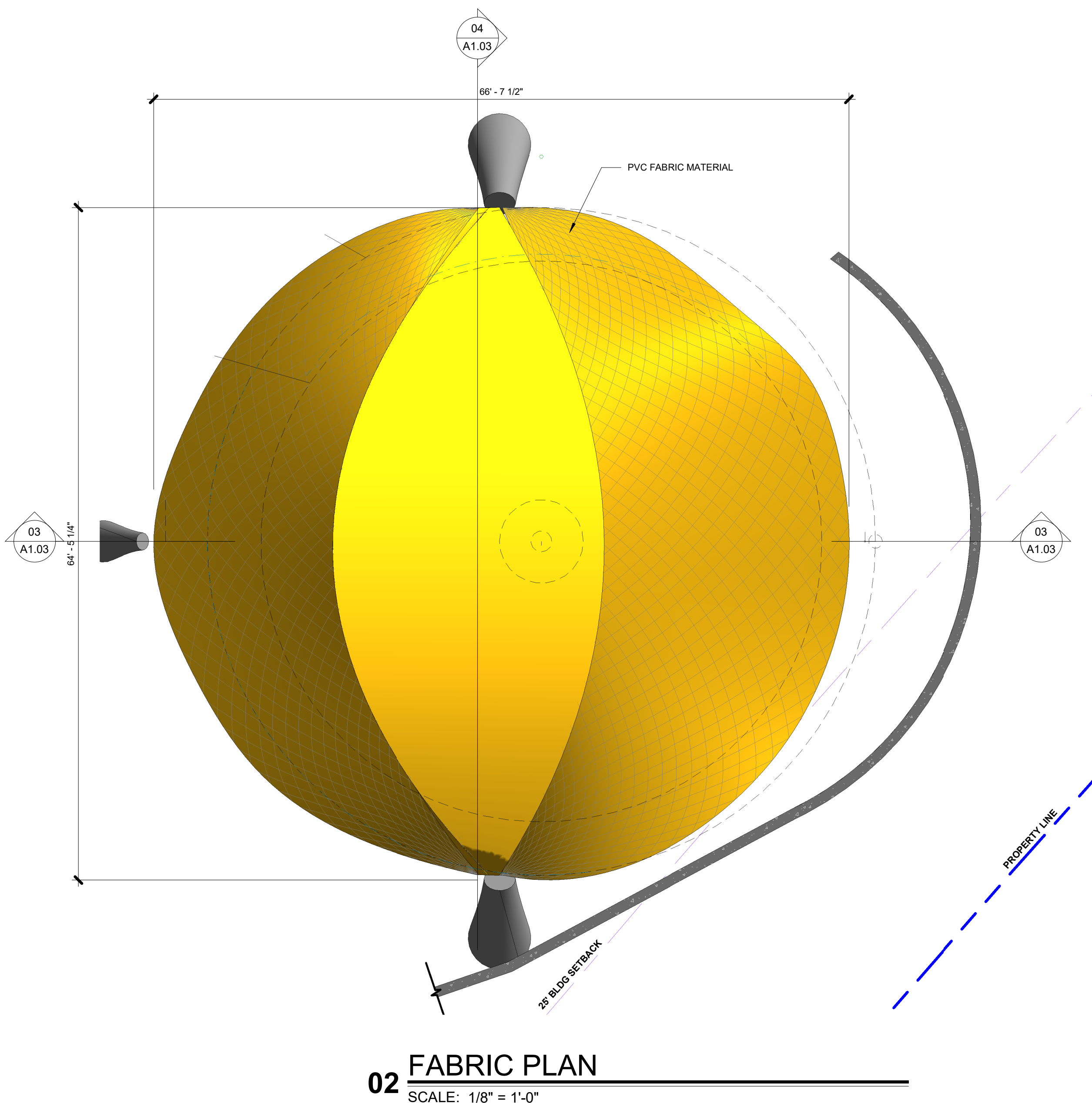
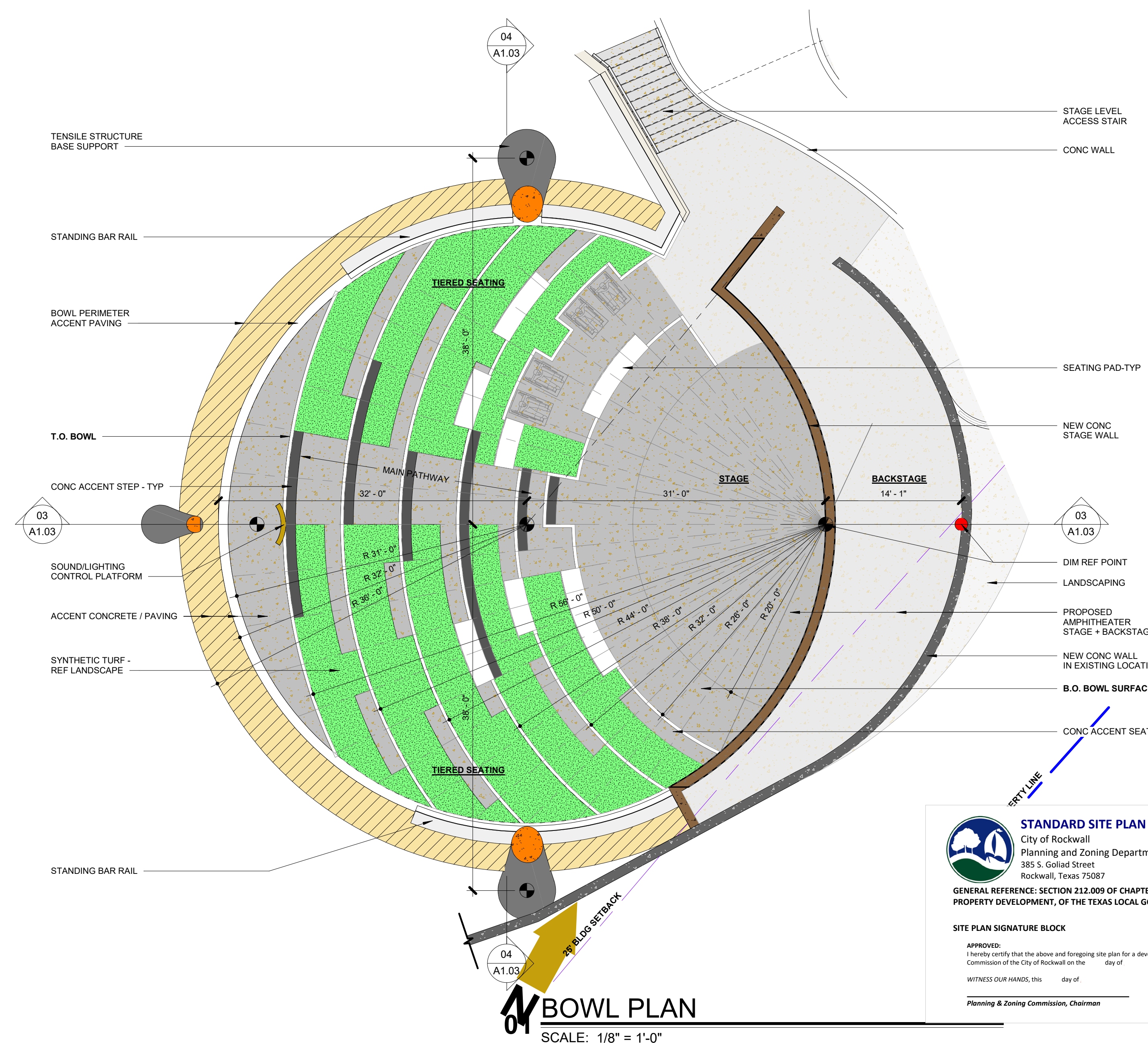
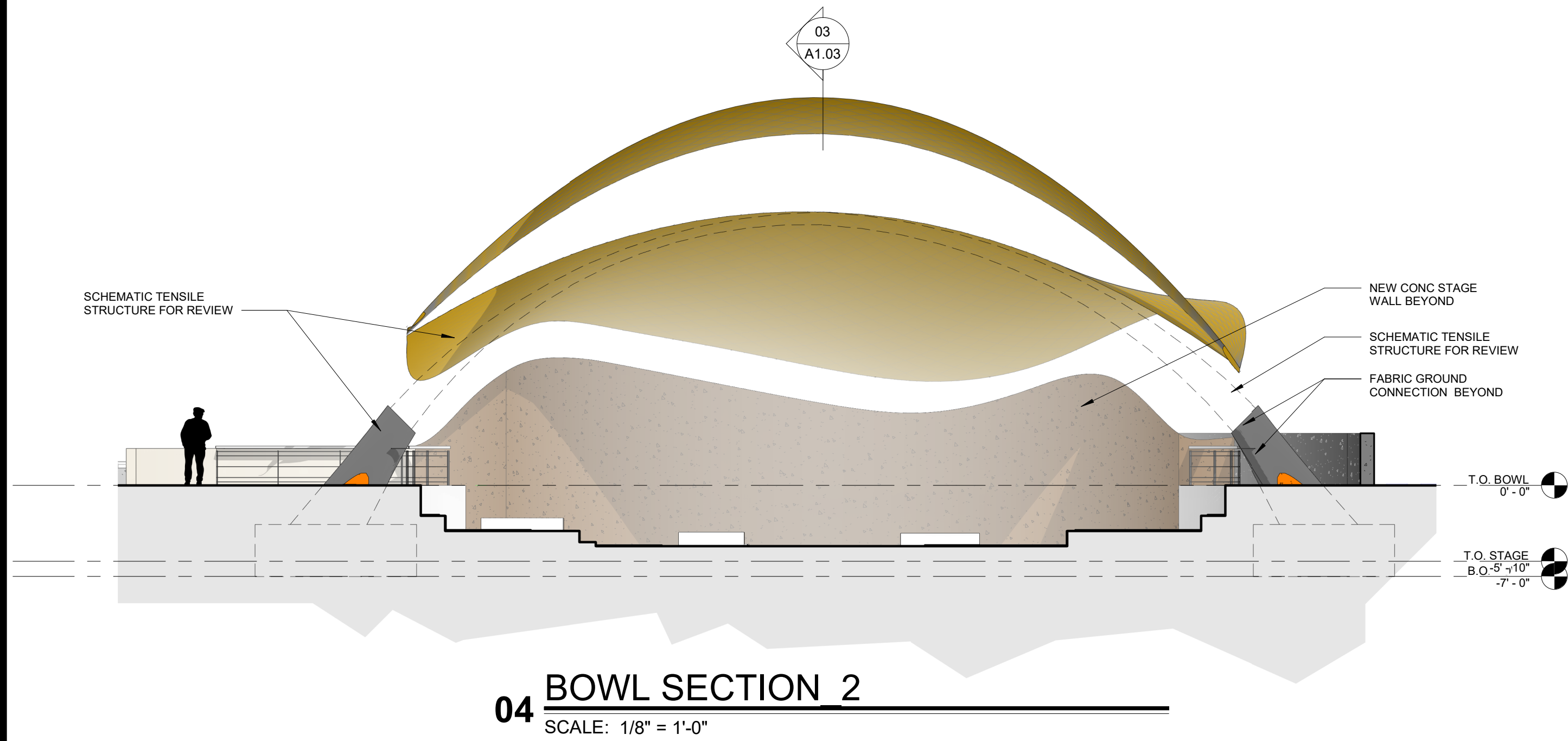
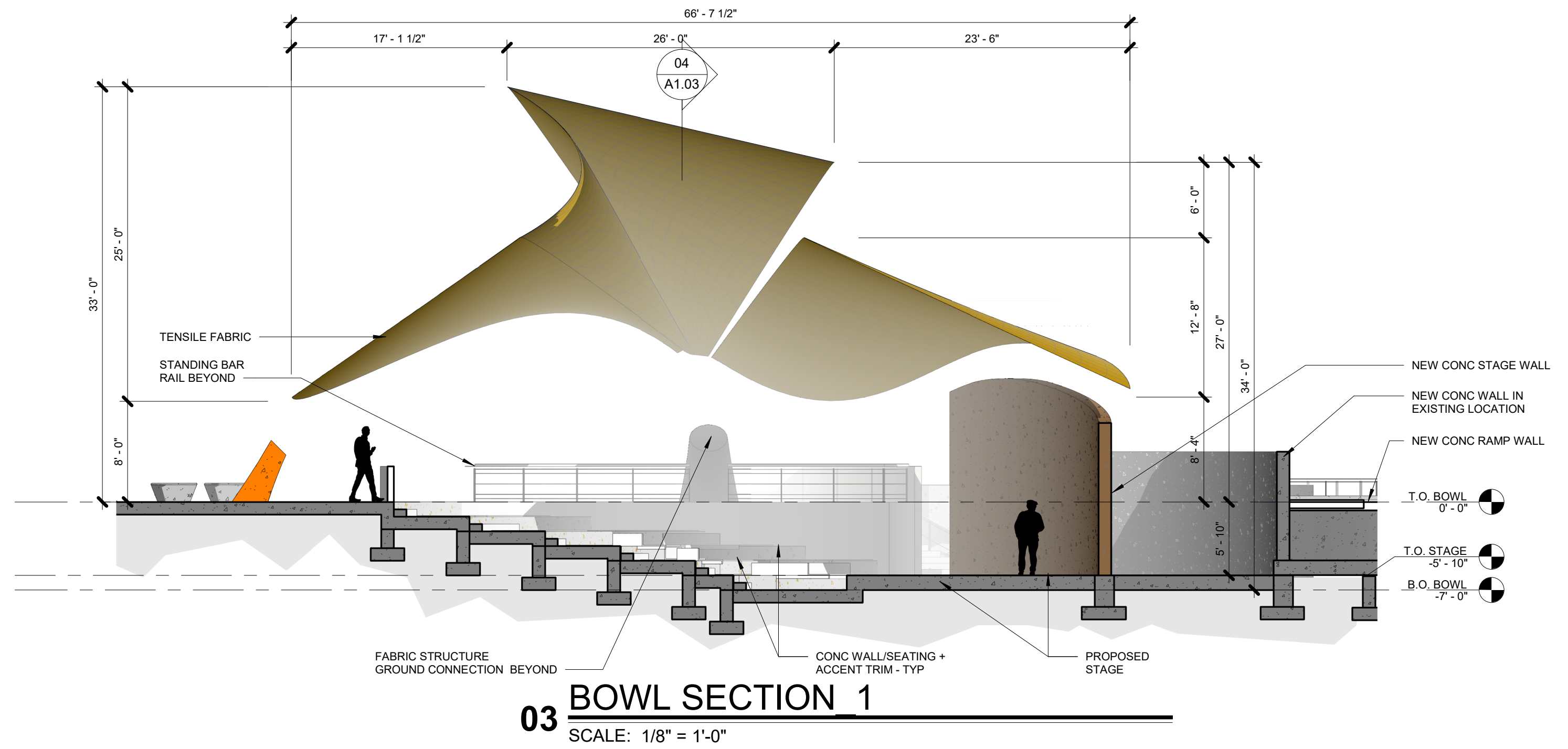
\_\_\_\_\_  
Director of Planning and Zoning

**MEINHARDT & ASSOCIATES ARCHITECTS, P.L.L.C.**  
1440 DALLAS PARKWAY  
SUITE 200  
DALLAS TEXAS 75244  
972.984.8880

**REGISTERED ARCHITECT**  
MEINHARDT  
2011  
STATE OF TEXAS  
07.16.21

PROJECT NO: 20-205.002  
DATE: 07.16.2021  
DRAWN BY: DBC  
CHECKED BY: DDM  
SHEET: SITE PLAN

**A1.02**



**STANDARD SITE PLAN WORDING**  
City of Rockwall  
Planning and Zoning Department  
385 S. Goliad Street  
Rockwall, Texas 75087

GENERAL REFERENCE: SECTION 212.009 OF CHAPTER 212, MUNICIPAL REGULATION OF SUBDIVISIONS AND PROPERTY DEVELOPMENT, OF THE TEXAS LOCAL GOVERNMENT CODE

**SITE PLAN SIGNATURE BLOCK**

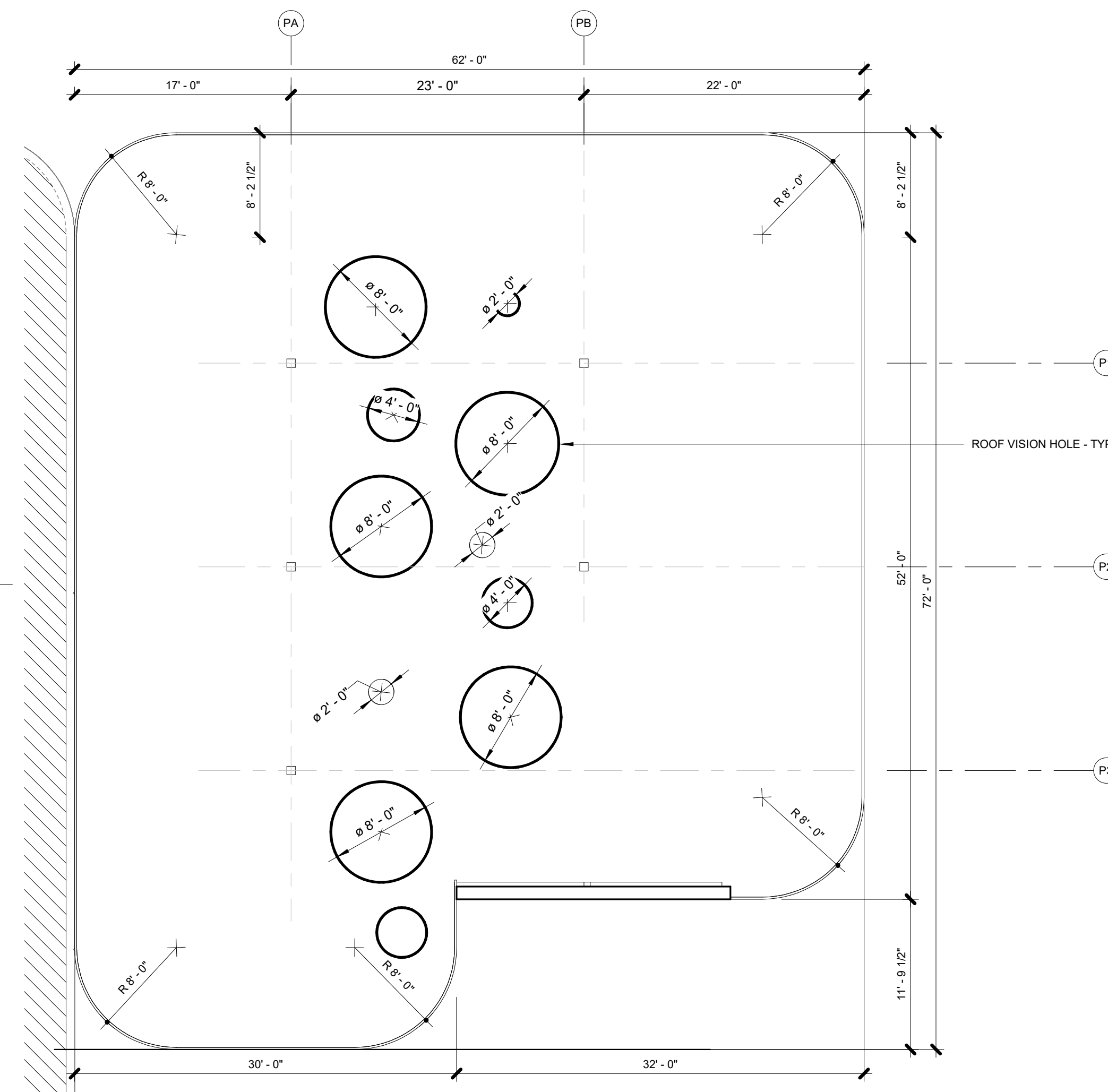
APPROVED: I hereby certify that the above and foregoing site plan for a development in the City of Rockwall, Texas, was approved by the Planning & Zoning Commission of the City of Rockwall on the \_\_\_\_\_ day of \_\_\_\_\_, 2021.

WITNESS OUR HANDS, this \_\_\_\_\_ day of \_\_\_\_\_, 2021.

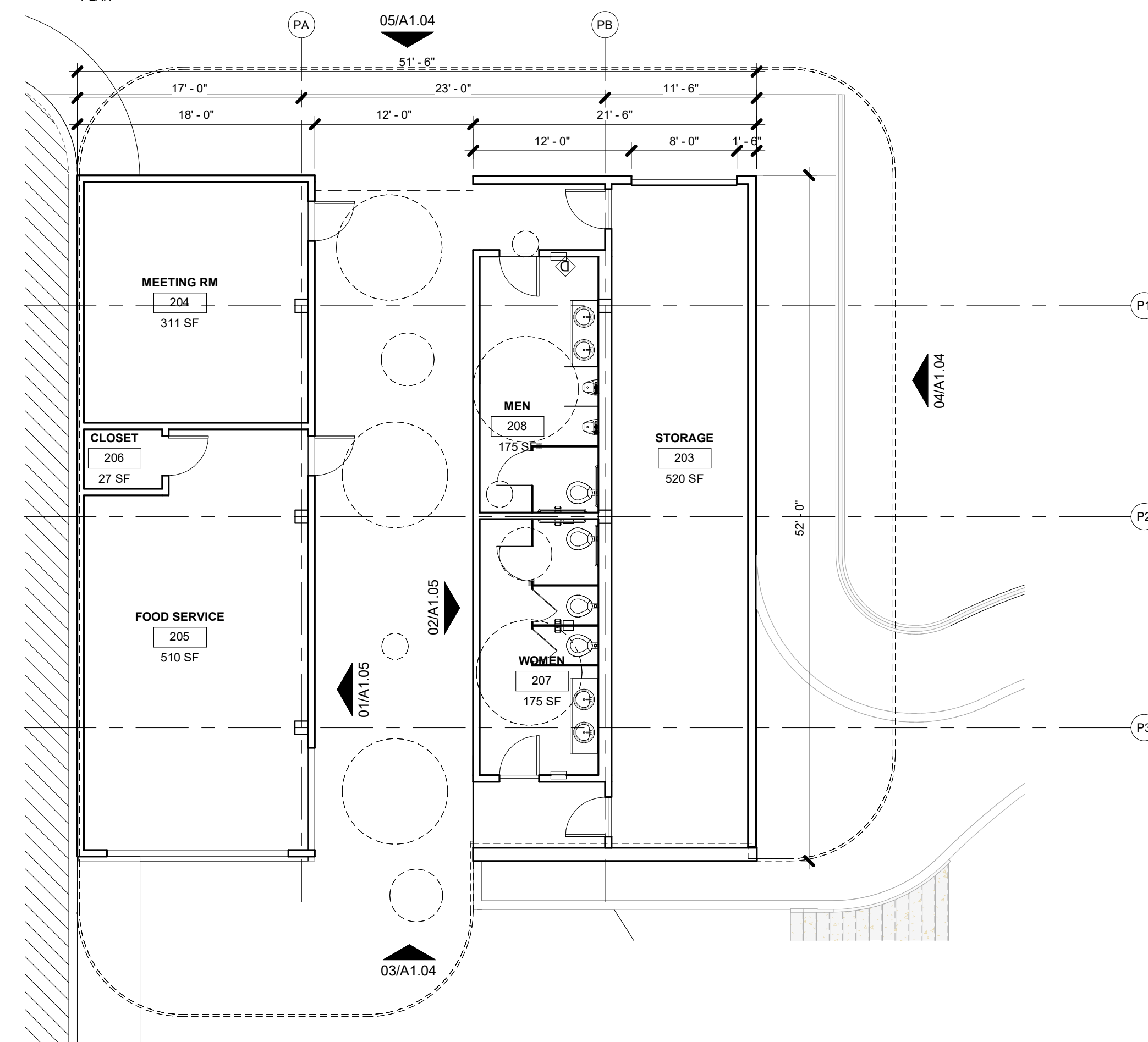
\_\_\_\_\_  
Planning & Zoning Commission, Chairman

\_\_\_\_\_  
Director of Planning and Zoning

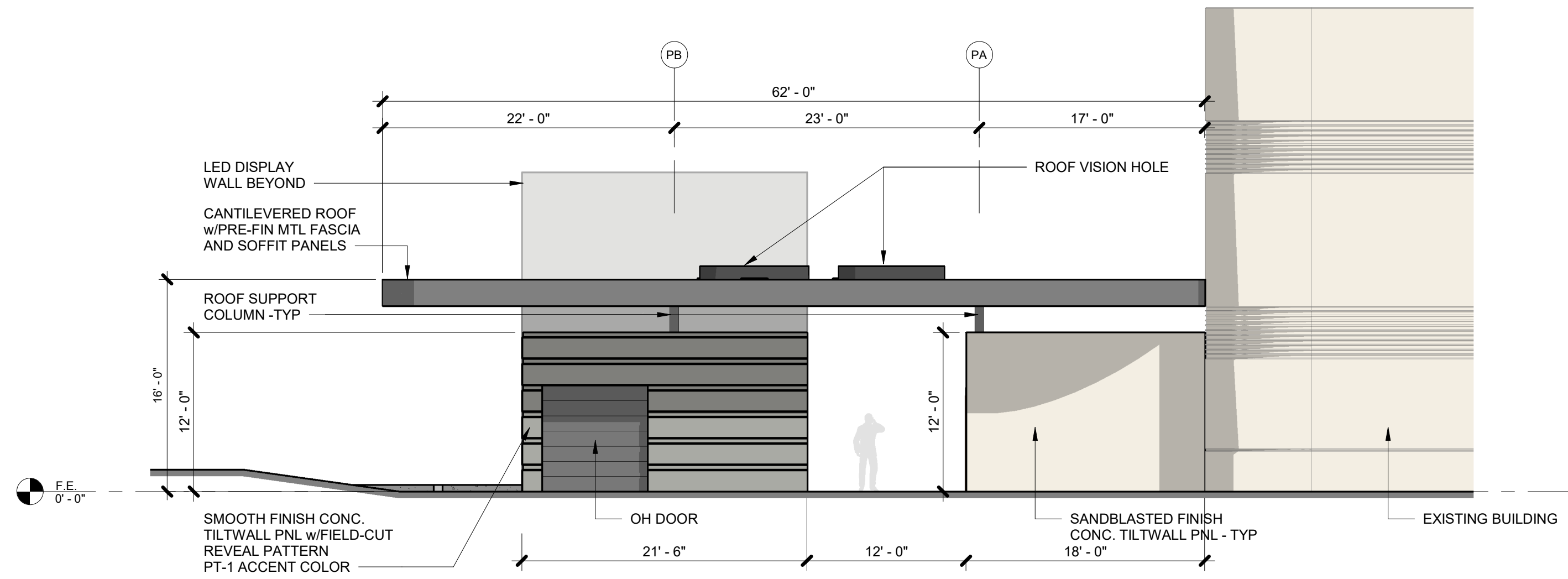
7/15/2021 6:06:44 PM BIM\_360//20205 - Channel Commercial Corporation/20205.002\_ARCH\_CHANNEL AMPHITHEATER + PAVILION\_R20.rvt



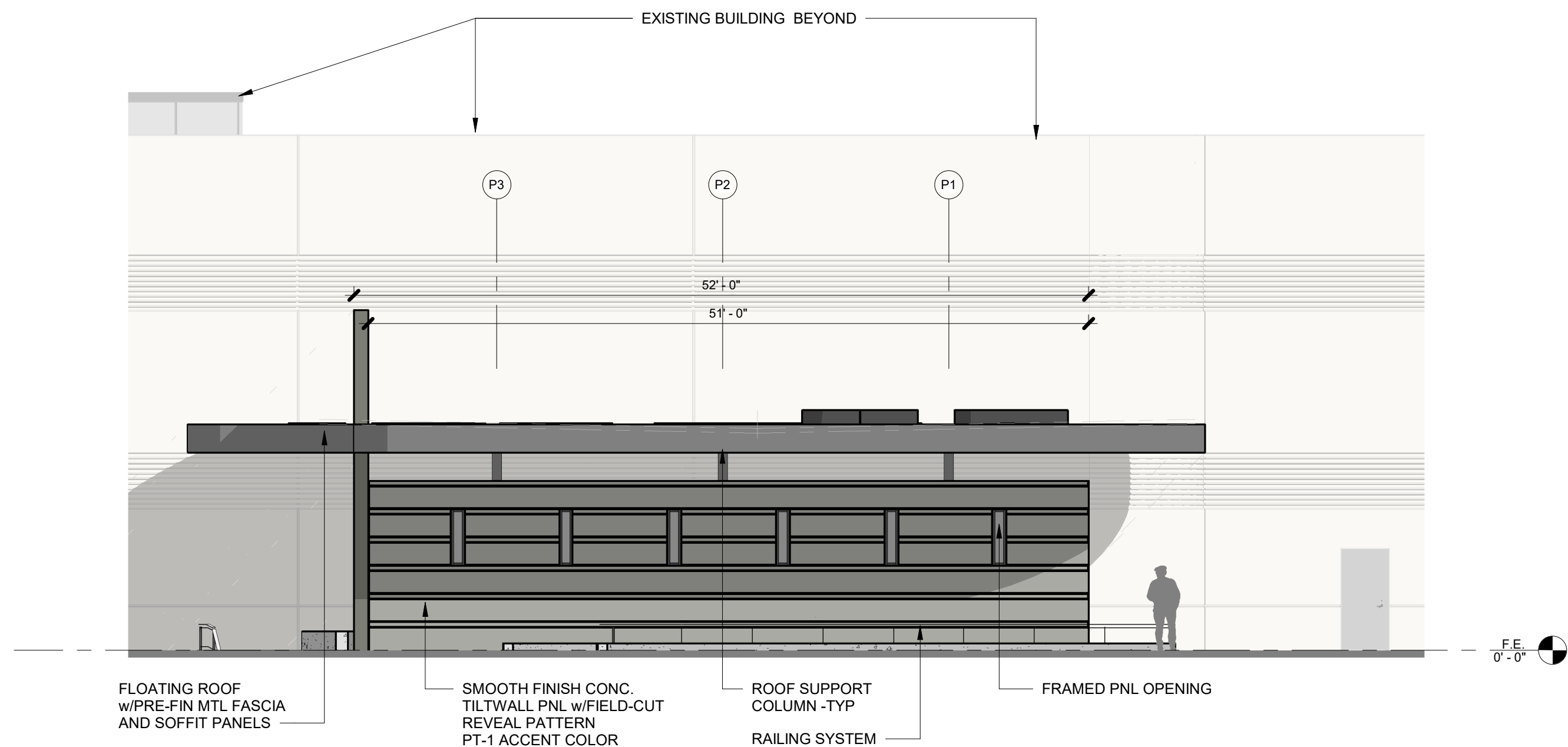
**02 PAVILION ROOF**  
SCALE: 1/8" = 1'-0"  
PLAN



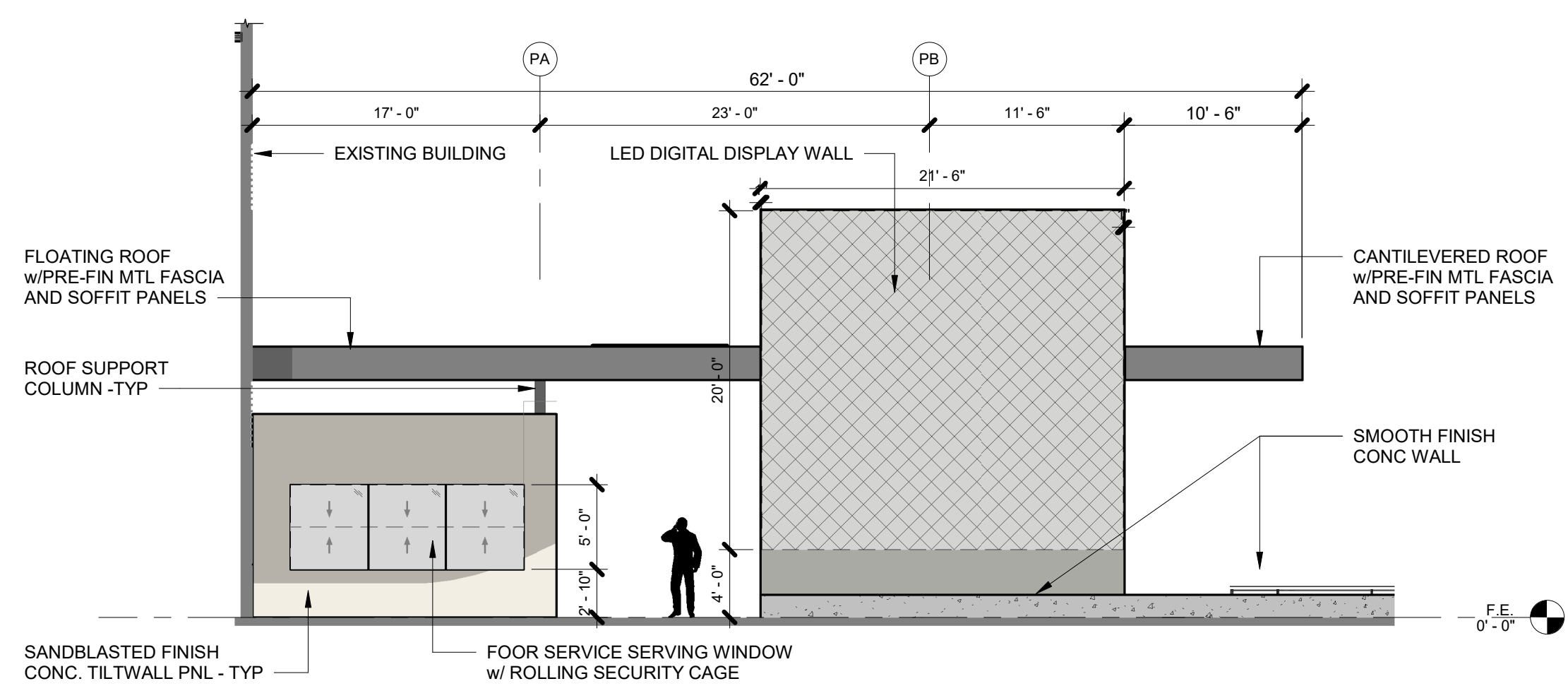
**01 PAVILION PLAN**  
SCALE: 1/8" = 1'-0"  
PLAN



**05 NORTH ELEVATION PAVILION**  
SCALE: 1/8" = 1'-0"



**04 EAST ELEVATION PAVILION**  
SCALE: 1/8" = 1'-0"



**03 SOUTH ELEVATION PAVILION**  
SCALE: 1/8" = 1'-0"

**STANDARD SITE PLAN WORDING**  
City of Rockwall  
Planning and Zoning Department  
385 S. Goliad Street  
Rockwall, Texas 75087

GENERAL REFERENCE: SECTION 212.009 OF CHAPTER 212, MUNICIPAL REGULATION OF SUBDIVISIONS AND PROPERTY DEVELOPMENT, OF THE TEXAS LOCAL GOVERNMENT CODE

SITE PLAN SIGNATURE BLOCK

APPROVED: I hereby certify that the above and foregoing site plan for a development in the City of Rockwall, Texas, was approved by the Planning & Zoning Commission of the City of Rockwall on the \_\_\_\_\_ day of \_\_\_\_\_, 2021.

WITNESS OUR HANDS, this \_\_\_\_\_ day of \_\_\_\_\_, 2021.

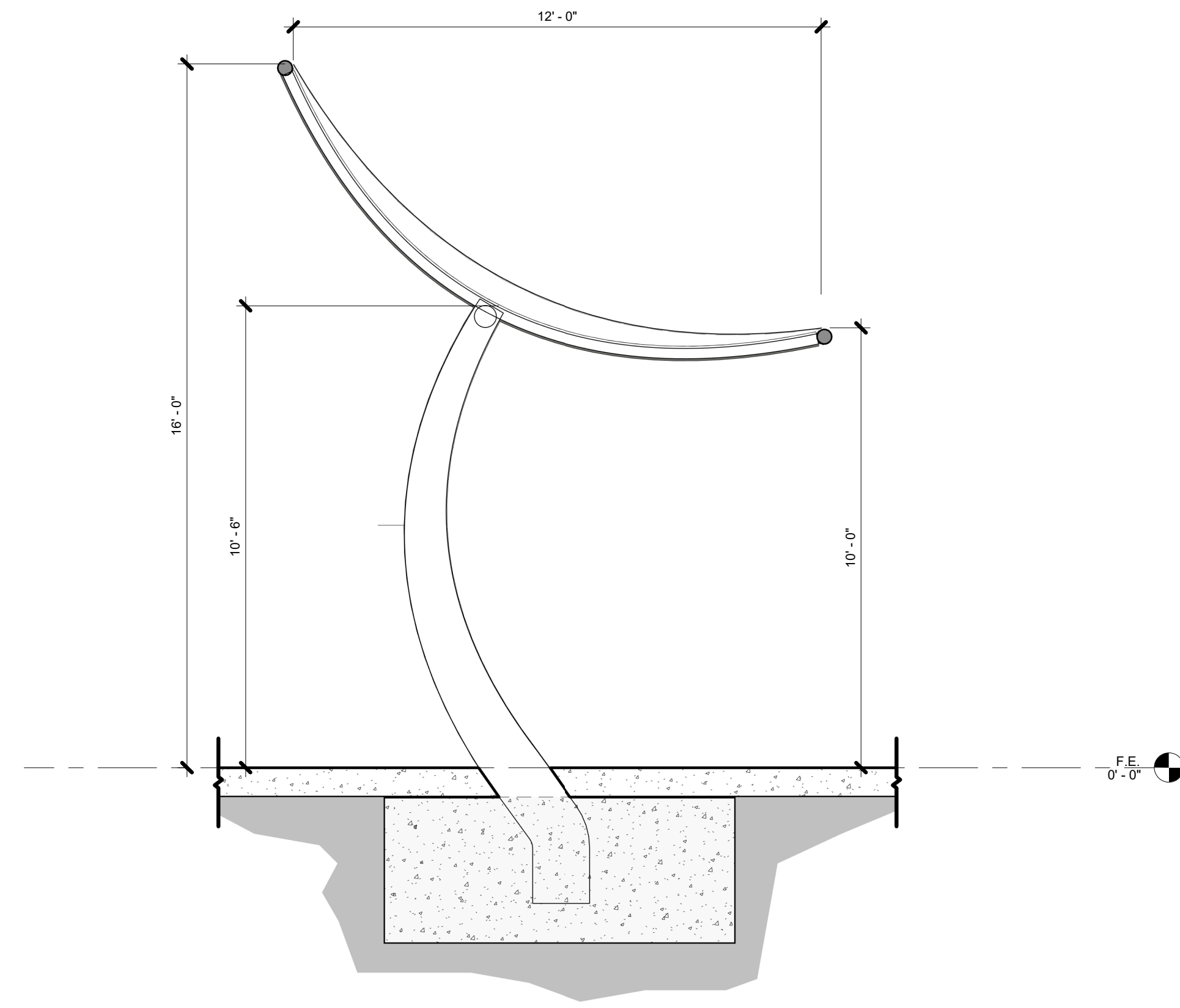
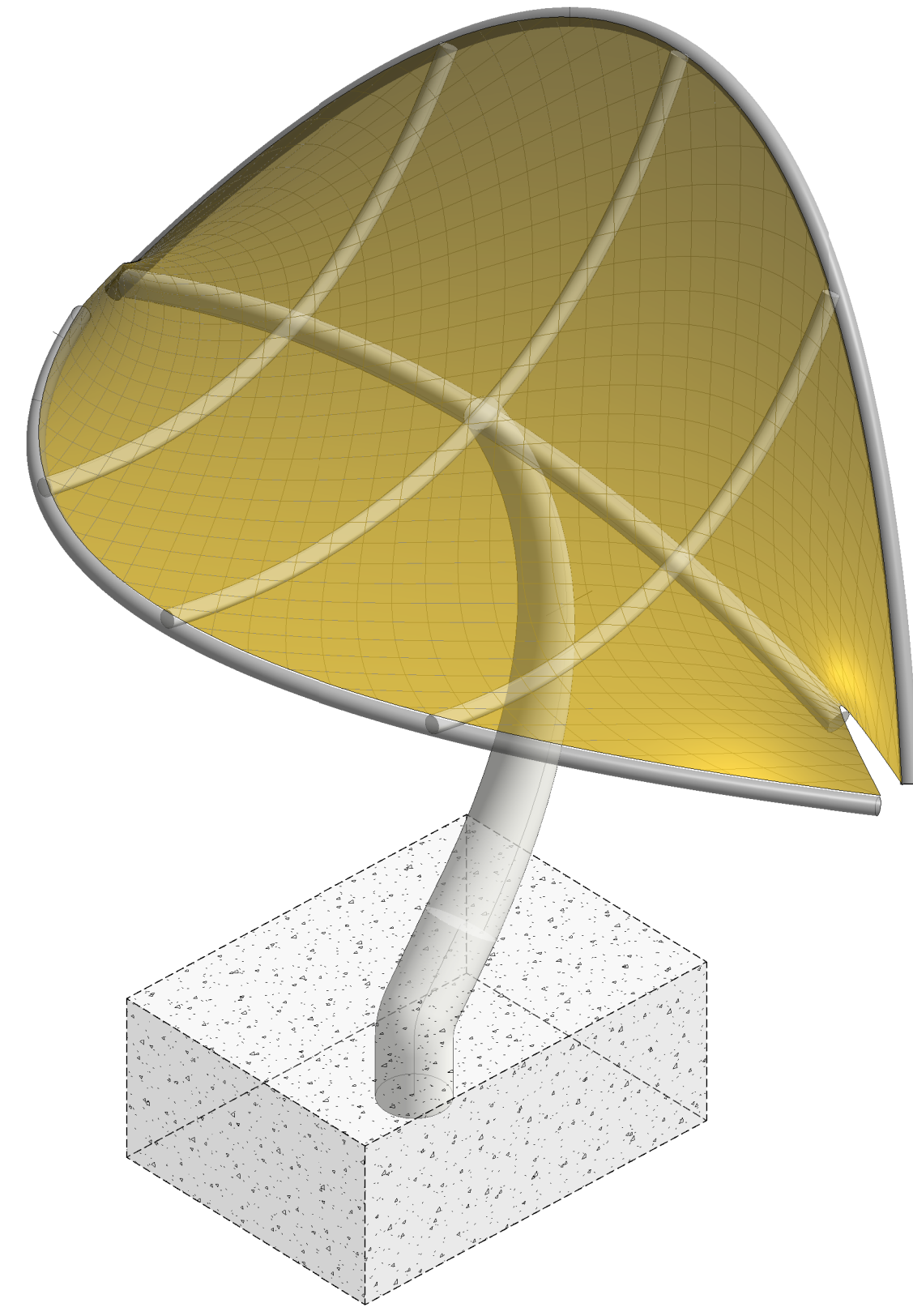
\_\_\_\_\_  
Planning & Zoning Commission, Chairman

\_\_\_\_\_  
Director of Planning and Zoning

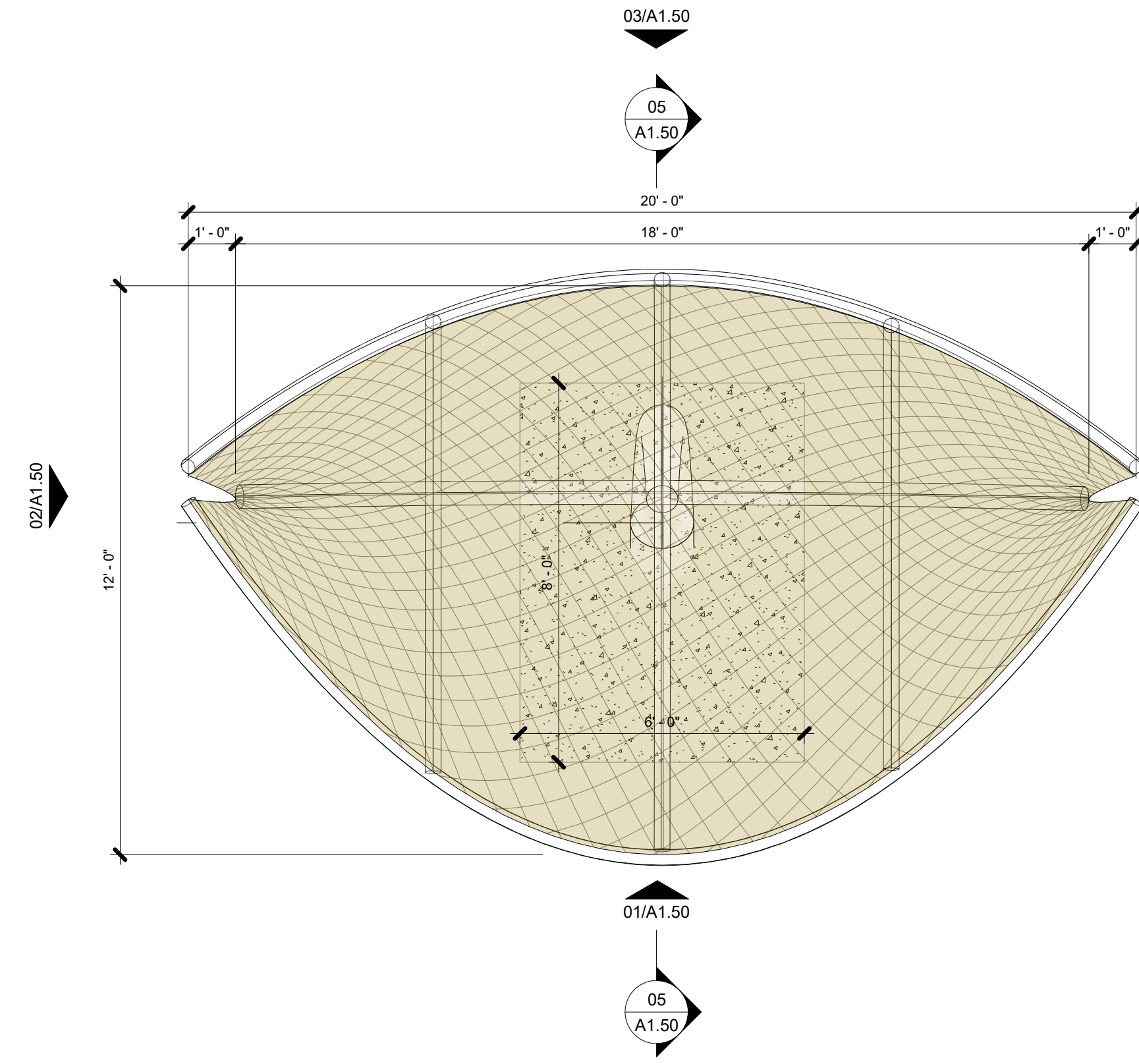
CASE # SP2021-0##

7/15/2021 6:06:46 PM BIM\_360//20205 - Channel Commercial Corporation/20205.002\_ARCH\_CHANNEL AMPHITHEATER + PAVILION\_R20.rvt

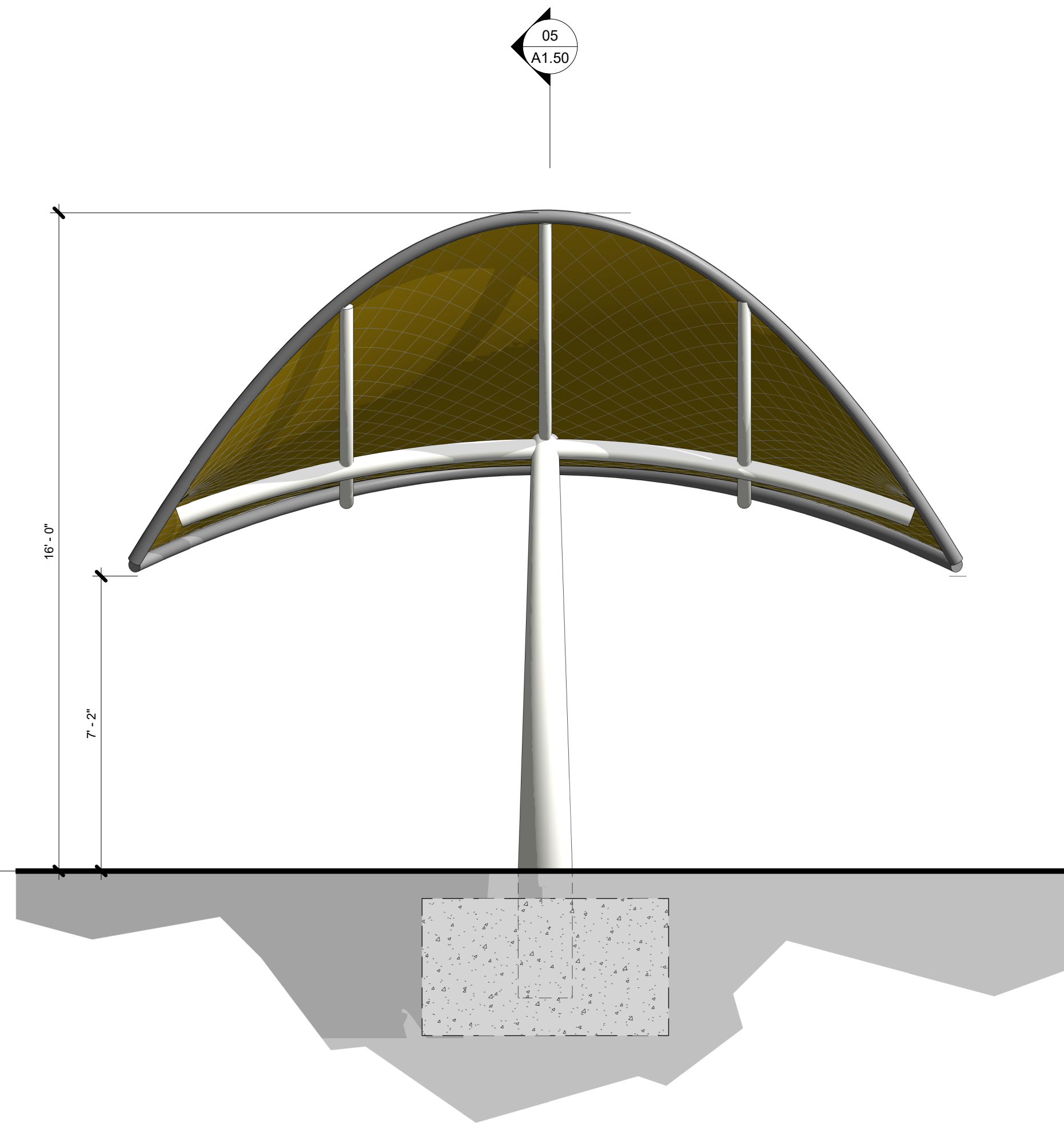
7/15/2021 6:06:51 PM BIM 360://20205 - Channel Commercial Corporation/20205.002\_ARCH\_CHANNEL AMPHITHEATER + PAVILION\_R20.rvt



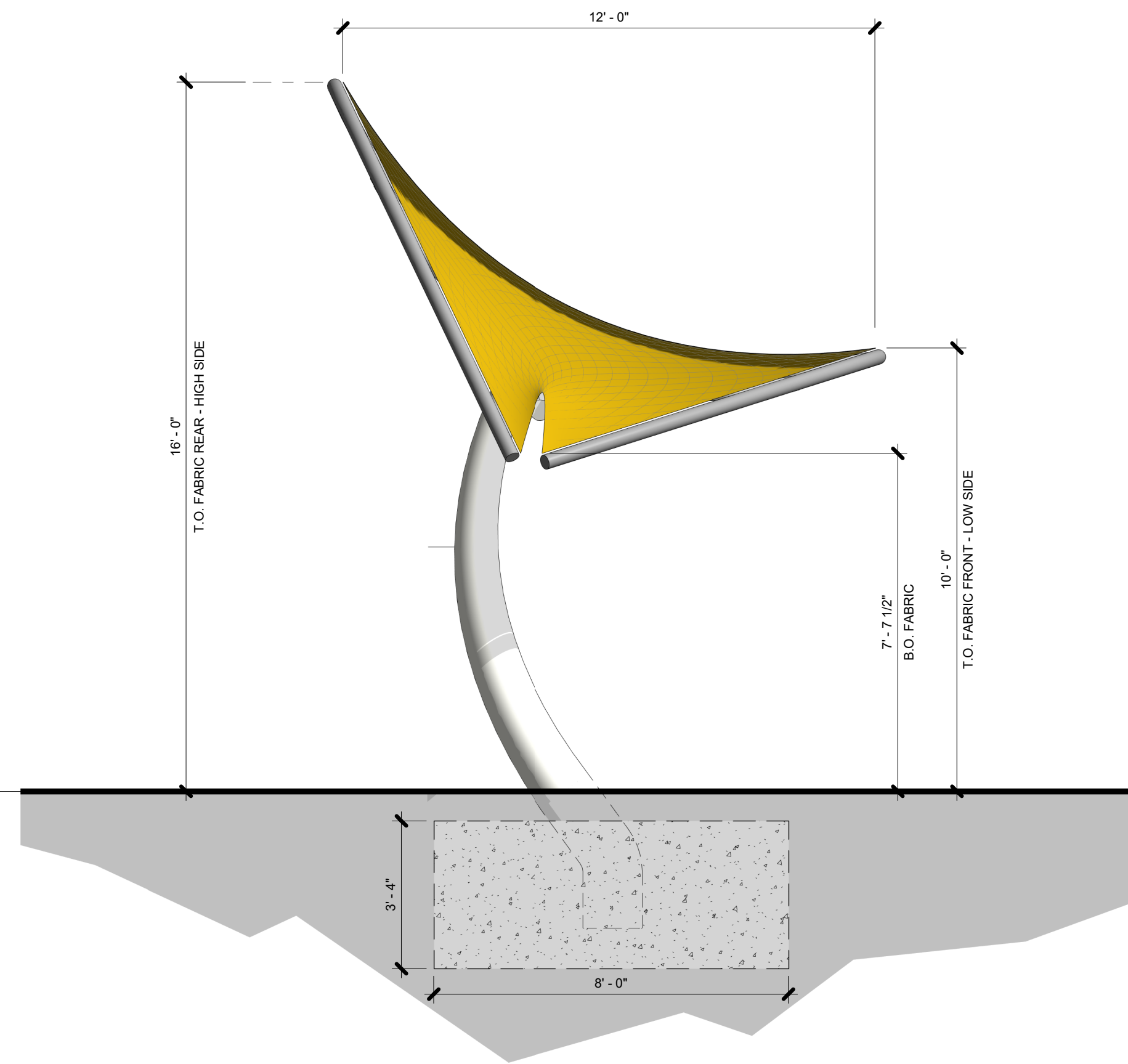
**05 SECTION**  
SCALE: 3/8" = 1'-0"



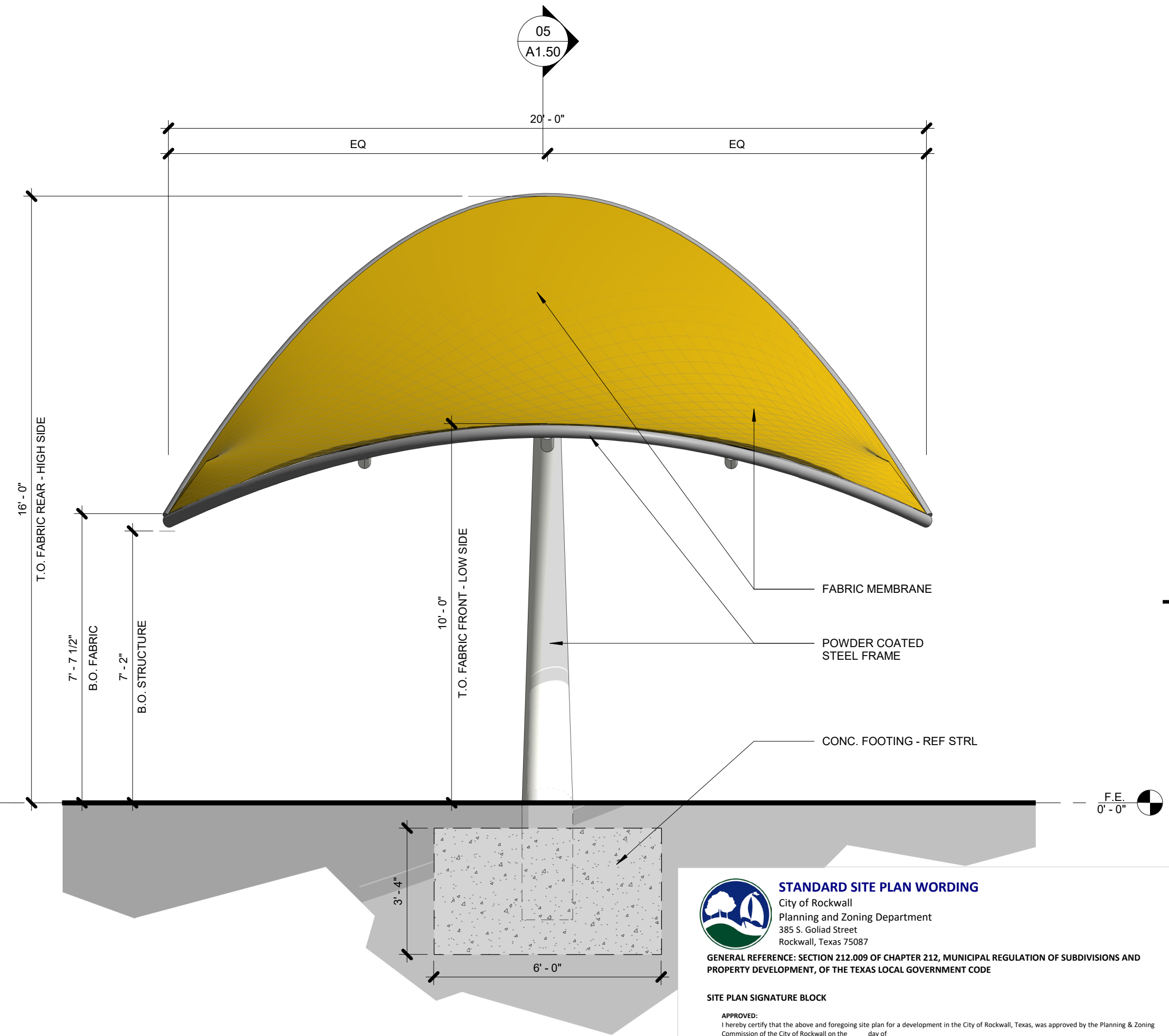
**04 PLAN**  
SCALE: 3/8" = 1'-0"



**03 REAR ELEVATION-HIGH SIDE**  
SCALE: 3/8" = 1'-0"



**02 SIDE ELEVATION**  
SCALE: 3/8" = 1'-0"



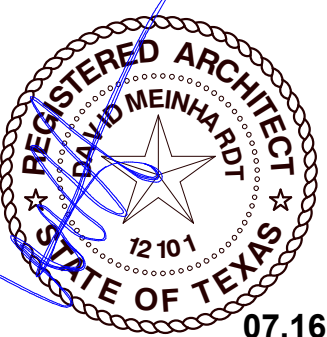
**01 FRONT ELEVATION-LOW SIDE**  
SCALE: 3/8" = 1'-0"

**STANDARD SITE PLAN WORDING**  
City of Rockwall  
Planning and Zoning Department  
385 S. Goliad Street  
Rockwall, Texas 75087  
GENERAL REFERENCE: SECTION 212.009 OF CHAPTER 212, MUNICIPAL REGULATION OF SUBDIVISIONS AND PROPERTY DEVELOPMENT, OF THE TEXAS LOCAL GOVERNMENT CODE  
SITE PLAN SIGNATURE BLOCK  
I hereby certify that the above and foregoing site plan for a development in the City of Rockwall, Texas, was approved by the Planning & Zoning Commission of the City of Rockwall on the \_\_\_\_\_ day of \_\_\_\_\_, 2021.  
WITNESS OUR HANDS, this \_\_\_\_\_ day of \_\_\_\_\_, 2021.  
\_\_\_\_\_  
Planning & Zoning Commission, Chairman  
\_\_\_\_\_  
Director of Planning and Zoning

REVISIONS

**CHANNELL CAMPUS IMPROVEMENTS**  
ROCKWALL, TEXAS  
1600 JUSTIN ROAD

**MEINHARDT & ASSOCIATES ARCHITECTS, P.L.L.C.**  
4400 DALLAS PARKWAY  
SUITE 500  
DALLAS TEXAS 75244  
P.O. BOX 4000

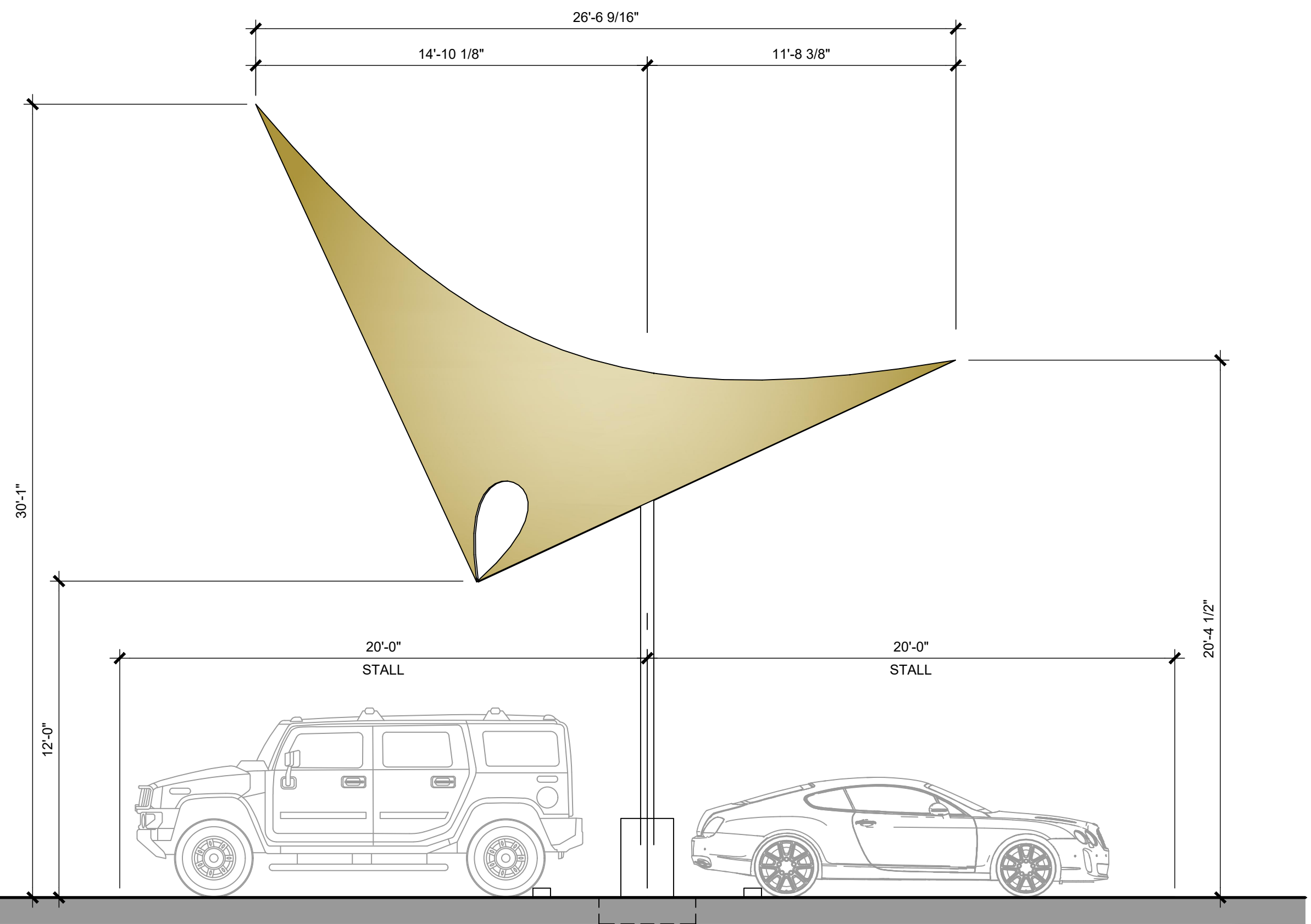
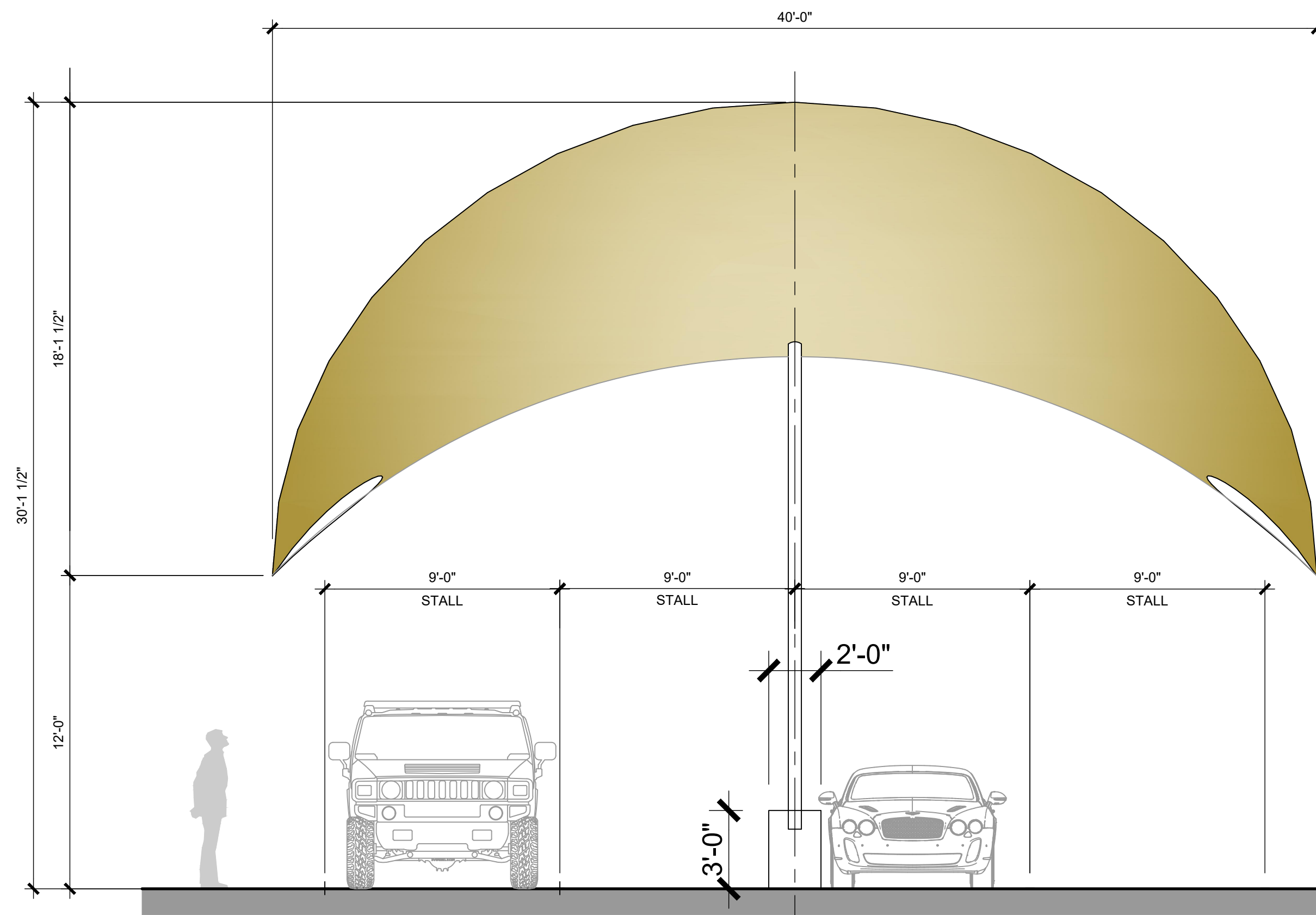
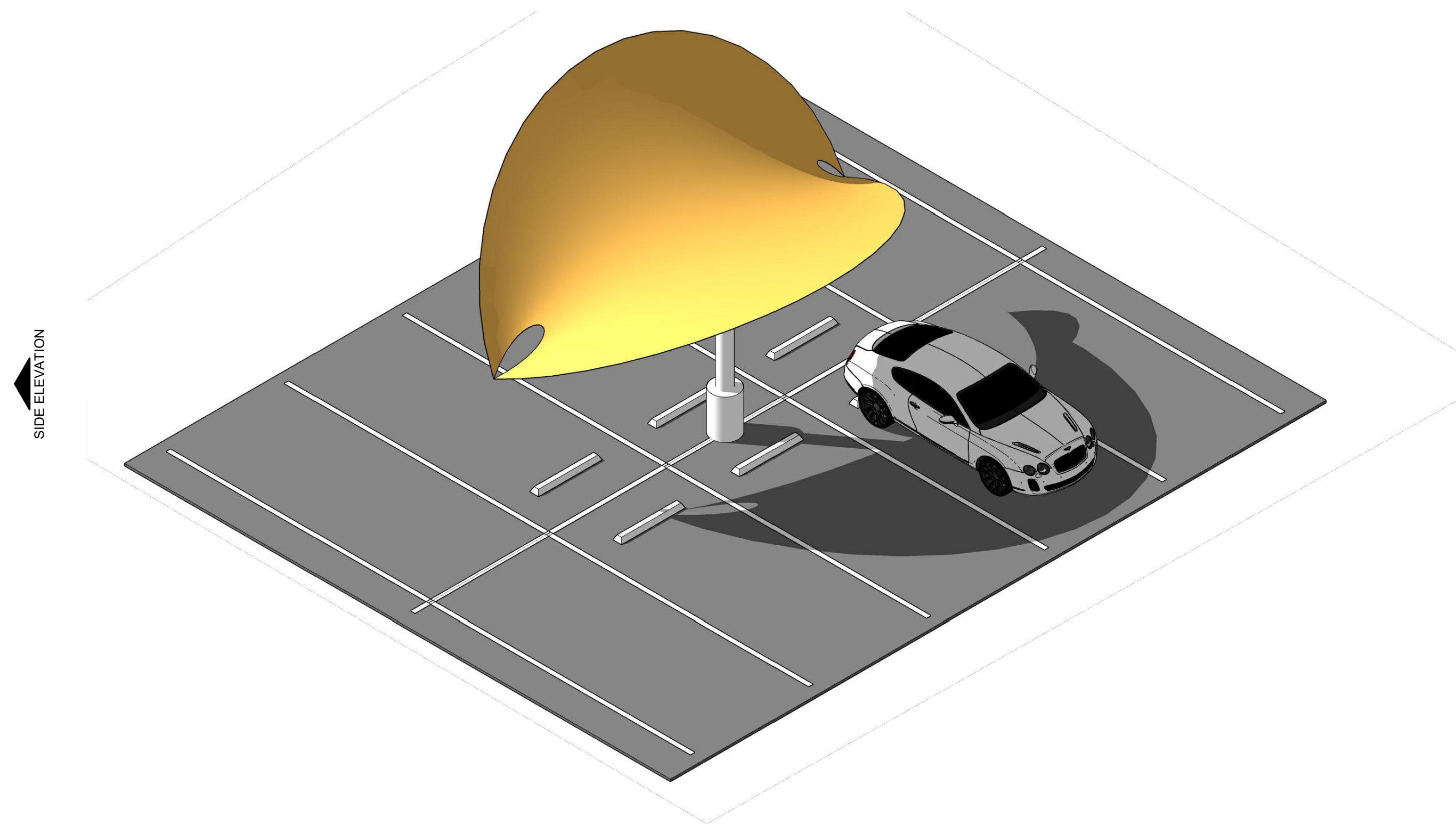
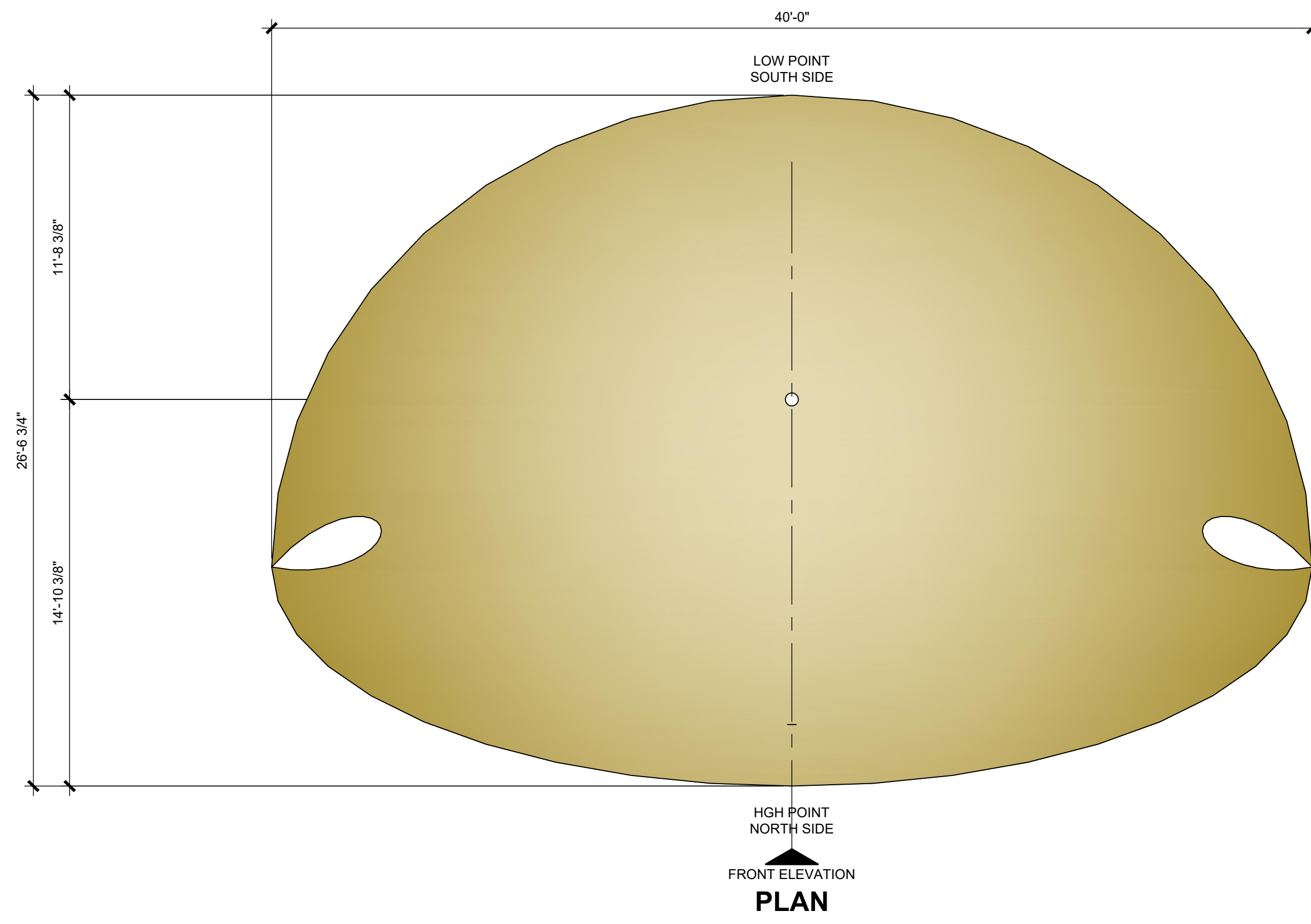


PROJECT NO: 20-205.002  
DATE: 07.16.2021  
DRAWN BY: DBC  
CHECKED BY: DDM  
SHEET: TENSILE SMALL

**A1.50**

CASE # SP2021-0##





FRONT ELEVATION

SIDE ELEVATION

**01 PARKING TENSILE**  
SCALE: 1/4" = 1'-0"

**STANDARD SITE PLAN WORDING**  
City of Rockwall  
Planning and Zoning Department  
385 S. Goliad Street  
Rockwall, Texas 75087

GENERAL REFERENCE: SECTION 212.009 OF CHAPTER 212, MUNICIPAL REGULATION OF SUBDIVISIONS AND PROPERTY DEVELOPMENT, OF THE TEXAS LOCAL GOVERNMENT CODE

SITE PLAN SIGNATURE BLOCK

APPROVED: \_\_\_\_\_  
I hereby certify that the above and foregoing site plan for a development in the City of Rockwall, Texas, was approved by the Planning and Zoning Commission of the City of Rockwall on the \_\_\_\_\_ day of \_\_\_\_\_, 2021.

WITNESS OUR HANDS, this \_\_\_\_\_ day of \_\_\_\_\_, 2021.

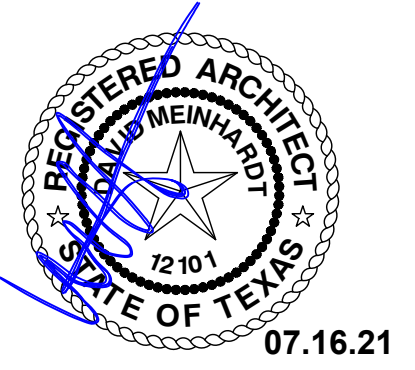
\_\_\_\_\_  
Planning and Zoning Commission, Chairman

\_\_\_\_\_  
Director of Planning and Zoning

REVISIONS:

**CHANNELL CAMPUS IMPROVEMENTS**  
ROCKWALL, TEXAS  
1700 JUSTIN ROAD

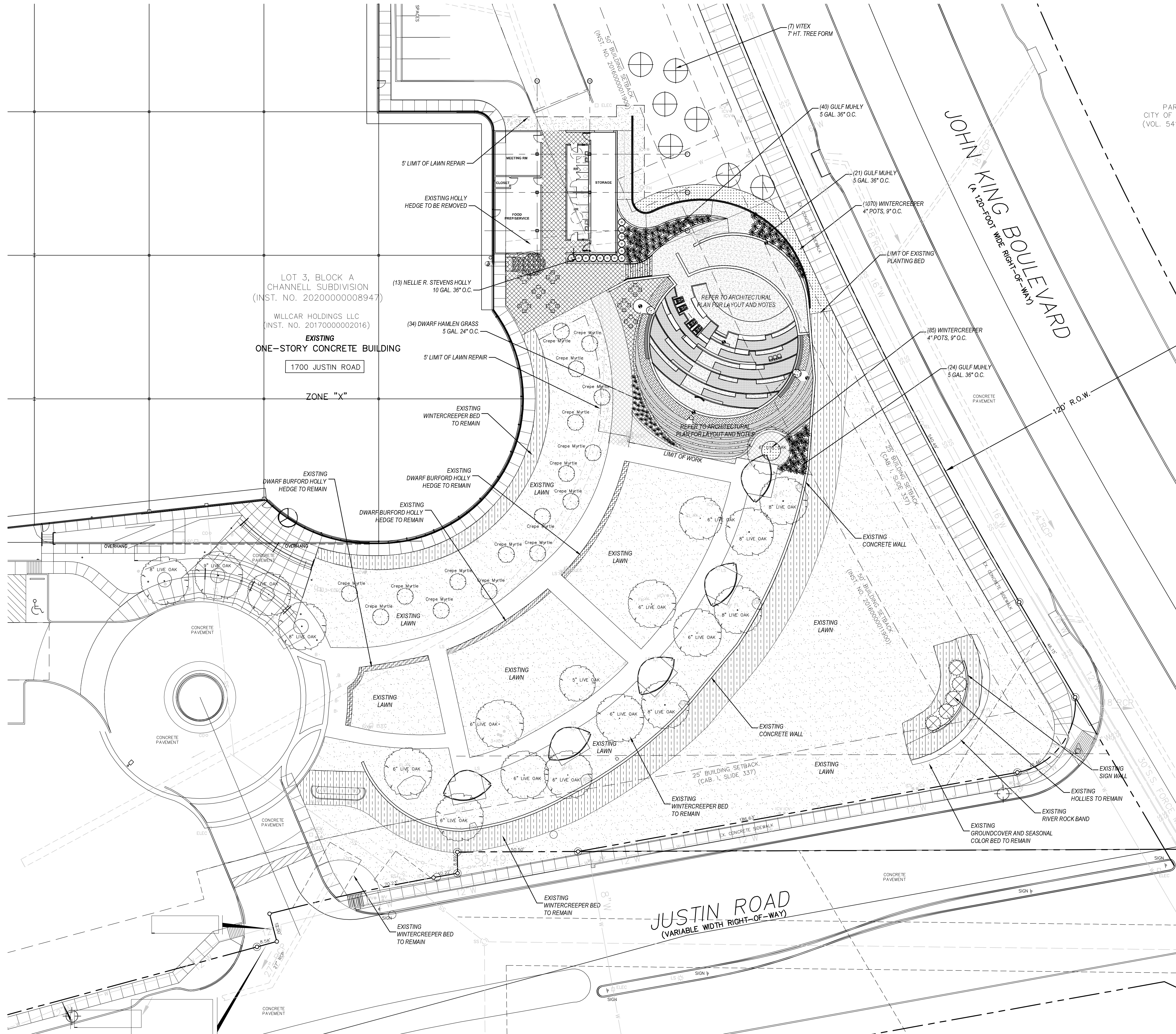
**MEINHARDT & ASSOCIATES ARCHITECTS, P.L.L.C.**  
1440 DALLAS PARKWAY  
SUITE 200  
DALLAS TEXAS 75244  
972.984.8800



PROJECT NO: 20-205  
DATE: 07.16.2021  
DRAWN BY: DBC  
CHECKED BY: ---  
SHEET: TENSILE PARKING SHADE

**A1.51**

CASE # SP2021-0##



**PLANT LIST**

TREES	QTY.	COMMON NAME	BOTANICAL NAME	SIZE	REMARKS
	11	Vitex	Vitex agnes-castes	7 HL	container grown, tree form, no cross carring

SHRUBS	QTY.	COMMON NAME	BOTANICAL NAME	SIZE	REMARKS
	34	Dwarf Hamlen Grass	Pennisetum sp. 'Dwarf Hamlen'	5 gal.	container, full top of container, 24" o.c.
	85	Gulf Muhly	Muhlenbergia capillaris	5 gal.	container, full top of container, 36" o.c.
	13	Nellie R. Stevens Holly	Ilex sp. 'Nellie R. Stevens'	10 gal.	container, full to base, 36" o.c.

GROUNDCOVERS	QTY.	COMMON NAME	BOTANICAL NAME	SIZE	REMARKS
	1155	Wintercreeper	Euonymus fortunei coloratus	4" pots	container, (3) 12" runners min. 9" o.c.
		Common Bermudagrass	Cynodon dactylon	roll sod	solid sod, refer to notes

NOTE: Plant list is an aid to bidders only. Contractor shall verify all quantities on plan. All heights and spreads are minimums. All plant material shall meet or exceed remarks as indicated. All trees to have straight trunks and be matching within varieties.

- LANDSCAPE NOTES**
- Contractor shall verify all existing and proposed site elements and notify Architect of any discrepancies. Survey data of existing conditions was supplied by others.
  - Contractor shall locate all existing underground utilities and notify Architect of any conflicts. Contractor shall exercise caution when working in the vicinity of underground utilities.
  - Contractor is responsible for obtaining all required landscape and irrigation permits.
  - Contractor to provide a minimum 2% slope away from all structures.
  - All planting beds and lawn areas to be separated by steel edging. No steel to be installed adjacent to sidewalks or curbs.
  - All landscape areas to be 100% irrigated with an underground automatic irrigation system and shall include rain and freeze sensors.
  - All lawn areas to be Solid Sod Bermudagrass, unless otherwise noted on the drawings.

- MAINTENANCE NOTES**
- All landscape shall be maintained in a neat and orderly manner at all times. This shall include mowing, edging, pruning, fertilizing, watering, weeding and other such activities common to landscape maintenance.
  - All landscape areas shall be kept free of trash, litter, weeds and other such material or plants not part of this plan.
  - All plant material shall be maintained in a healthy and growing condition as is appropriate for the season of the year.
  - All plant material which dies shall be replaced with plant material of equal or better value.

- GENERAL LAWN NOTES**
- Fine grade areas to achieve final contours indicated on civil plans.
  - Adjust contours to achieve positive drainage away from buildings. Provide uniform rounding at top and bottom of slopes and other breaks in grade. Correct irregularities and areas where water may stand.
  - All lawn areas to receive solid sod shall be left in a maximum of 1" below final finish grade. Contractor to coordinate operations with on-site Construction Manager.
  - Imported topsoil shall be natural, friable soil from the region known as bottom and soil free from lumps, clay, toxic substances, roots, debris, vegetation, stones, containing no salt and black to brown in color.
  - All lawn areas to be fine graded, irrigation trenches completely settled, and finish grade approved by the Owner's Construction Manager or Architect prior to installation.
  - All rocks 3/4" diameter and larger, dirt clods, sticks, concrete spoils, etc. shall be removed prior to placing topsoil and any lawn installation.
  - Contractor shall provide (1") one inch of imported topsoil on all areas to receive lawn.

- IRRIGATION REPAIR SPECIFICATIONS**
- Contractor shall perform site visit prior to bidding and construction, to review extent of existing irrigation system.
  - Contractor shall be responsible for verifying conditions of existing irrigation system. Contractor shall be responsible for maintaining the integrity of existing irrigation where possible, and if not, repair as needed, including but not limited to irrigation controller, meter, sleeving, etc.

- LAWN REPAIR NOTES**
- All lawn areas damaged during construction to be repaired with solid sod and raked free of debris.
  - Adjust damaged areas to achieve positive drainage away from buildings. Provide uniform rounding at top and bottom of slopes and other breaks in grade. Correct irregularities and areas where water may stand.
  - All areas to be repaired must be planted by hand to cover area completely. Insear edges of sod are touching. Trap dress joints by hand with compost to fill voids.
  - Roll repaired areas to achieve a smooth, even surface, free from unnatural undulations.

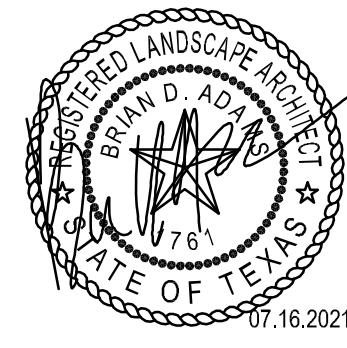
smr  
landscape architects, inc.  
1708 N. Griffin Street  
Dallas, Texas 75202  
Tel: 214.871.0283  
Fax: 214.871.0545  
Email: smr@smr-a.com



**01 LANDSCAPE PLAN**  
SCALE: 1" = 20'-0"

**CHANNELL CAMPUS IMPROVEMENTS**  
ROCKWALL, TEXAS

MEINHARDT & ASSOCIATES  
ARCHITECTS, P.L.L.C.



PROJECT NO: 20-205-002  
DATE: 07.16.2021  
DRAWN BY: BDA  
CHECKED BY: BDA  
SHEET: SITE PLAN

**L1.01**

SECTION 02900 - LANDSCAPE

PART 1 - GENERAL

1.1 REFERENCE DOCUMENTS

Refer to bidding requirements, special provisions, and schedules for additional requirements.

1.2 DESCRIPTION OF WORK

Work included: Furnish all supervision, labor, materials, services, equipment and appliances required to complete the work covered in conjunction with the landscaping covered in these specifications and landscaping plans, including:

1. Planting (trees, shrubs, and grass)
2. Bed preparation and fertilization
3. Notification of sources
4. Water and Maintenance until final acceptance
5. Guarantee

1.3 REFERENCE STANDARDS

- A. American Standard for Nursery Stock published by American Association of Nurserymen: 27 October 1990, Edition; by American National Standards Institute, Inc. (Z60.1) - plant material.
- B. American Joint Committee on Horticultural Nomenclature: 1942 Edition of Standardized Plant Names.
- C. Texas Association of Nurserymen, Grades and Standards.
- D. Hortis Third, 1976 - Cornell University

1.4 NOTIFICATION OF SOURCES AND SUBMITTALS

- A. The Contractor shall, within ten (10) days following acceptance of bid, notify the Architect/Owner of the sources of plant materials and bed preparation required for the project.
- B. Samples: Provide representative quantities of sandy loam soil, mulch, bed mix material, gravel, and crushed stone. Samples shall be approved by Architect before use on project.
- C. Product Data: Submit complete product data and specifications on all other specified materials.
- D. Submit three representative samples of each variety of ornamental trees, shrubs, and groundcover plants for Architect's approval. When approved, tag, install, and maintain as representative samples for final installed plant materials.
- E. File Certificates of Inspection of plant material by state, county, and federal authorities with Architect, if required.
- F. Soil Analysis: Provide sandy loam soil analysis if requested by the Architect.

PART 3 - EXECUTION

3.1 BED PREPARATION & FERTILIZATION

- A. Landscape Contractor to inspect all existing conditions and report any deficiencies to the Owner.
- B. All planting areas shall be conditioned as follows:
  1. Prepare new planting beds by scraping away existing grass and weeds as necessary. Till existing soil to a depth of six (6") inches prior to placing compost and fertilizer. Apply fertilizer as per manufacturer's recommendations. Add six (6") inches of compost and till into a depth of six (6") inches of the topsoil. Apply organic fertilizer such as Sustane or Green Sense at the rate of twenty (20) pounds per one thousand (1,000) square feet.
  2. All planting areas shall receive a two (2") inch layer of specified mulch.
  3. Backfill for tree pits shall be as follows: Use existing top soil on site (use imported topsoil as needed) free from large clumps, rocks, debris, caliche, subsoils, etc., placed in nine (9") inch layers and watered in thoroughly.
- C. Grass Areas:
  1. Areas to be Solid Sod Bermudagrass: Blocks of sod should be laid joint to joint, (staggered joints) after fertilizing the ground first. Roll grass areas to achieve a smooth, even surface. The joints between the blocks of sod should be filled with topsoil where they are evidently gaped open, then watered thoroughly.
  2. Areas to be Hydromulch Common Bermudagrass: Hydromulch with bermudagrass seed at a rate of two (2) pounds per one thousand (1,000) square feet. Use a 4' x 8' board against the bed areas.

3.2 INSTALLATION

- A. Maintenance of plant materials shall begin immediately after each plant is delivered to the site and shall continue until all construction has been satisfactorily accomplished.
- B. Plant materials shall be delivered to the site only after the beds are prepared and area ready for planting. All shipments of nursery materials shall be thoroughly protected from the drying winds during transit. All plants which cannot be planted at once, after delivery to the site, shall be well protected against the possibility of drying by wind and sun. Balls of earth of B & B plants shall be kept covered with soil or other acceptable material. All plants remain the property of the Contractor until final acceptance.
- C. Position the trees and shrubs in their intended location as per plan.
- D. Notify the Landscape Architect for inspection and approval of all positioning of plant materials.
- E. Excavate pits with vertical sides and horizontal bottom. Tree pits shall be large enough to permit handling and planting without injury to balls of earth or roots and shall be of such depth that, when planted and settled, the crown of the plant shall bear the same relationship to the finish grade as it did to soil surface in original place of growth.

JOB CONDITIONS

- A. General Contractor to complete the following punch list: Prior to Landscape Contractor initiating any portion of landscape installation, General Contractor shall leave planting bed areas three (3") inches below finish grade of sidewalks, drives and curbs as shown on the drawings. All lawn areas to receive solid sod shall be left one (1") inch below the finish grade of sidewalks, drives, and curbs. All construction debris shall be removed prior to Landscape Contractor beginning any work.
- B. General Contractor shall provide topsoil as described in Section 02200 - Earthwork.
- C. Storage of materials and equipment at the job site will be at the risk of the Landscape Contractor. The Owner cannot be held responsible for theft or damage.

1.6 MAINTENANCE AND GUARANTEE

- A. Maintenance:
  1. The Landscape Contractor will be held responsible for the maintenance of all work from the time of planting until final acceptance by the Owner. No trees, shrubs, groundcover or grass will be accepted unless they show a healthy growth and satisfactory foliage conditions.
  2. Maintenance shall include watering of trees and plants, cultivation, weeding, spraying, edging, pruning of trees, mowing of grass, cleaning up and all other work necessary of maintenance.
  3. A written notice requesting final inspection and acceptance should be submitted to the Owner at least seven (7) days prior to completion. An on-site inspection by Owner and Landscape Contractor will be completed prior to written acceptance.
  4. After final acceptance of installation, the Landscape Contractor will not be required to do any of the above listed work.
- B. Guarantee:
  1. Trees shall be guaranteed for a twelve (12) month period after acceptance. Shrubs and groundcover shall be guaranteed for twelve (12) months. The Contractor shall replace all dead materials as soon as weather permits and upon notification of the Owner. Plants, including trees, which have partially died so that shape, size, or symmetry has been damaged, shall be considered subject to replacement. In such cases, the opinion of the Owner shall be final.
    - a. Plants used for replacement shall be of the same size and kind as those originally planted and shall be planted as originally specified. All work, including materials, labor and equipment used in replacements, shall carry a twelve (12) month guarantee. Any damage, including ruts in lawn or bed areas, incurred as a result of making replacements shall be immediately repaired.
    - b. At the direction of the Owner, plants may be replaced at the start of the next year's planting season. In such cases, dead plants shall be removed from the premises immediately.
    - c. When plant replacements are made, plants, soil mix, fertilizer and mulch are to be utilized as originally specified and reinspected for full compliance with Contract requirements. All replacements are to be included under "Work" of this section.

1.7 QUALITY ASSURANCE

- A. General: Comply with applicable Federal, State, County and Local regulations governing landscape materials and work.
- B. Personnel: Employ only experienced personnel who are familiar with the required work. Provide full time supervision by a qualified foreman acceptable to Landscape Architect.
- C. Selection of Plant Material:
  1. Make contact with suppliers immediately upon obtaining notice of contract acceptance to select and book materials. Develop a program of maintenance (pruning and fertilization) which will insure the purchased materials will meet and/or exceed project specifications.
  2. Landscape Architect will provide a key identifying each tree location on site. Written verification will be required to document material selection, source and delivery schedules to site.
  3. Owner and/or Architect shall inspect all plant materials when reasonable all place of growth for compliance with requirements for genus, species, cultivar/variety, size and quality.
  4. Owner and/or Architect retains the right to further inspect all plant material upon arrival at the site and during installation for size and condition of root balls, limbs, branching habit, insects, injuries, and latent defects.
  5. Owner and/or Architect may reject unsatisfactory or defective material at any time during the process of work. Remove rejected materials from the site immediately. Plants damaged in transit or at job site shall be rejected.

1.8 PRODUCT DELIVERY, STORAGE AND HANDLING

- A. Preparation:
  1. Balled and Burlapped (B&B) Plants: Dig and prepare shipment in a manner that will not damage roots, branches, shape, and future development.
  2. Container Grown Plants: Deliver plants in rigid container to hold ball shape and protect root mass.

2.2 SOIL PREPARATION MATERIALS

- A. Sandy Loam:
  1. Friable, fertile, dark, loamy soil, free of clay lumps, subsoil, stones and other extraneous material and reasonably free of weeds and foreign grasses. Loam containing Dallagrass or Nutgrass shall be rejected.
  2. Physical properties as follows:
    - Clay - between 7-27 percent
    - Silt - between 15-25 percent
    - Sand - less than 52 percent
  3. Organic matter shall be 3%-10% of total dry weight.
  4. If requested, provide a certified soil analysis conducted by an approved soil testing laboratory verifying that sandy loam meets the above requirements.
- B. Organic Material: Compost with a mixture of 80% vegetative matter and 20% animal waste. Ingredients should be a mix of course and fine textured material.
- C. Premixed Bedding Soil as supplied by Vital Earth Resources, Gladewater, Texas; Professional Bedding Soil as supplied by Living Earth Technology, Dallas, Texas or Acid Gro Municipal Mix as supplied by Soil Building Systems, Dallas, Texas or approved equal.
- D. Sharp Sand: Sharp sand must be free of seeds, soil particles and weeds.
- E. Mulch: Double Shredded Hardwood Mulch, partially decomposed, dark brown. Living Earth Technologies or approved equal.
- F. Organic Fertilizer: FertiLid, Sustane, or Green Sense or equal as recommended for required applications. Fertilizer shall be delivered to the site in original unopened containers, each bearing the manufacturer's guaranteed statement of analysis.

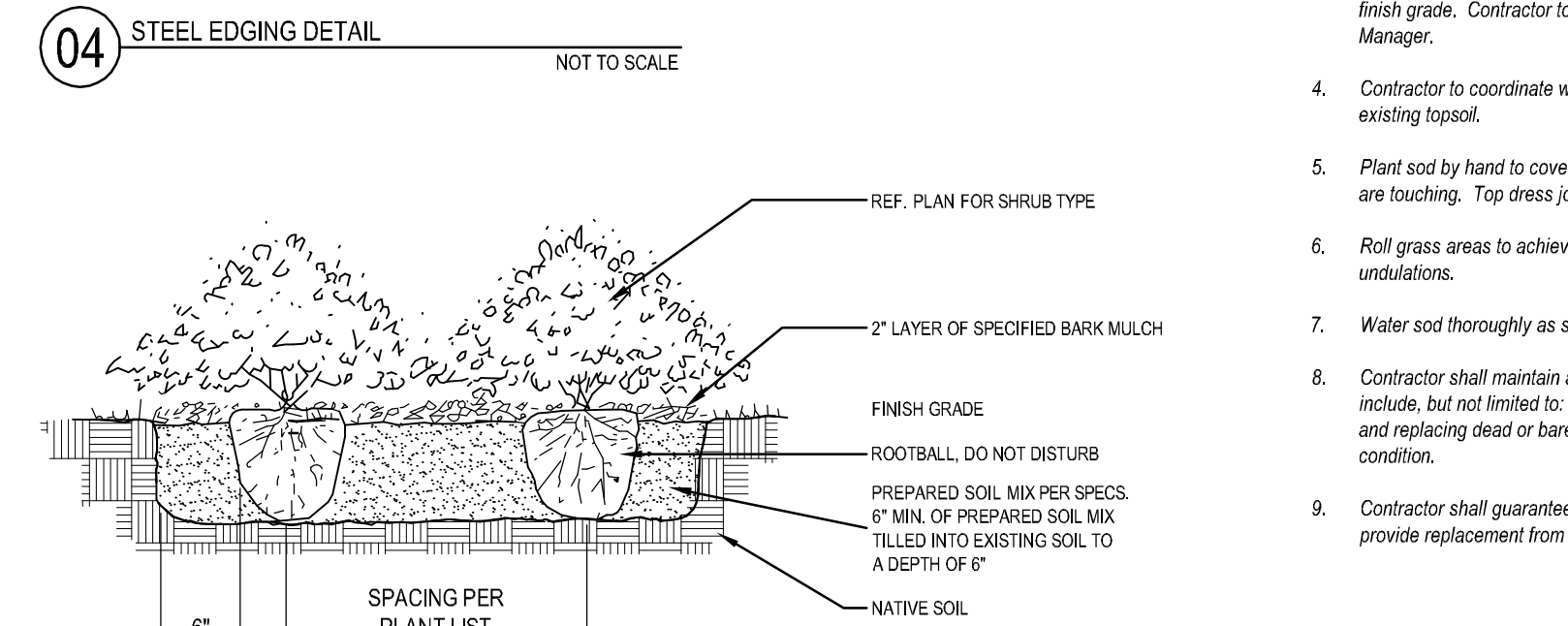
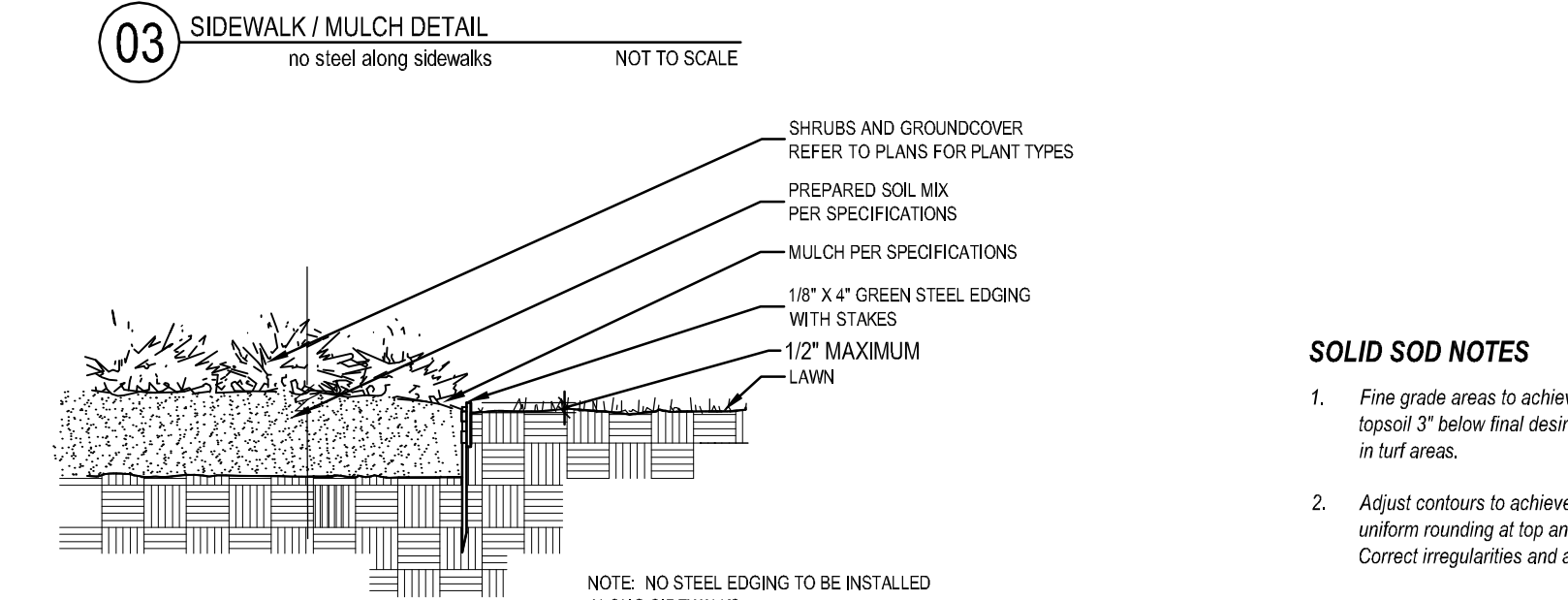
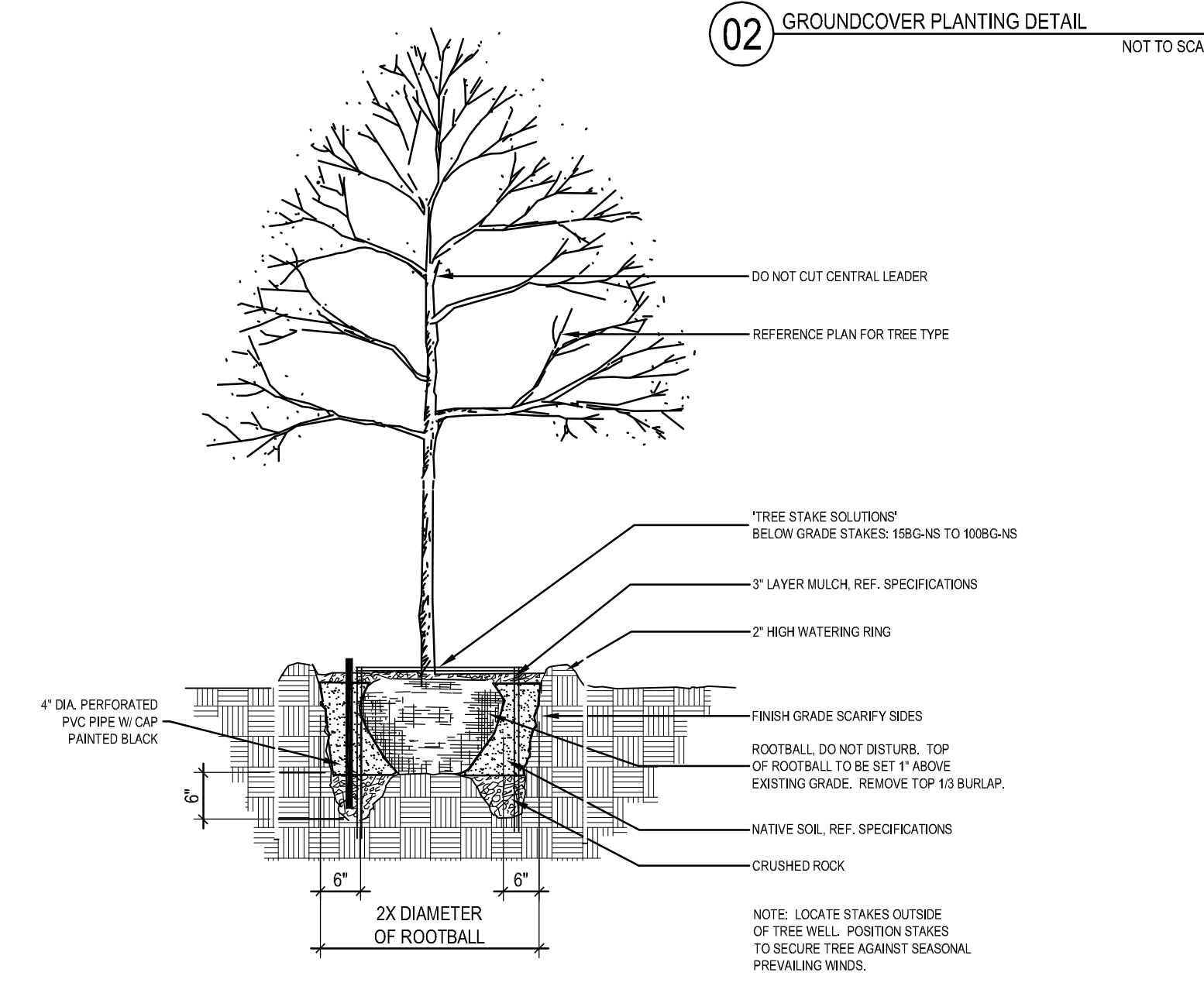
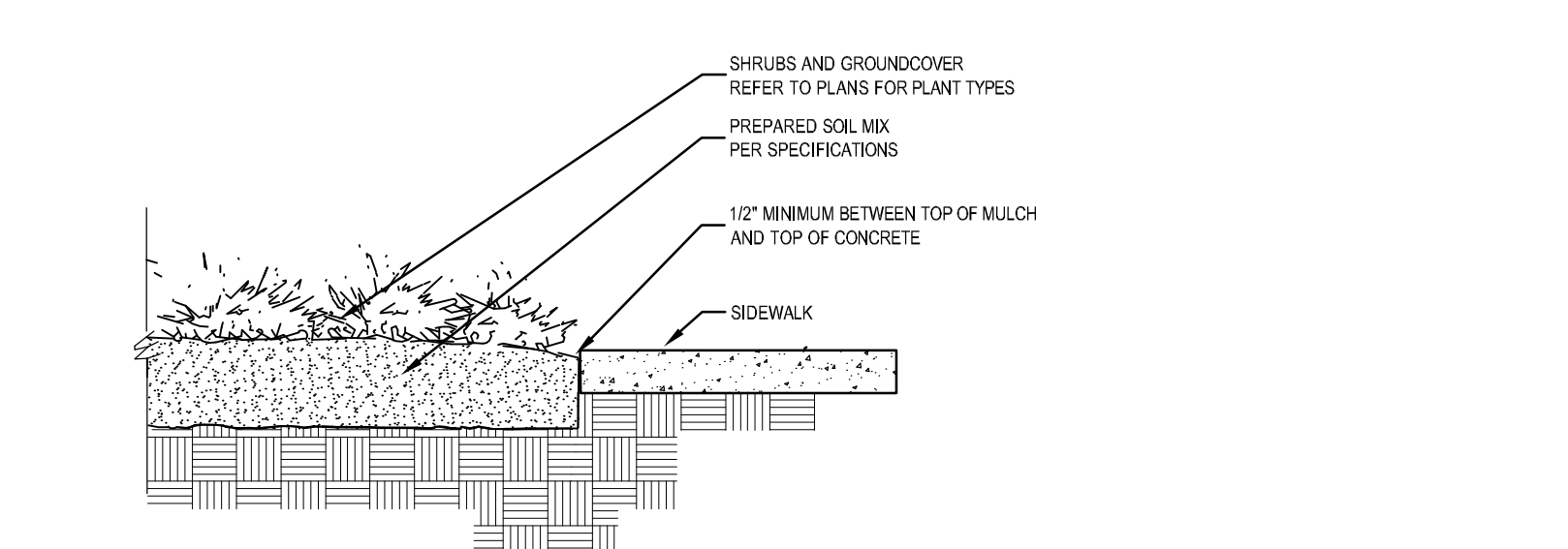
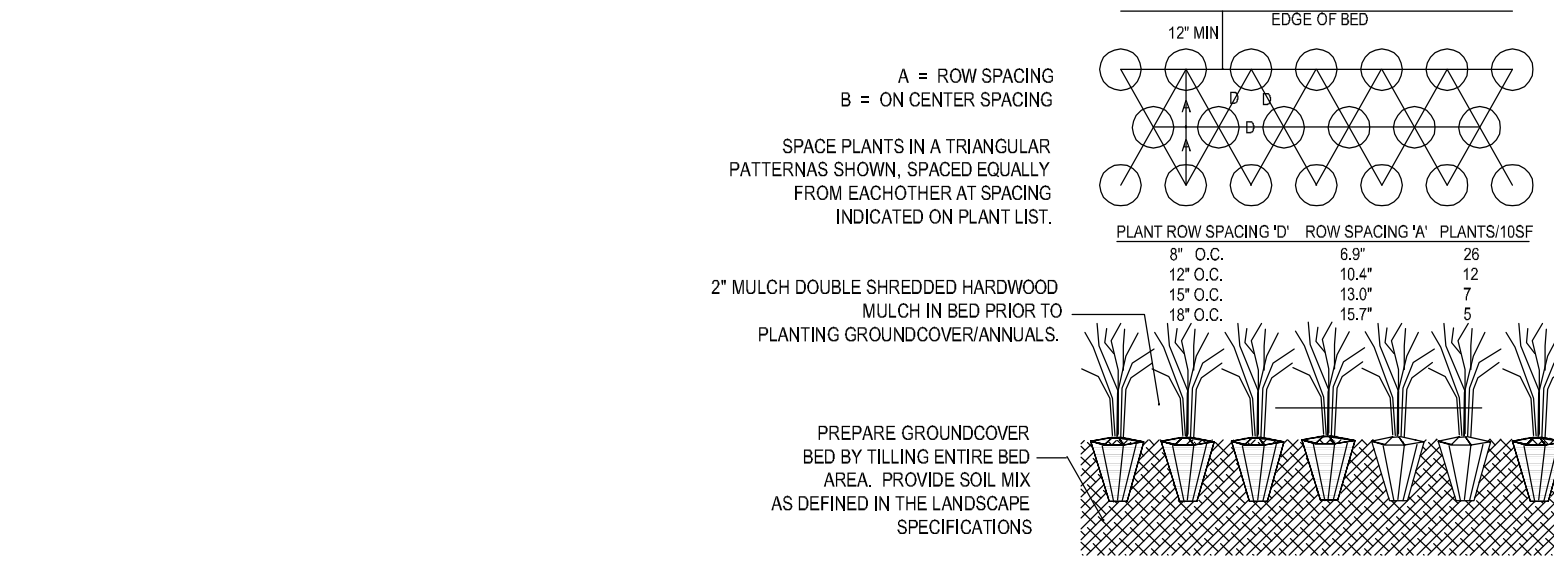
2.3 MISCELLANEOUS MATERIALS

- A. Steel Edging: Shall be Ryerson "Estate Curbing", 1/8" x 4" with stakes 4' on center.
- B. Staking Material for Shade Trees:
  1. Post: Studded T-Post, #1 Armo with anchor plate, 6'-0" length; paint green.
  2. Wire: 12 gauge, single strand, galvanized wire.
  3. Rubber hose: 2 ply, fiber reinforced hose, minimum 1/2 inch inside diameter. Color: Black.
- C. Gravel: Washed native pea gravel, graded 1 in. to 1-1/2 in.
- D. Filter Fabric: Mirafi 140N by Celanese Fibers Marketing Company, available at Loftland Co., (214) 631-5250 or approved equal.

- F. Shrub and tree pits shall be no less than two (2) feet, twenty-four (24") inches, wider than the lateral dimension of earth ball and six (6") inches deeper than it's vertical dimension. Remove and haul from site all rocks and stones over one (1") inch in diameter.
- G. Dig a wide, rough sided hole exactly the same depth as the height of the ball, especially at the surface of the ground. The sides of the hole should be rough and jagged, never slick or glazed.
- H. Percolation Test: Fill the hole with water. If the water level does not percolate within 24 hours, the tree needs to move to another location or have drainage added. Install a PVC stand pipe per tree planting detail as approved by the Landscape Architect.
- I. Backfill only with 5 parts existing soil or sandy loam and 1 part bed preparation. When the hole is dug in solid rock, topsoil from the same area should not be used. Carefully settle by watering to prevent air pockets. Remove the burtop from the top 1/3 of the ball, as well as all nylon, plastic string and wire mesh. Container trees will usually be pot bound, if so follow standard nursery practice of "root scoring".
- J. Do not wrap trees.
- K. Do not over prune.
- L. Mulch the top of the ball. Do not plant grass all the way to the trunk of the tree. Leave the area above the top of the ball and mulch with at least two (2") inches of specified mulch.
- M. All plant beds and trees to be mulched with a minimum settled thickness of two (2") inches over the entire bed or pit.
- N. Obstruction below ground: In the event that rock, or underground construction work or obstructions are encountered in any plant pit excavation work to be done under this section, alternate locations may be selected by the Owner. Where locations cannot be changed, the obstructions shall be removed to a depth of not less than three (3) feet below grade and no less than six (6") inches below the bottom of ball when plant is properly set at the required grade. The work of this section shall include the removal from the site of such rock or underground obstructions encountered at the cost of the Landscape Contractor.
- O. Trees and large shrubs shall be staked as site conditions require. Position stakes to secure tree against seasonal prevailing winds.
- P. Pruning and Mulching: Pruning shall be directed by the Architect and shall be pruned in accordance with standard horticultural practice following Fine Pruning, Class I pruning standards provided by National Arborist Association.
  1. Dead wood or suckers and broken badly bruised branches shall be removed. General tipping of the branches is not permitted. Do not cut terminal branches.
  2. Pruning shall be done with clean, sharp tools.
  3. Immediately after planting operations are completed, all tree pits shall be covered with a layer of organic material two (2") inches in depth. This limit of the organic material
- Q. Steel Curbing Installation:
  1. Curbing shall be aligned as indicated on plans. Stake out limits of steel curbing and obtain Owners approval prior to installation.
  2. All steel curbing shall be free of kinks and abrupt bends.
  3. Top of curbing shall be 3/4" maximum height above grade.

3.3 CLEANUP AND ACCEPTANCE

- A. Cleanup: During the work, the premises shall be kept neat and orderly at all times. Storage areas for all materials shall be so organized that they, too, are neat and orderly. All trash and debris shall be removed from the site as work progresses. Keep paved areas clean by sweeping or hosing at end of each days work.



SOLID SOD NOTES

1. Fine grade areas to achieve final contours indicated. Leave areas to receive topsoil 3" below final desired grade in planting areas and 1" below final grade in turf areas.
2. Adjust contours to achieve positive drainage away from buildings. Provide uniform rounding at top and bottom of slopes and other breaks in grade. Correct irregularities and areas where water may stand.
3. All lawn areas to receive solid sod shall be left in a maximum of 1" below final finish grade. Contractor to coordinate operations with on-site Construction Manager.
4. Contractor to coordinate with on-site Construction Manager for availability of existing topsoil.
5. Plant sod by hand to cover indicated area completely. Insure edges of sod are touching. Top dress joints by hand with topsoil to fill voids.
6. Roll grass areas to achieve a smooth, even surface, free from unnatural undulations.
7. Water sod thoroughly as sod operation progresses.
8. Contractor shall maintain all lawn areas until final acceptance. This shall include, but not limited to: mowing, watering, weeding, cultivating, cleaning and replacing dead or bare areas to keep plants in a vigorous, healthy condition.
9. Contractor shall guarantee establishment of an acceptable turf area and shall provide replacement from local supply if necessary.

**CHANNEL CAMPUS IMPROVEMENTS**  
 ROCKWALL, TEXAS  
 1700 JUSTIN ROAD

MEINHARDT & ASSOCIATES  
 ARCHITECTS, P.L.L.C.  
 1700 JUSTIN ROAD  
 ROCKWALL, TEXAS 75087

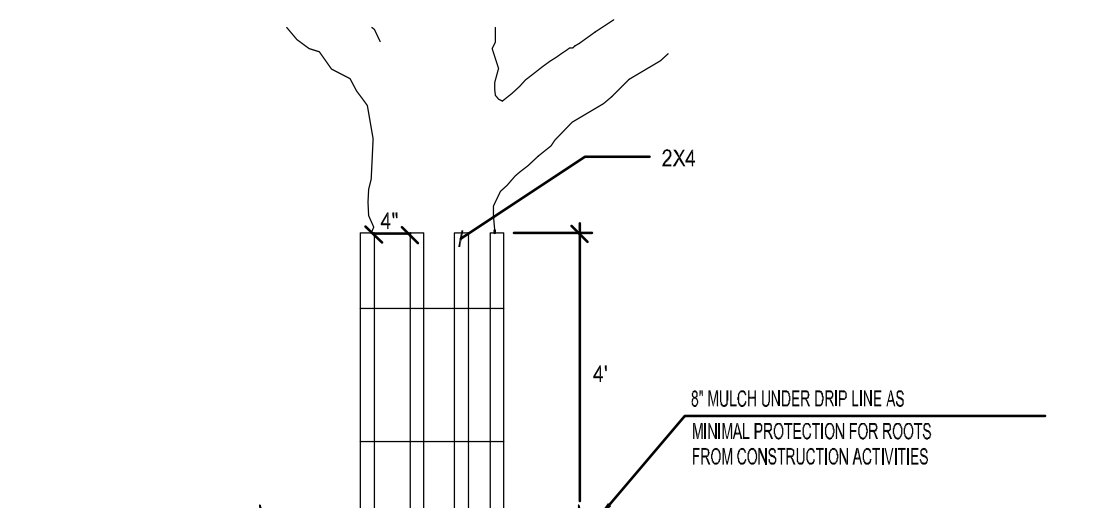
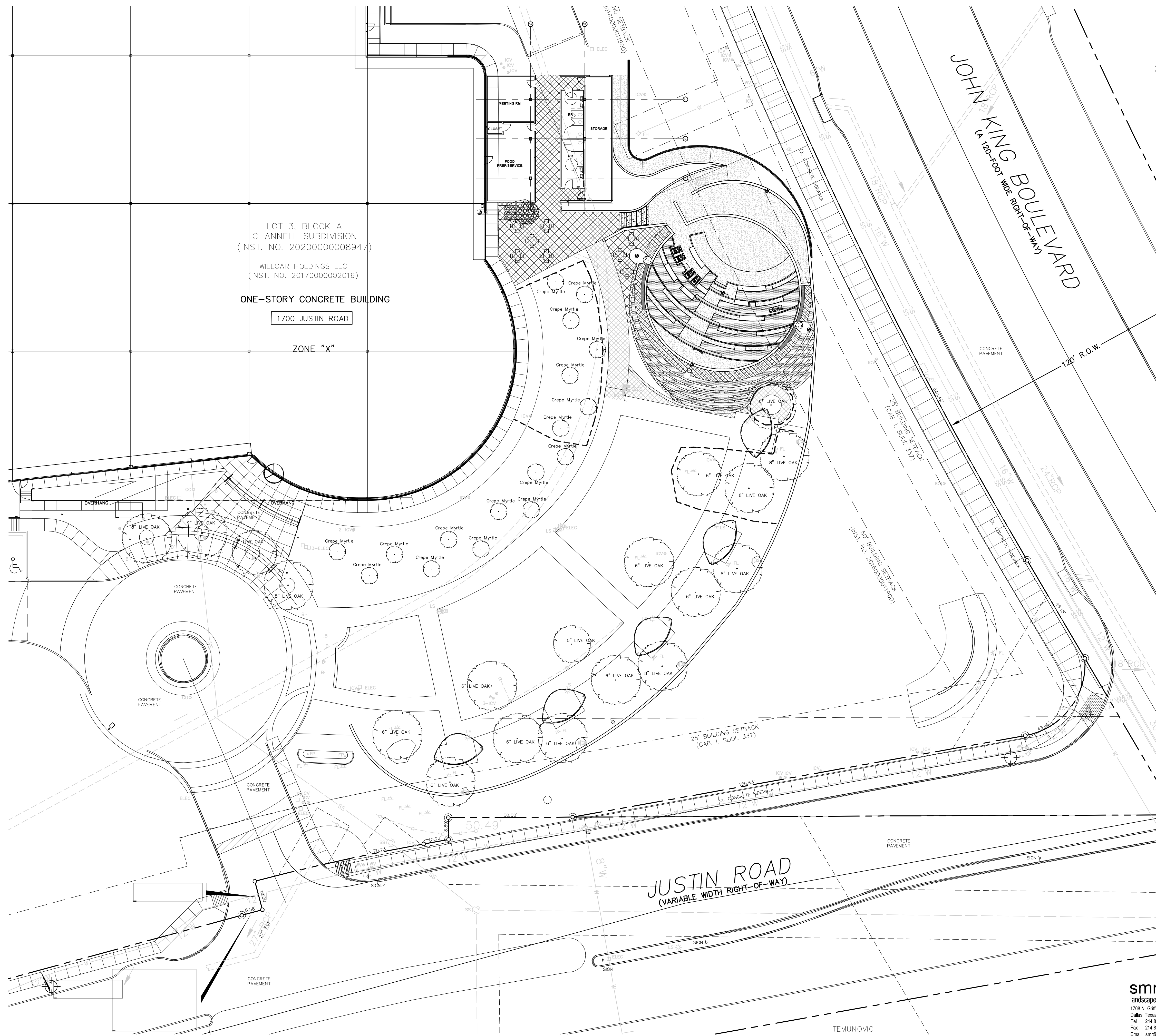
B. ADKINS  
 LANDSCAPE ARCHITECT  
 STATE OF TEXAS  
 07.16.2021

**smr**  
 landscape architects, inc.  
 1708 N. Griffin Street  
 Dallas, Texas 75202  
 Tel: 214.871.0383  
 Fax: 214.871.0545  
 Email: smr@smr-ia.com

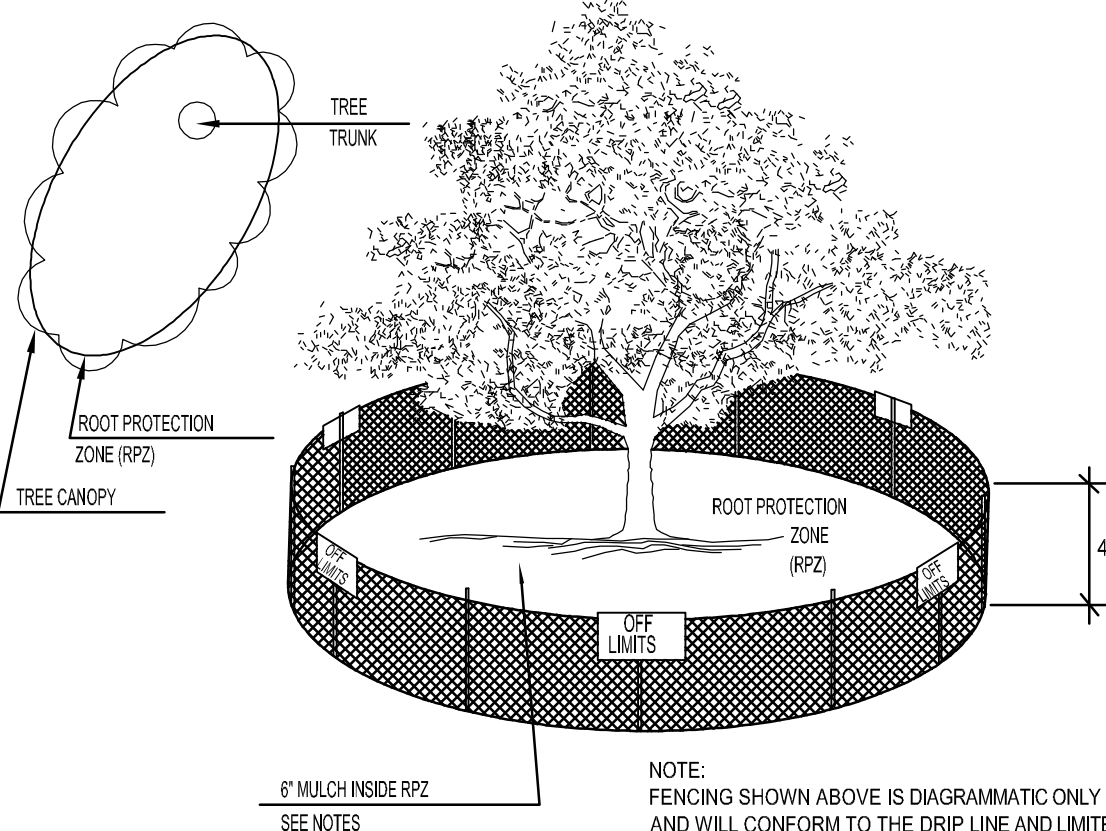
PROJECT NO: 20-205.002  
 DATE: 07.16.2021  
 DRAWN BY: BDA  
 CHECKED BY: BDA  
 SHEET: SITE PLAN

**L1.02**

CASE # S2021-08#

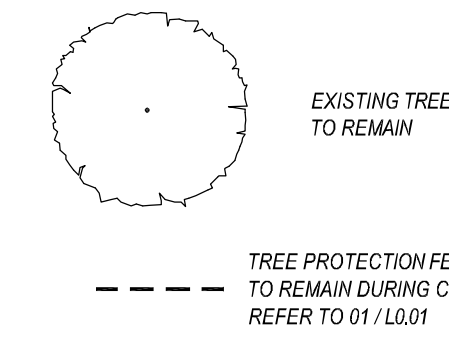


02 TREE PROTECTION FENCE B  
NOT TO SCALE



01 TREE PROTECTION FENCE A  
NOT TO SCALE

EXISTING TREE LEGEND



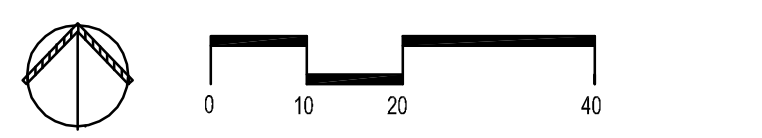
EXISTING TREE NOTES

- Existing trees to remain shall be protected during construction from tree structure damage and compaction of soil under and around drip line (canopy) of tree.
- If any root structure is damaged during adjacent excavation/construction, notify the Architect immediately. It is recommended that a licensed Arborist be secured for the treatment of any possible tree wounds.
- No disturbance of the soil greater than 4" shall be located closer to the tree trunk than 1/2 the distance of the drip line to the tree trunk. A minimum of 75% of the drip line and root zone shall be preserved at natural grade.
- Any fine grading done within the critical root zones of the protected trees must be done with light machinery such as a bobcat or light tractor. No earth moving equipment with tracks is allowed within the critical root zone of the trees.
- Material Storage: No materials intended for use in construction or waste materials accumulated due to excavation or demolition shall be placed within the limits of the drip line of any tree.
- Equipment Cleaning/Liquid Disposal: No equipment may be cleaned, toxic solutions, or other liquid chemicals shall be deposited within the limits of the drip line of a tree. This would include but not be limited to paint, oil, solvents, asphalt, concrete, mortar, primers, etc.
- Tree Attachments: No signs, wires or other attachments, other than those of a protective nature shall be attached to any tree.
- Vehicular Traffic: No vehicular and construction equipment traffic or parking is allowed within the limits of the drip line of trees.
- Boring of Utilities: May be permitted under protected trees in certain circumstances. The minimum length of the bore shall be the width of the tree's canopy and shall be a minimum depth of forty-eight (48") inches.
- Trenching: Any irrigation trenching which must be done within the critical root zone of a tree shall be dug by hand and enter the area in a radial manner.
- Tree Flagging: All trees to be removed from the site shall be flagged by the Contractor with bright red vinyl flags (3" width) wrapped around the main trunk at a height of four (4') feet above grass.
- Protective Fencing: All trees to remain, as noted on drawings, shall have protective fencing located at the tree's drip line. The protective fencing may be comprised of snow fencing, orange vinyl construction fencing, chain link fence or other similar fencing with a four (4') foot approximate height. The protective fencing will be located as indicated on the Tree Protection Details.
- Bark Protection: In situations where a tree remains in the immediate area of intended construction, the tree shall be protected by enclosing the entire circumference of the tree's trunk with lumber encircled with wire or other means that does not damage the tree. Refer to Tree Protection Details.



smr  
landscape architects, inc.  
1708 N. Griffin Street  
Dallas, Texas 75202  
Tel 214.871.0083  
Fax 214.871.0545  
Email smr@smr-ls.com

01 TREE PRESERVATION PLAN  
SCALE: 1" = 20'-0"



REVISIONS:

CHANNELL CAMPUS IMPROVEMENTS  
ROCKWALL, TEXAS  
1700 JUSTIN ROAD

MEINHARDT & ASSOCIATES  
ARCHITECTS, P.L.L.C.



PROJECT NO: 20-205.002  
DATE: 07.16.2021  
DRAWN BY: BDA  
CHECKED BY: BDA  
SHEET: SITE PLAN

L0.01

CASE # S2021-08#



**INSERT+** | RECESSED WALL

PRODUCT CODE

---

PROJECT

---

TYPE

---

PERFORMANCE  
**iN** LIGHTING

## PERFORMANCE **in** LIGHTING

Light sculpts the surrounding area to emphasize the meticulous planning that has gone into every piece of architecture. Aesthetics and function combine to create products that will satisfy the needs of the most ambitious of projects. Lighting becomes an integral part of the creative and design process, shaping nuances by highlighting texture and detail, becoming part of the construction process by perfectly complementing its architectural design.

Urban environments, roads, infrastructure, sporting venues, to name just a few. These are complex areas that call for an integrated lighting approach, parking lots, squares, green areas, every space that makes up the urban environment requires the right level of lighting, for a safer environment. Smart buildings and a variety of engineered lighting options provide the best results.



All products are covered by a 5-year warranty, provided that they are used and maintained according to instructions. Consumable materials, such as bulbs, starters, electronic ignitors and reactors, which are compliant with warranty regulations issued by the European Directive on the subject, are not included in the warranty.

Focus on quality, safety and product lifetime/longevity are the essential objectives of PERFORMANCE **in** LIGHTING.

For additional information, go to [www.performanceinlighting.com](http://www.performanceinlighting.com)



PERFORMANCE **in** LIGHTING offers a wide range of quick ship fixtures through the Pronto Program and a host of options to fit within the unique budget of your next project.

# INDEX

## RECESSED WALL

---



**INSERT+ZERO**  
4



**INSERT+ZERO CLIPS**  
6



**INSERT+1**  
8

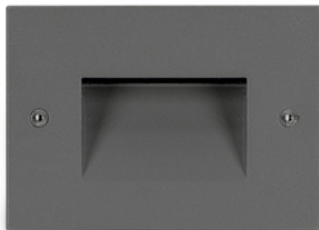


**INSERT+2**  
10



**INSERT+3**  
12

# INSERT+ ZERO



Recessed wall steplight series. Fixtures consist of:

- Multi-step powder-coat painting process, optimized against UV rays and corrosion.
- Copper-free precision die-cast aluminum housing and ring/faceplate.
- Frosted, flat, tempered silk-screened soda-lime glass diffuser.
- Custom molded, anti-aging gasket(s).
- Stainless steel external hardware.
- Custom MCPCB utilized to maximize heat dissipation and promote a long LED life.

- IESNA Type II light distribution.
- Input voltage: 120-277 V (50 / 60 Hz), integral driver.
- Mud Ring included for INSERT+ ZERO / ZERO CLIPS (J-Box provided by others).
- Consult factory for dimming options, custom finishes (please specify RAL color), and non-cataloged CCT (Kelvin) options including static colors.
- Product meets Buy American Act requirements within ARRA.
- 5-year warranty.

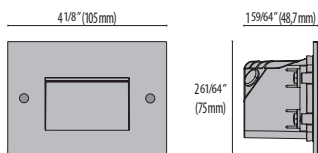


Standard finishes:

- AN-96 / Iron gray / Textured
- GR-94 / Aluminum metallic / Textured
- WH-87 / White / Textured

Other finish options:

- BK-81 / Black / Textured
- RB-10 / Iron rust / Textured



INSERT+  
ZERO



Please visit our web site  
[www.performanceinlighting.com](http://www.performanceinlighting.com)  
for the latest updated versions available.

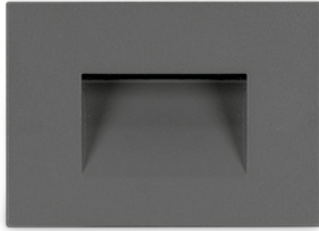


# INSERT+ ZERO

WATTAGE	DLC	VOLTAGE	CRI	KELVIN	OPTIC	OPTIC BEAM	LIGHTSOURCE LUMEN OUTPUT	LUMINAIRE LUMEN OUTPUT	L	B	LIFETIME	FINISH	PART NUMBER
6W	-	120-277V	80	4000	-	-	684 lm	196 lm	80	10	60000 h	●	<b>070599</b>
6W	-	120-277V	80	3000	-	-	660 lm	188 lm	80	10	60000 h	●	<b>070598</b>
6W	-	120-277V	80	4000	-	-	684 lm	196 lm	80	10	60000 h	●	<b>070597</b>
6W	-	120-277V	80	3000	-	-	660 lm	188 lm	80	10	60000 h	●	<b>070596</b>
6W	-	120-277V	80	4000	-	-	684 lm	196 lm	80	10	60000 h	○	<b>070595</b>
6W	-	120-277V	80	3000	-	-	660 lm	188 lm	80	10	60000 h	○	<b>070594</b>
4W	-	120-277V	80	4000	-	-	529 lm	153 lm	80	10	60000 h	●	<b>071904</b>
4W	-	120-277V	80	3000	-	-	511 lm	140 lm	80	10	60000 h	●	<b>071902</b>
4W	-	120-277V	80	4000	-	-	529 lm	153 lm	80	10	60000 h	●	<b>071900</b>
4W	-	120-277V	80	3000	-	-	511 lm	140 lm	80	10	60000 h	●	<b>071898</b>
4W	-	120-277V	80	4000	-	-	529 lm	153 lm	80	10	60000 h	○	<b>071896</b>
4W	-	120-277V	80	3000	-	-	511 lm	140 lm	80	10	60000 h	○	<b>071894</b>



# INSERT+ ZERO CLIPS



Recessed wall steplight series. Fixtures consist of:

- Multi-step powder-coat painting process, optimized against UV rays and corrosion.
- Copper-free precision die-cast aluminum housing and ring/faceplate.
- Frosted, flat, tempered silk-screened soda-lime glass diffuser.
- Custom molded, anti-aging gasket(s).
- Stainless steel external hardware.
- Custom MCPCB utilized to maximize heat dissipation and promote a long LED life.

- IESNA Type II light distribution.
- Input voltage: 120-277 V (50 / 60 Hz), integral driver.
- Mud Ring included for INSERT+ ZERO / ZERO CLIPS (J-Box provided by others).
- Consult factory for dimming options, custom finishes (please specify RAL color), and non-cataloged CCT (Kelvin) options including static colors.
- Product meets Buy American Act requirements within ARRA.
- 5-year warranty.

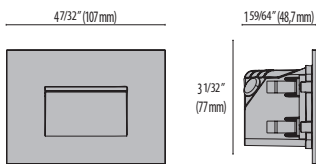


*Standard finishes:*

- AN-96 / Iron gray / Textured
- GR-94 / Aluminum metallic / Textured
- WH-87 / White / Textured

*Other finish options:*

- BK-81 / Black / Textured
- RB-10 / Iron rust / Textured



INSERT+  
ZERO CLIPS



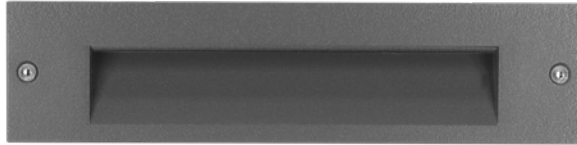
Please visit our web site  
[www.performanceinlighting.com](http://www.performanceinlighting.com)  
for the latest updated versions available.

## INSERT+ ZERO CLIPS

WATTAGE	DLC	VOLTAGE	CRI	KELVIN	OPTIC	OPTIC BEAM	LIGHTSOURCE LUMEN OUTPUT	LUMINAIRE LUMEN OUTPUT	L	B	LIFETIME	FINISH	PART NUMBER
<b>Mid Power LEDs 120-277 V</b>													
6W	-	120-277V	80	4000	-	-	684 lm	225 lm	80	10	60000 h	●	<b>070605</b>
6W	-	120-277V	80	3000	-	-	660 lm	217 lm	80	10	60000 h	●	<b>070604</b>
6W	-	120-277V	80	4000	-	-	684 lm	225 lm	80	10	60000 h	●	<b>070603</b>
6W	-	120-277V	80	3000	-	-	660 lm	217 lm	80	10	60000 h	●	<b>070602</b>
6W	-	120-277V	80	4000	-	-	684 lm	225 lm	80	10	60000 h	○	<b>070601</b>
6W	-	120-277V	80	3000	-	-	660 lm	217 lm	80	10	60000 h	○	<b>070600</b>
4W	-	120-277V	80	4000	-	-	529 lm	178 lm	80	10	60000 h	●	<b>071921</b>
4W	-	120-277V	80	3000	-	-	511 lm	162 lm	80	10	60000 h	●	<b>071920</b>
4W	-	120-277V	80	4000	-	-	529 lm	178 lm	80	10	60000 h	●	<b>071918</b>
4W	-	120-277V	80	3000	-	-	511 lm	162 lm	80	10	60000 h	●	<b>071916</b>
4W	-	120-277V	80	4000	-	-	529 lm	178 lm	80	10	60000 h	○	<b>071908</b>
4W	-	120-277V	80	3000	-	-	511 lm	162 lm	80	10	60000 h	○	<b>071906</b>



# INSERT+1



Recessed wall step light series. Fixtures consist of:

- Multi-step powder-coat painting process, optimized against UV rays and corrosion.
- Copper-free precision die-cast aluminum housing and ring/faceplate.
- Frosted, flat, tempered silk-screened soda-lime glass diffuser.
- Custom molded, anti-aging gasket(s).
- Stainless steel external hardware.
- Custom MCPCB utilized to maximize heat dissipation and promote a long LED life.
- IESNA Type III light distribution.
- Input voltage: 120-277 V (50 / 60 Hz), integral driver.
- Pre-wired factory sealed cable for external electrical

connection included.

- Consult factory for dimming options, custom finishes (please specify RAL color), and non-cataloged CCT (Kelvin) options.
- Consult factory for custom pre-wired factory sealed cable length options.
- Stainless steel recessed rough-in kit to be ordered separately.
- Optional INSERT+ 1 marine-grade, polished, brass faceplate suitable for coastal applications available (ordered separately).
- Product meets Buy American Act requirements within ARRA.
- 5-year warranty.

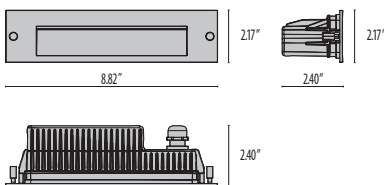


Standard finishes:

- AN-96 / Iron gray / Textured
- GR-94 / Aluminum metallic / Textured
- WH-87 / White / Textured

Other finish options:

- BK-81 / Black / Textured
- RB-10 / Iron rust / Textured



INSERT+  
1



Please visit our web site  
[www.performanceinlighting.com](http://www.performanceinlighting.com)  
for the latest updated versions available.

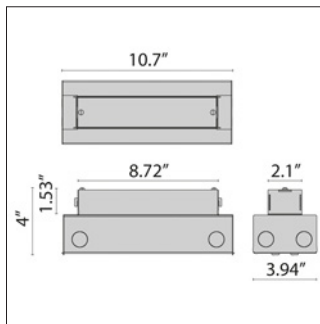
# INSERT+1

WATTAGE	DLC	VOLTAGE	CRI	KELVIN	OPTIC	OPTIC BEAM	LIGHTSOURCE LUMEN OUTPUT	LUMINAIRE LUMEN OUTPUT	L	B	LIFETIME	FINISH	PART NUMBER
<b>Mid Power LEDs 120-277 V</b>													
7W	-	120-277V	80	4000	-	-	850 lm	275 lm	80	10	60000 h	●	<b>071423</b>
7W	-	120-277V	80	3000	-	-	825 lm	250 lm	80	10	60000 h	●	<b>071419</b>
7W	-	120-277V	80	4000	-	-	850 lm	275 lm	80	10	60000 h	●	<b>071422</b>
7W	-	120-277V	80	3000	-	-	825 lm	250 lm	80	10	60000 h	●	<b>071417</b>
7W	-	120-277V	80	4000	-	-	850 lm	275 lm	80	10	60000 h	○	<b>071424</b>
7W	-	120-277V	80	3000	-	-	825 lm	250 lm	80	10	60000 h	○	<b>071421</b>



## REQUIRED FOR INSTALLATION

DESCRIPTION	FINISH	PART NUMBER
<b>INSERT+ 1</b>		
Rough-In kit Insert+ 1		<b>310485</b>



**310485**

## OPTIONAL ACCESSORIES

DESCRIPTION	FINISH	PART NUMBER
<b>INSERT+ 1</b>		
Brass Faceplate Insert +1		<b>304970</b>



**304970**

# INSERT+2



Recessed wall step light series. Fixtures consist of:

- Multi-step powder-coat painting process, optimized against UV rays and corrosion.
- Copper-free precision die-cast aluminum housing and ring/faceplate.
- Frosted, flat, tempered silk-screened soda-lime glass diffuser.
- Custom molded, anti-aging gasket(s).
- Stainless steel external hardware.
- Custom MCPCB utilized to maximize heat dissipation and promote a long LED life.
- IESNA Type III light distribution.
- Input voltage: 120-277 V (50 / 60 Hz), integral driver.

- Pre-wired factory sealed cable for external electrical connection included.
- Consult factory for dimming options, custom finishes (please specify RAL color), and non-cataloged CCT (Kelvin) options.
- Consult factory for custom pre-wired factory sealed cable length options.
- Stainless steel recessed rough-in kit to be ordered separately.
- Product meets Buy American Act requirements within ARRA.
- 5-year warranty.

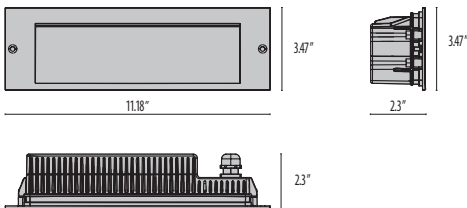


*Standard finishes:*

- AN-96 / Iron gray / Textured
- GR-94 / Aluminum metallic / Textured
- WH-87 / White / Textured

*Other finish options:*

- BK-81 / Black / Textured
- RB-10 / Iron rust / Textured



INSERT+  
2



Please visit our web site  
[www.performanceinlighting.com](http://www.performanceinlighting.com)  
 for the latest updated versions available.

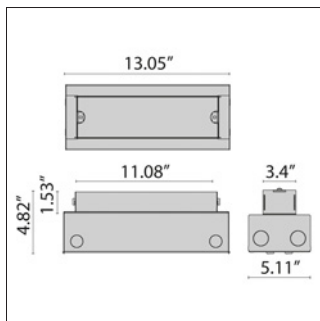
# INSERT+2

WATTAGE	DLC	VOLTAGE	CRI	KELVIN	OPTIC	OPTIC BEAM	LIGHTSOURCE LUMEN OUTPUT	LUMINAIRE LUMEN OUTPUT	L	B	LIFETIME	FINISH	PART NUMBER
11 W	-	120-277 V	80	4000	-	-	1410 lm	553 lm	80	10	60000 h	●	<b>071413</b>
11 W	-	120-277 V	80	3000	-	-	1350 lm	503 lm	80	10	60000 h	●	<b>071407</b>
11 W	-	120-277 V	80	4000	-	-	1410 lm	553 lm	80	10	60000 h	●	<b>071411</b>
11 W	-	120-277 V	80	3000	-	-	1350 lm	503 lm	80	10	60000 h	●	<b>071405</b>
11 W	-	120-277 V	80	4000	-	-	1410 lm	553 lm	80	10	60000 h	○	<b>071415</b>
11 W	-	120-277 V	80	3000	-	-	1350 lm	503 lm	80	10	60000 h	○	<b>071409</b>



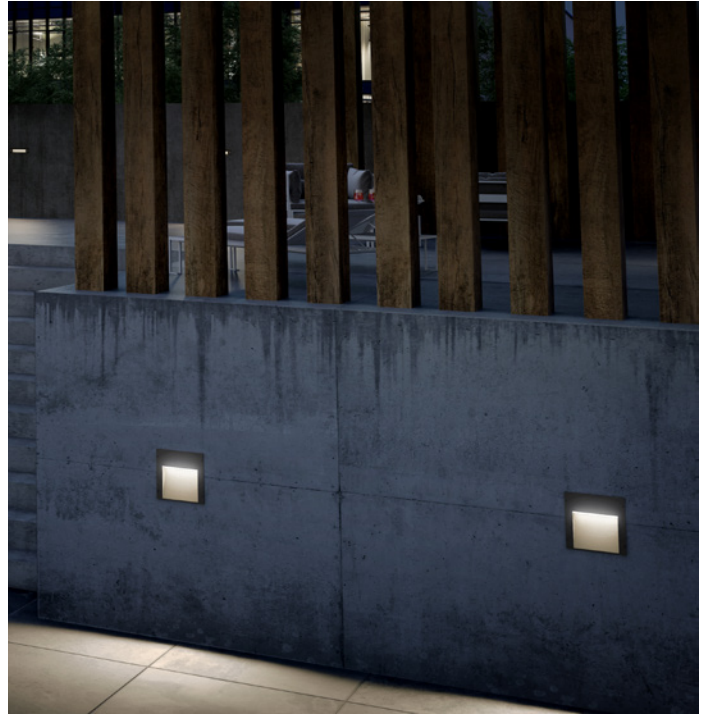
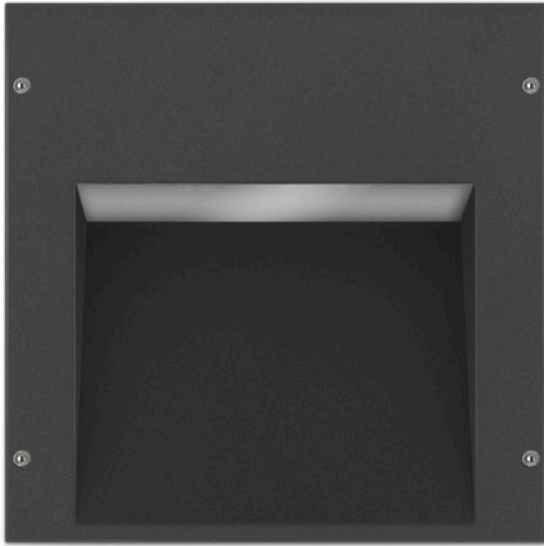
## REQUIRED FOR INSTALLATION

DESCRIPTION	FINISH	PART NUMBER
INSERT+ 2		
Rough-In kit Insert+ 2		<b>310486</b>



**310486**

# INSERT+3



Recessed wall spotlight series. Fixtures consist of:

- Multi-step powder-coat painting process, optimized against UV rays and corrosion.
- Copper-free precision die-cast aluminum housing and ring/faceplate.
- Custom molded, anti-aging gasket(s).
- Stainless steel external hardware.
- Extra-clear, flat, tempered soda-lime glass diffuser.
- Frosted, flat, tempered soda-lime glass diffuser.
- Custom MCPCB utilized to maximize heat dissipation and promote a long LED life.
- High-transmittance transparent optics.
- IESNA Type II light distribution.
- IESNA Type III light distribution.

- Input voltage: 120-277 V (50 / 60 Hz), integral 0-10 V dimming driver.
- Pre-wired factory sealed cable for external electrical connection included.
- Stainless steel recessed rough-in kit to be ordered separately.
- Suitable for concrete or hollow wall applications.
- Consult factory for dimming options, custom finishes (please specify RAL color), and non-cataloged CCT (Kelvin) options.
- Consult factory for custom pre-wired factory sealed cable length options.
- Product meets Buy American Act requirements within ARRA.
- 5-year warranty.

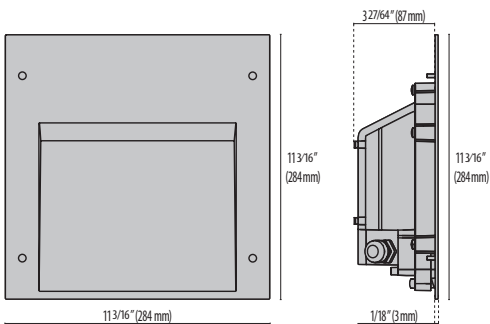


Standard finishes:

- AN-96 / Iron gray / Textured
- GR-94 / Aluminum metallic / Textured

Other finish options:

- BK-81 / Black / Textured
- WH-87 / White / Textured
- RB-10 / Iron rust / Textured



INSERT+  
3

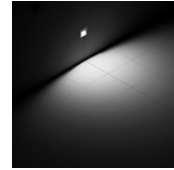


Please visit our web site  
[www.performanceinlighting.com](http://www.performanceinlighting.com)  
 for the latest updated versions available.



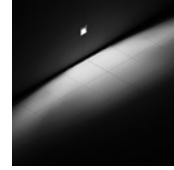
## INSERT+3

WATTAGE	DLC	VOLTAGE	CRI	KELVIN	OPTIC	OPTIC BEAM	LIGHTSOURCE LUMEN OUTPUT	LUMINAIRE LUMEN OUTPUT	L	B	LIFETIME	FINISH	PART NUMBER
<b>Mid Power LEDs 120-277 V - Dimmable 0-10 V</b>													
29 W	-	120-277 V	80	4000	-	-	4140 lm	1592 lm	80	10	60000 h	●	<b>071982</b>
29 W	-	120-277 V	80	3000	-	-	4020 lm	1502 lm	80	10	60000 h	●	<b>071981</b>
29 W	-	120-277 V	80	4000	-	-	4140 lm	1592 lm	80	10	60000 h	●	<b>071984</b>
29 W	-	120-277 V	80	3000	-	-	4020 lm	1502 lm	80	10	60000 h	●	<b>071983</b>



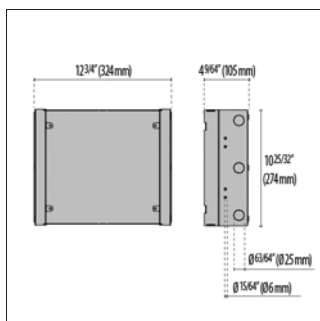
## INSERT+3 TYPE II

WATTAGE	DLC	VOLTAGE	CRI	KELVIN	OPTIC	OPTIC BEAM	LIGHTSOURCE LUMEN OUTPUT	LUMINAIRE LUMEN OUTPUT	L	B	LIFETIME	FINISH	PART NUMBER
<b>Mid Power LEDs 120-277 V - Dimmable 0-10 V</b>													
26 W	-	120-277 V	70	4000	-	-	3585 lm	1399 lm	80	10	125000 h	●	<b>071978</b>
26 W	-	120-277 V	70	3000	-	-	3450 lm	1388 lm	80	10	125000 h	●	<b>071977</b>
26 W	-	120-277 V	70	4000	-	-	3585 lm	1399 lm	80	10	125000 h	●	<b>071980</b>
26 W	-	120-277 V	70	3000	-	-	3450 lm	1388 lm	80	10	125000 h	●	<b>071979</b>



## REQUIRED FOR INSTALLATION

DESCRIPTION	FINISH	PART NUMBER
<b>INSERT+3</b>		
Rough-In kit INSERT+3	●	<b>3100883</b>



**3100883**



**PERFORMANCE IN LIGHTING**

2621 Keys Pointe  
Conyers, GA 30013 - United States  
Ph 770.822.2115  
Fax 770.822.9925

[www.performanceinlighting.com](http://www.performanceinlighting.com)



Client:

Project:

Type:

Order Code:

Quantity:

**Dyna Accent White** is a high output, outdoor rated, white color LED floodlight. It features an internal 100-277VAC power supply, onboard DMX+RDM driver, and each unit carries Acclaim's Aria wireless DMX technology inside. The optical system and high power LED provide exceptional output and efficacy. It comes with a narrow 5° beam standard, with optional quick-change spread lenses for wider applications. It is ideal for facade lighting applications and as an area floodlight.

## SPECIFICATIONS

Colors	2700K, 3000K, 3500K, 4000K, 5700K
Beam Angles	5° standard, 10°, 20°, 40°, 60°, 10° x 60° spread lens options
Photometrics	Up to 1910 lumens, 183,000 cd, see page 4 for details
Effective Projected Area	0.96 ft <sup>2</sup>
Control	DMX+RDM, Manual color setting in menu, photocell included, Aria wireless direct connect
Max Fixtures in Series	32 via DMX, power local to each fixture
Power Consumption	40W
Operating Voltage	100-277VAC, 50/60 Hz
Lumen Maintenance	L70 @ 150,000 hours (25° C)
Mounting	1/2" NPT pipe (O.D.=0.855"), 4" round elec. box, landscape stake or surface mounting plate
Finish	Gray standard (RAL 7047), black, white, and custom colors optional
Material	Die cast aluminum, glass top lens, optional marine coating available
Ambient Operating Temperature	-40° F to 125° F (-40° C to 51° C)
IP Rating	IP66, wet location
IK Rating	IK07, protection against 2 joule impact
Fixture Connectors	Attached 5' (1.5m) AWM 21388 IP66 hybrid cable, AC power + DMX/RDM
Warranty	5 Years, limited
Weight	10 lbs. (4.53 kg)
Dimensions	<b>L:</b> 11.37" x <b>W:</b> 6.14" x <b>H:</b> 11.06" (289mm x 156mm x 281mm)

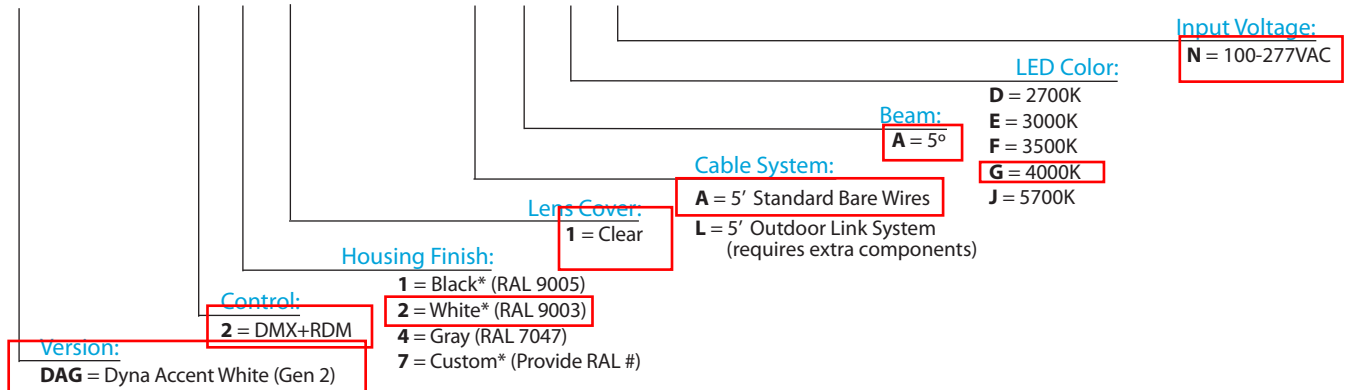
Certifications



## ORDER CODES

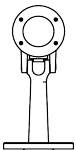
\* indicates special order, which may require a longer lead time

**DAG - 2 # 1 - # A # N**

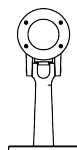


## RELATED COMPONENTS

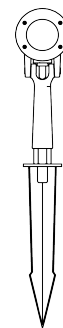
### Optional Beam Accessories



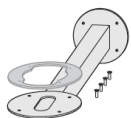
**DMAEBM**  
4" round electrical box mount  
for Dyna Accent White



**DMADSM**  
Direct surface mount  
for Dyna Accent White



**DMASTM**  
Landscape stake mount  
for Dyna Accent White



**DYNAFEB#**  
For use with 4" round electrical box mount  
Available in 6", 12", 18" and 36" lengths  
Order Code Example: DYNAFEB6

## RELATED COMPONENTS



**DAGSL10**  
*10° Spread lens for Dyna Accent*

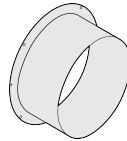
**DAGSL20**  
*20° Spread lens for Dyna Accent*

**DAGSL40**  
*40° Spread lens for Dyna Accent*

**DAGSL60**  
*60° Spread lens for Dyna Accent*

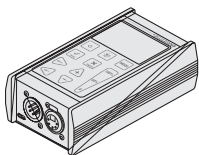
**DAGSL100**  
*100° Spread lens for Dyna Accent*

**DAGSL1060**  
*10° x 60° Spread lens for Dyna Accent*



**DAGFSG** *Full snoot for Dyna Accent, Gray*  
**DAGFSB** *Full snoot for Dyna Accent, Black*  
**DAGFSW** *Full snoot for Dyna Accent, White*  
**DAGFSC** *Full snoot for Dyna Accent, Custom (provide RAL #)*

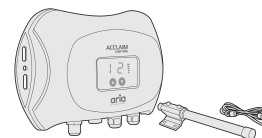
### Control Accessories



**XMT350**  
*DMX + RDM Addressing and Testing Tool*



**ARIA WDS**  
*Aria Wireless DMX System*



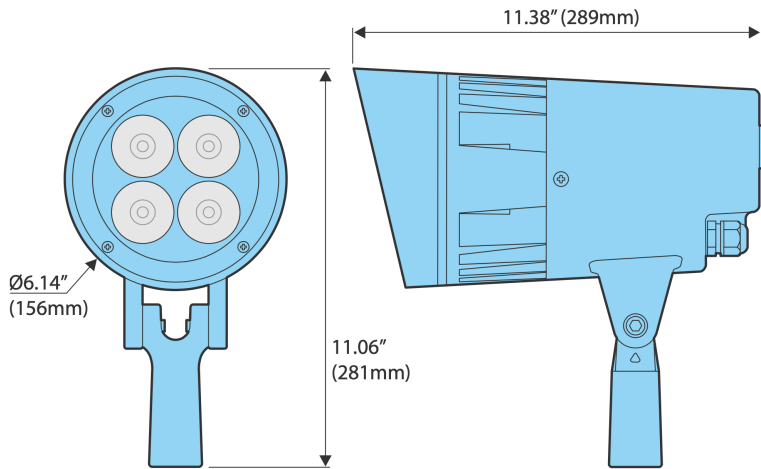
**ARIA RE**  
*Aria Wireless Range Extender*



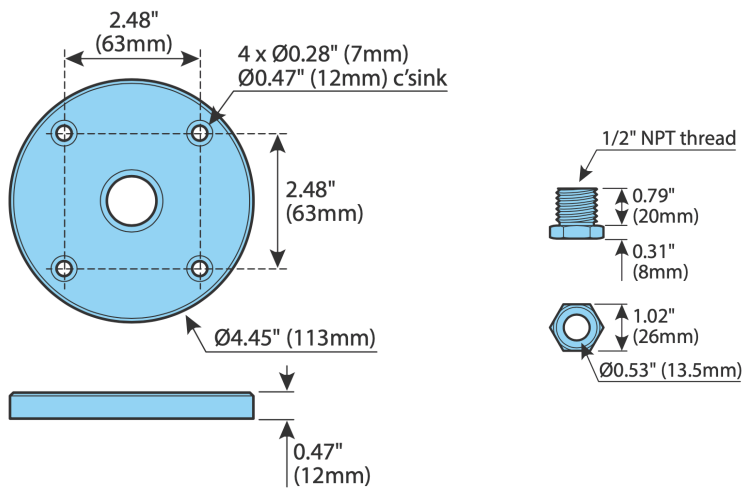
**UDM**  
*Universal Dimming Module*  
*Converts 0-10V Sink and Source to DMX*

## DIMENSIONS

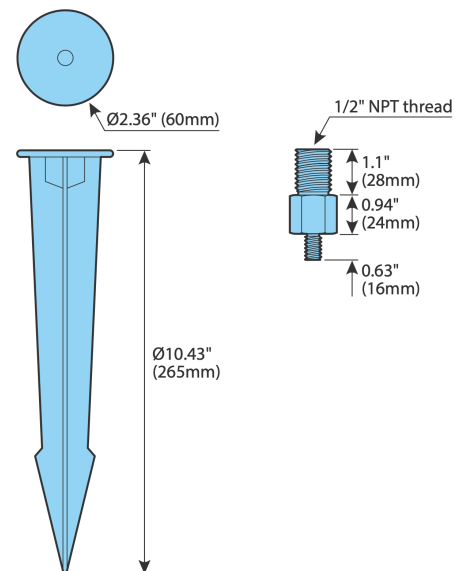
Main Body



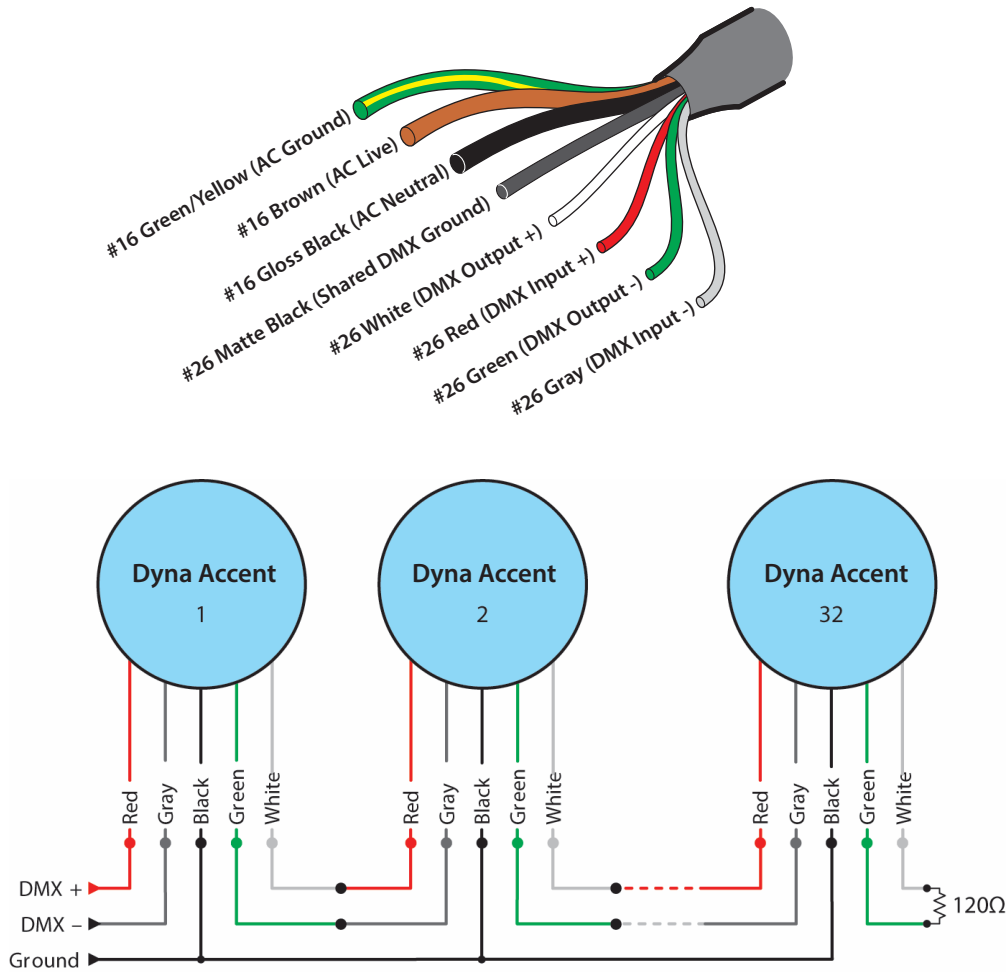
Electrical Box and Direct Surface Mount



Landscape Stake and Joiner



## WIRING



## PHOTOMETRICS

Color Temp / Beam	Lumens	Center Candela	Efficacy (l/pw)	CRI (Ra)	TM30
2700K, 5°	Testing in progress				
3000K, 5°	Testing in progress				
3500K, 5°	Testing in progress				
4000K, 5°	1,794	174,769	45	80.3	81.2
5700K, 5°	1,910	183,000	47	80.2	81

## DESCRIPTION

The Invue Arbor post top brings architectural style to area/site and pedestrian scale applications. Its dayform appearance brings a desired organic look into the urban environment. WaveStream™ LED Optics provide a uniform pixelation free image, managing glare while providing high levels of visibility.

<b>Catalog #</b>		<b>Type</b>	
<b>Project</b>			
<b>Comments</b>		<b>Date</b>	
<b>Prepared by</b>			

## SPECIFICATION FEATURES

### Construction

Two-piece IP66 rated housing is cast from low copper content corrosion resistant aluminum, maintaining strength and precision to sustain long term dayform appearance. ANSI C136.31 testing compliance prevents damage from installation generated vibration. External hardware and casting seams are minimized to enhance appearance.

### Optics

Specifically designed for pedestrian applications, WaveStream LED optical waveguide technology produces both symmetric NEMA type V and asymmetric NEMA II, III, IV distributions. The waveguide is manufactured from precision injection molded acrylic resulting in a pixelation free optical image for improved glare control and visual comfort. Luminaire efficacy's measure up to 100 lm/w for 4000K (+/- 275K) CCT at 70 CRI (min), optional 3000K CCT at 80 CRI is also available.

### Electrical

LED driver(s) are directly mounted to upper housing thermal pad for optimal thermal performance.

Standard 0-10V dimming drivers and Cooper Lighting Solutions' proprietary surge protection module are designed to withstand 10kV of transient line surge. Drivers operate at 120-277V 50/60Hz with 347V/60Hz or 480V/60Hz operation optional. Suitable for ambient temperature applications as low as -40°C (40°F) to 40°C (104°F). Limited high ambient options allow for 50°C operation.

### Controls

The Arbor LED luminaire control options are designed to be simple and cost-effective ASHRAE and California Title 24 compliant solutions. The ANSI C136.41 compliant NEMA 7-PIN receptacle enables wireless dimming when used with compatible photocontrol. See control options page for more details.

### Mounting

Fitter assembly mounts over 2-3/8" O.D. tenon and is secured via six concealed stainless steel set screws. Design of fitter provides seamless transition to 3" O.D. round pole top. Additional mounting accessories include a single fixture arm mount, twin

fixture arm mount and wall mount arm. Additional pole mount accessories mount to a 3" x 4" long tenon for 4" - 5" O.D. poles tops. For existing 2-3/8" tenons an adapter is shipped standard.

### Finish

Cooper Lighting Solutions ("CLS") utilizes premium ultra-weatherable TGIC based polyester powder coatings that are specifically formulated to withstand extended outdoor exposure. The powders are formulated exclusively for CLS to serve functionally as well as decorative. Good film appearance combined with excellent mechanical an exterior exposure qualities display greater than twice as much gloss retention. RAL and custom color matches available. Finish is compliant with ASTM B117 3000hr salt spray standard.

### Warranty

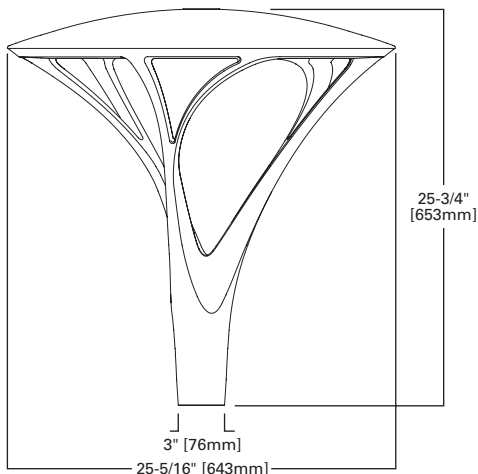
Five-year warranty.



## ARB ARBOR POST TOP

DECORATIVE LUMINAIRE

## DIMENSIONS



### CERTIFICATION DATA

UL/cUL Listed  
IEG 60529 IP66 Housing  
ASTM B117 SaH Spray Tested  
ASTM A3560 Low Cooper Alloy  
ISO 9001  
Dark Sky Approved (3000K CCT and warmer only)  
ANSI C136.31 3G Vibration Tested (Post Top)  
ANSI C136.31 1.5G Vibration Tested (Twin Mount / Accessory Arm Mount)

### ENERGY DATA Electronic LED Driver

>0.9 Power Factor  
<20% Total Harmonic Distortion  
120-277V 50/60Hz, 347V/60Hz,  
480V/60Hz  
40°C Ambient Temperature Rating  
As low as -40°C (-40°F) minimum  
temperature  
\*See MINIMUM TEMPERATURE table

### EPA

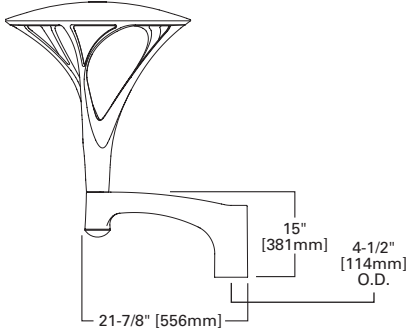
Effective Projected Area: (Sq. Ft.) 0.9

Approximate Net Weight:  
37 lbs. [16.8 kgs.]

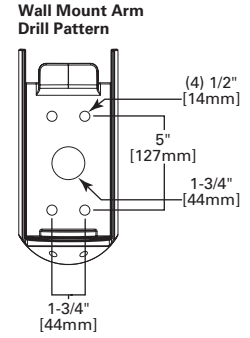
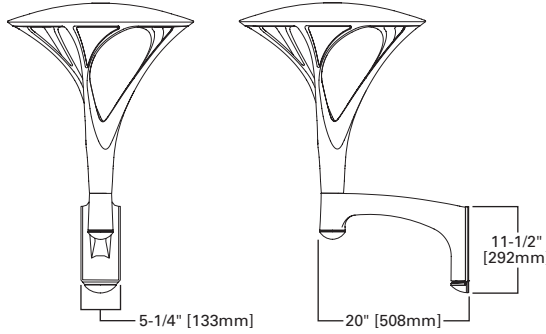


**MOUNTING CONFIGURATIONS (WEIGHT AND EPAS INCLUDES FIXTURE)**

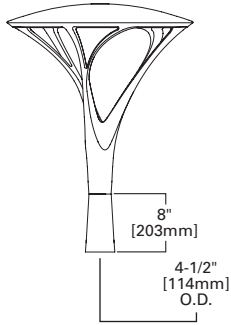
**Single Arm Mount (ARSA-XX)**  
**Weight:** 56 lbs. [25.45 kgs.]  
**EPA:** 1.7 Sq. Ft.



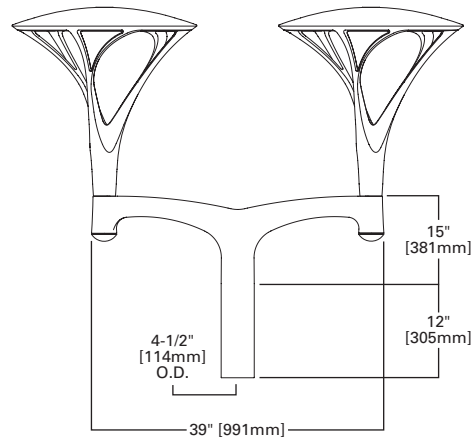
**Wall Mount Arm (ARWM-XX)**  
**Weight:** 57 lbs. [25.91 kgs.]  
**EPA:** 1.8 Sq. Ft.



**Post Top Adapter (ARPA4-XX)**  
**Weight:** 41 lbs. [18.63 kgs.]  
**EPA:** 1.2 Sq. Ft.



**Twin Arm Mount (ARTA15-XX)**  
**Weight:** 114 lbs. [51.81 kgs.]  
**EPA:** 3.45 Sq. Ft.



**MOUNTING REQUIREMENTS CHART**

Tenon O.D. (Inches)	2-3/8" Tenon		
Pole Top O.D. (Inches)	3"	4"	5"
Post Top	Standard	Spacer (Provided) & ARPA4-XX (Order Separately)	Spacer (Provided) & ARPA4-XX (Order Separately)
Single Arm Mount	Spacer (Provided)	Spacer (Provided)	Spacer (Provided)

Tenon O.D. (Inches)	3" Tenon	
Pole Top O.D. (Inches)	4"	5"
Post Top	ARPA4-XX (Order Separately)	ARPA4-XX (Order Separately)
Single Arm Mount	Standard	Standard
Twin Mount	Standard	Standard

**POLE CONFIGURATIONS (ARP DECORATIVE POLE SHOWN)**



**ORDERING INFORMATION**

Sample Number: ARB-B2-LED-D1-T2-GM

Product Family <sup>1,2</sup>	Lumens <sup>3</sup>	Lamp Type	Voltage	Distribution	Color <sup>7</sup>
ARB=Arbor Post Top	B1=Nominal 2,300 Lumens B2=Nominal 4,500 Lumens B3=Nominal 8,500 Lumens B4=Nominal 9,500 Lumens <sup>4</sup>	LED=Solid State Light Emitting Diodes	D1=Dimming Driver (120-277V) 347=347V <sup>5</sup> 480=480V <sup>5, 6</sup>	T2=Type II T3=Type III T4=Type IV T5=Type V	AP=Grey BZ=Bronze BK=Black DP=Dark Platinum GM=Graphite Metallic WH=White
Options (Add as Suffix)			Accessories (Order Separately) <sup>19</sup>		
<p>7030=70 CRI / 3000K CCT <sup>8</sup>                      7035=70 CRI / 3500K CCT <sup>8</sup>                      8030=80 CRI / 3000K CCT <sup>8</sup>                      8035=80 CRI / 3500K CCT <sup>8</sup>                      20MSP=20kV MOV Surge Protective Device                      20K=20kV UL 1449 Fused Surge Protective Device                      PC=Button Type Photocontrol                      PER=NEMA 3-PIN Twistlock Photocontrol Receptacle                      PER7=NEMA 7-PIN Twistlock Photocontrol Receptacle                      HA=50°C High Ambient Temperature <sup>9</sup>                      SPB1=Dimming Occupancy Sensor with Bluetooth Interface, &lt;8' Mounting <sup>23</sup>                      SPB2=Dimming Occupancy Sensor with Bluetooth Interface, 8'-20' Mounting <sup>23</sup>                      SPB4=Dimming Occupancy Sensor with Bluetooth Interface, 21'-40' Mounting <sup>23</sup>                      MS-L08=Motion Sensor for ON/OFF Operation, Maximum 8' Mounting Height <sup>10, 11</sup>                      MS-L20=Motion Sensor for ON/OFF Operation, 9' - 20' Mounting Height <sup>10, 11</sup>                      MS-L40W=Motion Sensor for ON/OFF Operation, 21' - 40' Mounting Height <sup>10, 11</sup>                      MS/DIM-L08=Motion Sensor for Dimming Operation, Maximum 8' Mounting Height <sup>10, 11</sup>                      MS/DIM-L20=Motion Sensor for Dimming Operation, 9' - 20' Mounting Height <sup>10, 11</sup>                      MS/DIM-L40W=Motion Sensor for Dimming Operation, 21' - 40' Mounting Height <sup>10, 11</sup>                      ZD=DALI-enabled 4-PIN Twistlock Receptacle <sup>10, 11, 12, 13, 14</sup>                      ZW=Wavelinx-enabled 4-PIN Twistlock Receptacle <sup>10, 11, 12, 13</sup>                      SWPD4WH=Wavelinx Wireless Sensor, 7' - 15' Mounting Height, White <sup>10, 11, 12, 13, 15</sup>                      SWPD5WH=Wavelinx Wireless Sensor, 15' - 40' Mounting Height, White <sup>10, 11, 12, 13, 15</sup>                      LWR-LW=Enlighted Wireless Sensor, Wide Lens for 8' - 16' Mounting Height <sup>10, 16</sup>                      LWR-LN=Enlighted Wireless Sensor, Narrow Lens for 16' - 40' Mounting Height <sup>10, 16</sup>                      5LTD=Fifth Light Dali Driver <sup>10, 17</sup>                      DIM=0-10V External Dimming Leads <sup>10, 18</sup>                      VS=Tempered Glass Vandal Shield                      CC=Coastal Construction <sup>24</sup></p>			<p>ARSA-XX=Single Pole Mount Arm <sup>20</sup>                      ARWM-XX=Wall Mount Arm                      ARTA15-XX=Twin Mount Bracket <sup>21</sup>                      ARPA4-XX=Pole Adapter 4" O.D. Pole                      FSIR-100=Wireless Configuration Tool for Occupancy Sensor <sup>21</sup>                      SWPD4-WH=Wavelinx Wireless Sensor, 7' - 15' Mounting Height, White <sup>13, 15</sup>                      SWPD5-WH=Wavelinx Wireless Sensor, 16' - 40' Mounting Height, White <sup>13, 15</sup>                      WOLC-7P-10A=Wavelinx Outdoor Control Module (7-PIN) <sup>10, 22</sup></p>		

- NOTES:**
- Customer is responsible for engineering analysis to confirm pole and fixture compatibility for all applications. Refer to our white paper WP513001EN for additional information.
  - Fixture slippits over standard 2-3/8" tenon. 3" O.D. tenon when used with a ARPA4-XX 4" O.D. pole adapter.
  - Standard 4000K CCT, nominal 70CRI.
  - B4 only available with Type V distribution.
  - Requires the use of a step down transformer.
  - Only for use with 480V Wye systems. Per NEC, not for use with ungrounded systems, impedance grounded systems or corner grounded systems (commonly known as Three Phase Three Wire Delta, Three Phase High Leg Delta and Three Phase Corner Grounded Delta systems).
  - Custom and RAL color matching available upon request. Consult your lighting representative for more information.
  - Extended lead times apply. Use dedicated IES files when performing layouts.
  - Not available with B3 lumen package in Type II, III, or IV distributions.
  - Controls system is not available with photocontrol (PC), photocontrol receptacle (PER or PER7), or other controls systems (MS, ZW, ZD, LWR, 5LTD, or DIM).
  - Not available with HA option.
  - Sensor passive infrared (PIR) may be overly sensitive below -20°C (-4°F).
  - For device to be field-configurable, requires WAC Gateway components WAC-POE and WPOE-120 in appropriate quantities. Only compatible with WaveLinX system and software and requires system components to be installed for operation. See website for more WaveLinX application information.
  - Not available on B1 or B5 lumen packages.
  - Requires 4-PIN twistlock receptacle (ZD or ZW) option.
  - Enlighted wireless sensors are factory installed and require network components LWP-EM-1, LWP-GW-1, and LWP-PoE8 in appropriate quantities. See website for application information.
  - Not available in B4 lumen package.
  - Low voltage control leads brought 18" outside fixture.
  - Replace XX with paint color.
  - Fits on 3" O.D. x 4" long tenon for nominal 4-1/2" O.D. pole top.
  - This tool enables adjustment to Motion Sensor (MS) parameters including high and low modes, sensitivity, time delay, cutoff and more. Consult your lighting representative for more information.
  - Requires 7-PIN NEMA twistlock photocontrol receptacle (PER7) option. The WOLC-7 cannot be used in conjunction with other controls systems (MS, ZW, ZD or LWR). Operates on 120-347V input voltages.
  - Smart device with mobile application required to change system defaults. See controls section for details.
  - Coastal construction finish salt spray tested to over 5,000-hours per ASTM B117, with a scribe rating of 9 per ASTM D1654.

**POWER AND LUMENS**

Lumen Package	B1	B2	B3	B4	
<b>Drive Current</b>					
Power Wattage (Watts)	24W	48W	96W	99W	
Input Current (mA) @ 120V	200	400	800	830	
Input Current (mA) @ 208V	120	240	470	480	
Input Current (mA) @ 240V	100	200	400	420	
Input Current (mA) @ 277V	90	180	350	360	
Power Wattage (Watts)	26W	53W	107W	108W	
Input Current (mA) @ 347V	79	161	325	328	
Input Current (mA) @ 480V	58	117	235	237	
<b>Optics</b>					
Type II	Lumens	2,045	3,994	7,362	--
	BUG Rating	B1-U1-G1	B1-U2-G2	B3-U2-G3	--
Type III	Lumens	2,324	4,534	8,451	--
	BUG Rating	B1-U1-G1	B1-U2-G2	B2-U2-G3	--
Type IV	Lumens	2,408	4,691	8,740	--
	BUG Rating	B1-U1-G1	B1-U2-G2	B2-U2-G3	--
Type V	Lumens	2,311	4,529	8,511	9,464
	BUG Rating	B2-U1-G1	B3-U2-G2	B3-U2-G3	B3-U2-G3

**LUMEN MULTIPLIER**

Ambient Temperature	Lumen Multiplier
0°C	1.02
10°C	1.01
25°C	1.00
40°C	0.99
50°C	0.97

**LUMEN MAINTENANCE**

Ambient Temperature	TM-21 Lumen Maintenance (60,000 Hours)	Calculated L70 (Hours)
25°C	>91%	>230,000
40°C	>88%	>172,000
50°C	>86%	>142,000

NOTE: Maintenance data applies to the highest drive current and represents the worst case at the highest wattage.

**COLOR TEMPERATURE**

Color Temperature (CCT)	CRI (Nominal)	Multiplier
4000	70	1.00
3000	80	0.91

**MINIMUM AMBIENT TEMPERATURE**

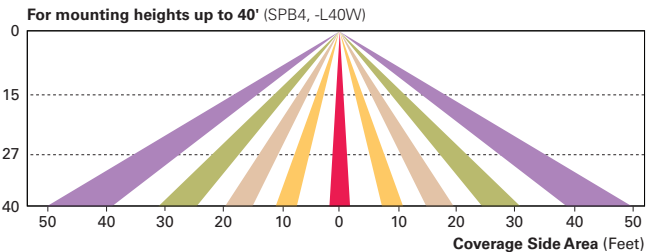
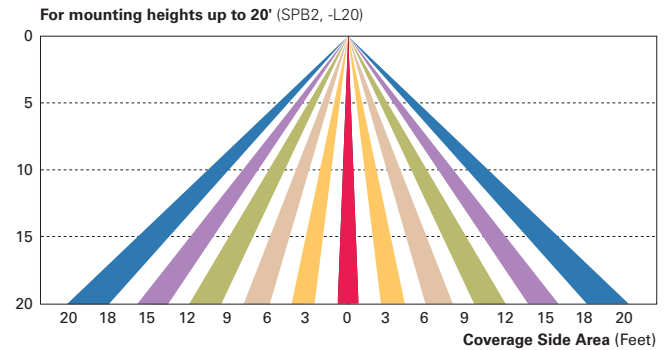
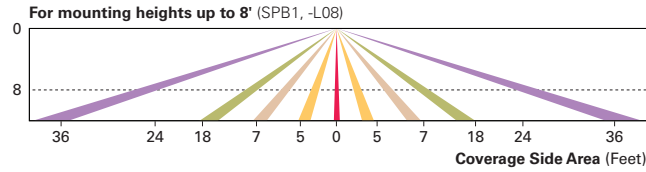
Lumen Package	Temperature
B1	-40°C
B2	-35°C
B3	-35°C
B4	-40°C
All DALI powered lumen packages	-20°C

**CONTROL OPTIONS**

**0-10V (D)** The dimming option provides 0-10V dimming wire leads for use with a lighting control panel or other control method.

**Photocontrol (PER and PER7)** Photocontrol receptacles provide a flexible solution to enable "dusk-to-dawn" lighting by sensing light levels. Advanced control systems compatible with NEMA 7-pin standards can be utilized with the PER7 receptacle.

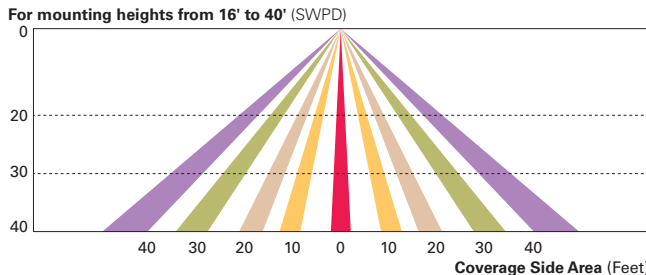
**Dimming Occupancy Sensor (SPB, MS/DIM-LXX and MS-LXX)** These sensors are factory installed in the luminaire housing. When the SPB or MS/DIM sensor options are selected, the occupancy sensor is connected to a dimming driver and the entire luminaire dims when there is no activity detected. When activity is detected, the luminaire returns to full light output. The MS/DIM sensor is factory preset to dim down to approximately 50 percent power with a time delay of five minutes. The MS-LXX sensor is factory preset to turn the luminaire off after five minutes of no activity. SPB motion sensors require the Sensor Configuration mobile application by Wattstopper to change factory default dimming level, time delay, sensitivity and other parameters. Available for iOS and Android devices. The SPB sensor is factory preset to dim down to approximately 10% power with a time delay of five minutes. The MS/DIM occupancy sensors require the FSIR-100 programming tool to adjust factory defaults.



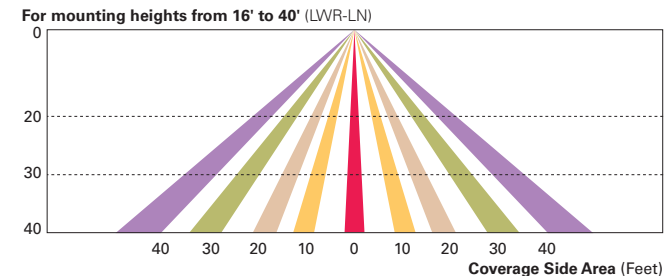
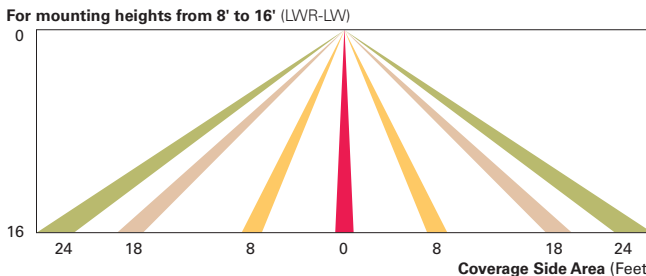
**WaveLinx Wireless Control and Monitoring System** Available in 7-PIN or 4-PIN configurations, the WaveLinx Outdoor control platform operates on a wireless mesh network based on IEEE 802.15.4 standards enabling wireless control of outdoor lighting. Use the WaveLinx Mobile application for set-up and configuration. At least one Wireless Area Controller (WAC) is required for full functionality and remote communication (including adjustment of any factory pre-sets).

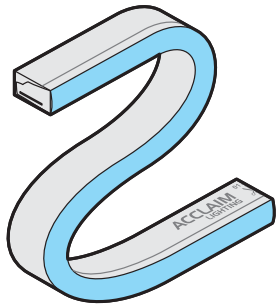
**WaveLinx Outdoor Control Module (WOLC-7P-10A)** A photocontrol that enables astronomical or time-based schedules to provide ON, OFF and dimming control of fixtures utilizing a 7-PIN receptacle. The out-of-box functionality is ON at dusk and OFF at dawn.

**WaveLinx Wireless Sensor (SWPD4 and SWPD5)** These outdoor sensors offer passive infrared (PIR) occupancy and a photocell for closed loop daylight sensing. These sensors can be factory installed or field-installed via simple, tool-less integration into luminaires equipped with the Zhaga Book 18 compliant 4-PIN receptacle (ZD or ZW). These sensors are factory preset to dim down to approximately 50 percent power after 15 minutes of no activity detected. These occupancy sensors include an integral photocell for "dusk-to-dawn" control or daylight harvesting that is factory-enabled. A variety of sensor lenses are available to optimize the coverage pattern for mounting heights from 7'-40'.



**Enlighted Wireless Control and Monitoring System (LWR-LW and LWR-LN)** The Enlighted System is a connected lighting solution that combines LED luminaires with an integrated wireless sensor system. The sensor controls the lighting system in compliance with the latest energy codes and collects valuable data about building performance and use. Software applications turn the granular data into information through energy dashboards and specialized apps that make it simple and help optimize the use of other resources beyond lighting.





Client: \_\_\_\_\_

Project: \_\_\_\_\_

Type: \_\_\_\_\_

Order Code: \_\_\_\_\_

Quantity: \_\_\_\_\_

**Flex Tube SC** is a flexible, direct view LED strip that features a single color output. It comes in a 10m spool that can be cut to length to suit project requirements or you can specify custom build to order lengths. It features a highly durable PVC body which is outdoor rated and impact resistant.

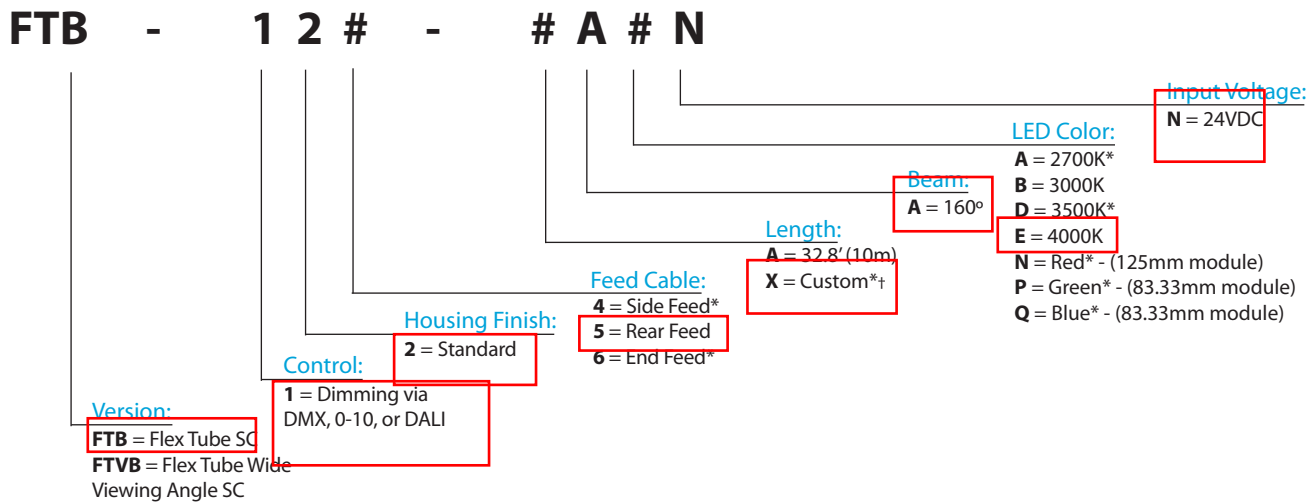
## SPECIFICATIONS

Colors	2700K, 3000K, 3500K, 4000K, Red (125mm module), Green and Blue (83.33mm module)
Beam Angle	160°
Photometrics	Up to 120 lumens per foot, see page 4 for details
Strip Length	32.8' (10m) field-cutttable spool, or built to order lengths in 100mm (3.93") sections
Dimming Protocol & Channel Count	DMX/RDM (0-100%), 0-10V (10-100%), or DALI (0-100%) via AL Driver Series, 1 channel
Maximum Fixture Runs	32.8' (10m), 1 spool
Power Consumption	3.75W per foot, 12W per meter, 123W per 32.8' (10m) spool
Operating Voltage	24VDC
Lumen Maintenance	L70 @ 50,000 hours (25° C)
Mounting	Locking aluminum mounting channel, 1.37" (35mm), 3.28' (1m), or 6.56' (2m) lengths
Finish	White / red, green, and blue versions have matching color housing
Material	PVC
Ambient Operating Temperature	-40° F to 131° F (-40° C to 55° C)
IP Rating	IP68, wet location and submersible*
IK Rating	IK08, protection against 5 joule impact
Fixture Connectors	9.84' (3m) injection molded feed cable and end cap included
Warranty	3 Years standard, 5 years optional (with additional charge), limited
Weight	7.6 lbs (3.5 kg) - 10m Spool
Dimensions	<b>L:</b> As specified <b>W:</b> 0.45" <b>H:</b> 0.88" / <b>L:</b> As specified <b>W:</b> 11.5 <b>H:</b> 22.5mm
Certifications	 

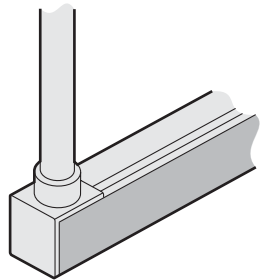
\*UL approval limits submersible installation to non-human occupied and freshwater locations only. All cables must be landed in environmentally suitable junction boxes.

## ORDER CODES

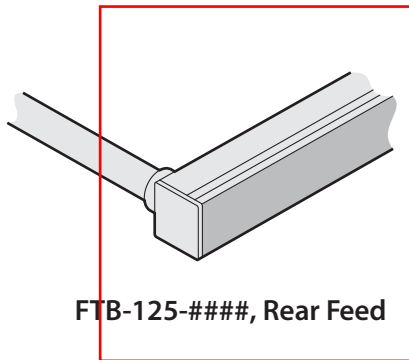
\* indicates special order



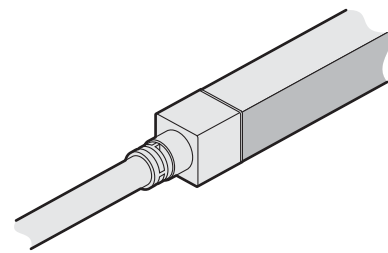
†: When ordering custom lengths, please specify number of 3.93" (100mm) sections required after X (32.8', 10m maximum).  
 Example order code: **FTB-125-X40ASN = 100mm x 40 / 4m spool**



**FTB-124-####, Side Feed**



**FTB-125-####, Rear Feed**



**FTB-126-####, End Feed**

## RELATED COMPONENTS

**Power Supplies** (for use with single channel drivers or non dimming applications)



### APS-240-24

*1 spool maximum*

240W, 24VDC, Dry location, DIN rail mount  
115-230VAC (47-63Hz) input



### APS-300-24-IP

*2 spools maximum*

300W, 24VDC, IP66 Damp location  
100-277VAC (50-60Hz) input

### APS-480-24

*3 spools maximum*

480W, 24VDC, Dry location, DIN rail mount  
115-230VAC (47-63Hz) input

**Single Channel Multi Protocol Driver** (for use with stand alone power supplies above when dimming is required)



### ALD001

*AL Driver 1*

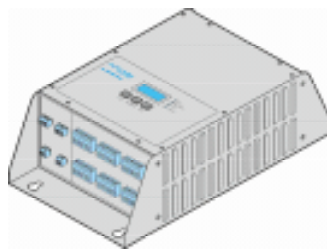
Single channel DMX + 0-10V (sink & source) driver, 0 -100% dimming range  
6-24VDC input, 1 spool maximum  
Use in conjunction with APS series

**DMX Multi Protocol Drivers AL Driver 200/400/800**



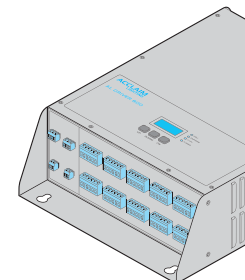
### ALD-200-24

*AL Driver 200 24V, 1 spool max*  
200W 24V power supply DMX,  
0-10V (sink & source) & DALI driver  
4 output ports, 100-277VAC input



### ALD-400-24

*AL Driver 400 24V, 3 spools max*  
400W 24V power supply + DMX,  
0-10V (sink & source) & DALI driver  
6 output ports, 100-277VAC input

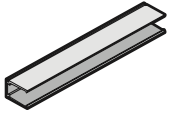


### ALD-800-24

*AL Driver 800 24V, 6 spools max*  
800W 24V power supply + DMX,  
0-10V (sink & source) & DALI driver  
10 output ports, 100-277VAC input

## RELATED COMPONENTS

### Mounting Accessories



**FTCH35**  
35mm (1.37") self lock mounting channel  
Aluminum profile, includes 2 screws

**FTCH1000**  
1m (3.28') self lock mounting channel  
Aluminum profile, includes 5 screws

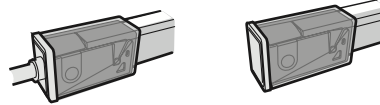
**FTCH2000**  
2m (6.56') self lock mounting channel  
Aluminum profile, includes 10 screws

### Additional Accessories



**FTTK2**  
Flex Tube Toolkit  
One required per project

### Connection Accessories



**FTBFC-01**  
3m (9.84') feed cable + connector for Flex Tube SC  
Maintains IP68 rating, 2nd generation toolless design

**FTEC-02**  
End cap for top emitting Flex Tube  
Maintains IP68 rating, 2nd generation toolless design

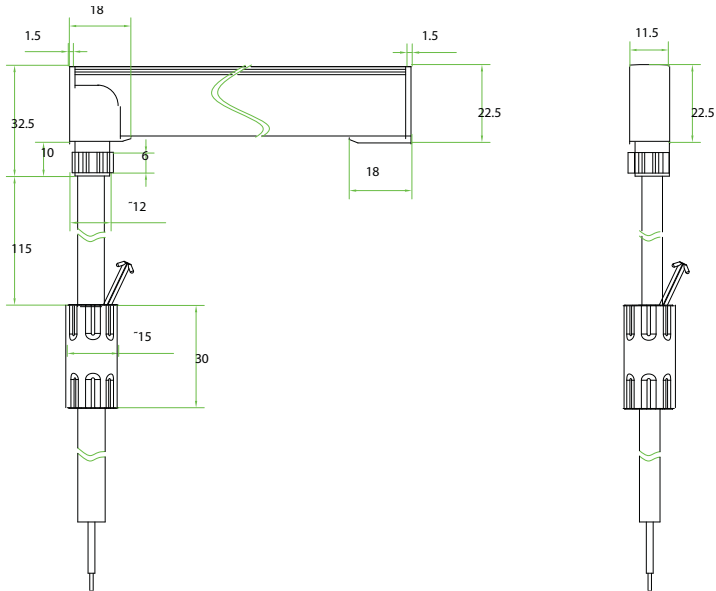
## PHOTOMETRICS

Color	Lumens (per foot)	Max Candela	CRI	Lumens per Watt
2700K	98.26	34	69.3	27.29
3000K	110.9	37	70.6	30.81
3500K	115.2	37	69.5	32.91
4000K	120.7	38	66.6	36.58
Green	in testing	-	-	-
Red	37	13	N/A	17.81
Blue	7.9	3	N/A	2.43

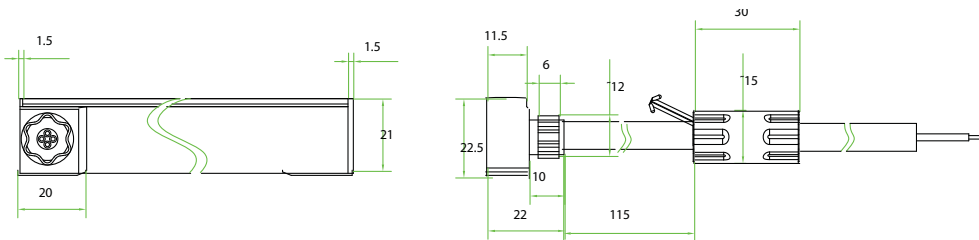


## DIMENSIONS (in mm)

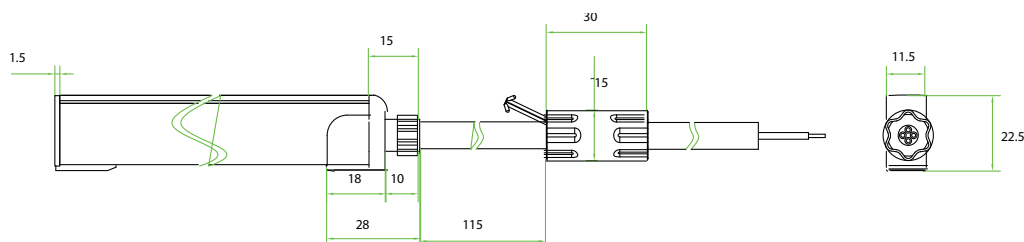
Rear Feed (FTB-125)



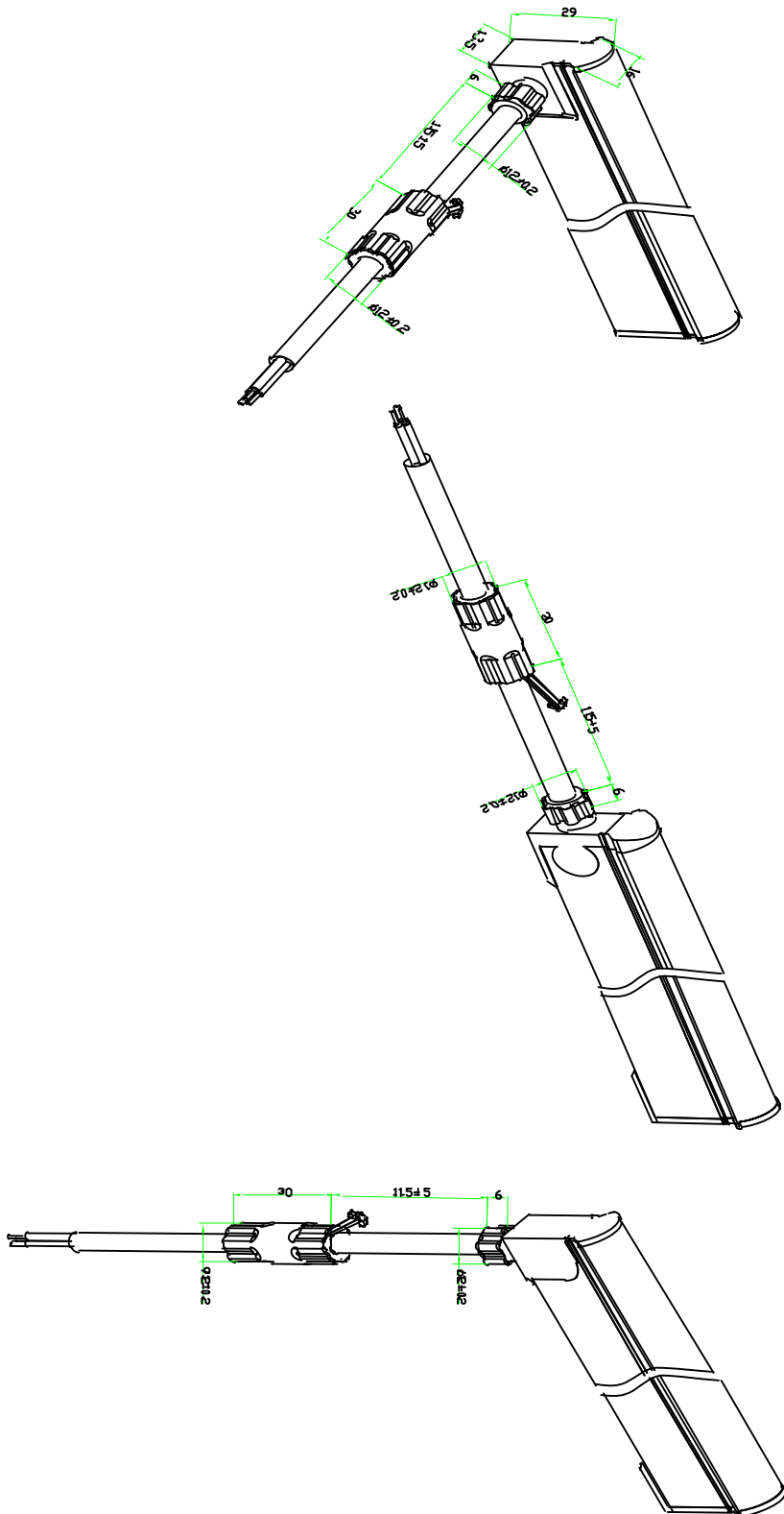
Side Feed (FTB-124)

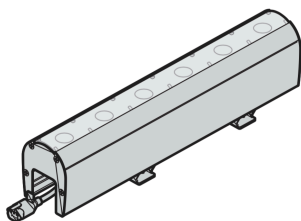


End Feed (FTB-126)



## DIMENSIONS - WVA Model (in mm)





Client:

Project:

Type:

Order Code:

Quantity:

With **Linear One**, we set out to produce a series that works with your vision instead of crowding it. Acclaim Lighting continually strives for simple goals during the design process: be useful, stay out of the way, and function wonderfully. Creativity begins with great design and Linear One is streamlined to work for you. We meticulously craft linear lights that install with no visible cables and create the clutter-free space your work deserves. This means that subtlety enhances your aesthetic as Linear One remains hidden while serving as the powerhouse behind your visual creation. Refined to work with your creativity, Linear One provides end-to-end modular functionality that adapts to your needs and never works against them. Acclaim Lighting is motivated by the passion of its users and strives to produce the very best solutions in architectural lighting. We create beautiful products that work for creativity.

## SPECIFICATIONS

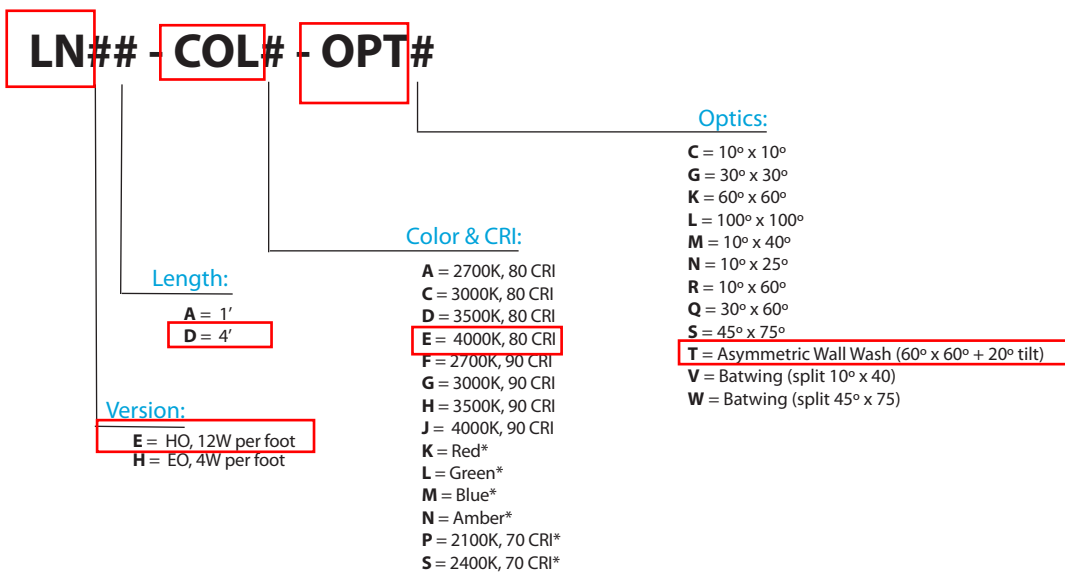
Colors	2100K, 2400K, 2700K, 3000K, 3500K, 4000K, Red, Green, Blue, Amber
Beam Angles	10° x 10°, 30° x 30°, 60° x 60°, 100° x 100°, 10° x 25°, 10° x 40°, 10° x 70°, 30° x 60°, 40° x 70° Asymmetric (60° x 60° + 20° tilt), Batwing (split 10° x 40° or 40° x 70°)
Housing Lengths	1' (304.8mm), 4' (1219.2mm)
Control	0-100% dimming via internal 0-10V driver, Maximum 300' 0-10V cable run (18AWG)
Max Fixtures in Series	80' (24m)
Power Consumption	<b>HO 1': 12W, 4': 48W EO 1': 4W, 4': 16W</b>
Operating Voltage	100-277VAC, 50/60 Hz
Lumen Maintenance	L70 @ 150,000 hours (25° C)
Mounting	90° mounting bracket included, flat mounting bracket optional
Finish	Silver / finished aluminum, marine and natatorium environment capability standard
Material	Aluminum body - Type III hard coat anodized, polycarbonate lens
Ambient Operating Temperature	-40° F to 131° F (-40° C to 55° C)
IP Rating	IP66, wet location - marine environment housing standard
IK Rating	IK10, protection against 5 joule impact (40cm distance)
Fixture Connectors	IP66 End to end multi-pin connection cables included
Warranty	5 Years, limited
Weight	<b>1': 2.4 lbs, 4': 9.7 lbs</b>
Dimensions	<b>L: 12" / 48" W: 2.12" H: 3.39"</b> (L: 305 / 1220 W: 54 H: 86.2mm)

Certifications



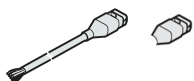
## ORDER CODES

\* indicates special order with increased lead times possible



## RELATED COMPONENTS

### Feed Cables



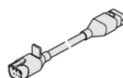
#### LNFC10

10' Feed Cable for Linear One Exterior + End Cap  
 Multi-pin connector to bare wire AC + 0-10V

#### LNFC50

50' Feed Cable for Linear One Exterior + End Cap  
 Multi-pin connector to bare wire AC + 0-10V

### Link Cables



#### LNLC0

6" Link Cable for Linear One Exterior  
 Multi-pin connector to multi-pin connector, use for curved runs

#### LNLC1

1' Link Cable for Linear One Exterior  
 Multi-pin connector to multi-pin connector

#### LNLC5

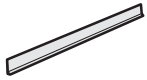
5' Link Cable for Linear One Exterior  
 Multi-pin connector to multi-pin connector

#### LNLC10

10' Link Cable for Linear One Exterior  
 Multi-pin connector to multi-pin connector

## RELATED COMPONENTS

### Optional Mounting Accessories



**LNMT1**

*1' mounting track for Linear One*

Aluminum profile, screws not included

**LNMT4**

*4' mounting track for Linear One*

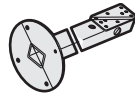
Aluminum profile, screws not included



**LNFMB**

*Flat Mounting Bracket for Linear One*

2 pcs required per fixture, factory fitted option



**LNEB1**

*1' extender bar for Linear One*

Aluminum body, screws not included

**LNEB2**

*2' extender bar for Linear One*

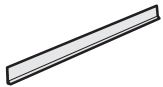
Aluminum body, screws not included

**LNEB3**

*3' extender bar for Linear One*

Aluminum body, screws not included

### Optional Beam Accessories

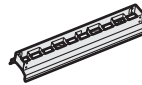


**LNEGS1**

*1' single sided glare shield for Linear One Exterior*

**LNEGS4**

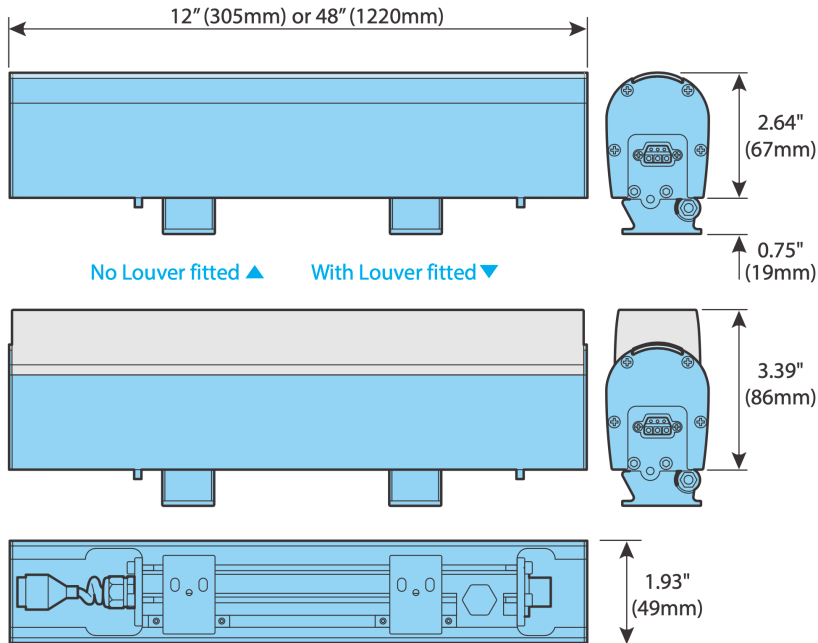
*4' single sided glare shield for Linear One Exterior*



**LNELV1**

*1' full louver for Linear One Exterior (use 4 pcs. for 4' fixture)*

## DIMENSIONS



## PHOTOMETRICS

### HO Version, 80 CRI

Color	Lumens(per foot)	Max Candela	Efficacy (l/pw)	CRI	TM30
2700K	739	5643	63	81.1	81.2
3000K	788	6291	67	82.8	81.3
3500K	772	5897	66	84.3	82.6
4000K	770	5790	65	85.4	83.2

### EO Version, 80 CRI

Color	Lumens(per foot)	Max Candela	Efficacy (l/pw)	CRI	TM30
2700K	252	1881	63	80.1	80.2
3000K	268	2097	67	82.3	81.1
3500K	264	1965	66	84.4	82.7
4000K	260	3860	65	85.3	84.2

## DESCRIPTION

The Arbor Bollard from Invue brings architectural style to the pedestrian level. The Arbor Bollard can be used along with Arbor post top luminaires to provide a coordinated look sure to enhance any architectural setting. WaveStream™ LED optics present a pixilation free image replacing visible glare, while providing high levels of pavement illumination.

<b>Catalog #</b>		<b>Type</b>
<b>Project</b>		
<b>Comments</b>		<b>Date</b>
<b>Prepared by</b>		

## SPECIFICATION FEATURES

### Construction

**Top Housing:** Low copper, cast aluminum top maintains strength and precision while providing for: rapid heat dissipation, vandal resistance and superior dayform. **Lower Housing:** Heavy 0.188" wall seamless extruded aluminum 4" O.D. shaft attaches to base via stainless steel fasteners. **BASE:** Rugged corrosion resistant extruded aluminum base mounts to foundation with three anchor bolts. Base features a pliable 1/2" thick neoprene leveling pad fitted to the bottom of base allows for sealing against water and dirt ingress regardless of minor deviations in grade of concrete pad.

### Optics

General purpose symmetric distribution is available using WaveStream LED optical technology. The optical waveguide is manufactured using precision injection molded acrylic for the ultimate level of glare control and visual comfort. Offered standard in 4000K (+/- 275K) CCT, optional 3000K minimum 80 CRI.

### Electrical

LED driver(s) are mounted to electrical tray for easy installation and maintenance for 120-277V 50/60Hz, 347V 60Hz or 480V 60Hz operation. Offered standard with 0-10V dimming driver and Cooper Lighting Solutions' proprietary circuit module designed to withstand 10kV of transient line surge. Luminaire is suitable for ambient temperature applications from -30°C (-22°F) to 40°C (104°F) and IP66 rated against the ingress of dust and water.

### Controls

The Arbor Bollard options are designed to be simple and cost-effective ASHRAE and California Title 24 compliant solutions. An integrated dimming and occupancy sensor is a standalone control option available in on/off (MSP) and bi-level dimming (MSP/DIM) operation. An optional handheld remote (ISHH) allows custom programming to suit all needs.

### Mounting

Luminaire is mounted to 3 x 1/2" anchor bolts on a 2-3/8" bolt circle to with stand a 600 pound overturn moment. Order anchor bolts and installation template separately (ABAnchor).

### Finish

Cooper Lighting Solutions utilizes premium ultra-weatherable TGIC based polyester powder coatings that are specifically formulated to withstand extended outdoor exposure. The powders are formulated exclusively for Cooper Lighting Solutions to serve functionally as well as decorative. Good film appearance combined with excellent mechanical an exterior exposure qualities display greater than twice as much gloss retention. RAL and custom color matches available. Finish is compliant with ASTM B117 3000hr salt spray standard.

### Warranty

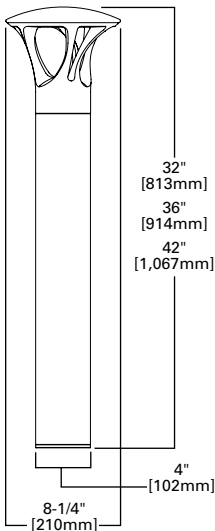
Five-year warranty.



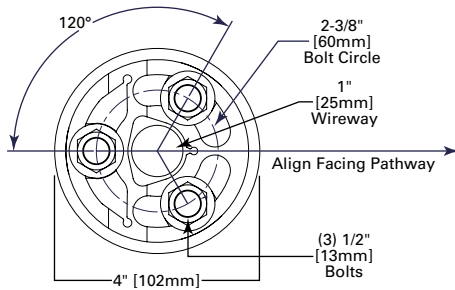
## ABB ARBOR BOLLARD

PATHWAY LUMINAIRE

## DIMENSIONS



## BOLT CIRCLE ORIENTATION



## CERTIFICATION DATA



UL/cUL Listed  
IP66 Housing  
ISO 9001  
RoHS  
Dark Sky Approved (3000K CCT and warmer only)

## ENERGY DATA

**Electronic LED Driver**  
>0.9 Power Factor  
<20% Total Harmonic Distortion  
120-277V 50/60Hz  
347V 60Hz, 480V 60Hz  
-30°C Minimum Temperature  
40°C Ambient Temperature Rating

**Approximate Net Weight:**  
19.25 lbs. [8.75 kgs.]

**POWER AND LUMENS**

Lumen/Distribution	B1 Symmetric	B2 Symmetric	B1 Asymmetric	B2 Asymmetric
<b>Drive Current</b>				
Power Wattage (Watts)	16W	32W	11W	23W
Input Current (mA) @ 120V	140	270	100	200
Input Current (mA) @ 208V	80	160	60	120
Input Current (mA) @ 240V	70	140	50	100
Input Current (mA) @ 277V	60	120	40	90
Power Wattage (Watts)	19W	37W	13W	27W
Input Current (mA) @ 347V	60	110	40	80
Input Current (mA) @ 480V	180	320	120	240
<b>Optics</b>				
Lumens	717	1,276	472	848
BUG Rating	B1-U0-G1	B1-U0-G2	B1-U0-G1	B1-U0-G2

**LUMEN MAINTENANCE**

Ambient Temperature	TM-21 Lumen Maintenance (60,000 Hours)	Calculated L70 (Hours)
25°C	>94%	>350,000
40°C	>93%	>250,000
50°C	>90%	>170,000

NOTE: Maintenance data applies to the highest drive current and represents the worst case at the highest wattage.

**LUMEN MULTIPLIER**

Ambient Temperature	Lumen Multiplier
0°C	1.02
10°C	1.01
25°C	1.00
50°C	0.97

**COLOR TEMPERATURE**

Color Temperature (CCT)	CRI (Nominal)	Multiplier (Hours)
4000	70	1.00
3000	80	0.87

**ORDERING INFORMATION**

Sample Number: ABB-B2-LED-42-D1-A-GM

Product Family	Lumen Output <sup>1</sup>	Source	Nominal Height	Voltage	Distribution	Color
ABB=Arbor Bollard	B1=Mid Lumen Output B2=High Lumen Output	LED	30=32" 36=36" 42=42"	D1=Dimming Driver (120-277V) <sup>2</sup> 347=347V <sup>3</sup> 480=480V <sup>3,4</sup>	A=Asymmetric S=Symmetric	AP=Grey BZ=Bronze BK=Black DP=Dark Platinum GM=Graphite Metallic WH=White CC=Custom Color <sup>5</sup>
<b>Options</b> (Add as Suffix)					<b>Accessories</b> (Order Separately)	
8030=80 CRI / 3000K CCT <sup>6</sup> HA=High Ambient <sup>7</sup> MS/DIM-H8=Motion Sensor for Dimming or Bi-Level Operation (Horizontal Detection) <sup>8</sup> MS/DIM-2H8=Twin Motion Sensors for 360° Dimming or Bi-Level Operation (Horizontal Detection) <sup>8</sup> DIM=0-10V Dimming Driver Leads Brought Out from Fixture					ABAAnchor=Anchor Bolt Kit and Template <sup>9</sup> ISHH=Wireless Configuration Tool for Integrated Sensor (Occupancy Sensor Settings)	

- NOTES:**
- Standard 4000K CCT nominal 70 CRI.
  - Dimming driver standard.
  - Requires the use of a step down transformer.
  - Only for use with 480V Wye systems. Per NEC, not for use with ungrounded systems, impedance grounded systems or corner grounded systems (commonly known as Three Phase Three Wire Delta, Three Phase High Leg Delta and Three Phase Corner Grounded Delta systems).
  - RAL and custom color matching available. Consult your lighting representative at Cooper Lighting Solutions for more information.
  - Extended lead times apply. Use dedicated IES files when performing layouts.
  - 50°C ambient rating.
  - The ISHH configuration tool is required to adjust parameters including high and low dimming levels, sensitivity, time delay, cutoff and more. Consult your lighting representative at Cooper Lighting Solutions for more information.
  - Contact your customer service representative at Cooper Lighting Solutions for advance shipping.





Client:

Project:

Type:

Order Code:

Quantity:

**Dyna Accent White** is a high output, outdoor rated, white color LED floodlight. It features an internal 100-277VAC power supply, onboard DMX+RDM driver, and each unit carries Acclaim's Aria wireless DMX technology inside. The optical system and high power LED provide exceptional output and efficacy. It comes with a narrow 5° beam standard, with optional quick-change spread lenses for wider applications. It is ideal for facade lighting applications and as an area floodlight.

## SPECIFICATIONS

Colors	2700K, 3000K, 3500K, 4000K, 5700K
Beam Angles	5° standard, 10°, 20°, 40°, 60°, 10° x 60° spread lens options
Photometrics	Up to 1910 lumens, 183,000 cd, see page 4 for details
Effective Projected Area	0.96 ft <sup>2</sup>
Control	DMX+RDM, Manual color setting in menu, photocell included, Aria wireless direct connect
Max Fixtures in Series	32 via DMX, power local to each fixture
Power Consumption	40W
Operating Voltage	100-277VAC, 50/60 Hz
Lumen Maintenance	L70 @ 150,000 hours (25° C)
Mounting	1/2" NPT pipe (O.D.=0.855"), 4" round elec. box, landscape stake or surface mounting plate
Finish	Gray standard (RAL 7047), black, white, and custom colors optional
Material	Die cast aluminum, glass top lens, optional marine coating available
Ambient Operating Temperature	-40° F to 125° F (-40° C to 51° C)
IP Rating	IP66, wet location
IK Rating	IK07, protection against 2 joule impact
Fixture Connectors	Attached 5' (1.5m) AWM 21388 IP66 hybrid cable, AC power + DMX/RDM
Warranty	5 Years, limited
Weight	10 lbs. (4.53 kg)
Dimensions	<b>L:</b> 11.37" x <b>W:</b> 6.14" x <b>H:</b> 11.06" (289mm x 156mm x 281mm)

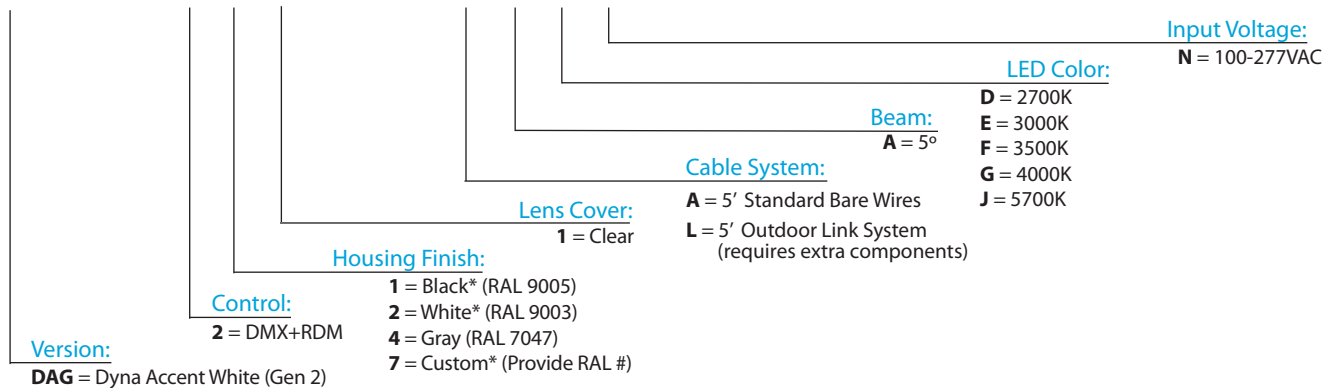
Certifications



## ORDER CODES

\* indicates special order, which may require a longer lead time

### DAG - 2 # 1 - # A # N



## RELATED COMPONENTS

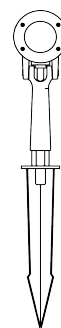
### Optional Beam Accessories



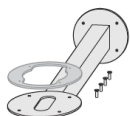
**DMAEBM**  
4" round electrical box mount  
for Dyna Accent White



**DMADSM**  
Direct surface mount  
for Dyna Accent White



**DMASTM**  
Landscape stake mount  
for Dyna Accent White



**DYNAFEB#**  
For use with 4" round electrical box mount  
Available in 6", 12", 18" and 36" lengths  
Order Code Example: DYNAFEB6

## RELATED COMPONENTS



**DAGSL10**  
*10° Spread lens for Dyna Accent*

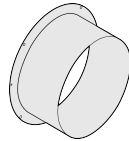
**DAGSL20**  
*20° Spread lens for Dyna Accent*

**DAGSL40**  
*40° Spread lens for Dyna Accent*

**DAGSL60**  
*60° Spread lens for Dyna Accent*

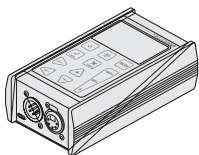
**DAGSL100**  
*100° Spread lens for Dyna Accent*

**DAGSL1060**  
*10° x 60° Spread lens for Dyna Accent*



**DAGFSG** *Full snoot for Dyna Accent, Gray*  
**DAGFSB** *Full snoot for Dyna Accent, Black*  
**DAGFSW** *Full snoot for Dyna Accent, White*  
**DAGFSC** *Full snoot for Dyna Accent, Custom (provide RAL #)*

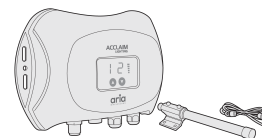
## Control Accessories



**XMT350**  
*DMX + RDM Addressing and Testing Tool*



**ARIA WDS**  
*Aria Wireless DMX System*



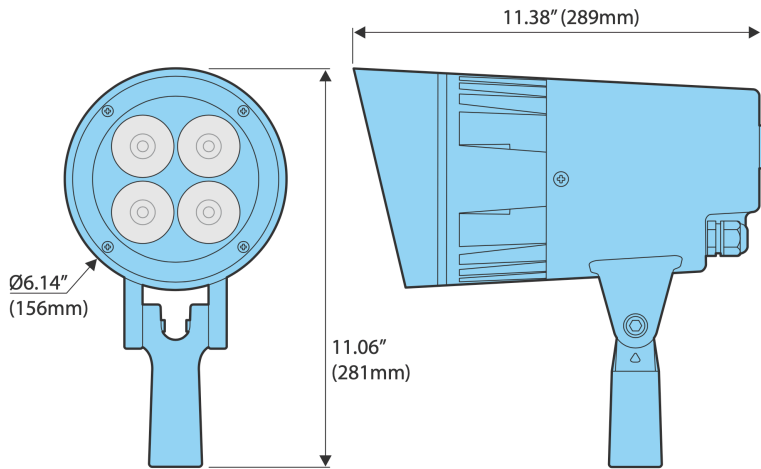
**ARIA RE**  
*Aria Wireless Range Extender*



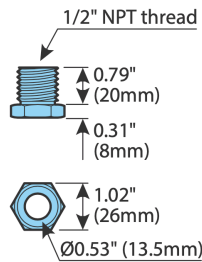
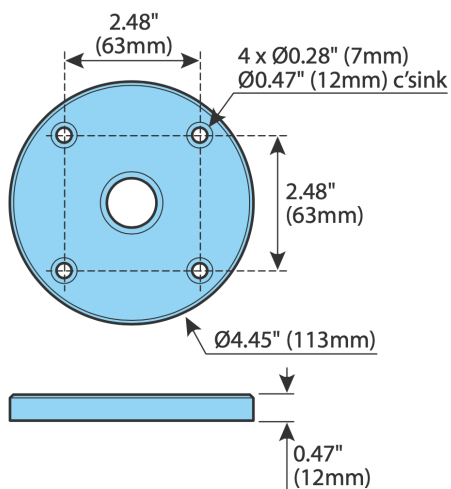
**UDM**  
*Universal Dimming Module*  
*Converts 0-10V Sink and Source to DMX*

## DIMENSIONS

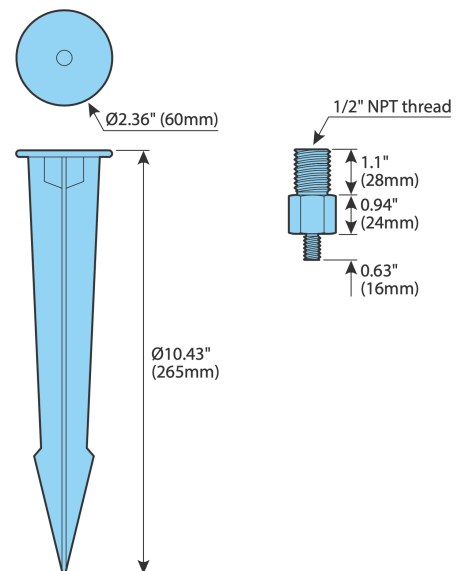
Main Body



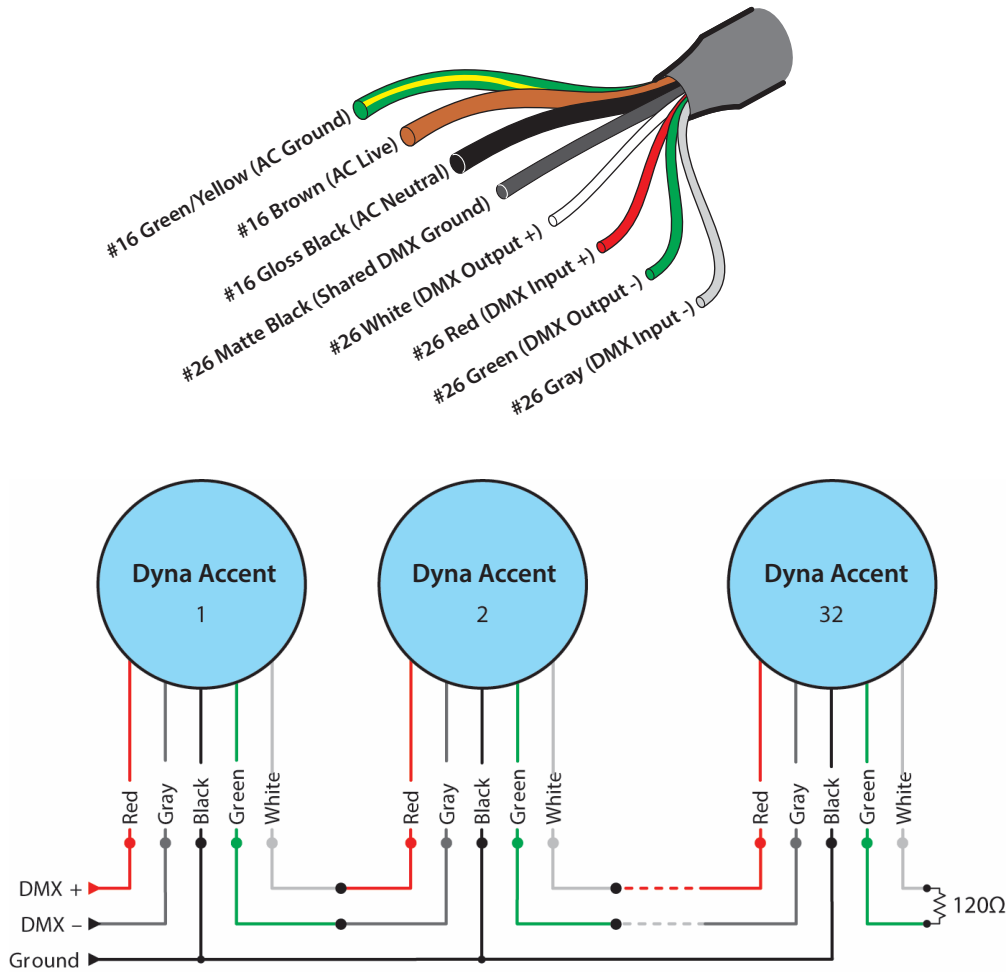
Electrical Box and Direct Surface Mount



Landscape Stake and Joiner



## WIRING



## PHOTOMETRICS

Color Temp / Beam	Lumens	Center Candela	Efficacy (l/pw)	CRI (Ra)	TM30
2700K, 5°	Testing in progress				
3000K, 5°	Testing in progress				
3500K, 5°	Testing in progress				
4000K, 5°	1,794	174,769	45	80.3	81.2
5700K, 5°	1,910	183,000	47	80.2	81

