


0 45 90 180 270 360 Feet

SP2018-018 - 125 NATIONAL DR
SITE PLAN - LOCATION MAP = 



City of Rockwall

Planning & Zoning Department
385 S. Goliad Street
Rockwall, Texas 75032
(P): (972) 771-7745
(W): www.rockwall.com

The City of Rockwall GIS maps are continually under development and therefore subject to change without notice. While we endeavor to provide timely and accurate information, we make no guarantees. The City of Rockwall makes no warranty, express or implied, including warranties of merchantability and fitness for a particular purpose. Use of the information is the sole responsibility of the user.

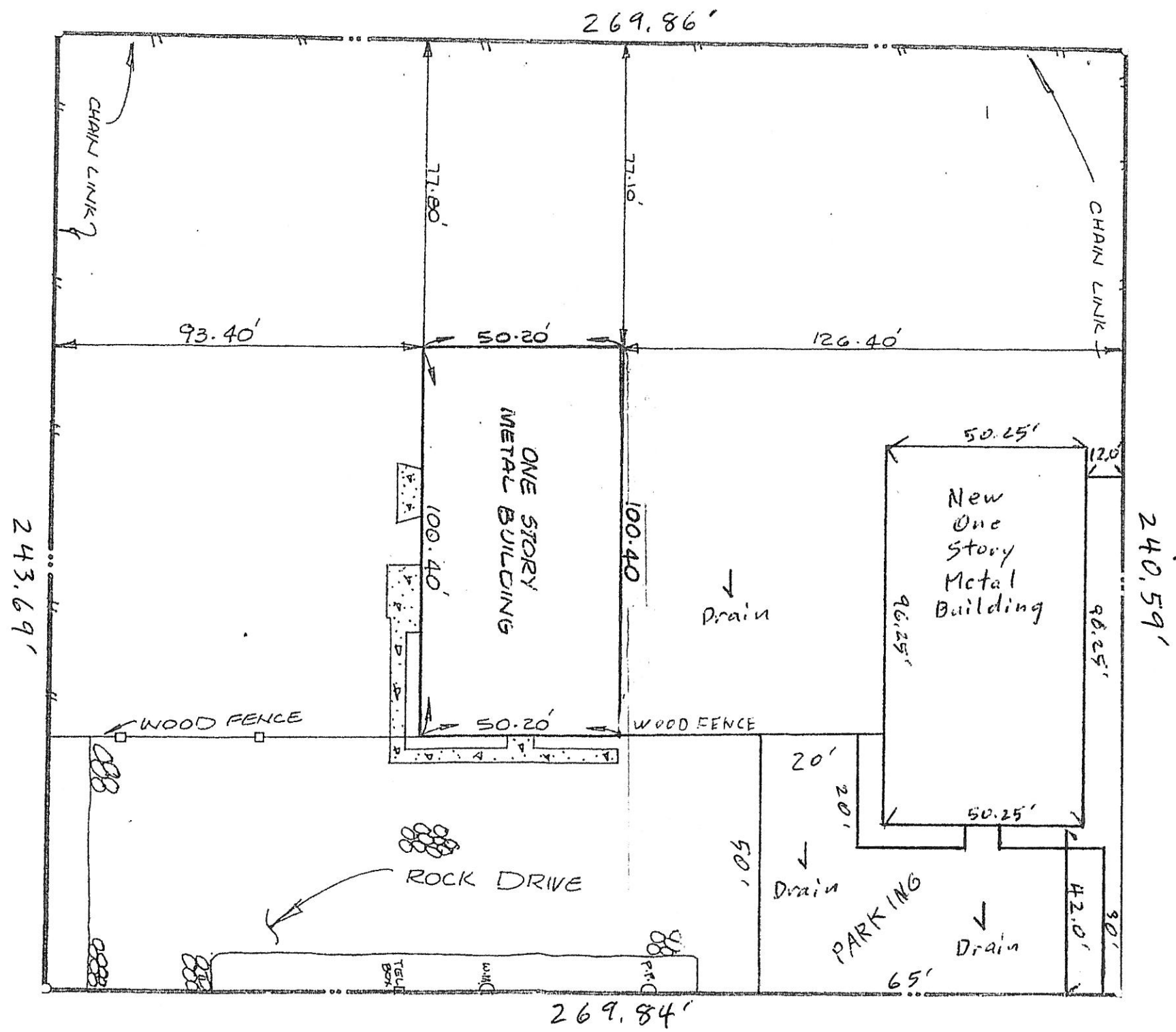


125 National Dr
Rockwall

New metal building for warehouse business will be built to match the other existing buildings located on National Drive. We will have 2 trees planted in the front. Concrete parking per plan. No exterior lighting.

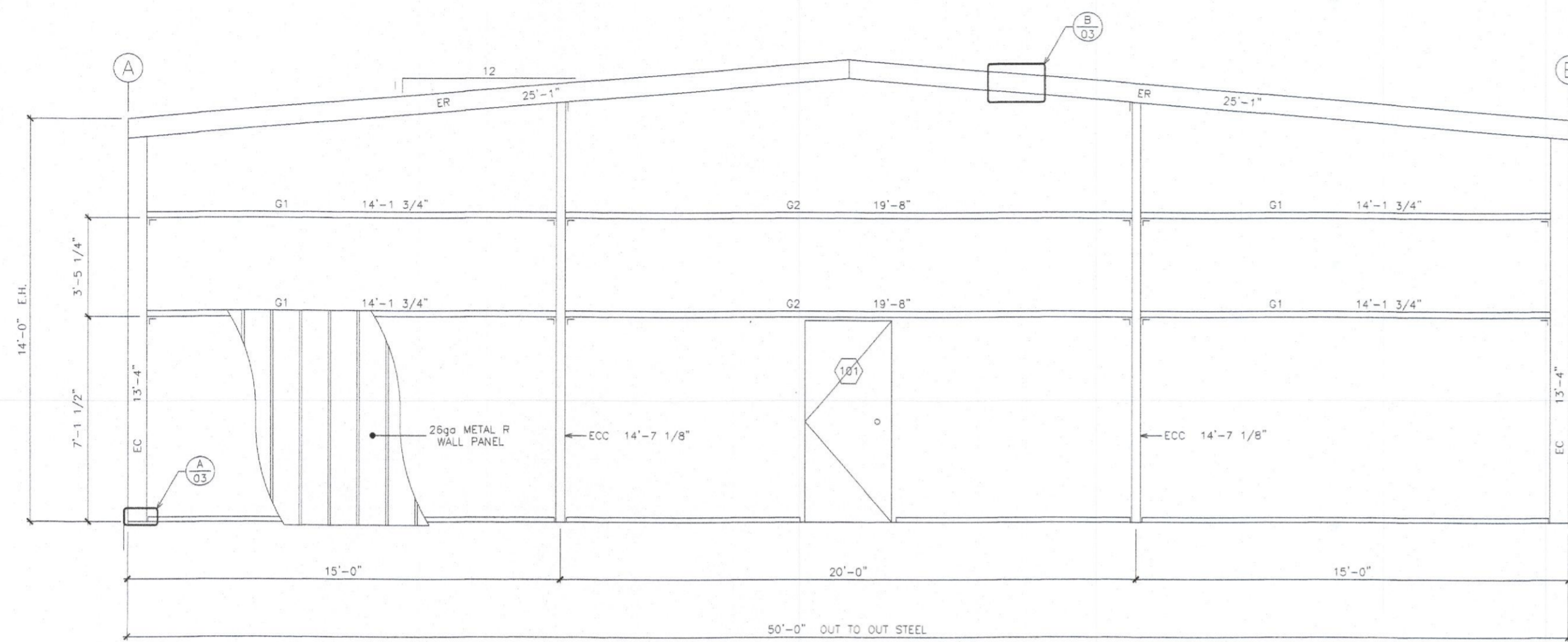


David Osborn
214-546-4826



125 NATIONAL DR.

COLUMN LINE 1

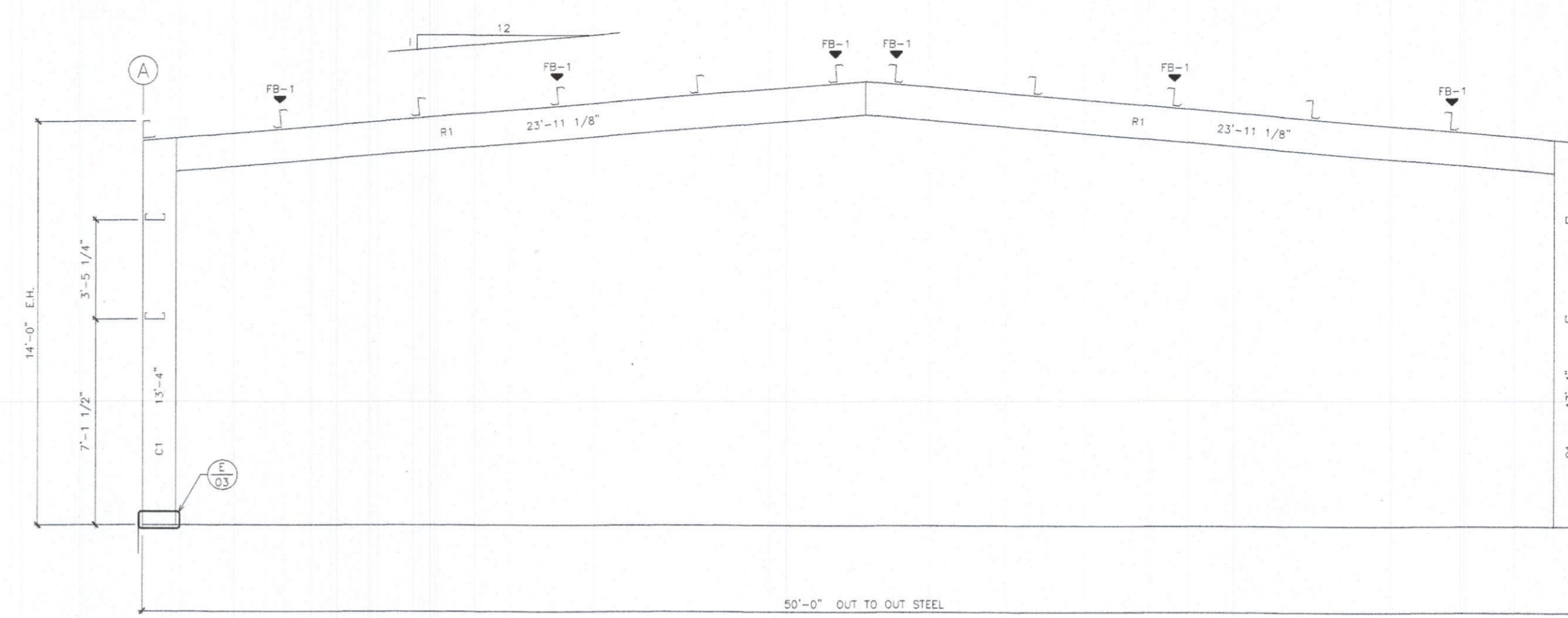


ITEM	DESCRIPTION	SIZE	LENGTH	QTY.
EC	ENDWALL COLUMN	8" X 3 1/2" X 14ga - Cee	13'-4"	2
ER	ENDWALL RAFTER	8" X 3 1/2" X 14ga - Cee	25'-1"	2
ECC	ENDWALL CENTER COLUMN	8" X 3 1/2" X 14ga - Cee	14'-7 1/8"	2
G1	WALL GIRT	8" X 2 1/2" X 16ga - Cee	14'-1 3/4"	4
G2	WALL GIRT	8" X 2 1/2" X 16ga - Cee	19'-8"	2
101	METAL DOOR	WHITE W/ 8 1/4" FRAME	3070	1

NOTE:
DESIGN MEETS THE REQUIREMENTS OF IBC 2015

NOTE:
FIELD LOCATE 3070 METAL DOOR

COLUMN LINE 2, 3 & 4

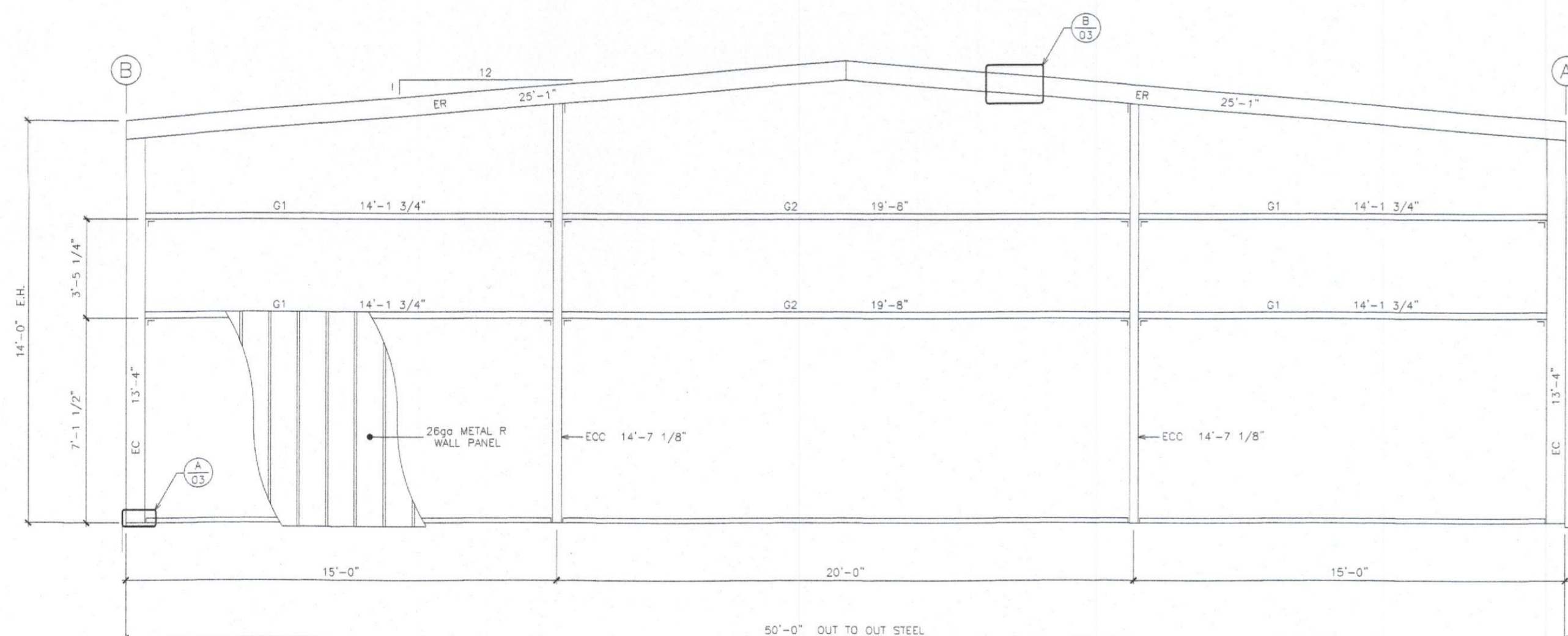


INDICATES A FLANGE BRACE LOCATION, NEAR & FAR SIDE, REF. DT - F, PG 03

ITEM	DESCRIPTION	SIZE	LENGTH	QTY.
G1	MAIN FRAME COLUMN	W14" X 26# WFB	13'-4"	2
R1	MAIN FRAME RAFTER	W14" X 26# WFB	23'-11 1/8"	2
FB-1	FLANGE BRACE	1/8" X 2" X 2" ANGLE	1'-10 7/8"	12

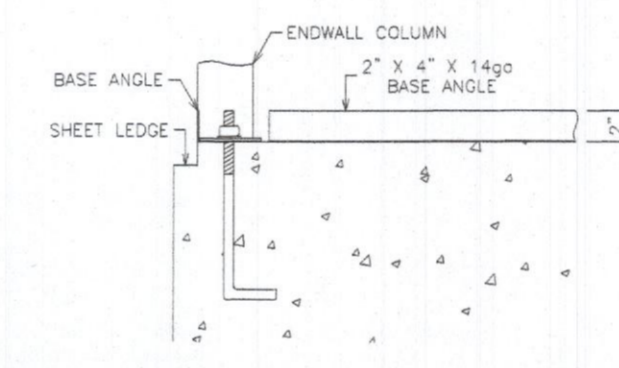
NOTE:
DESIGN MEETS THE REQUIREMENTS OF IBC 2015

COLUMN LINE 5

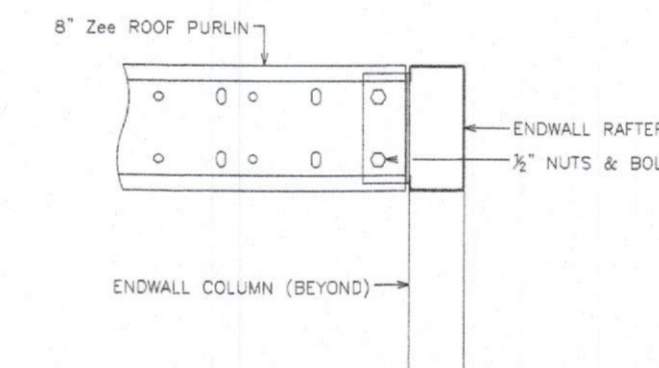


ITEM	DESCRIPTION	SIZE	LENGTH	QTY.
EC	ENDWALL COLUMN	8" X 3 1/2" X 14ga - Cee	13'-4"	2
ER	ENDWALL RAFTER	8" X 3 1/2" X 14ga - Cee	25'-1"	2
ECC	ENDWALL CENTER COLUMN	8" X 3 1/2" X 14ga - Cee	14'-7 1/8"	2
G1	WALL GIRT	8" X 2 1/2" X 16ga - Cee	14'-1 3/4"	4
G2	WALL GIRT	8" X 2 1/2" X 16ga - Cee	19'-8"	2

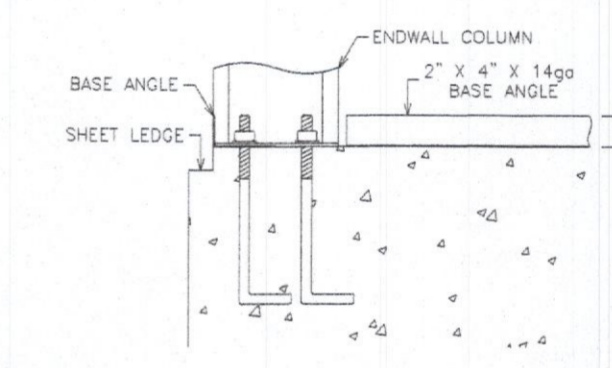
NOTE:
DESIGN MEETS THE REQUIREMENTS OF IBC 2015



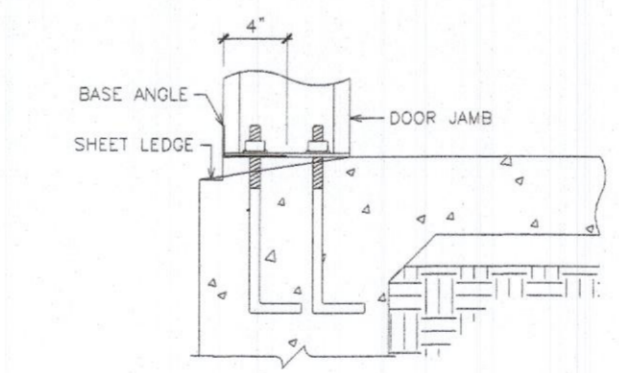
SECTION DETAIL - A
SCALE: 1" = 1'-0"



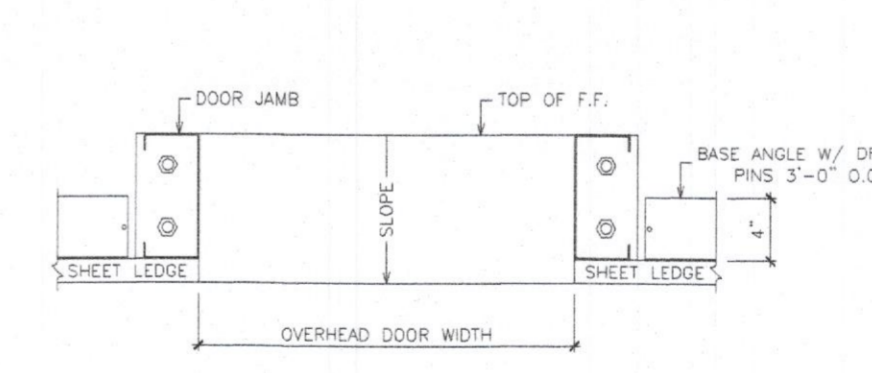
SECTION DETAIL - B
SCALE: 1" = 1'-0"



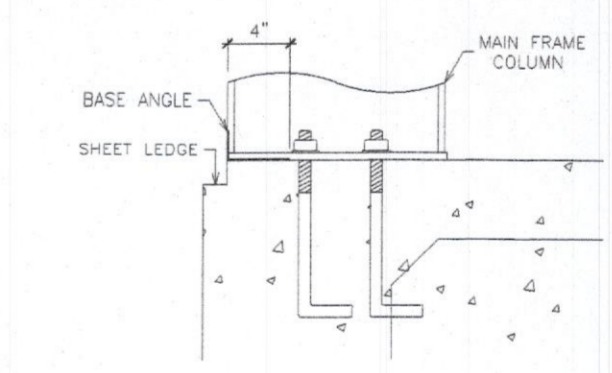
SECTION DETAIL - C
SCALE: 1" = 1'-0"



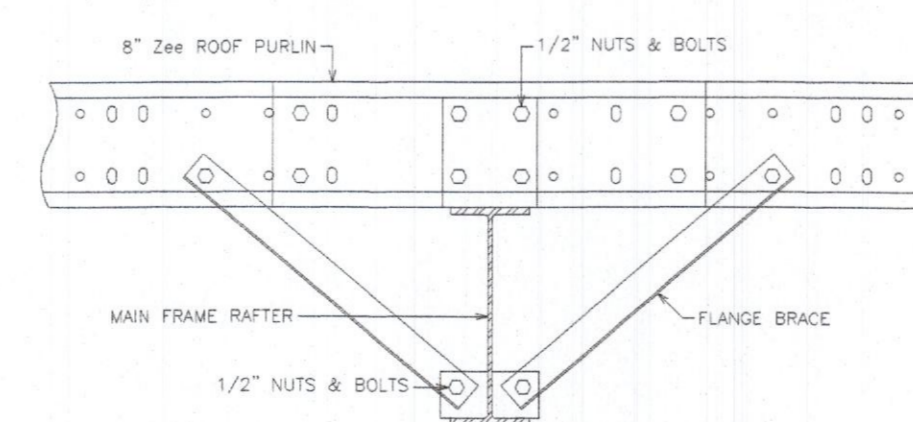
SECTION DETAIL - D (SIDE VIEW)
SCALE: 1" = 1'-0"



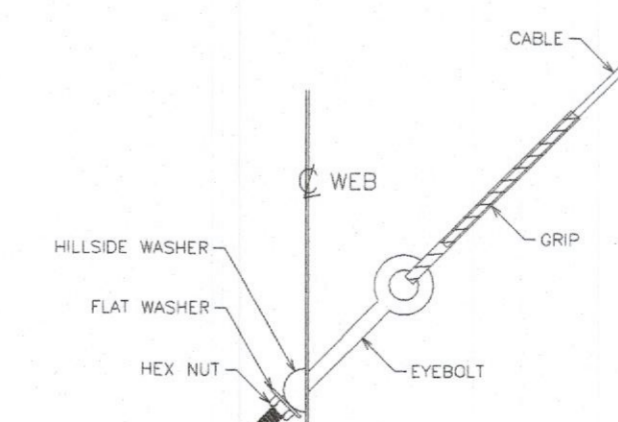
SECTION DETAIL - D (TOP VIEW)
SCALE: 1" = 1'-0"



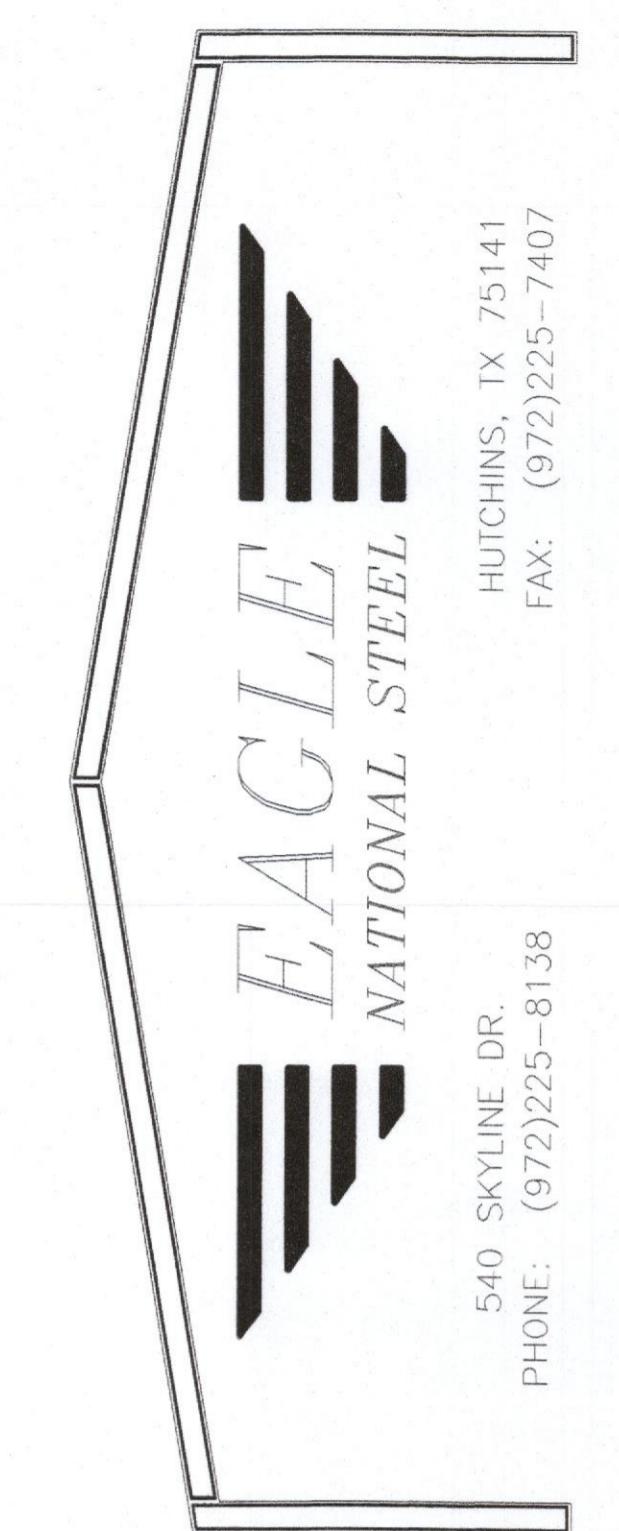
SECTION DETAIL - E
SCALE: 1" = 1'-0"



SECTION DETAIL - F
SCALE: 1" = 1'-0"



CABLE BRACING DETAIL
SCALE: 1" = 1'-0"

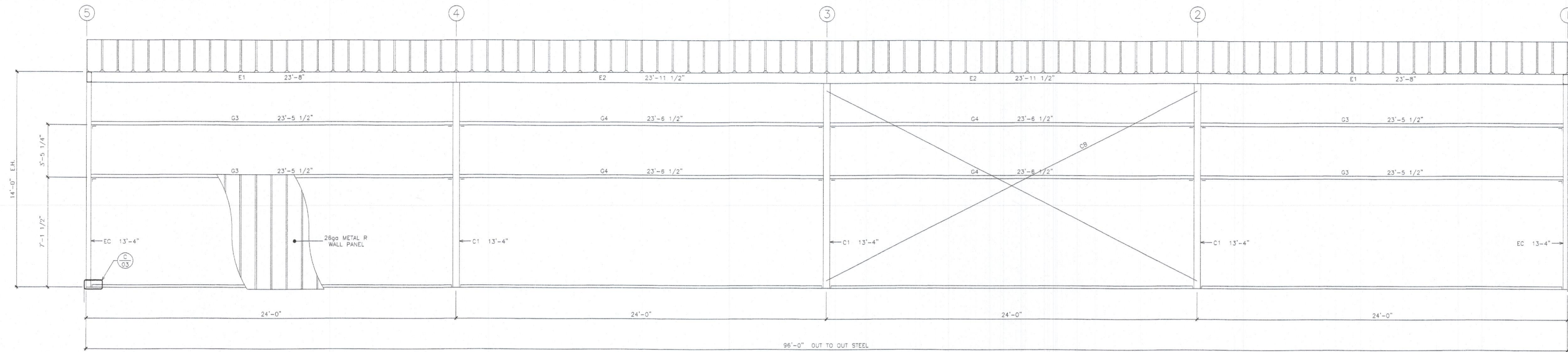


CUSTOMER:
STREET:
CITY/STATE/ZIP: ROCKWALL, TX
SCALE: 1/4" = 1'-0"
DRAWN BY: A. SHIRLEY
DATE: 04/24/2018
CONTRACTOR: LONE STAR STEEL STRUCTURES
REVISION:
REVISION:
JOB NUMBER: 823-18
DRAWING TITLE: FRAME ELEVATIONS
SHEET NUMBER: 03 OF 05

PROFESSIONAL ENGINEER



COLUMN LINE A

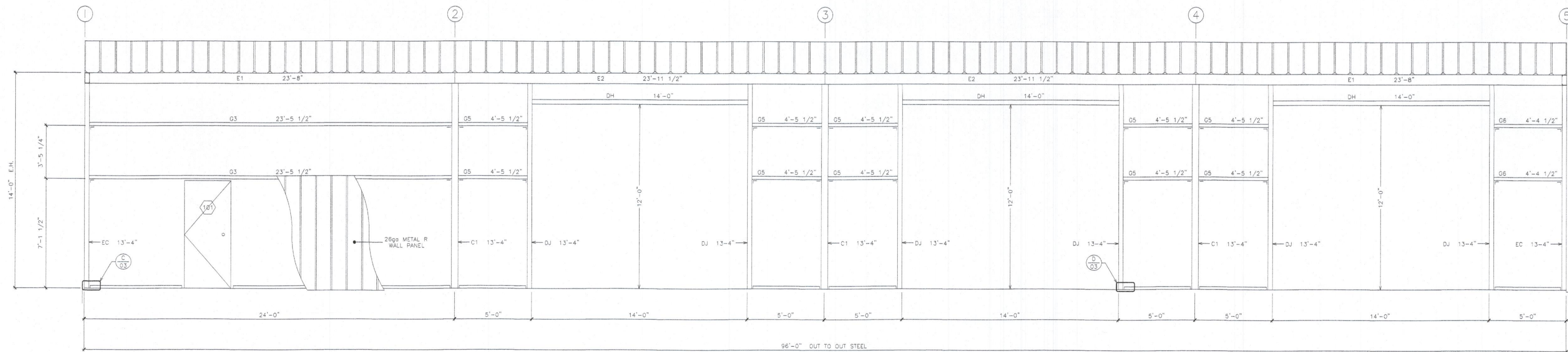


ITEM	DESCRIPTION	SIZE	LENGTH	QTY
EC	ENDWALL COLUMN	8" X 3 1/2" X 14ga - Cee	13'-4"	2
C1	MAIN FRAME COLUMN	W14" X 26# WFB	13'-4"	3
G3	WALL GIRT	8" X 2 1/2" X 14ga - Cee	23'-5 1/2"	4
G4	WALL GIRT	8" X 2 1/2" X 14ga - Cee	23'-6 1/2"	4

NOTE:
DESIGN MEETS THE REQUIREMENTS OF IBC 2015

ITEM	DESCRIPTION	SIZE	LENGTH	QTY
E1	EAVE STRUT	8" X 14ga	23'-8"	2
E2	EAVE STRUT	8" X 14ga	23'-11 1/2"	2
CB	CABLE BRACING	3/8" GALVANIZED	28'-0"	2

COLUMN LINE B



ITEM	DESCRIPTION	SIZE	LENGTH	QTY
EC	ENDWALL COLUMN	8" X 3 1/2" X 14ga - Cee	13'-4"	2
C1	MAIN FRAME COLUMN	W14" X 26# WFB	13'-4"	3
DH	DOOR HEADER	8" X 3 1/2" X 14ga - Cee	14'-0"	3
DJ	DOOR JAMB	8" X 3 1/2" X 14ga - Cee	13'-4"	6
101	METAL DOOR	WHITE W/ 8 1/4" FRAME	3070	1

NOTE:
DESIGN MEETS THE REQUIREMENTS OF IBC 2015

NOTE:
FIELD LOCATE 3070 METAL DOOR

ITEM	DESCRIPTION	SIZE	LENGTH	QTY
G3	WALL GIRT	8" X 2 1/2" X 14ga - Cee	23'-5 1/2"	2
G5	WALL GIRT	8" X 2 1/2" X 14ga - Cee	4'-5 1/2"	10
G6	WALL GIRT	8" X 2 1/2" X 14ga - Cee	4'-4 1/2"	2
E1	EAVE STRUT	8" X 14ga	23'-8"	2
E2	EAVE STRUT	8" X 14ga	23'-11 1/2"	2



HUTCHINS, TX 75141
PHONE: (972)225-8138
FAX: (972)225-7407

CUSTOMER:
STREET:
CITY/STATE/ZIP: ROCKWALL, TX
SCALE: 1/4" = 1'-0"
DRAWN BY: A. SHIRLEY
DATE: 04/24/2018
CONTRACTOR: LONE STAR STEEL STRUCTURES
REVISION:
REVISION:
JOB NUMBER: 823-18
DRAWING TITLE: SIDEWALL ELEVATION
SHEET NUMBER: 04 OF 05

PROFESSIONAL ENGINEER



FIRM # 5800