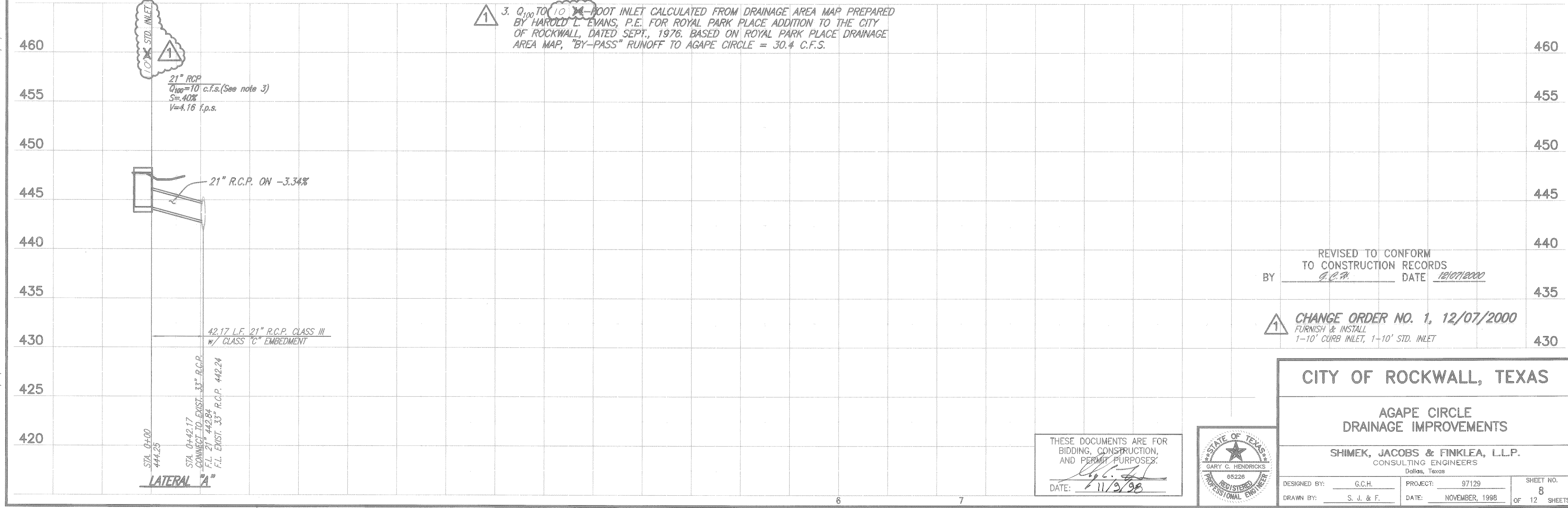


- NOTES:**
1. CONTRACTOR SHALL MAINTAIN POSITIVE DRAINAGE AT ALL TIMES DURING CONSTRUCTION OF THIS PROJECT.
 2. CONTRACTOR SHALL CLEAN, REGRADE & SOD THE OUTFALL CHANNEL OF THE 33-INCH STORM DRAIN TO PROVIDE POSITIVE DRAINAGE TO LAKE RAY HUBBARD. PAYMENT PER LINEAR FOOT OF CHANNEL REGRADING AS PROVIDED IN THE PROPOSAL & BID SCHEDULE.
 3. Q_{100} TO 10' STD. INLET CALCULATED FROM DRAINAGE AREA MAP PREPARED BY HAROLD L. EVANS, P.E. FOR ROYAL PARK PLACE ADDITION TO THE CITY OF ROCKWALL, DATED SEPT., 1976. BASED ON ROYAL PARK PLACE DRAINAGE AREA MAP, "BY-PASS" RUNOFF TO AGAPE CIRCLE = 30.4 C.F.S.

BENCHMARKS
 TBM SB-2
 "C" CUT ON CURB RETURN OF ALLEY EAST SIDE OF LAKE SHORE DR. ELEV. 467.40
 TBM SB-3
 "C" CUT ON INLET, N.E. CORNER OF BOYDSTON & FORREST TRACE ELEV. 490.28

These plans and related specifications were prepared for construction of this specific project only. Reuse of these documents is not permitted without written authorization of Shimek, Jacobs & Finklea, L.L.P.



REVISOR TO CONFORM TO CONSTRUCTION RECORDS
 BY G.C.F. DATE 12/07/2000
CHANGE ORDER NO. 1, 12/07/2000
 FURNISH & INSTALL 1-10' CURB INLET, 1-10' STD. INLET

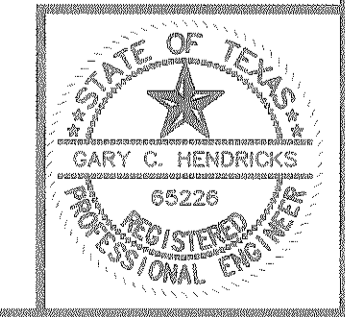
CITY OF ROCKWALL, TEXAS

AGAPE CIRCLE DRAINAGE IMPROVEMENTS

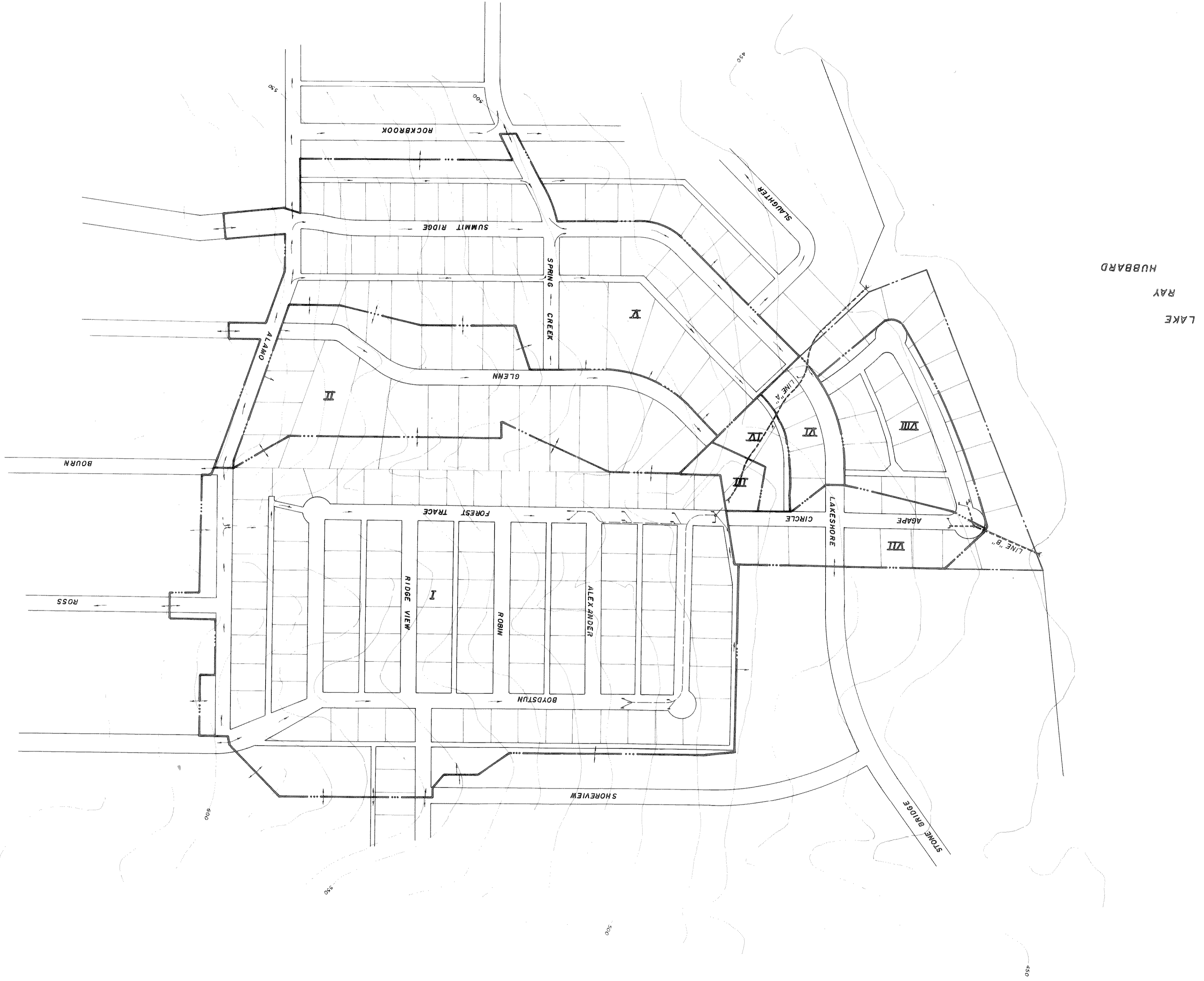
SHIMEK, JACOBS & FINKLEA, L.L.P.
 CONSULTING ENGINEERS
 Dallas, Texas

DESIGNED BY: G.C.H.	PROJECT: 97129	SHEET NO. 8
DRAWN BY: S. J. & F.	DATE: NOVEMBER, 1998	OF 12 SHEETS

THESE DOCUMENTS ARE FOR BIDDING, CONSTRUCTION, AND PERMIT PURPOSES.
 DATE: 11/2/98



97129-06.DWG 11/02/98 MAB BLOCKS PROF-392 ASBUILT: 12/07/2000 JPO



HUBBARD
RAY
LAKE

Drainage Area (Number)	Area (Acres)	Coefficient of Runoff	Time of Concentration (Min)	Intensity (in/hr)	Total (cfs)	By-Passed (cfs)	Accumulated (cfs)	Pipe Design (cfs)
I	41.73	0.40	6.2	8.4	140.21	18.21	122	122
II	11.49	0.40	6.4	8.3	38.15	(to Line "B")	160.15	162.67
III	0.76	0.40	6.5	8.3	2.52	--	162.67	162.67
IV	0.09	0.40	6.6	8.2	3.58	--	166.25	166.25
V	19.78	0.40	6.8	8.1	64.09	--	230.34	196.25
VI	1.76	0.40	6.8	8.1	4.79	--	235.13	235.13
LINE "B"								
VII	3.86	0.40	5.0	9.0	13.90	12.11	32.11	20.00
VIII	4.48	0.40	5.0	9.0	16.13	--	48.24	48.24
"By-Pass" from Line "A"								
					18.21		18.21	

DESIGN: H.L.E.
DRAWN: Danny O.
SCALE: 1" = 200'
DATE: SEPT. 1976

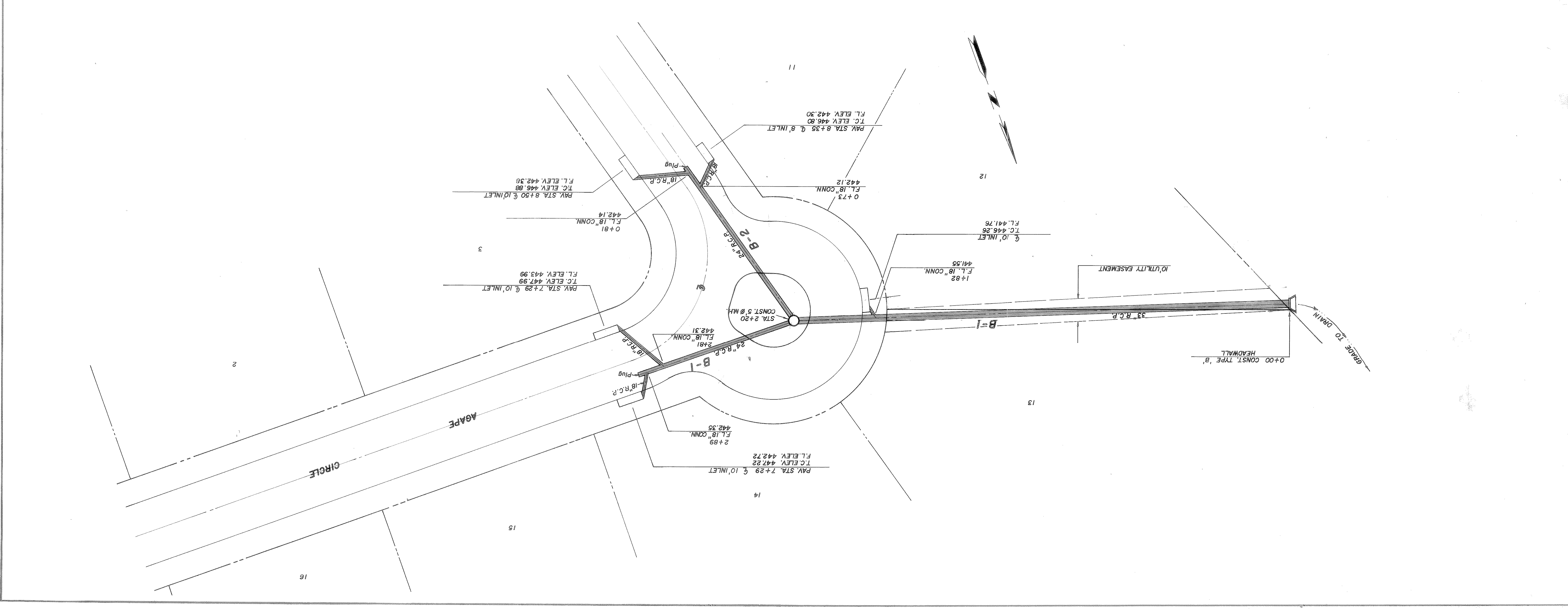
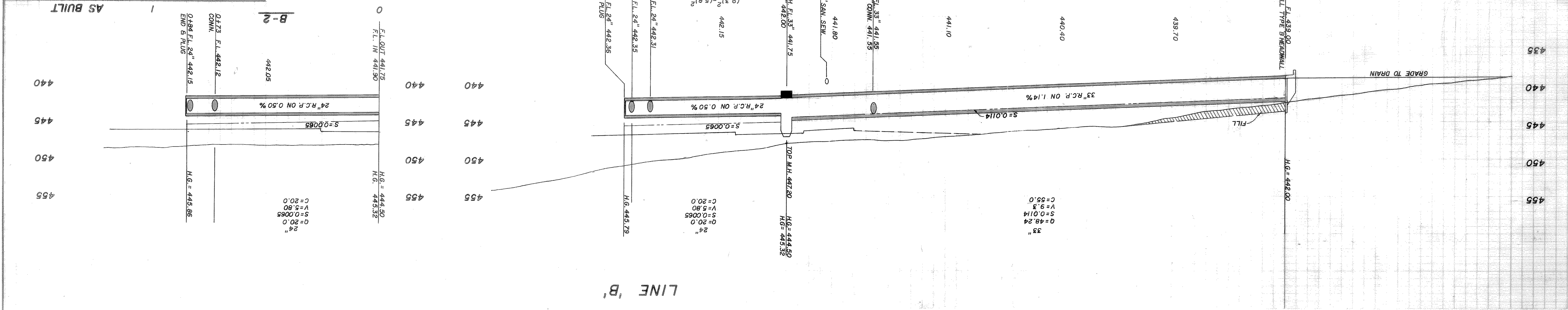
DRAINAGE AREA MAP

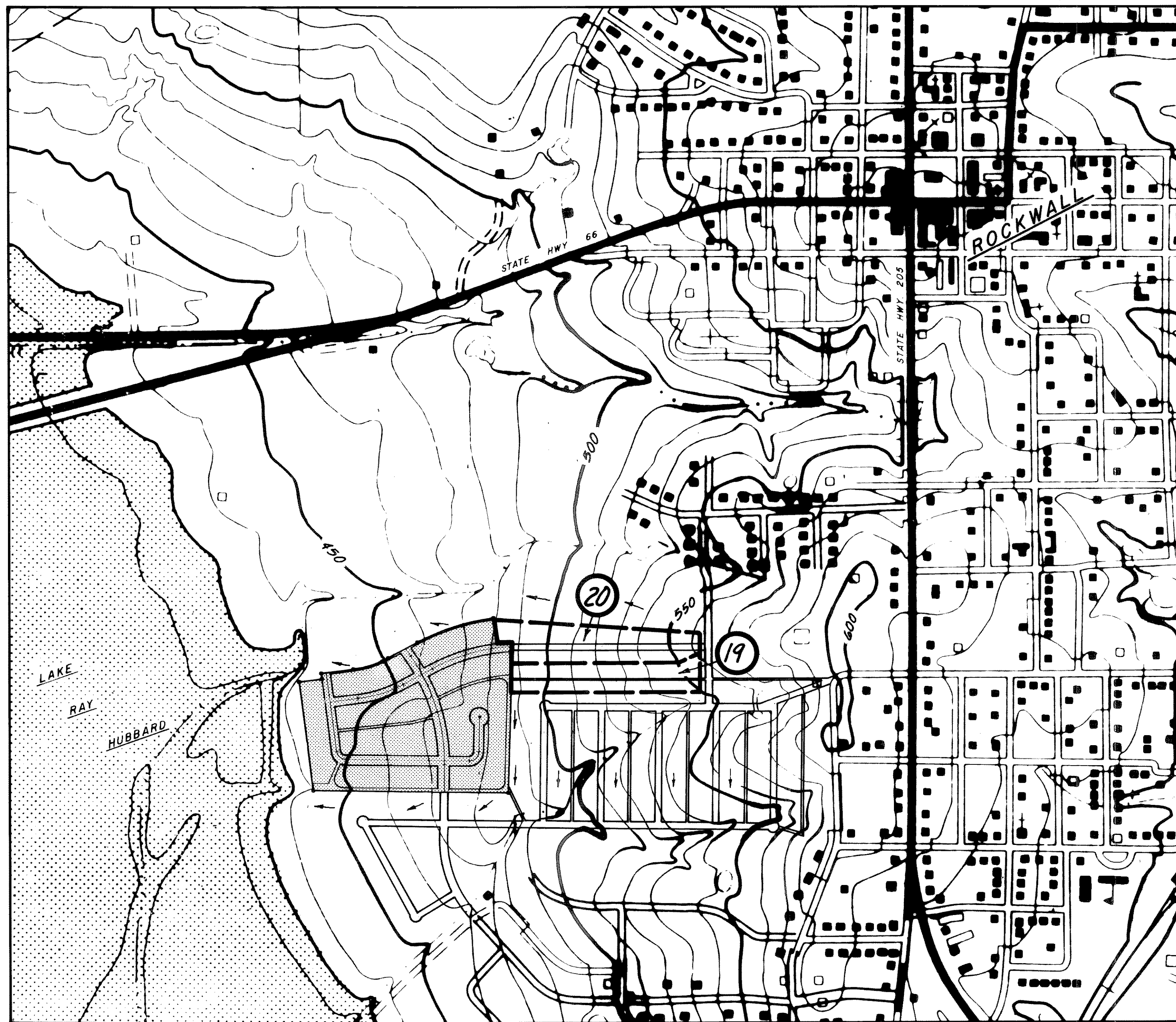
ROYAL PARK PLACE

AS BUILT

HAROLD L. EVANS CONSULTING ENGINEER

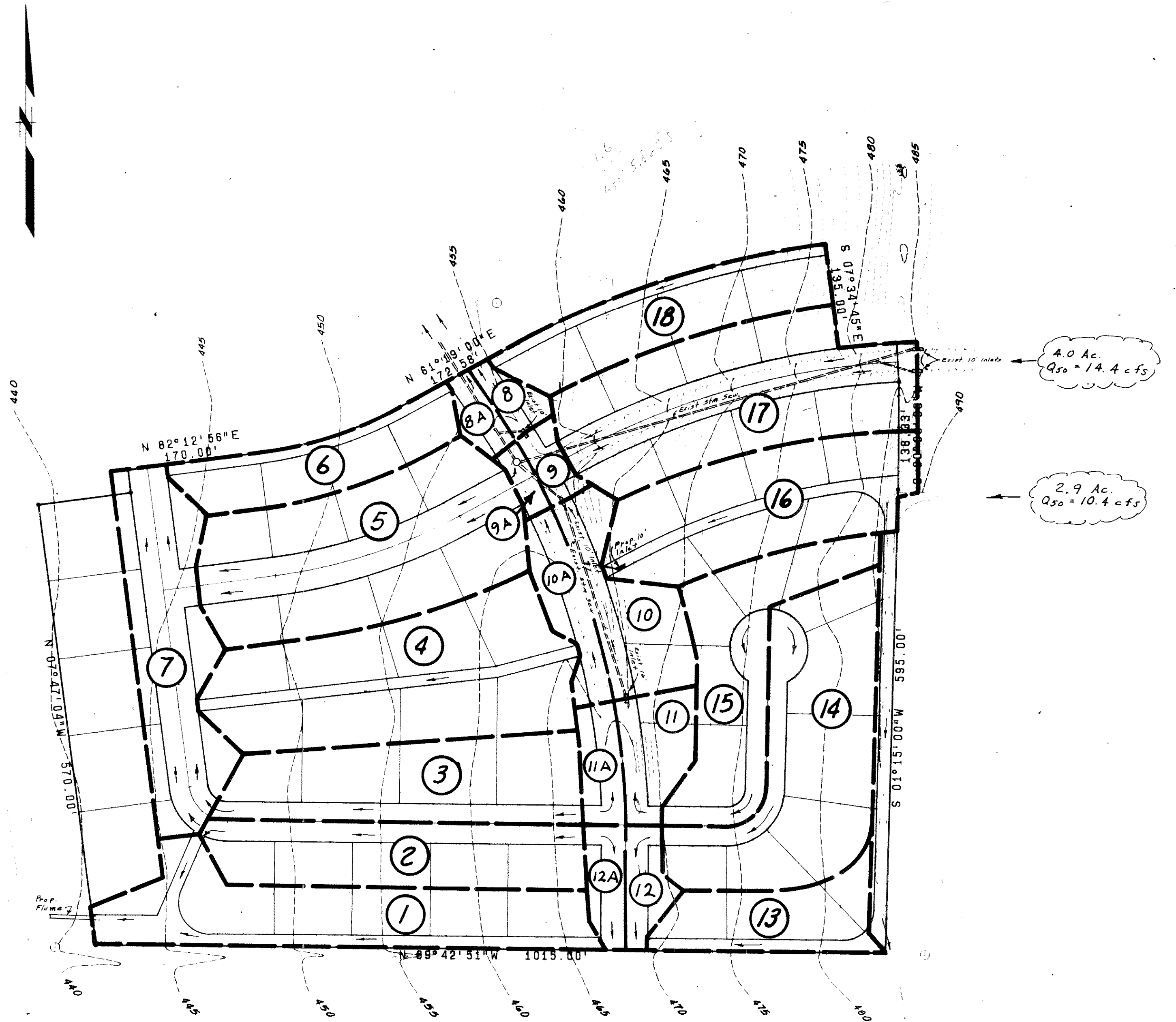
NO.	FILE	SCALE	DATE	DESIGN	H.A.R.O.L.D. L. E.V.A.N.S. & C.O.N.S.U.L.T.I.N.G. E.N.G.I.N.E.E.R.
ROCKWALL COUNTY, TEXAS					
ROYAL PARK PLACE					
PROPOSED STORM SEWER					
AS BUILT					
H.L.E. L.B.M. SEPT. 1978 1"=20' H.V.					
7648					





OFF-SITE DRAINAGE AREAS

SCALE: 1" = 400'



ON-SITE DRAINAGE AREAS

SCALE: 1" = 100'

DRAINAGE AREAS				
No.	Acres	C	I ₅₀	Q ₅₀
1	1.3	0.4	9.0	4.7
2	0.9			3.2
3	0.9			3.2
4	1.7			6.1
5	1.6			5.8
6	0.7			2.5
7	1.0			3.6
8	0.1			0.4
9	0.1			0.4
10	0.5			1.8
11	0.4			1.4
12	0.2			0.7
13	0.7			2.5
14	1.1			4.0
15	0.9			3.2
16	1.2			4.3
17	1.6			5.8
18	0.9			3.2
19	2.9			10.4
20	4.0	0.4	9.0	14.4

Time of Concentration = 15 Min.

No.	Acres	C	I ₅₀	Q ₅₀
8A	0.2	0.4	9.0	0.7
9A	0.1			0.4
10A	0.3			1.1
11A	0.2			0.7
12A	0.2	0.4	9.0	0.7

DRAINAGE AREA MAP
 STONE BRIDGE MEADOWS
 PHASE ONE
 ROCKWALL, TEXAS

THREADGILL - DOWDEY and ASSOCIATES
 CONSULTING ENGINEERS DALLAS, TEXAS

DESIGN	DRAWN	CHECKED	DATE	SCALE	JOB	SHEET
AW	MH	DMD	11/76	A3 SHOWN	456-E	