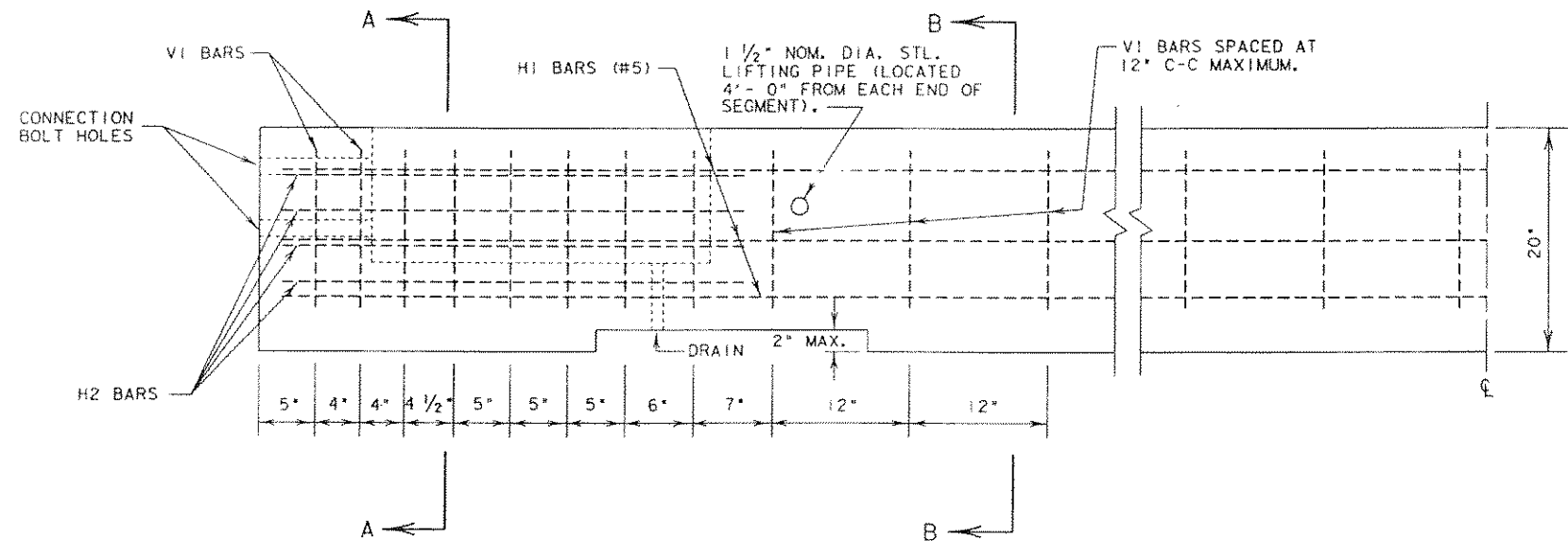
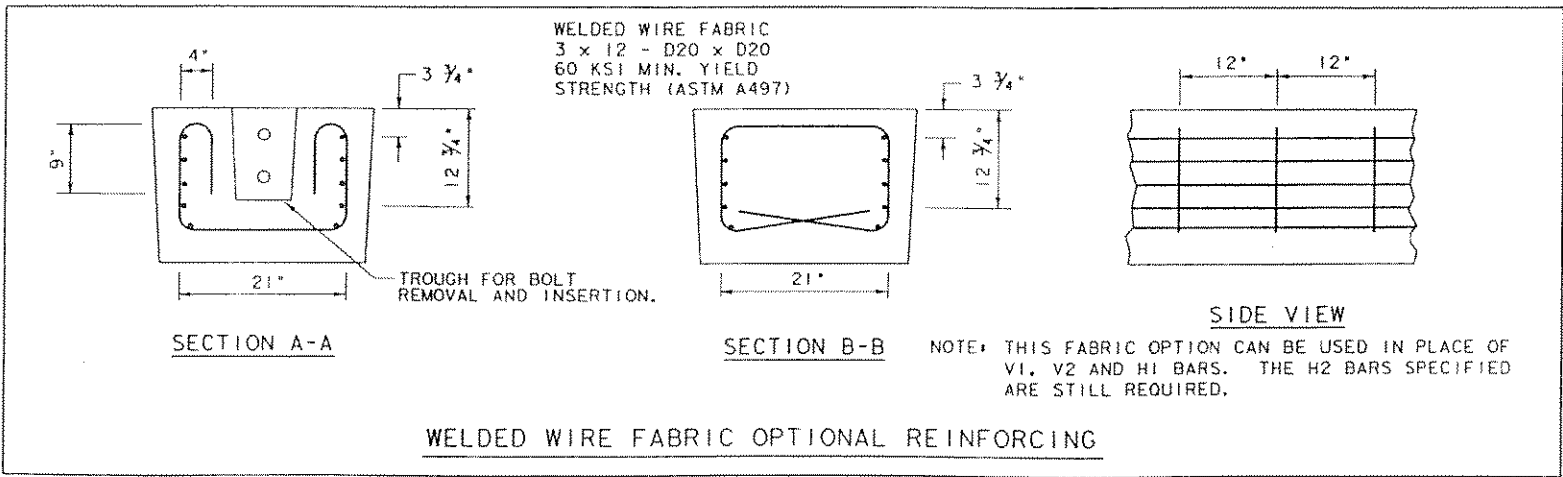


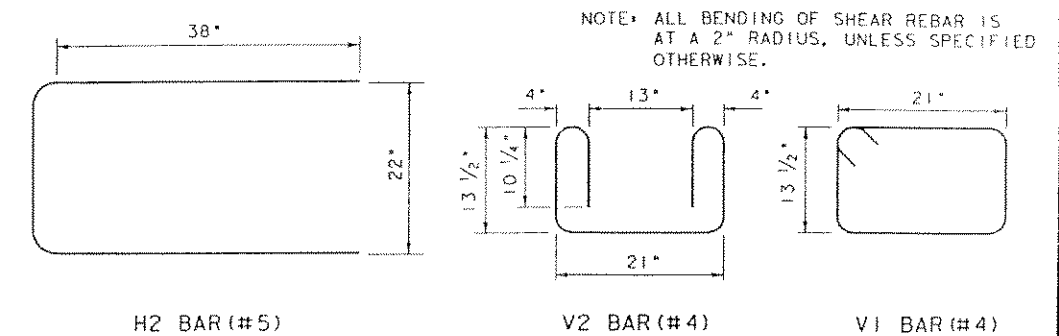
PLAN VIEW - TYPE I
(SYMMETRICAL ABOUT CENTER LINES)



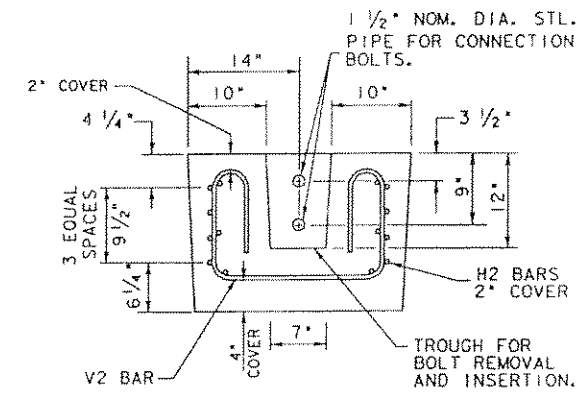
ELEVATION - TYPE I
(SYMMETRICAL ABOUT CENTER LINES)



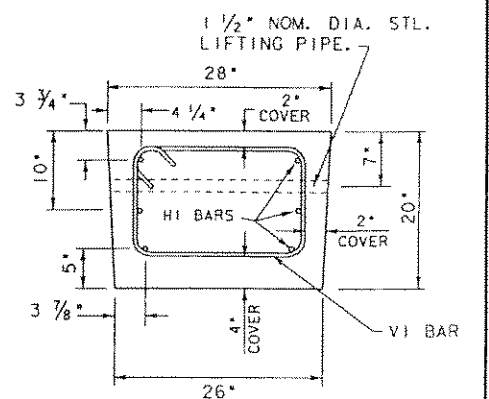
WELDED WIRE FABRIC OPTIONAL REINFORCING



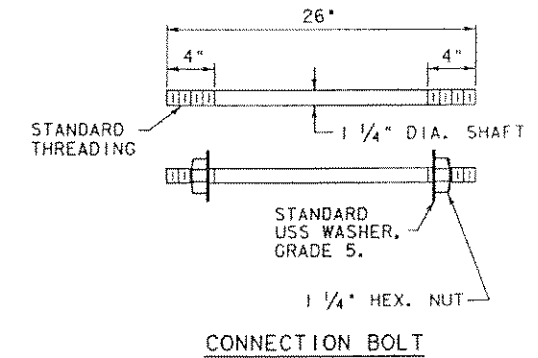
REINFORCING STEEL DETAILS



SECTION A-A



SECTION B-B



CONNECTION BOLT

GENERAL NOTES

1. BARRIER LENGTH SHALL BE 20 FEET (+/- 1 INCH) UNLESS OTHERWISE SPECIFIED IN THE PLANS.
2. ALL CONCRETE, REINFORCEMENT, ANCHOR BOLTS, BLOCKING, ETC., AS SHOWN ARE CONSIDERED AS PART OF THE BARRIER FOR PAYMENT.
3. ALL CONCRETE SHALL BE CLASS A, C, OR H, UNLESS OTHERWISE SPECIFIED.
4. ALL REINFORCING STEEL SHALL BE GRADE 40, UNLESS OTHERWISE SPECIFIED.
5. CHAMFER ALL EDGES 3/4 INCH, AS DIRECTED BY THE ENGINEER.
6. STEEL PIPE SHALL BE HOT DIP GALVANIZED IN CONFORMANCE TO ASTM DESIGNATION A123. BOLTS, NUTS AND WASHERS SHALL BE HOT-DIP GALVANIZED TO ASTM DESIGNATION A153.
7. BOLTS SHALL CONFORM TO ASTM A36. NUTS SHALL CONFORM TO A307 REQUIREMENTS AND SHALL BE TAPPED OR CHASED AFTER GALVANIZING. BOLTS AND NUTS SHALL HAVE CLASS 2A AND 2B FIT TOLERANCES.
8. THE BARRIER SHOULD BE LIGHT IN COLOR AND SHOULD BE SUPPLEMENTED BY DELINEATION AS DETAILED ELSEWHERE IN THE PLANS.

FOR CONTRACTORS INFORMATION ONLY

(TYPE I)		
APPROX. QUANTITIES 20 FT. SECTION		
CONCRETE	CY	2.6
REINFORCING STEEL	LBS	330
TOTAL BARRIER WT.	LBS	11000

TEXAS DEPARTMENT OF TRANSPORTATION

LOW PROFILE CONCRETE BARRIER (PORTABLE AND PRECAST)

LPCB(1)-92

SHEET 1 OF 2

MODIFICATIONS	FED. RD. DIST. NO.	STATE	FEDERAL AID PROJECT NO.	SHEET NO.
	6	TEXAS	STP 96 (830)MM	82
	18	ROCKWALL	1044 03 04	FM10

HIGHWAY DESIGN DIVISION (D-81)