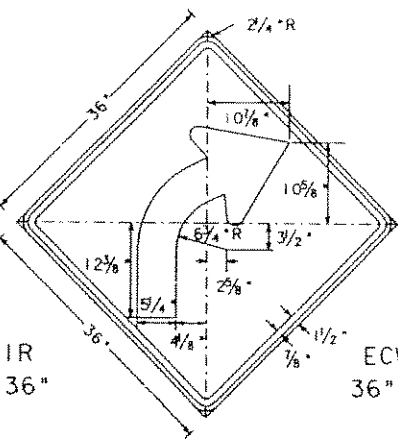
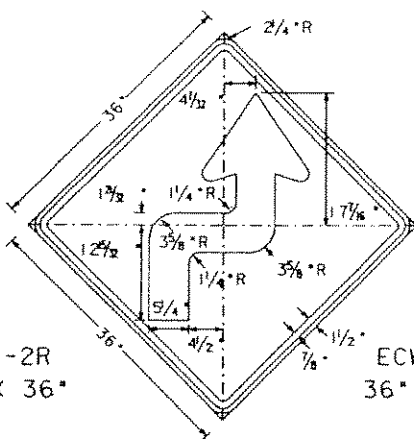


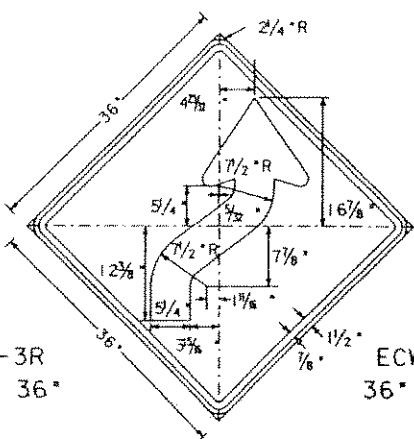
ECWI-1R
36" X 36"



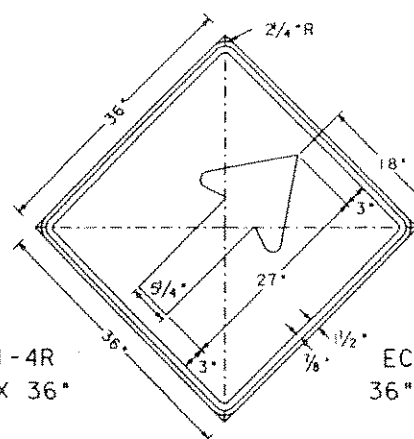
ECWI-2R
36" X 36"



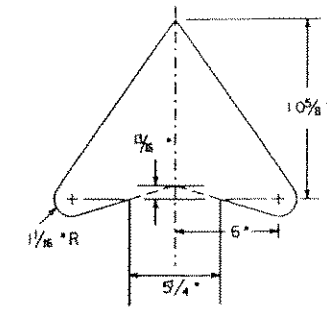
ECWI-3R
36" X 36"



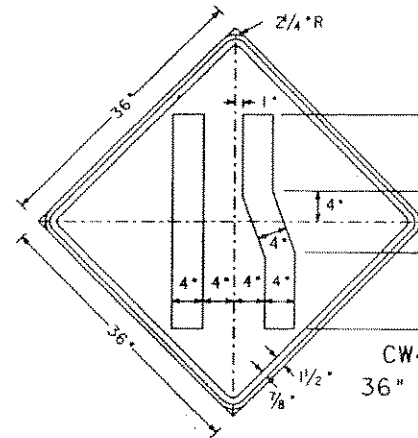
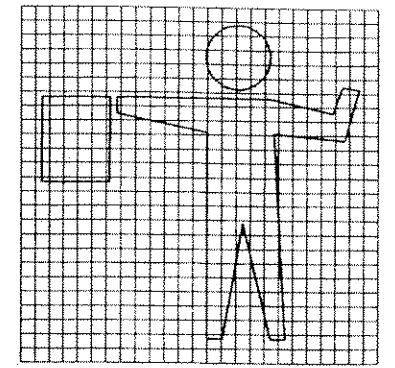
ECWI-4R
36" X 36"



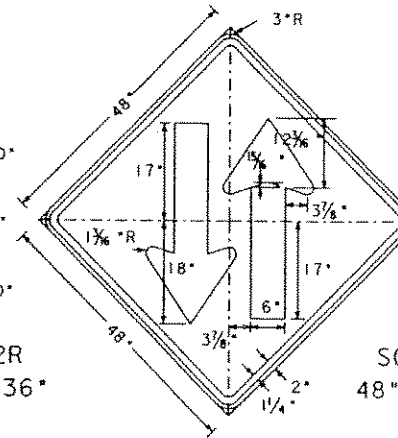
ECWI-6a
36" X 36"



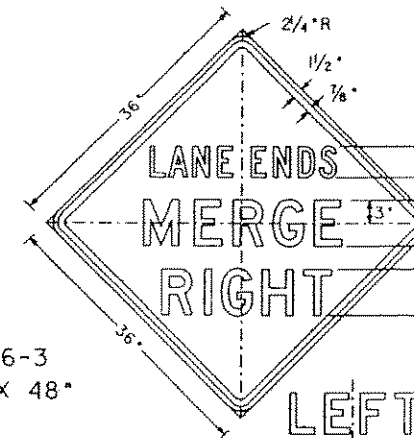
ARROW DETAIL FOR
ECWI-1, ECWI-2, ECWI-3,
ECWI-4 AND ECWI-6a.



CW4-2R
36" X 36"

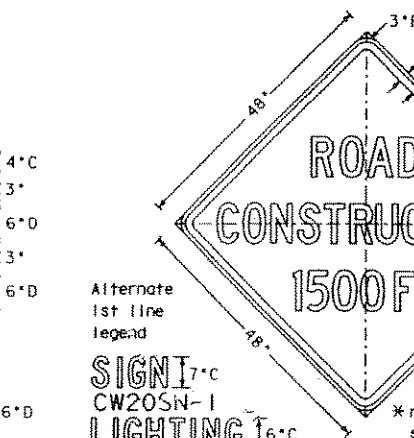


SCW6-3
48" X 48"

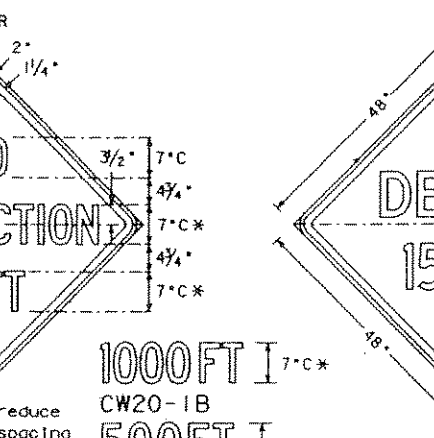


CW9-2R
36" X 36"

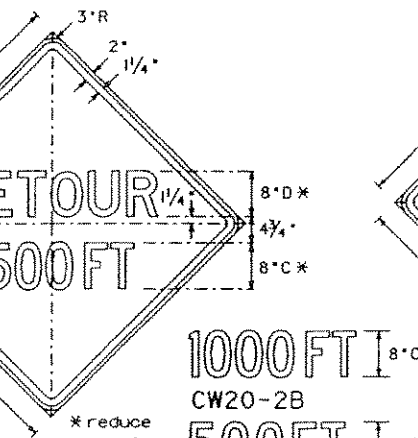
LEFT
CW9-2L



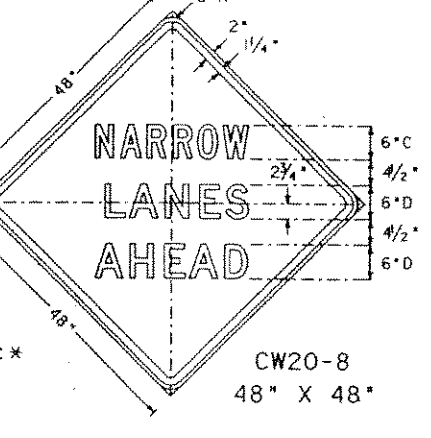
CW20-1A
48" X 48"



CW20-2A
48" X 48"

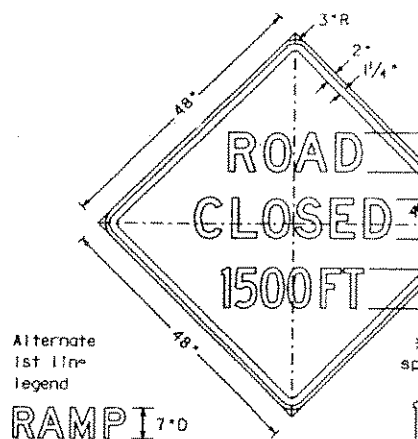


1000 FT I
CW20-2B
500 FT I
CW20-2C
AHEAD I
CW20-2D

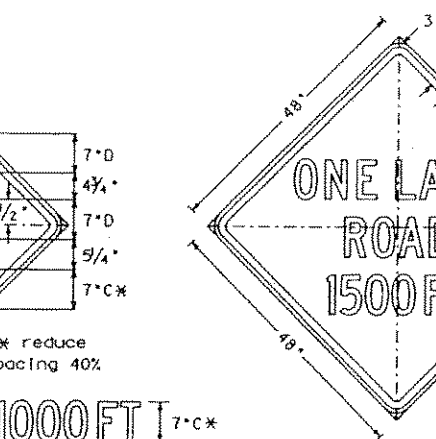


CW20-8
48" X 48"

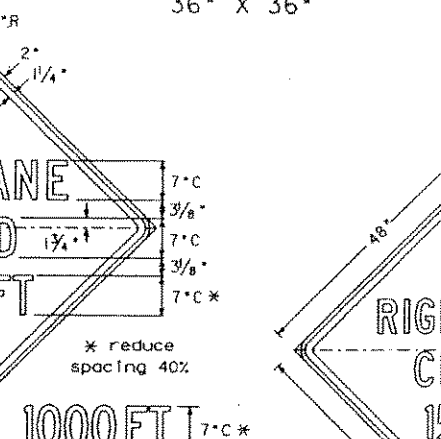
SCW13-1
24" X 24"
Speed value to be determined at the site by the Engineer.



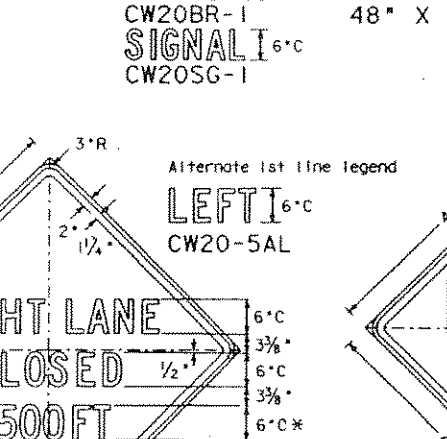
CW20-3A
48" X 48"



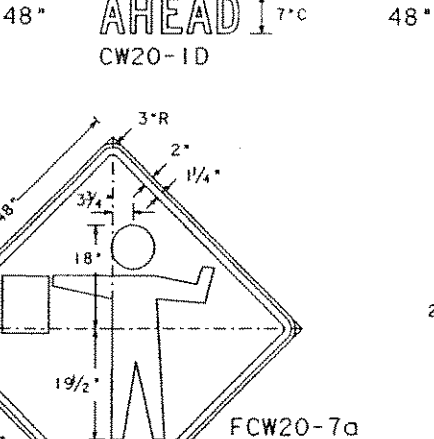
CW20-4A
48" X 48"



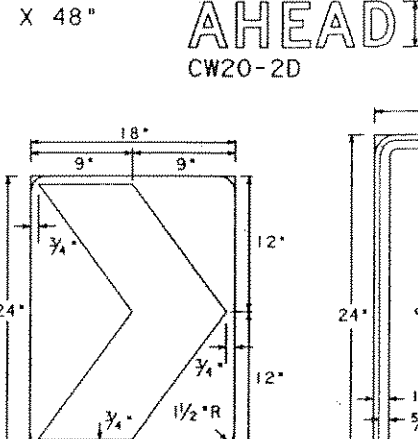
CW20-5A
48" X 48"



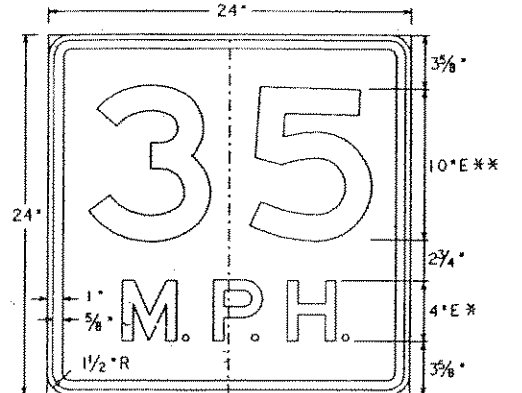
1000 FT I
CW20-5B
500 FT I
CW20-5C
AHEAD I
CW20-5D



FCW20-7a
48" X 48"



CW1-8
18" X 24"



SCW1-8
24" X 30"

Alternate 1st line legend
RAMP I
CW20RP-3
FRWY I
CW20FY-3
STREET I
CW20ST-3

1000 FT I
CW20-3B
500 FT I
CW20-3C
AHEAD I
CW20-3D

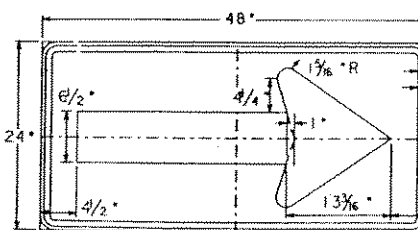
1000 FT I
CW20-4B
500 FT I
CW20-4C
AHEAD I
CW20-4D

Alternate 1st line legend
LEFT I
CW20-5AL

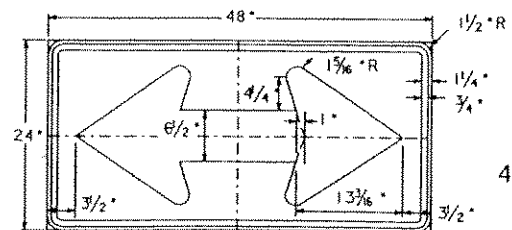
RIGHT LANE
CLOSED I
CW20-5AR

1000 FT I
CW20-5B
500 FT I
CW20-5C
AHEAD I
CW20-5D

GENERAL NOTES:
All signs detailed on this sheet shall have black border, legend and/or symbol on an orange reflective background.



CW1-6
48" X 24"



CW1-7
48" X 24"

STANDARD PLANS
TEXAS DEPARTMENT OF TRANSPORTATION
BARRICADE AND CONSTRUCTION STANDARDS
CONSTRUCTION WARNING SIGNS
BC (6) - 94

ORIGINAL DRAWING DATE: 4-88	STATE PROJECT NO: 6	FEDERAL AID PROJECT NO:	DISTRICT:
CLASS: LR	REVISIONS:	COUNTY:	SECTION:
CLASS: DN	DATE: 7-89	JOB:	ROADWAY:
CLASS: 2-94	DATE: 4-92		
	DATE: 2-94		