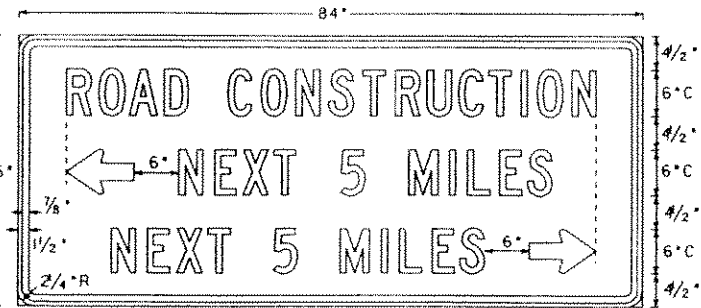
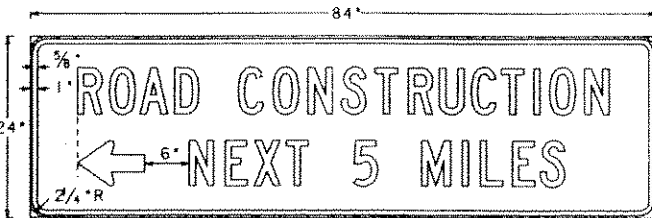


G20-1 Letters - Black
Numerals - Black
Border - Black
Background - Orange Reflective
60" X 36"

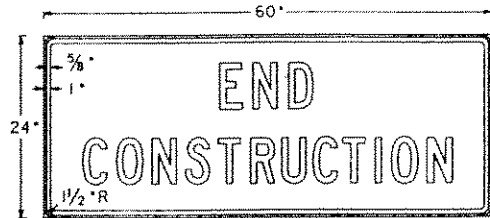


G20-1a Letters - Black
Numerals - Black
Border - Black
Background - Orange Reflective
Arrow - Black
84" X 36"



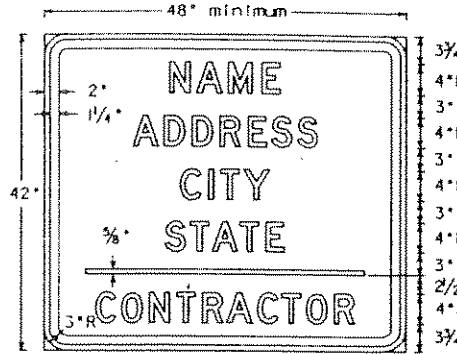
G20-1bL or G20-1bR
84" X 24"

Letters - Black
Numerals - Black
Border - Black
Background - Orange Reflective
Arrow - Black



G20-2
60" X 24"

Letters - Black
Border - Black
Background - Orange Reflective



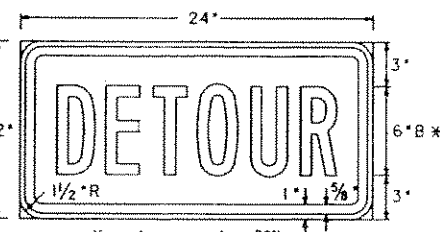
G20-6 Letters - Black
Border - Black
Background - White Reflective
Variable X 42"

Alternate 1st line legend
SIGN I^{6c} BRIDGE I^{6c}
G20-1S G20-1B
LIGHTING I^{6c} G20-1L

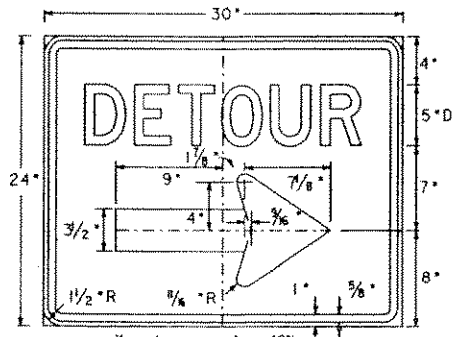
NOTE:
G20-1 Series signs shall show distances rounded to nearest whole mile. Fractions and decimal miles will not be used.



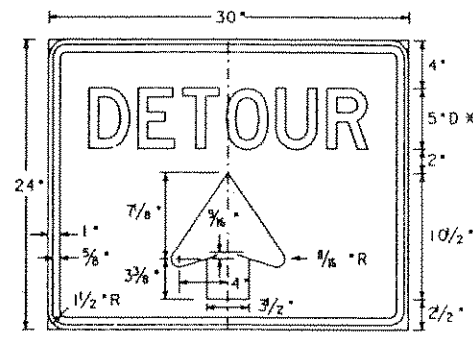
G20-4 Letters - Black
Border - Black
Background - Orange (Reflection Optional)
36" X 18"



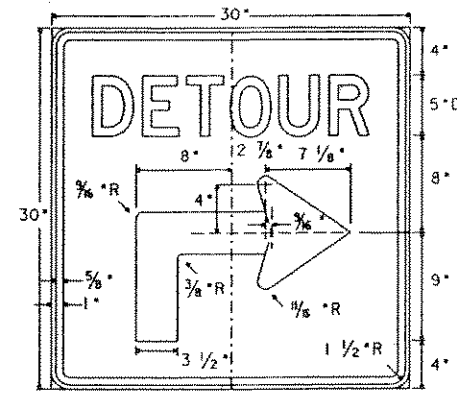
M4-8 Letters - Black
Border - Black
Background - Orange Reflective
24" X 12"



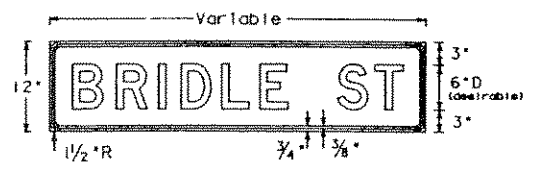
M4-9R Letters - Black
Symbol - Black
Border - Black
Background - Orange Reflective
30" X 24"



M4-9S
30" X 24"

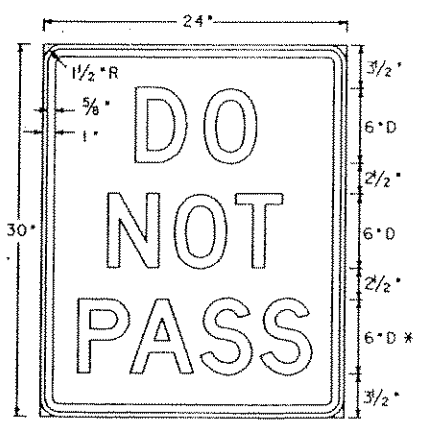


M4-9AR Letters - Black
Symbol - Black
Border - Black
Background - Orange Reflective
30" X 30"

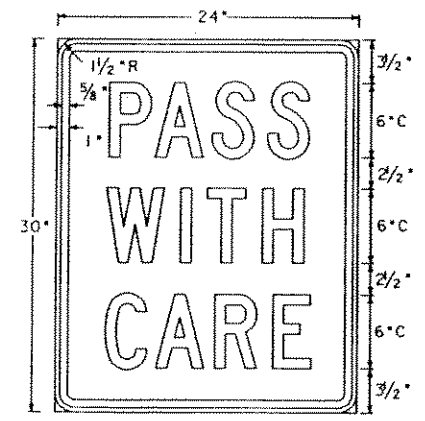


M4-9N Letters - Black
Border - Black
Background - Orange Reflective

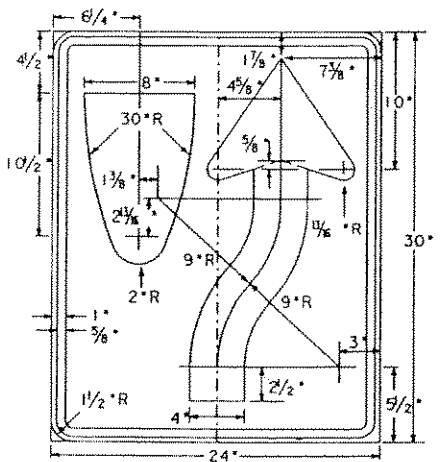
The M4-9R, L or S sign is to be used to detour local streets or roads that are not a State or Federal numbered highway; however, it should not be used in lieu of the M4-10 sign at the beginning of the detour or to detour State or Federal numbered routes. Also, when the M4-9R, L or S sign is used, a sign (M4-9N) with the name of the street being detoured may be mounted above it.



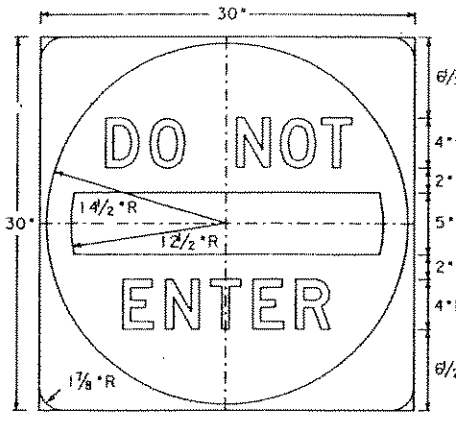
R4-1 Letters - Black
Border - Black
Background - White Reflective
24" X 30"



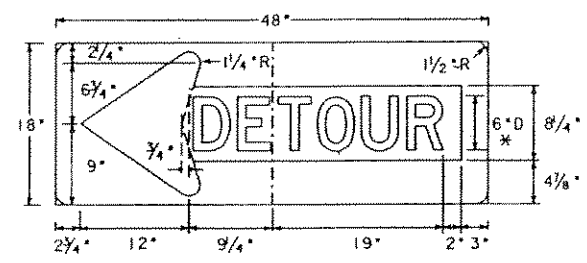
R4-2 Letters - Black
Border - Black
Background - White Reflective
24" X 30"



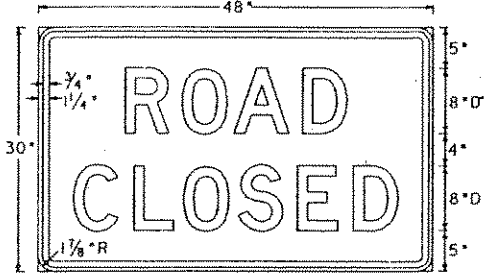
R4-7 Symbol - Black
Border - Black
Background - White Reflective
24" X 30"



R5-1 Letters - White Reflective
Bar - White Reflective
Border - White Reflective
Background - Red Reflective
30" X 30"

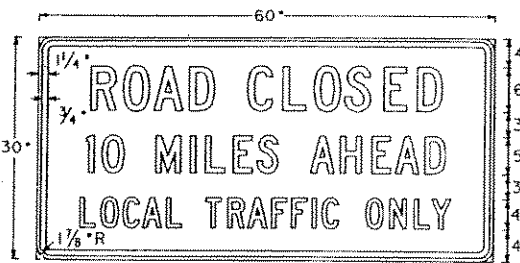


M4-10R Letters - Black
Arrow - Orange Reflective
Background - Black
48" X 18"

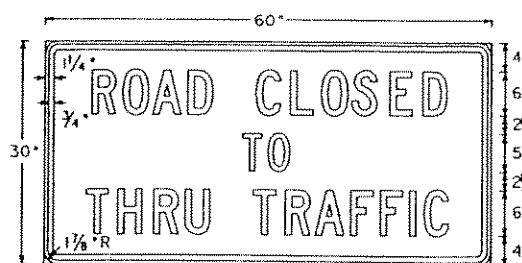


R11-2 Letters - Black
Border - Black
Background - White Reflective
48" X 30"

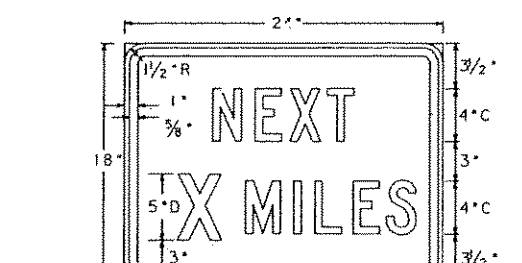
Alternate 1st line legend
STREET I^{8D} R11-2S
RAMPI I^{8D} R11-2R
BRIDGE I^{8D} R11-2B



R11-3a
60" X 30"



R11-4 Letters - Black
Border - Black
Background - White Reflective
60" X 30"



R20-1 Letters - Black
Border - Black
Background - White Reflective
24" X 18"



R20-3 Letters - Black
Border - Black
Background - White Reflective
48" X 42"

Alternate 1st line legend
BRIDGE OUT I^{6c} R11-3b
Letters - Black
Numerals - Black
Border - Black
Background - White Reflective

STANDARD PLANS
TEXAS DEPARTMENT OF TRANSPORTATION
BARRICADE AND CONSTRUCTION STANDARDS
REGULATORY AND GUIDE SIGNS
BC (5) - 94

ORIGINAL DRAWING DATE: 4-88	STATE DISTRICT: 6	FEDERAL AID PROJECT:	SHEET: 106
DATE: 7-89	REVISIONS:	COUNTY:	SECTION:
DATE: 4-92		CONTROL:	JOB:
DATE: 2-94			STATION: