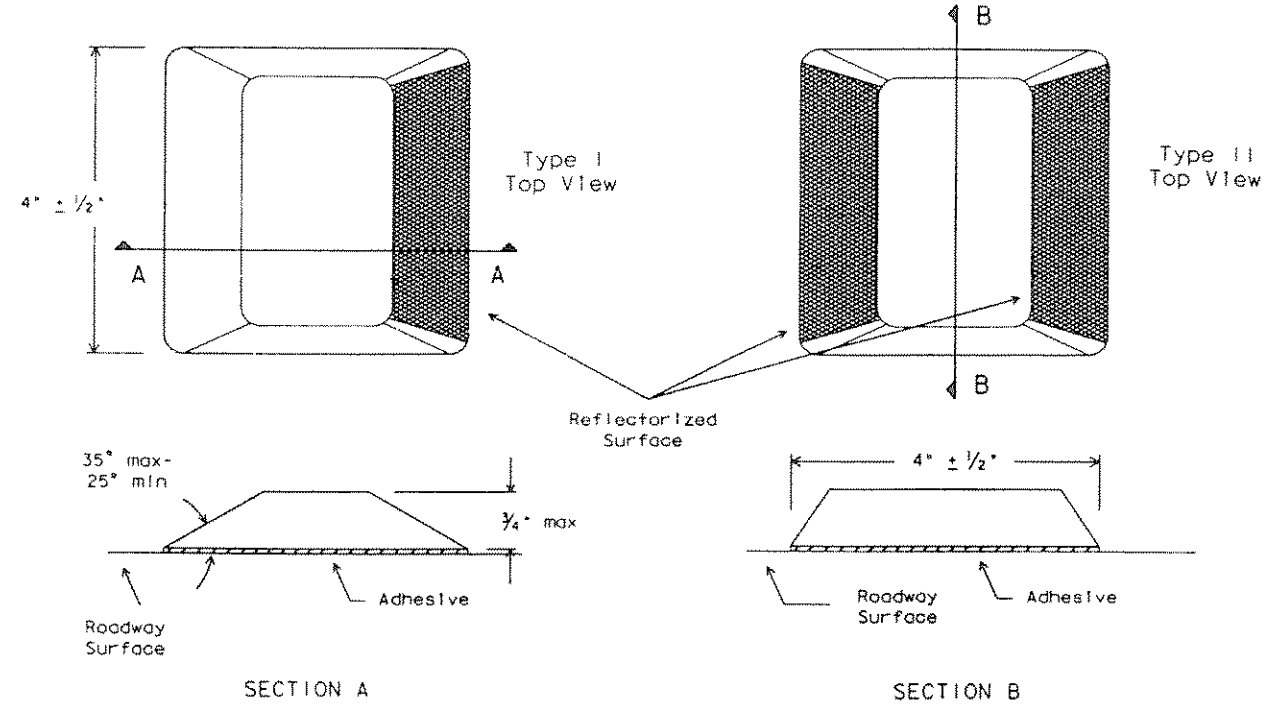
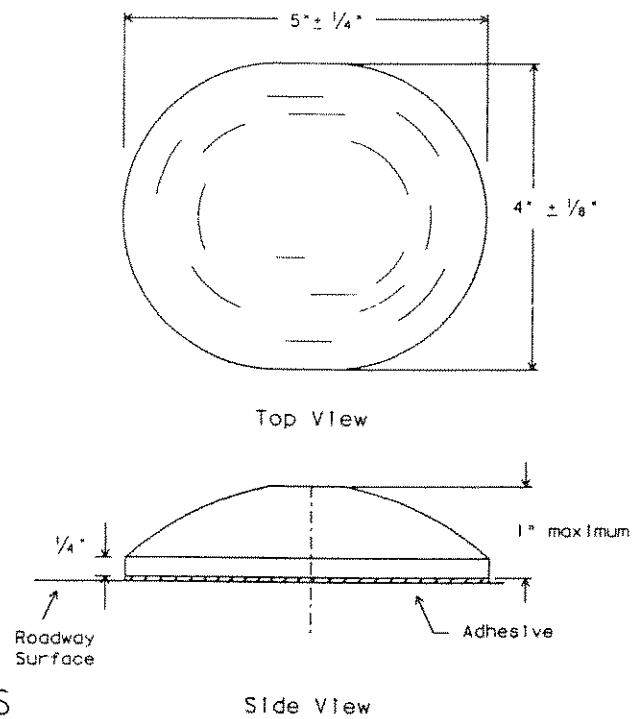
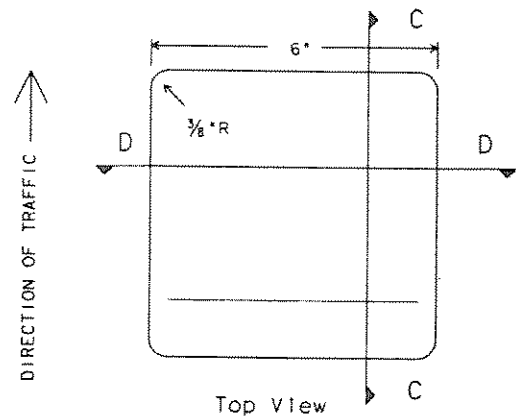


**TRAFFIC BUTTONS
(NON-REFLECTORIZED)**

NOTE: Minimum area of markers shall be not less than 12.5 square inches.
Either shape may be used but the same shape shall be used through out the project.

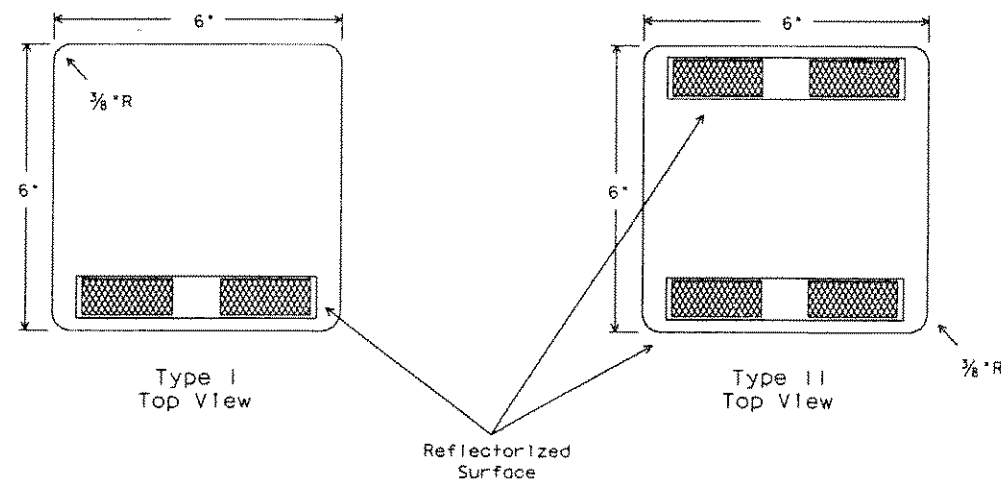
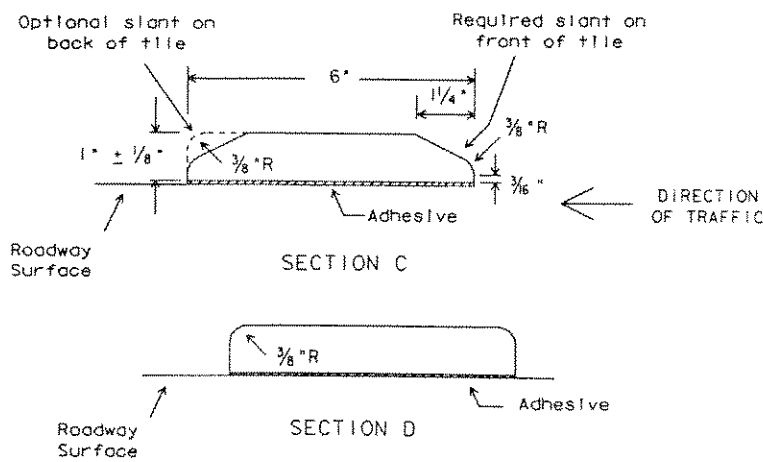


**RAISED PAVEMENT MARKERS
(REFLECTORIZED)**

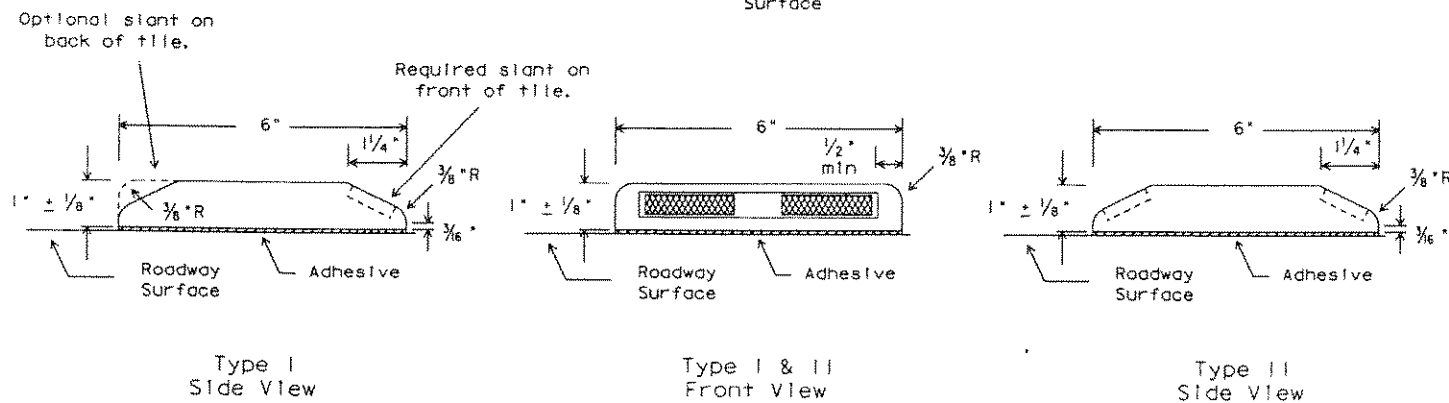


**JIGGLE BAR TILES
(NON-REFLECTORIZED)**

Jiggle Bars consist of a number of Jiggle Bar Tiles placed in a linear configuration.



**JIGGLE BAR TILES
(REFLECTORIZED)**



SPECIFICATION REFERENCE TABLE	
MATERIALS AND TEST SPECIFICATIONS (D-9)	
JIGGLE BAR TILE	D-9-4100
PAVEMENT MARKERS (REFLECTORIZED)	D-9-4200
TRAFFIC BUTTONS	D-9-4300
BITUMINOUS ADHESIVE	D-9-6130

GENERAL NOTES:

RAISED PAVEMENT MARKERS (RPMs) MAY CONSIST OF TRAFFIC BUTTONS, PAVEMENT MARKERS AND/OR JIGGLE BAR TILES. PAVEMENT SURFACE SHALL BE PREPARED AND CLEANED SUBJECT TO APPROVAL OF THE ENGINEER BEFORE ADHESIVE AND RPMs ARE PLACED.

JIGGLE BARS SHALL BE ORIENTED PERPENDICULAR TO ROADWAY. JIGGLE BARS SHALL ALSO BE PLACED AT SUCH OTHER LOCATIONS AS SHOWN IN PLANS OR AS DIRECTED BY THE ENGINEER.

MARKERS, BUTTONS AND JIGGLE BAR TILES SHOWN ARE FOR ILLUSTRATION PURPOSES ONLY AND NOT INTENDED TO SPECIFY ANY PARTICULAR PRODUCT. ALL PAVEMENT MARKERS PROVIDED SHALL BE OF THE SAME MANUFACTURER.

ALL DIMENSIONS ARE ± 1/8" UNLESS OTHERWISE NOTED.



**STANDARD PLANS
TEXAS DEPARTMENT OF TRANSPORTATION
RAISED PAVEMENT MARKERS
REFLECTIVE PAVEMENT MARKERS,
TRAFFIC BUTTONS &
JIGGLE BAR TILE**

RPM(1)-92

ORIGINAL DRAWING DATE: 1-81	STATE DISTRICT: 18	FEDERAL REGION: 6	FEDERAL AID PROJECT: STP 96(030) MAM	SHEET: 69
REV. LR: 2-82	REV. DN: 7-85	REV. DN: 11-85	REV. DN: 12-90	REV. DN: 4-92
COUNTY: ROCKWALL	SECTION: 1014	CONTROL: D3	JOB: 041	STATION: FM 740