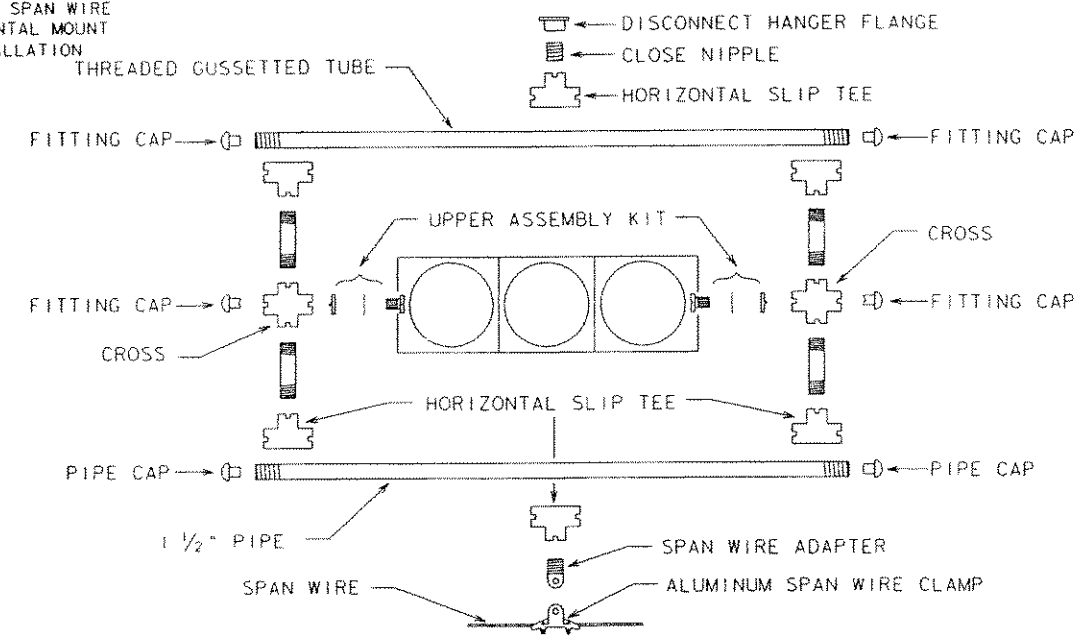
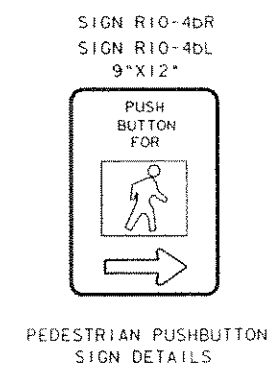
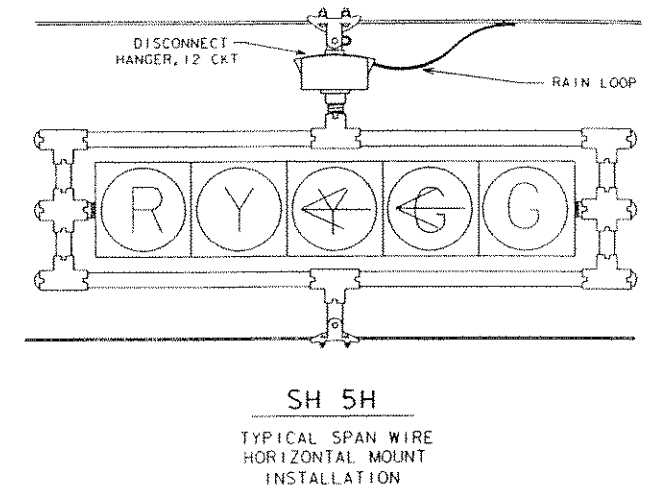
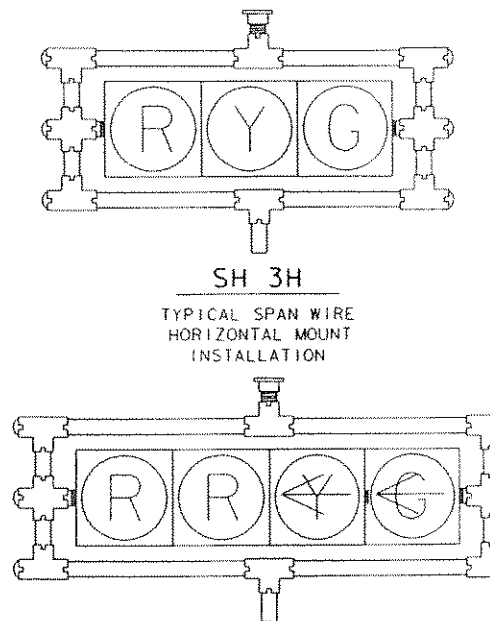
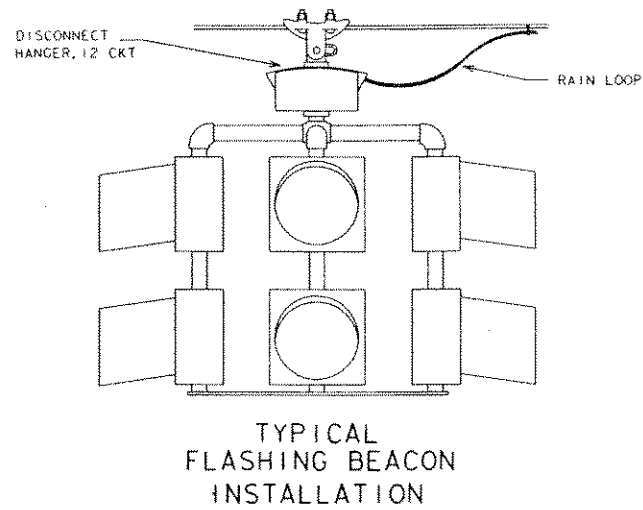
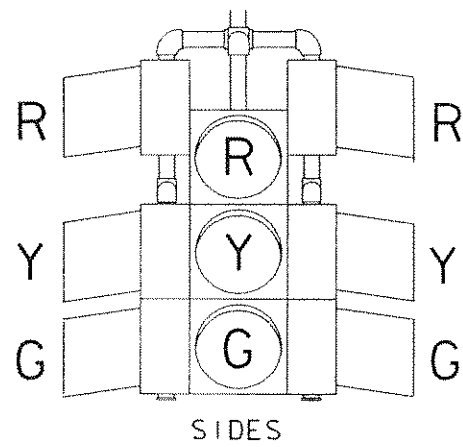
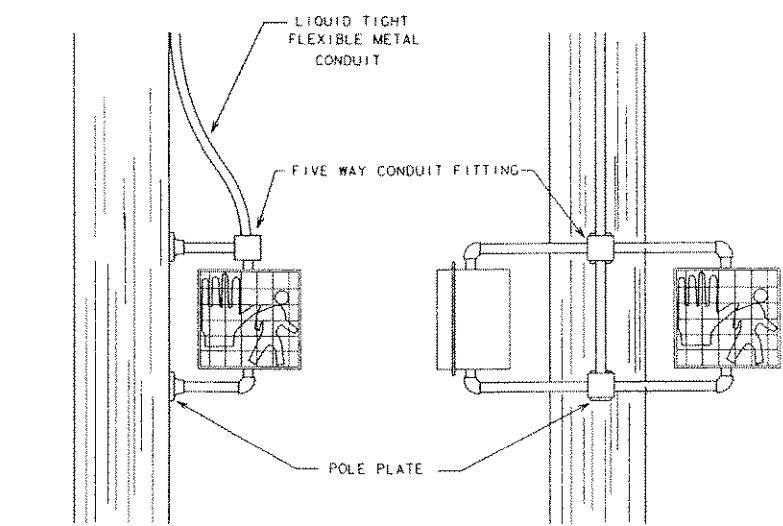
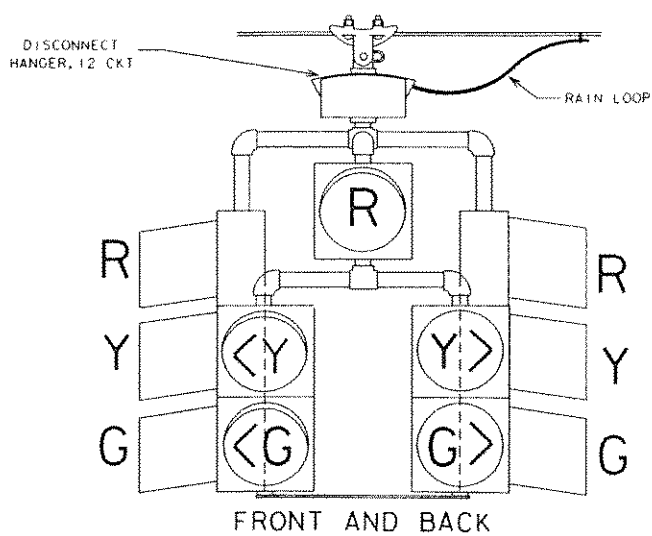


DISCONNECT HANGER MODIFICATION

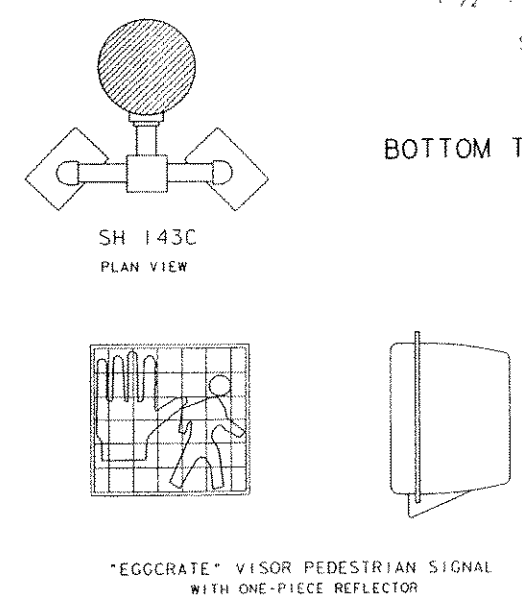


BOTTOM TETHERED, SPAN WIRE SIGNAL HARDWARE ASSEMBLY  
(BACK PANEL NOT SHOWN)



SH 152A  
ONE-WAY ADJUSTABLE FACE SIGNAL FOR WOOD POLE MOUNTING

SH 143C  
TWO-WAY ADJUSTABLE FACE SIGNAL FOR WOOD POLE MOUNTING



SIGNALS HEADS FOR SPAN WIRE INSTALLATION

DALLAS DISTRICT STANDARD			
FED. RD. DIV. NO.	PROJECT NO.	SHEET NO.	
6	STP 96(830)MM 62		
STATE	STATE	COUNTY	
TEXAS	DALLAS	ROCKWALL	
CONT.	SECT.	JOB	HIGHWAY NO.
1014	03	041	FM 740