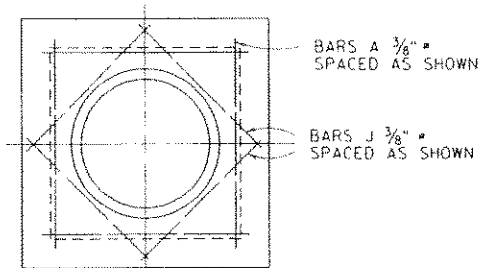


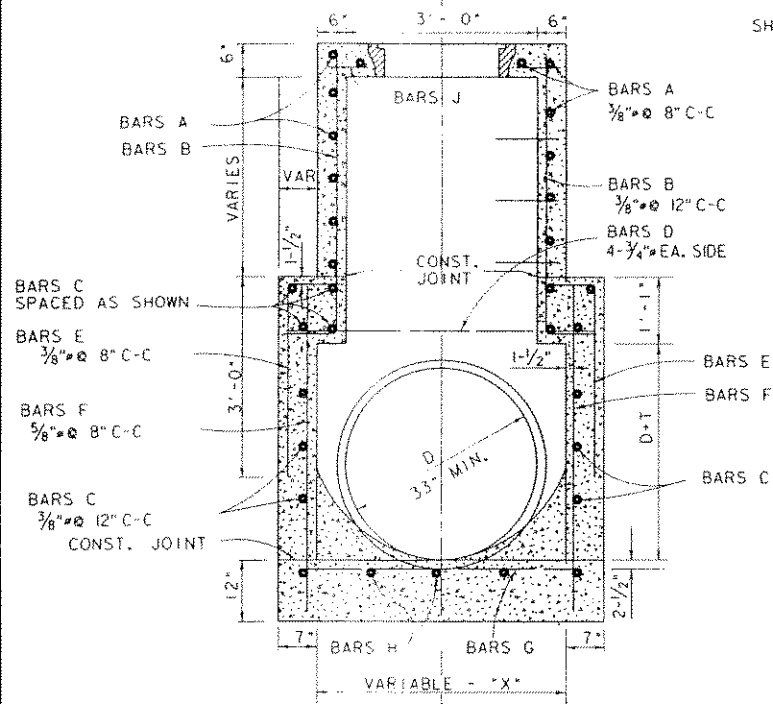
DETAIL OF MANHOLE STEP



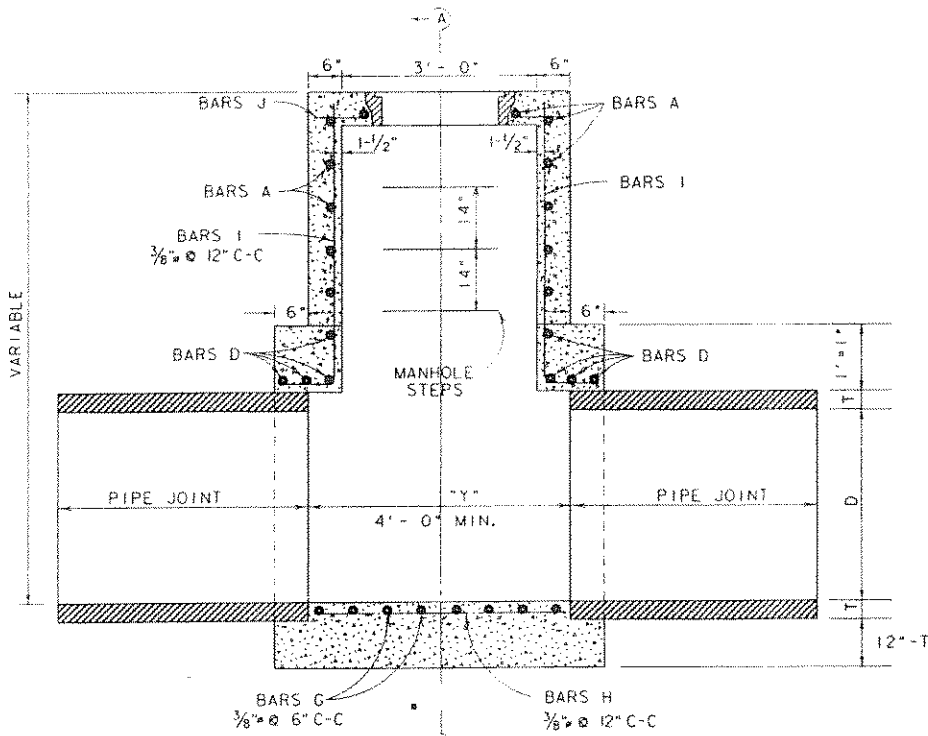
PLAN
SHOWING REINFORCING STEEL IN
MANHOLE TOP

TYPE I & II MANHOLES
PROVIDE 3/4" PREMOLDED EXPANSION JOINT,
SEALED WITH RUBBER COMPOUND AROUND
MANHOLE TOP WHEN IN PAVEMENT.

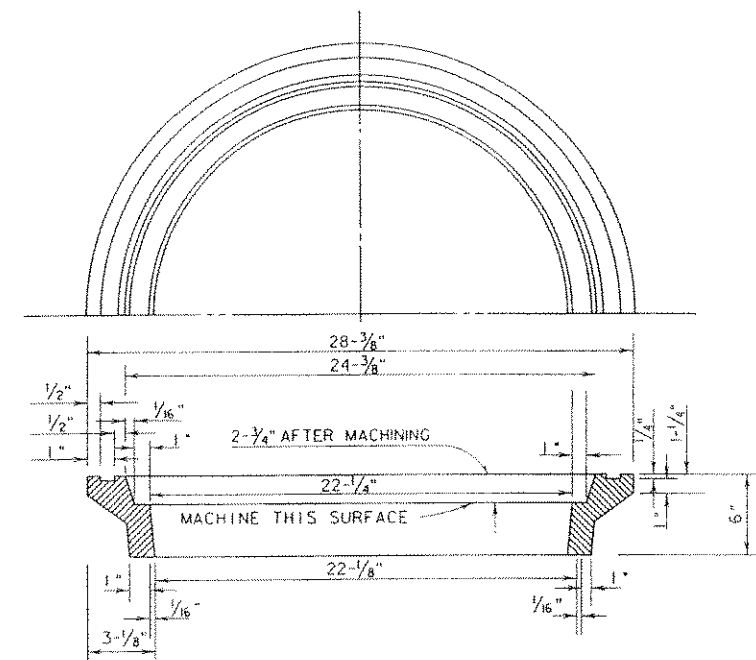
NOTE: FRAME AND COVER TO BE OF GRAY CAST IRON
CONFORMING TO A.S.T.M. SPEC. A-48 FOR
CLASS 30 CAST IRON.



SECTION A-A

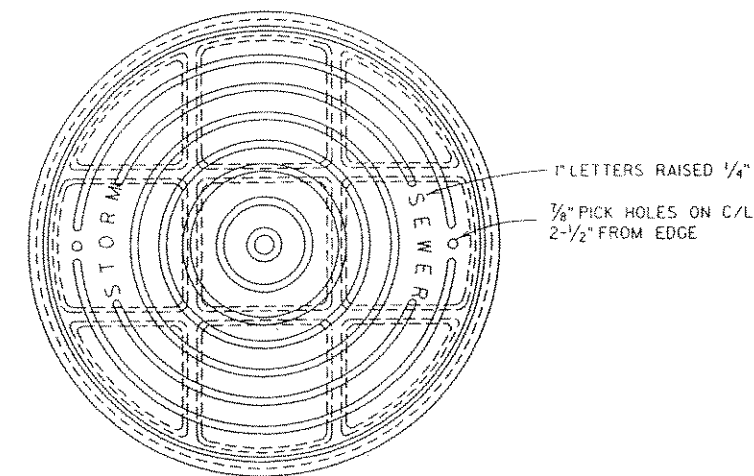


SECTION B-B

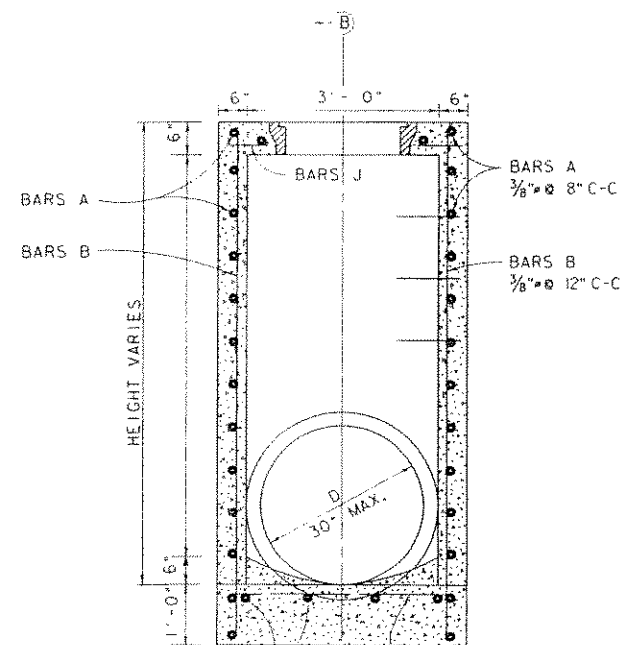


DETAILS OF FRAME

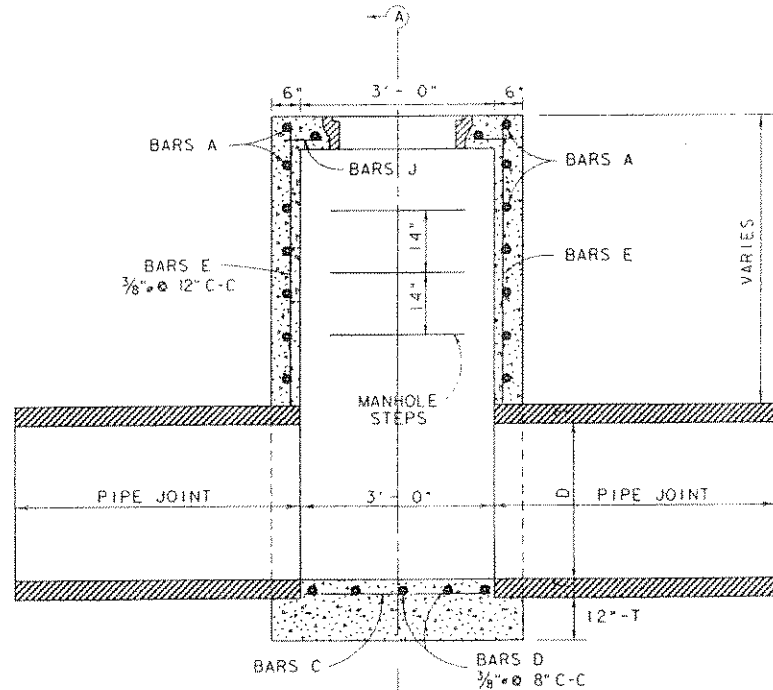
TYPE I MANHOLE



TOP PLAN OF COVER



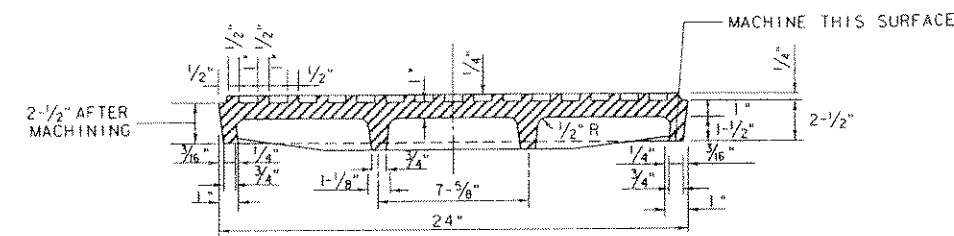
SECTION A-A



SECTION B-B

*TYPE II MANHOLE TOP SAME AS PLAN
FOR TYPE I MANHOLE TOP

TYPE II MANHOLE



SECTION OF COVER

MANHOLE DETAILS
TYPE I & II
MANHOLE FRAME & COVER

DALLAS DISTRICT STANDARD

FED. DIST. NO.	FEDERAL AID PROJECT NO.	SHEET NO.
6	STP 96 (830) MM	57
STATE	COUNTY	
TEXAS	ROCKWALL	
CONTRACT	SECTION	JOB
1014	03	041
		HIGHWAY NO.
		FM 740