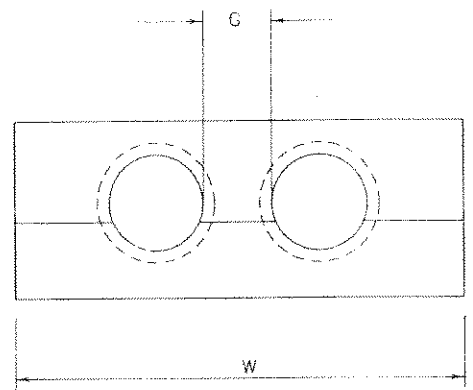
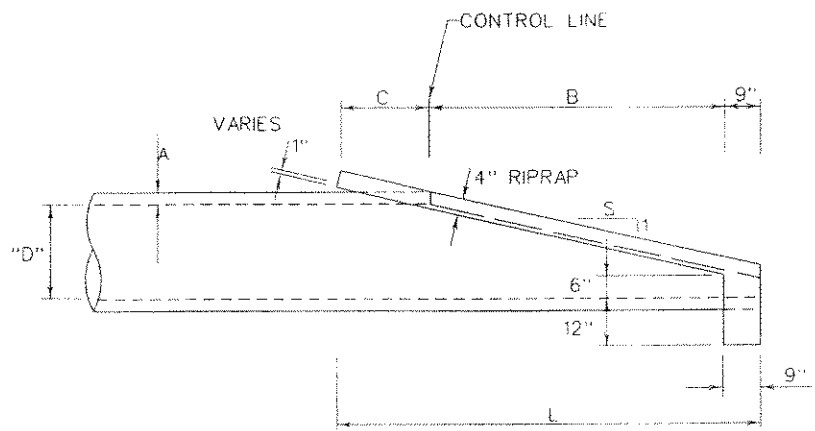


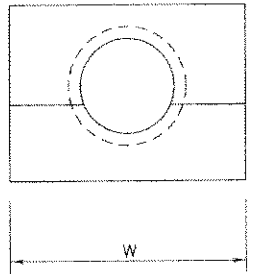
TOP VIEW  
MULTIPLE PIPES



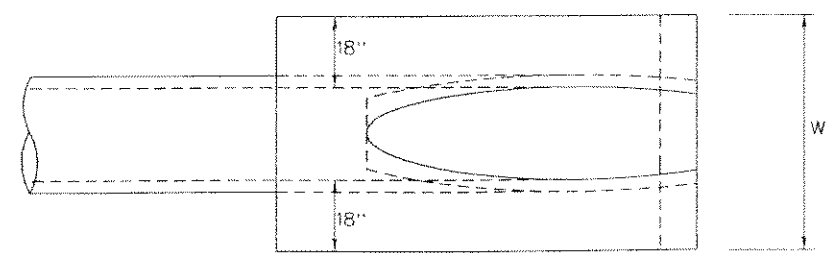
END VIEW  
MULTIPLE PIPES



SIDE VIEW  
SINGLE OR MULTIPLE PIPES



END VIEW  
SINGLE PIPE



TOP VIEW  
SINGLE PIPE

NO PIPES	SIZE (IN)	OUTSIDE DIA (IN)	SLOPE	DIMENSIONS (IN)						RIPRAP CY
				A	B	C	L	G	W	
1	18	22 1/2	3:1	2 1/2	36"	24"	69"	---	54"	0.44
2	"	"	"	"	"	"	"	14"	86"	0.72
3	"	"	"	"	"	"	"	14"	118"	1.01
1	"	"	4:1	"	48"	33"	90"	---	54"	0.52
2	"	"	"	"	"	"	"	14"	86"	0.87
3	"	"	"	"	"	"	"	14"	118"	1.21
1	"	"	5:1	"	60"	39"	108"	---	54"	0.60
2	"	"	"	"	"	"	"	14"	86"	0.99
3	"	"	"	"	"	"	"	14"	118"	1.39
1	"	"	6:1	"	72"	48"	129"	---	54"	0.68
2	"	"	"	"	"	"	"	14"	86"	1.13
3	"	"	"	"	"	"	"	14"	118"	1.59
1	21	26	3:1	2 1/2	45"	24"	78"	---	57"	0.49
2	"	"	"	"	"	"	"	15"	93"	0.84
3	"	"	"	"	"	"	"	15"	129"	1.18
1	"	"	4:1	"	60"	33"	102"	---	57"	0.59
2	"	"	"	"	"	"	"	15"	93"	1.01
3	"	"	"	"	"	"	"	15"	129"	1.44
1	"	"	5:1	"	75"	39"	123"	---	57"	0.67
2	"	"	"	"	"	"	"	15"	93"	1.16
3	"	"	"	"	"	"	"	15"	129"	1.65
1	"	"	6:1	"	90"	48"	147"	---	57"	0.77
2	"	"	"	"	"	"	"	15"	93"	1.34
3	"	"	"	"	"	"	"	15"	129"	1.90
1	24	30	3:1	3	54"	24"	87"	---	60"	0.54
2	"	"	"	"	"	"	"	17"	101"	0.97
3	"	"	"	"	"	"	"	17"	142"	1.40
1	"	"	4:1	"	72"	33"	114"	---	60"	0.65
2	"	"	"	"	"	"	"	17"	101"	1.18
3	"	"	"	"	"	"	"	17"	142"	1.71
1	"	"	5:1	"	90"	39"	138"	---	60"	0.75
2	"	"	"	"	"	"	"	17"	101"	1.36
3	"	"	"	"	"	"	"	17"	142"	1.98
1	"	"	6:1	"	108"	48"	165"	---	60"	0.86
2	"	"	"	"	"	"	"	17"	101"	1.57
3	"	"	"	"	"	"	"	17"	142"	2.28
1	27	33 1/2	3:1	3 1/2	63"	24"	96"	---	63"	0.59
2	"	"	"	"	"	"	"	18 1/2"	108.5"	1.10
3	"	"	"	"	"	"	"	18 1/2"	154"	1.61
1	"	"	4:1	"	84"	33"	126"	---	63"	0.72
2	"	"	"	"	"	"	"	18 1/2"	108.5"	1.35
3	"	"	"	"	"	"	"	18 1/2"	154"	1.98
1	"	"	5:1	"	105"	39"	153"	---	63"	0.83
2	"	"	"	"	"	"	"	18 1/2"	108.5"	1.57
3	"	"	"	"	"	"	"	18 1/2"	154"	2.31
1	"	"	6:1	"	126"	48"	183"	---	63"	0.96
2	"	"	"	"	"	"	"	18 1/2"	108.5"	1.81
3	"	"	"	"	"	"	"	18 1/2"	154"	2.67
1	30	37	3:1	3 1/2	72"	24"	105"	---	66"	0.65
2	"	"	"	"	"	"	"	20"	116"	1.25
3	"	"	"	"	"	"	"	20"	166"	1.85
1	"	"	4:1	"	96"	33"	138"	---	66"	0.79
2	"	"	"	"	"	"	"	20"	116"	1.53
3	"	"	"	"	"	"	"	20"	166"	2.28
1	"	"	5:1	"	120"	39"	168"	---	66"	0.91
2	"	"	"	"	"	"	"	20"	116"	1.79
3	"	"	"	"	"	"	"	20"	166"	2.66
1	"	"	6:1	"	144"	48"	201"	---	66"	1.05
2	"	"	"	"	"	"	"	20"	116"	2.07
3	"	"	"	"	"	"	"	20"	166"	3.09
1	33	40 1/2	3:1	3 3/4	81"	24"	114"	---	69"	0.70
2	"	"	"	"	"	"	"	21 1/2"	123.5"	1.40
3	"	"	"	"	"	"	"	21 1/2"	178"	2.09
1	"	"	4:1	"	108"	33"	150"	---	69"	0.86
2	"	"	"	"	"	"	"	21 1/2"	123.5"	1.73
3	"	"	"	"	"	"	"	21 1/2"	178"	2.59
1	"	"	5:1	"	135"	39"	183"	---	69"	1.00
2	"	"	"	"	"	"	"	21 1/2"	123.5"	2.02
3	"	"	"	"	"	"	"	21 1/2"	178"	3.05
1	"	"	6:1	"	162"	48"	219"	---	69"	1.15
2	"	"	"	"	"	"	"	21 1/2"	123.5"	2.35
3	"	"	"	"	"	"	"	21 1/2"	178"	3.54

REFER TO CD-SPR FOR DETAILS NOT SHOWN  
 \* MULTIPLE PIPES GREATER THAN 30" DIAMETER REQUIRE SAFETY PIPE RUNNERS

SAFETY END TREATMENT  
 DALLAS DISTRICT STANDARD

FED. RD. DIST. NO.	FEDERAL AID PROJECT NO.		SHEET NO.
6	STP 96 (830) MM		53
STATE	STATE DISTRICT	COUNTY	
TEXAS	DALLAS	ROCKWALL	
CONTROL	SECTION	JOB	HIGHWAY NO.
1014	03	041	FM 740

EXT 441