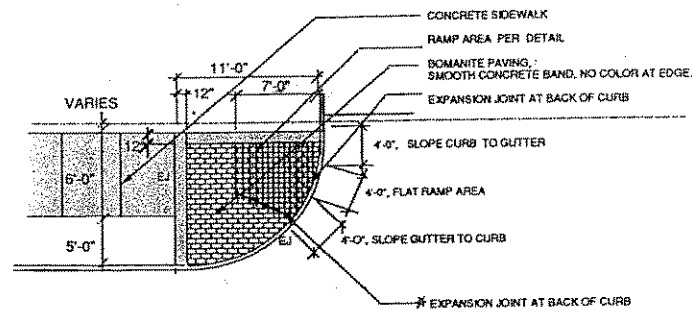
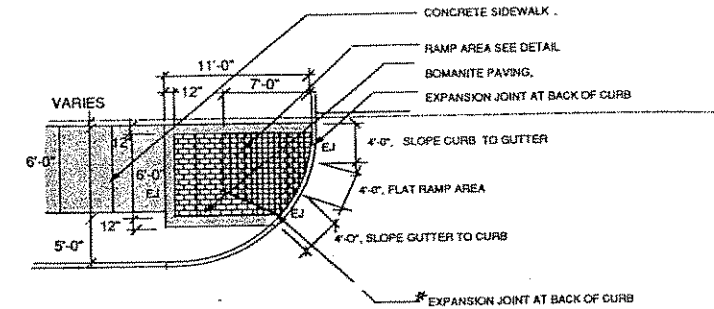


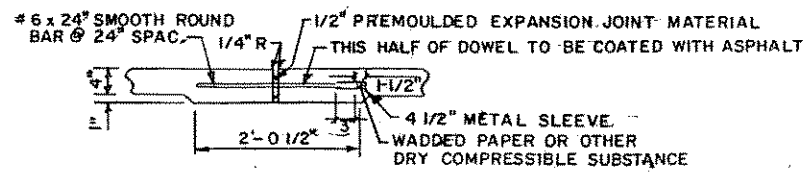
1 SIDEWALK DETAILS  
N.T.S.



2 SIDEWALK DETAILS, DRIVE RAMP  
N.T.S.

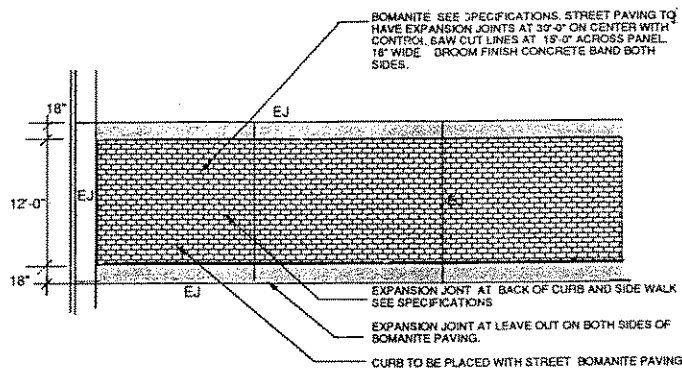


3 SIDEWALK DETAILS, DRIVE RAMP  
N.T.S.

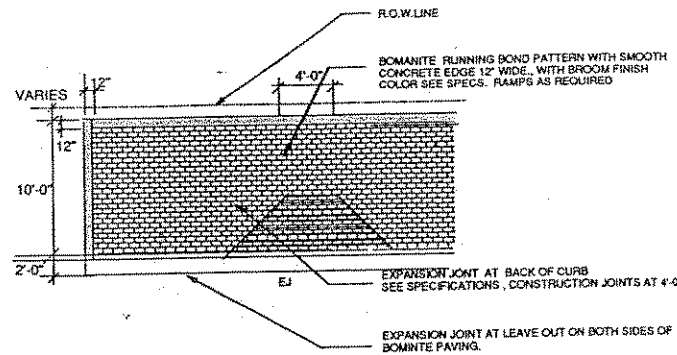


SIDEWALK EXPANSION JOINT DETAIL

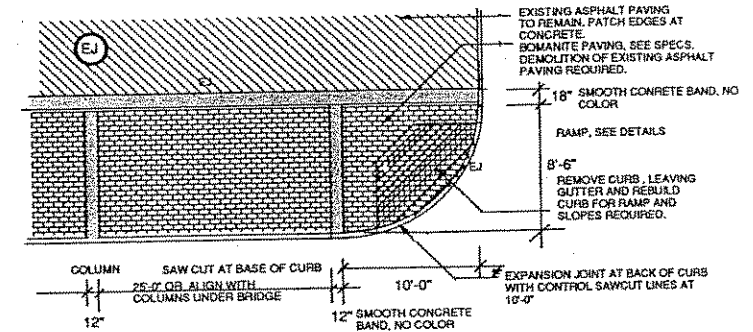
NOTE  
BOMANITE PAVING TO BE RUNNING BOND USED BRICK FORM WITH DARK BROWN RED COLOR. COLOR SAMPLE FOR APPROVAL TO BE PROVIDED TO STATE DOT AND CITY OF ROCKWALL.



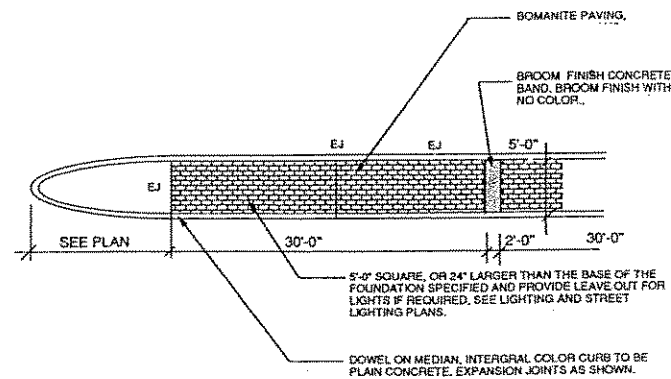
5 STREET CROSSWALK  
N.T.S.



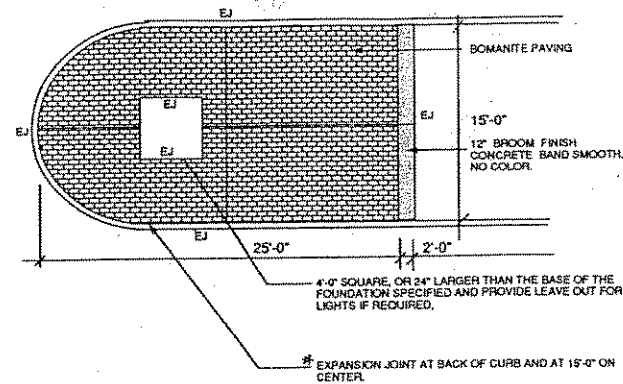
6 STREET INTERSECTION WALK  
N.T.S.



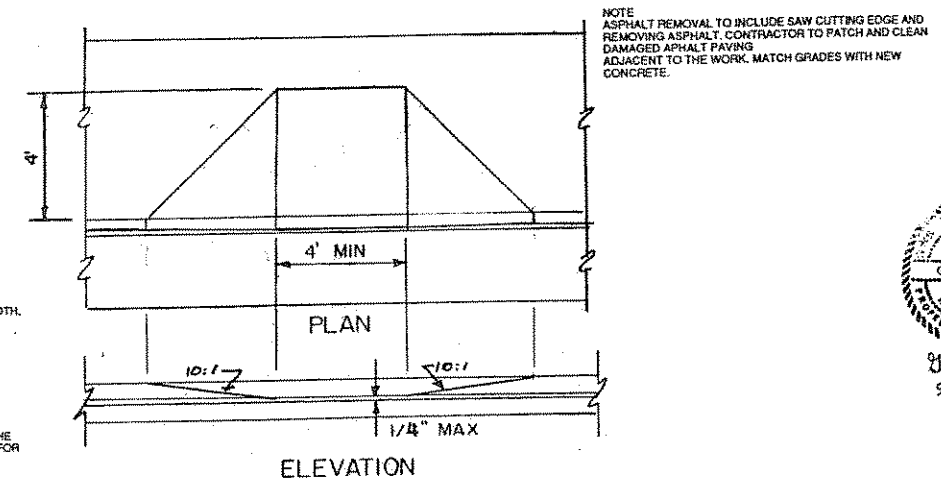
7 PAVING AT ASPHALT ISLANDS  
N.T.S.



8 MEDIAN PAVING AT NOSE,  
N.T.S.



9 MEDIAN PAVING AT NOSE, NO TURN LANE  
N.T.S.



STATE OF TEXAS  
G. K. WETZIG  
80322  
REGISTERED PROFESSIONAL ENGINEER  
U. R. Wetzig  
5-29-96

FED. RD. DIST. NO.	FEDERAL AID PROJECT NO.	SHEET NO.
6	STP 96(830)MM	25
STATE	DIST. NO.	COUNTY
TEXAS	DALLAS	ROCKWALL
CONTROL SECTION	JOB	HIGHWAY NO.
1014	03	041 FM 740