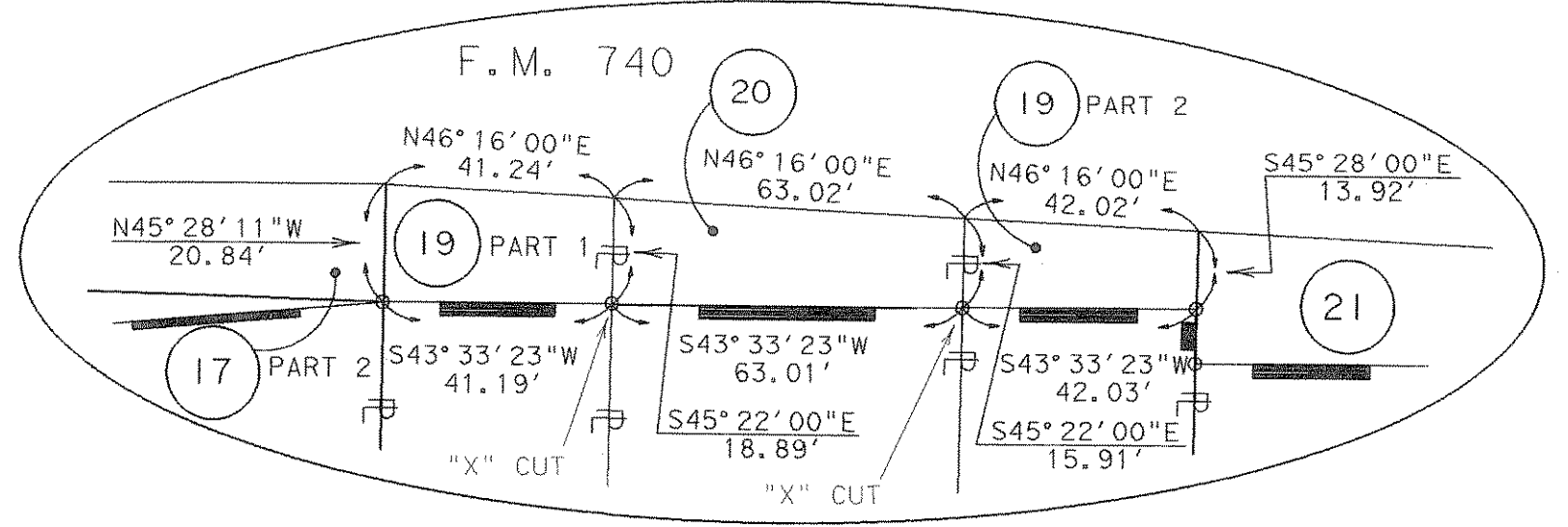


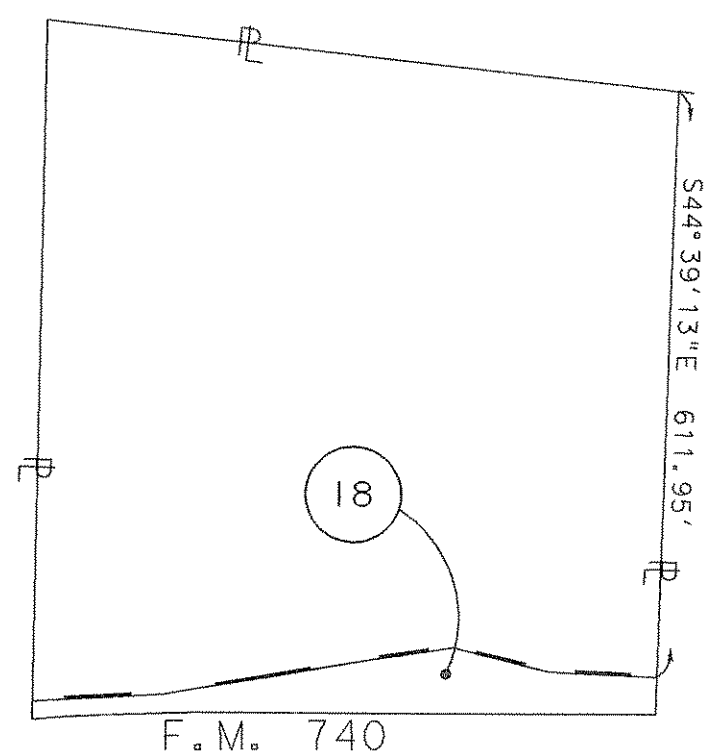
d:\8p1\FUSR2\dl1845207\fm140\sheet15.dgn

E.P.G. CHISUM SURVEY A-64



NOTE: DETAIL IS NOT TO SCALE

© INFORMATION
 $\Delta = 13^\circ 11' 40''$
 $R = 2546.48'$
 $L = 586.42'$
 $CB = N36^\circ 57' 33'' E$
 $CD = 585.12'$



18
 JAMES W. REESE Jr.
 DEED VOL. PG.
 26,392 S.F.
 REM. 8.6251 Ac.

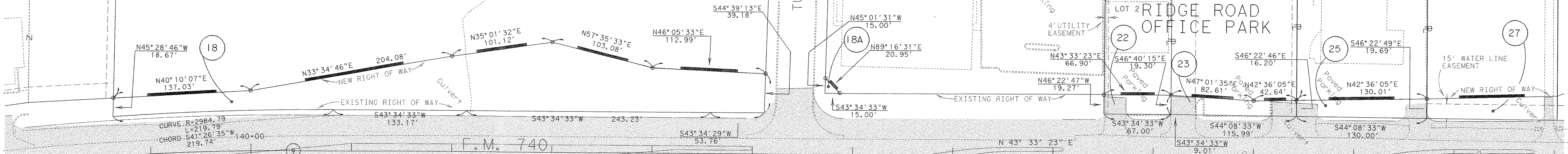
18A
 CENTRAL PARK DEVELOPMENT
 DEED VOL. PG.
 112 S.F.
 REM.
 ROCKWALL EXECUTIVE CENTER
 BLOCK A LOT 1

22
 E.P. ORNISH
 DEED VOL. PG.
 1291 S.F.
 REM. 2,930 S.F.

23
 MUTUAL FIRST INC.
 DEED VOL. PG.
 2078 S.F.
 REM. 18,922 S.F.

25
 Dr. CARL K. MCKENNEY
 DEED VOL. PG.
 2333 S.F.
 REM. 20,486 S.F.

HUDSPETH ADDITION
 BLOCK A LOT 1



17
 LEGACY CAPITAL PARTNERSHIP
 TEMPORARY EASEMENT
 VOL. PG.
 2226 S.F.

ROCKWALL TOWNE CENTRE PHASE II

17TE PART 1, 17 PART 1, 17 PART 2, 17 PART 2

16A
 LEGACY CAPITAL PARTNERSHIP
 DEED VOL. PG.
 5141 S.F.
 REM. 1.0686 Ac.

17
 AMERICAN STORES PROP.
 DEED VOL. PG.
 PART 1 6023 S.F.
 PART 2 1197 S.F.
 TOTAL 7220 S.F.
 REM. 5.8343 Ac.

19
 A.B.J. CORPORATION
 DEED VOL. PG.
 PART 1 819 S.F.
 PART 2 627 S.F.
 TOTAL 1446 S.F.
 REM. 38,023 S.F.

21
 ROLAND J. SACZEK
 DEED VOL. PG.
 3433 S.F.
 REM. 1.0039 Ac.

20
 BARBRA HENSLEY
 DEED VOL. PG.
 1096 S.F.
 REM. 2994 S.F.

24
 TEXAS CENTRE JOINT VENTURE
 DEED VOL. PG.
 409 S.F.
 REM. 27,323 S.F.

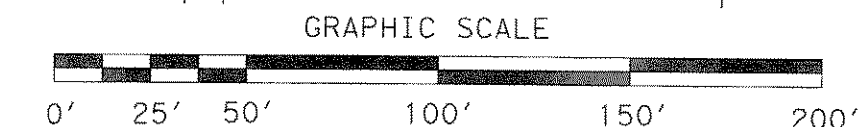
26
 STANLEY D. LOWRANCE
 DEED VOL. PG.
 1221 S.F.
 REM. 1.1657 Ac.

29
 BURGY-MILLER INC.
 DEED VOL. PG.
 105 S.F.
 REM. 1.1913 Ac.

LAKE WOOD PARK
 BLOCK A LOT 2

REVISED 9-9-99
 REVISED 9-22-98
 REVISED 4-16-98
 REVISED 4-3-98

AMERICAN STORES PROP.
 TEMPORARY EASEMENT
 VOL. PG.
 PART 1 4882 S.F.
 PART 2 207 S.F.
 TOTAL 5089 S.F.



TITLE NO.	STATE	FEDERAL AID PROJECT NO.	HIGHWAY NO.
6	TEXAS		FM 740
DISTRICT NO.	COUNTY	CONTROL NO.	SECTION NO.
18	ROCKWALL	1014	03 040
			SHEET NO.
			5