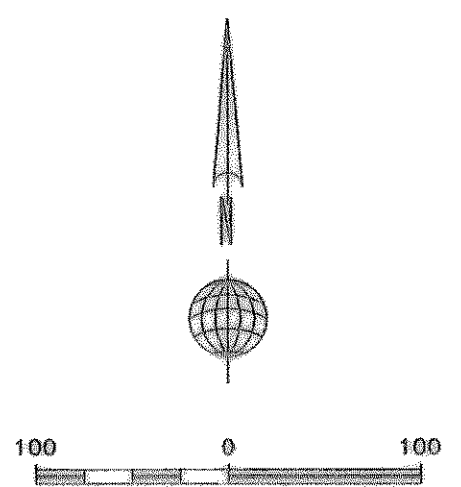
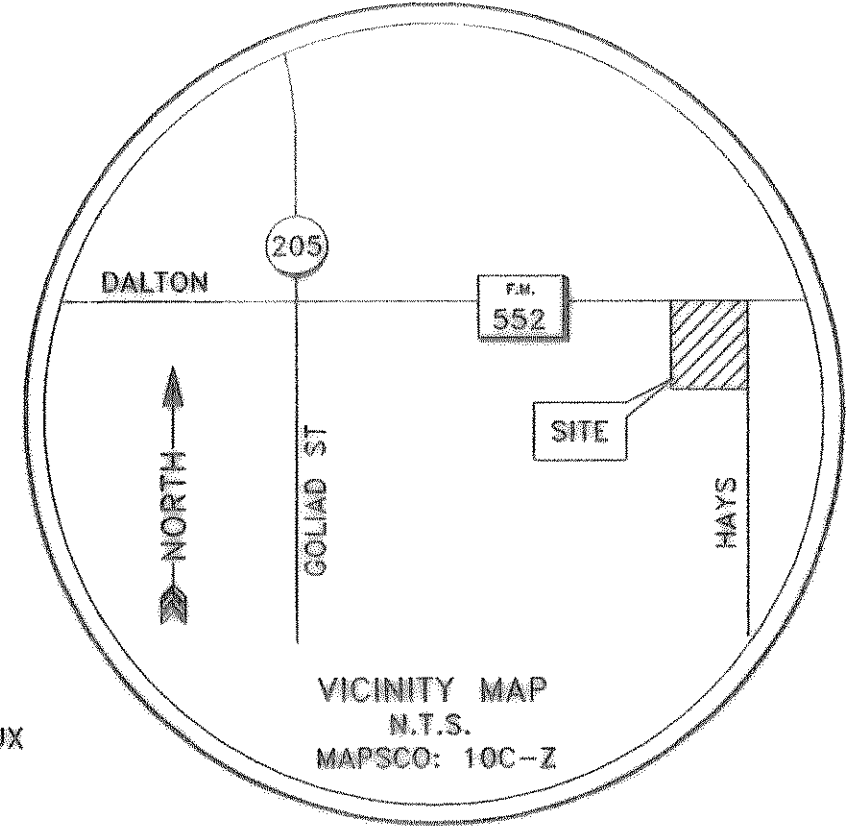
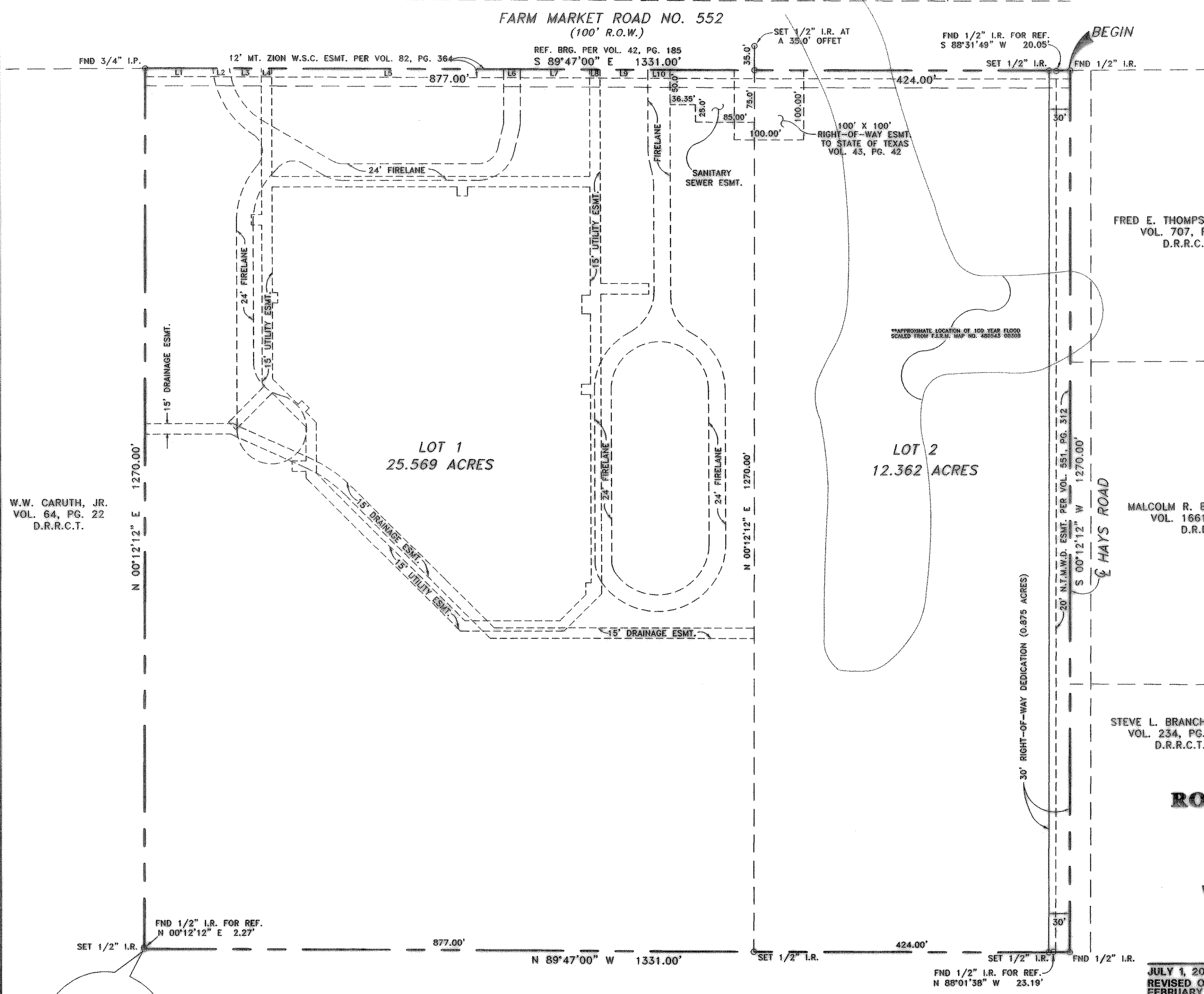


FARM MARKET ROAD NO. 552  
(100' R.O.W.)



W.W. CARUTH, JR.  
VOL. 64, PG. 22  
D.R.R.C.T.

FRED E. THOMPSON, ET UX  
VOL. 707, PG. 71  
D.R.R.C.T.

MALCOLM R. BRANCH, ET UX  
VOL. 1661, PG. 102  
D.R.R.C.T.

STEVE L. BRANCH, ET UX  
VOL. 234, PG. 527  
D.R.R.C.T.

NOTES:  
1) ALL 1/2" IRON RODS SET FOR CORNER AS SHOWN HEREON HAVE A YELLOW CAP STAMPED R.P.L.S. NO. 3963.

**FINAL PLAT  
ROCKWALL MIDDLE SCHOOL  
NO. 4 ADDITION  
LOTS 1 AND 2, BLOCK 1  
BEING 38.806 ACRES OUT OF THE  
W.T. DEWEESE SURVEY, ABSTRACT NO. 71  
ROCKWALL COUNTY, TEXAS**

STREET ADDRESS: FARM MARKET ROAD NO. 552

JULY 1, 2002  
REVISED ON  
FEBRUARY 25, 2004

SURVEYOR:  
ANALYTICAL SURVEYS, INC.  
707 EASY STREET, GARLAND TEXAS 75042  
(972) 272-6287 FAX (972) 272-8407

SCALE: 1" = 100'

OWNER:  
CITY OF ROCKWALL  
385 S. GOLIAD  
ROCKWALL, TEXAS, 75087  
TELEPHONE NO. (972) 771-7746

OWNER:  
ROCKWALL INDEPENDENT SCHOOL DISTRICT  
801 E. WASHINGTON ST.  
ROCKWALL, TEXAS, 75087  
TELEPHONE NO. (972) 771-0605  
FAX NO. (972) 771-2637

REV: 02-25-04  
REV: 10-17-03  
DATE: 07-01-02  
JOB NO. R-380  
DRAWN BY: TAM

W.W. CARUTH, JR.  
VOL. 64, PG. 22  
D.R.R.C.T.  
392.938 AC. TRACT

