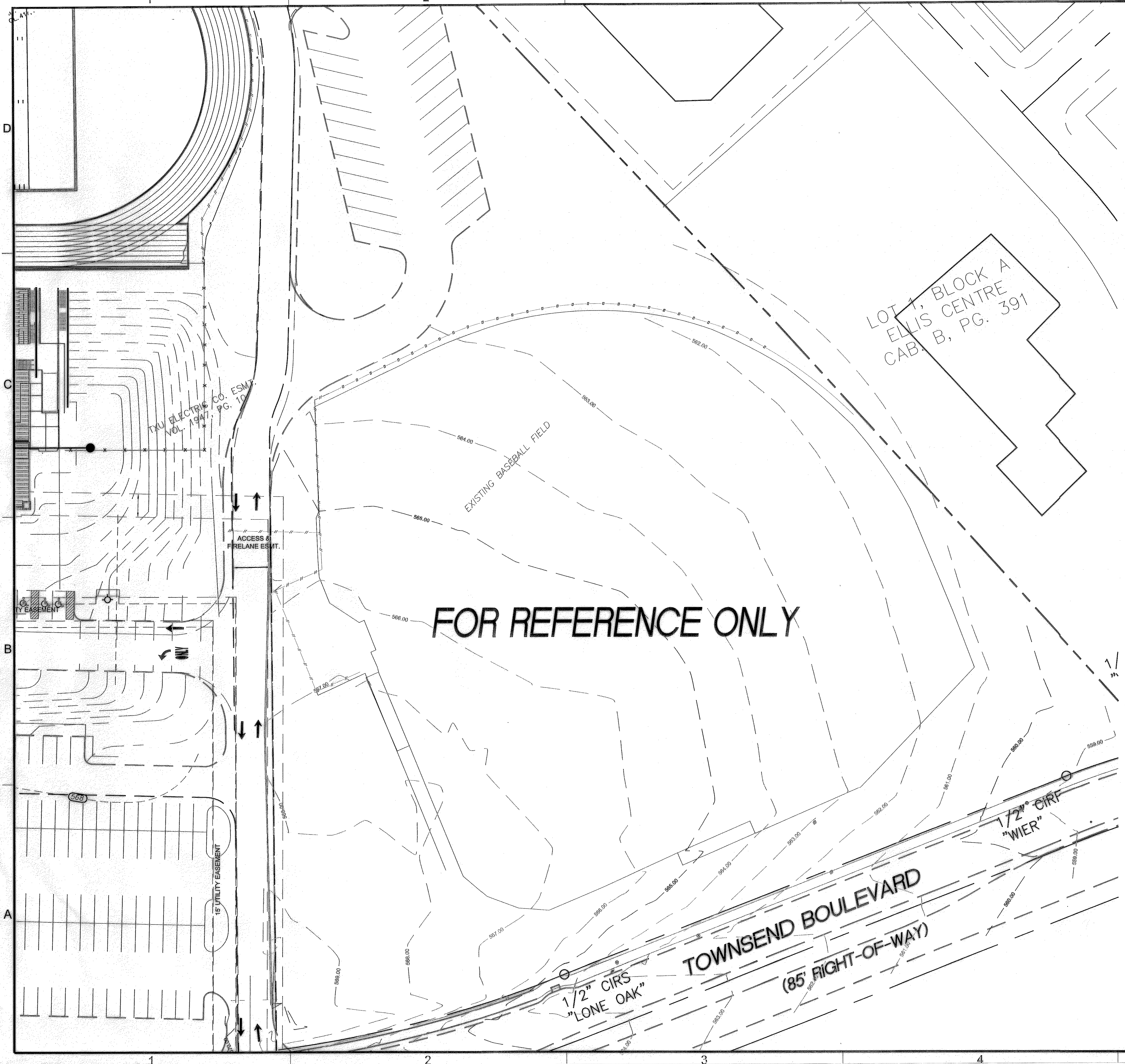
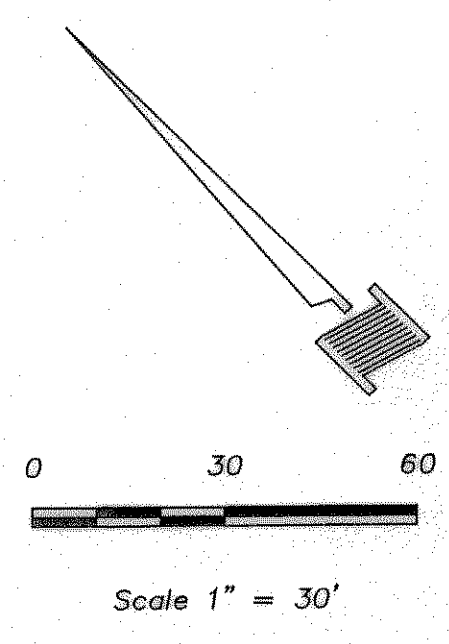


Aug 11, 2009 - 5:09pm User: HP\_Administrator  
C:\ROCKSD\TUTLEY\2009 ADDITIONS - BID SET\2009 TENNIS CENTER\BIDSET\2008\WILKERSON-SANDERS-REV11 TENNIS.dwg



**NOTE**  
UTILITIES HAVE BEEN PLOTTED FROM AVAILABLE MAPS AND RECORDS AND THEREFORE THEIR LOCATIONS ARE APPROXIMATE ONLY. ELEVATIONS SHOWN ARE BASED ON FIELD MEASUREMENTS. THERE MAY BE OTHER UTILITIES, THE EXISTENCE OF WHICH ARE NOT KNOWN TO THE UNDERSIGNED. SIZE AND LOCATION OF ALL UNDERGROUND UTILITIES MUST BE VERIFIED PRIOR TO ANY CONSTRUCTION.



**FOR REFERENCE ONLY**

LOT 1, BLOCK A  
ELLIS CENTRE  
CAB. B, PG. 391

**SHWGROUP**  
ARCHITECTS | ENGINEERS | PLANNERS  
5717 Legacy Drive  
Suite 250  
Plano, TX 75024  
P 214.473.2400  
F 214.473.2731

**GLENN ENGINEERING**  
T.B.P.E. FIRM REGISTRATION NO. F - 303  
PHONE 972-717-5151 FAX 972-717-2176  
105 DECKER COURT SUITE 910 IRVING, TEXAS 75062

Final Plans for Bidding and Construction

State of Texas  
Professional Engineer  
No. 38754  
J. Glenn  
8-11-09

**Rockwall**  
INDEPENDENT SCHOOL DISTRICT  
TENNIS COMPLEX AT  
WILKERSON SANDERS  
STADIUM  
ROCKWALL, TEXAS

CHECKED:  
File:  
© 2009 SHW Group LLP  
ISSUE: 07/30/2009

Revisions:

1	08/06/09	CITY REVISIONS
2	08/11/09	CITY REVISIONS

Sheet Title:  
**TOPOGRAPHIC SURVEY**

**RECORD DRAWING**  
This is to certify that changes and corrections have been made to conform to the engineer's record of this project.  
Signed: *J. Glenn* Date: **5.26.10**  
Glenn Engineering Corporation

**V 1.01**