

C. On-site sidewalks
 Concrete sidewalks shall be a width as designated on site plan and a minimum of 4 inches thick, constructed of 3,600 psi, in 28 days concrete with 4-8% entrained air and reinforced with #3 bars at 24" O.C.E.W., supported with proper support chairs. Expansion joints shall be at 60' maximum O.C. and sawcut contraction joints at maximum 18' O.C. All joints to be cleaned and filled with hot poured rubber (gray) with #3 bars at 18" O.C.E.W. Tooled construction joints shall be 5'-0" O.C. one-half inch expansion joint shall be placed every 40 feet and where new work is constructed adjacent to other concrete work (walls, foundation, curb, etc.). The joints shall be filled with 1/2-inch pre molded gray bituminous expansion joint filler and shall extend the entire depth and width of the concrete section.

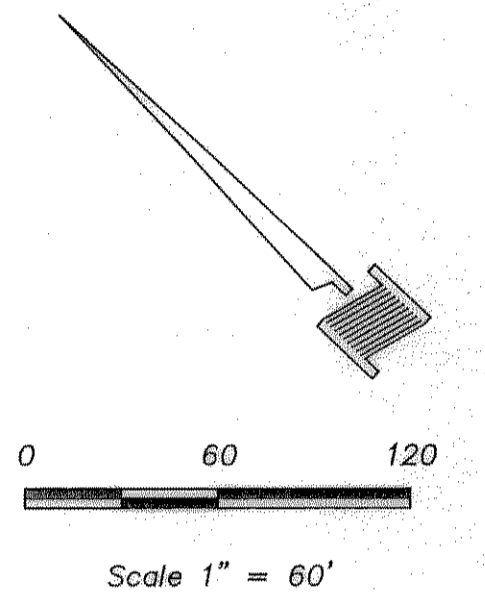
Finish of sidewalks shall be with a broom finish per engineer. Walks shall have tooled curb edges & tooled joints.

Walks shall have tooled curb edges & tooled joints.

III. Finishing for concrete driveway, parking lot and street curbs

The exposed surfaces of driveways and parking lot shall have a monolithic finish by floating with a wooden flat until a slight excess of sand appears on the surfaces. In no case shall the surface be left slick or with a glossy finish. Exposed surfaces of sidewalks shall have a monolithic finish by trowling with a steel trowel and brushed lightly with an approved broom. The edge of all concrete shall be neatly rounded to the required radii with an edging tool.

The exposed surface of curbs and curbs with gutter shall be shaped with a "mule" and brushed with a wet brush at right angle to the line of the curb to produce a uniform textured surface. The edges shall be neatly rounded off to the required radii. Use of grout over a rough finished texture will not be allowed.



PAVING LEGEND

	NEW TENNIS COURTS SEE TENNIS COURT SPECIFICATIONS FOR PAVEMENT TYPE
	PROPOSED 5" REINFORCED CONCRETE PAVEMENT 3,600 P.S.I. CONCRETE, 6 1/2 SACK HAND FINISH 6 SACK MACHINE FINISH WITH #3 REBARS ON 18" CENTERS EACH WAY.
	PROPOSED 4" REINFORCED CONCRETE SIDEWALK 3,600 PSI CONCRETE, #3 REBARS ON 18" CENTERS EACH WAY

RECORD DRAWING
 This is to certify that changes and corrections have been made to conform to the contractor's record of this project.

Signed: *J. Glenn* Date: 5/26/10
 Glenn Engineering Corporation

NOTE: NO SAND WILL BE PERMITTED UNDER PAVEMENT.

SHW GROUP
 ARCHITECTS | ENGINEERS | PLANNERS

5717 Legacy Drive
 Suite 250
 Plano, TX 75024
 P 214.473.2400
 F 214.473.2731

GLENN ENGINEERING
 T.B.P.E. FIRM REGISTRATION NO. F - 303

PHONE 972-717-5151 FAX 972-717-2176
 105 DECKER COURT-SUITE 910 IRVING, TEXAS 75082

Final Plans for Bidding and Construction



Rockwall
 INDEPENDENT SCHOOL DISTRICT

**TENNIS COMPLEX AT
 WILKERSON SANDERS
 STADIUM
 ROCKWALL, TEXAS**

CHECKED:
 File:
 © 2009 SHW Group LLP

ISSUE: 07/30/2009

Revisions:

1	08/06/09	CITY REVISIONS
2	08/11/09	CITY REVISIONS

Sheet Title:
**OVERALL
 PAVING
 PLAN**

CP1.01

Aug 11, 2009 - 4:11pm User: HP Administrator
 C:\ROCKISD\UTLEY\2008 ADDITIONS\BID SET\2009 TENNIS CENTER\BIDSET\2008\WILKERSON-SANDERS-REV11 TENNIS.dwg