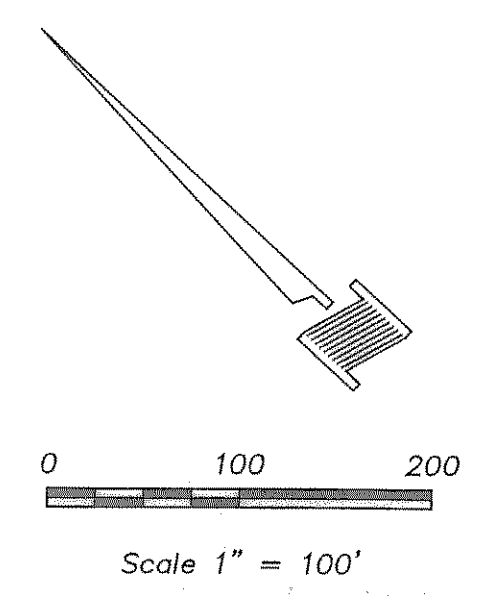
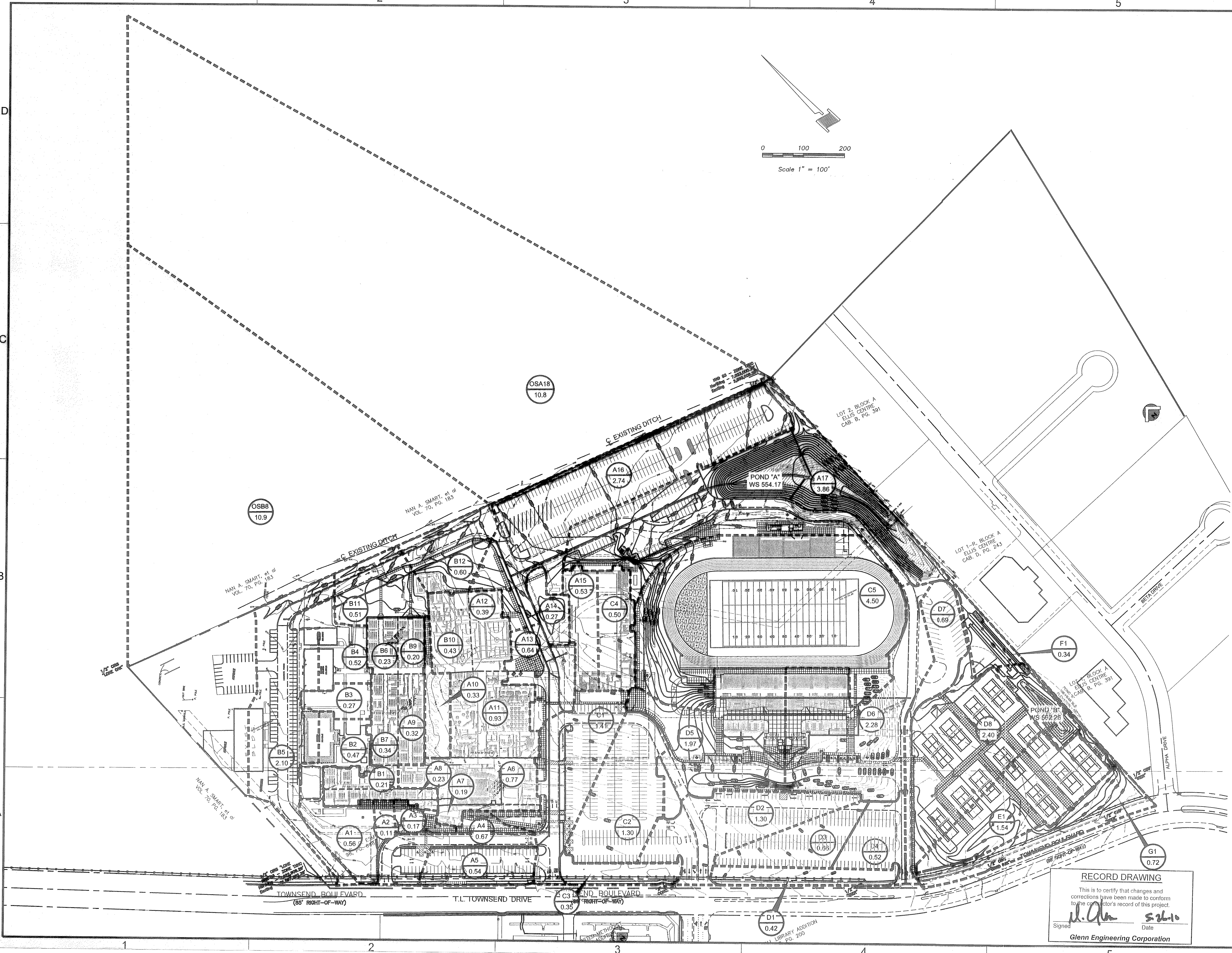


Aug 11, 2009 - 4:09pm User: HP\_Administrator  
 C:\ROCKSD\DTITLEY\2008 ADDITIONS-BID SET\2009 TENNIS CENTER\BIDSET\2008\WILKERSON-SANDERS-REV11 TENNIS.dwg



**RECORD DRAWING**  
 This is to certify that changes and corrections have been made to conform to the contractor's record of this project.  
 Signed: *[Signature]* Date: 5/26/10  
 Glenn Engineering Corporation

**SHWGROUP**  
 ARCHITECTS | ENGINEERS | PLANNERS  
 5717 Legacy Drive  
 Suite 250  
 Plano, TX 75024  
 P 214.473.2400  
 F 214.473.2731

**GLENN ENGINEERING**  
 T.B.P.E. FIRM REGISTRATION NO. F - 303  
 PHONE 972-717-5151 FAX 972-717-2176  
 105 DECKER COURT-SUITE 910 IRVING, TEXAS 75062

Final Plans for Bidding and Construction

**Rockwall**  
 INDEPENDENT SCHOOL DISTRICT  
 TENNIS COMPLEX AT  
 WILKERSON SANDERS  
 STADIUM  
 ROCKWALL, TEXAS

CHECKED:  
 File: 2009 SHW Group LLP  
 ISSUE: 07/30/2009

Revisions:

1	08/06/09	CITY REVISIONS
2	08/11/09	CITY REVISIONS

Sheet Title:  
**DRAINAGE  
 AREA  
 MAP**

**CG 1.05**  
 SHW Project: 4109.045.00