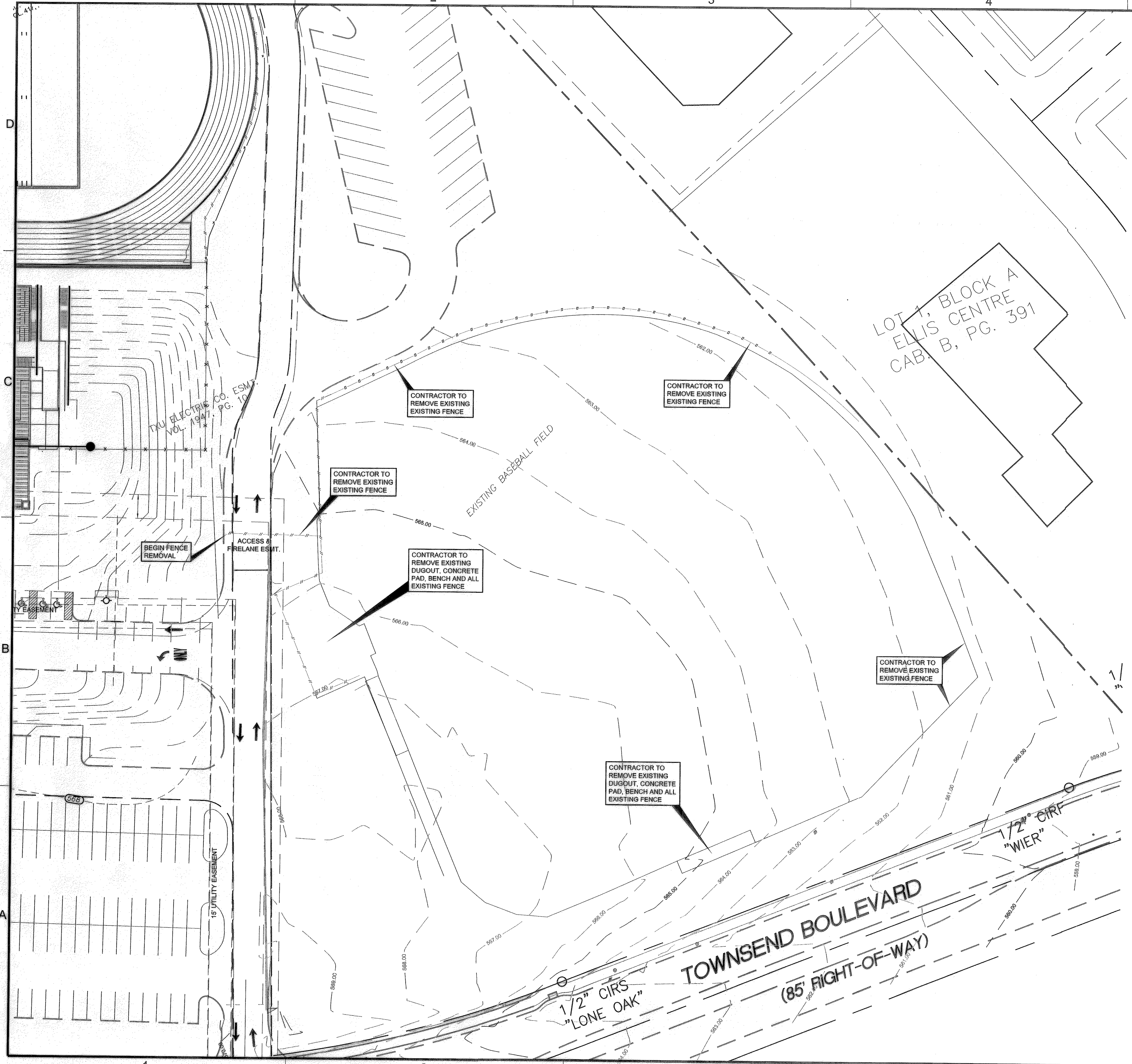


Aug 11, 2009 5:09pm User: HP Administrator
 C:\ROCKWALL\UTLEY\2008 ADDITIONS\BID SET\2009 WILKERSON-SANDERS-REV11 TENNIS.dwg

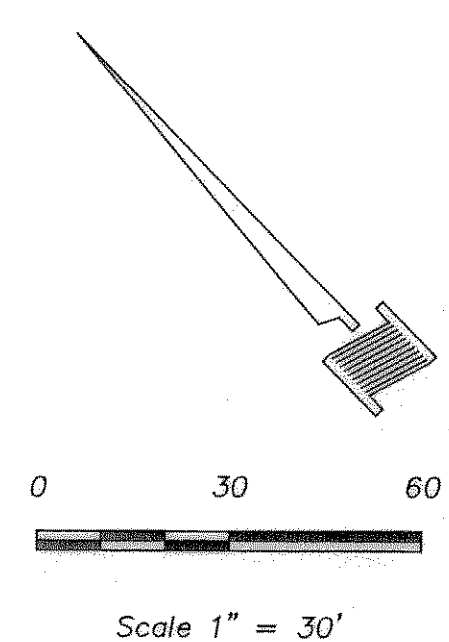


- DEMOLITION NOTES:**
1. CONTRACTOR SHALL CONSULT ALL UTILITY COMPANIES AND VERIFY LOCATION OF ALL UNDERGROUND UTILITIES PRIOR TO DEMOLITION. REMOVAL AND RELOCATION OF ALL UTILITY LINES, METERS, VALVES, ETC. SHALL BE PERFORMED PER REQUIREMENTS OF THE CITY OF ROCKWALL & UTILITY COMPANIES. ANY DAMAGE TO PUBLIC UTILITIES SHALL BE THE GENERAL CONTRACTOR'S RESPONSIBILITY TO CORRECT.
 2. ALL DEMOLITION AND CONSTRUCTION TO BE KEPT WITHIN THE BOUNDARIES OF THE SITE OR AS DESIGNATED BY CONSTRUCTION ENGINEER. ANY DAMAGE BY CONTRACTOR TO ADJOINING PROPERTIES OR ITEMS NOT IN THE DESIGNATED DEMOLITION AREA SHALL BE THE GENERAL CONTRACTOR'S RESPONSIBILITY TO CORRECT.
 3. REMOVE ALL EXISTING UNDERGROUND UTILITIES, CAP AS REQUIRED. BACK FILL AND COMPACT PER CITY OF ROCKWALL SPECIFICATIONS.
 4. REMOVE SURFACE PAVING AS NEEDED TO COMPLETE PAVING PLAN.
 5. REMOVE EXISTING SIGNAGE, INCLUDING POSTS AND FOUNDATIONS.
 6. REMOVE ANY OTHER ITEMS NOT INDICATED ABOVE BUT WHICH MUST BE DEMOLISHED TO COMPLETE PROJECT AS DESIGNATED BY SITE PLAN.

NOTE:
 Contractor shall remove all sprinkler heads and equipment in the areas occupied by the construction and staging areas. Terminate/cap off all lines as required. All sprinkler heads and equipment shall be given to the owner. The contractor is responsible for making all necessary changes to the irrigation system that are required to keep the remaining areas outside the construction areas in working order. This includes relocation of any valves, piping, controls, etc., to operate the system.

At the completion of the construction project, this contractor is responsible for installation of an irrigation system throughout the areas that were involved in the construction. Equipment installed shall be the same as that which was removed. Owner will provide the equipment that was removed back to the contractor. Any additional equipment required will be by the contractor.

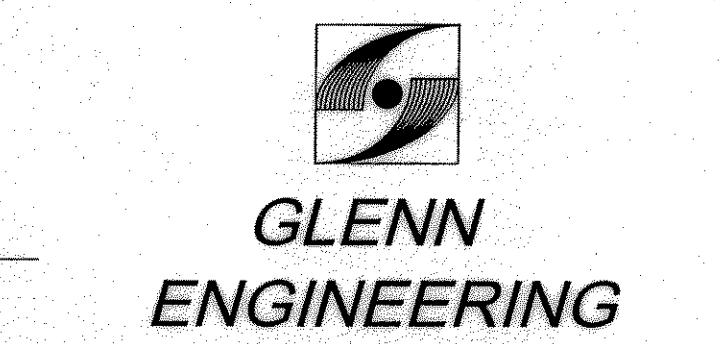
CAUTION!!!!
 CONTACT:
 ONCOR: 1-800-344-8377
 AT&T: 1-800-344-8377
 TEXAS UTIL & ELEC COMPANY: 1-800-344-8377
 SOUTHWESTERN BELL: 1-800-344-8377
48 HOURS PRIOR TO CONSTRUCTION



RECORD DRAWING
 This is to certify that changes and corrections have been made to conform to the contractor's record of this project.
 Signed: *[Signature]* Date: 5.26.10
 Glenn Engineering Corporation

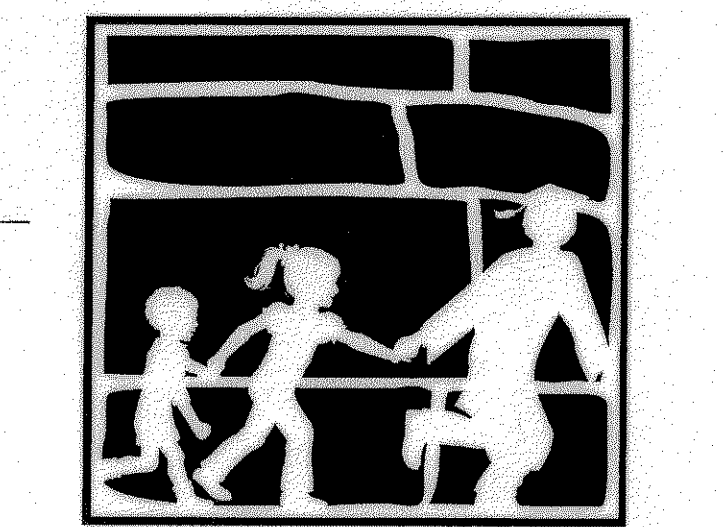
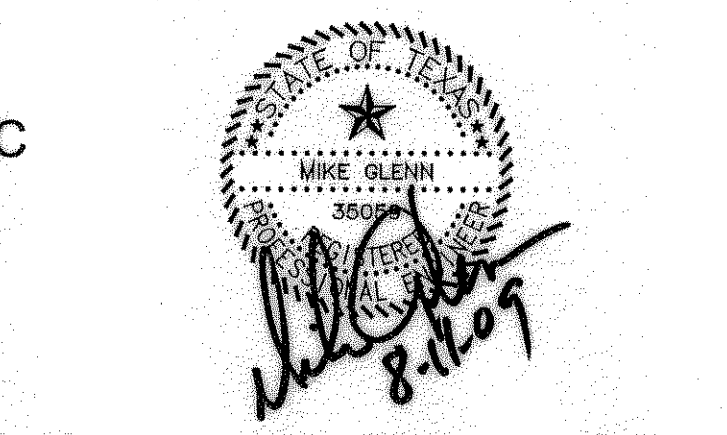


5717 Legacy Drive
 Suite 250
 Plano, TX 75024
 P 214.473.2400
 F 214.473.2731



PHONE 972-717-5151 FAX 972-717-2176
 105 DECKER COURT-SUITE 910 IRVING, TEXAS 75062

Final Plans for Bidding and Construction



TENNIS COMPLEX AT WILKERSON SANDERS STADIUM
 ROCKWALL, TEXAS

CHECKED:
 File:
 © 2009 SHW Group LLP
 ISSUE: 07/30/2009

Revisions:

1	08/06/09	CITY REVISIONS
2	08/11/09	CITY REVISIONS

Sheet Title:
DEMOLITION PLAN

CD 1.01