

Copyright Reserved

The Contractor shall verify and be responsible for all dimensions. DO NOT scale the drawing - any errors or omissions shall be reported to Stantec without delay. The Copyrights to all designs and drawings are the property of Stantec. Reproduction or use for any purpose other than that authorized by Stantec is forbidden.

Consultants

GLENN ENGINEERING
T.B.P.E. FIRM REGISTRATION NO. F - 303

PHONE 972-717-5151 FAX 972-717-2176
4500 FULLER DRIVE - SUITE 220 IRVING, TEXAS 75038

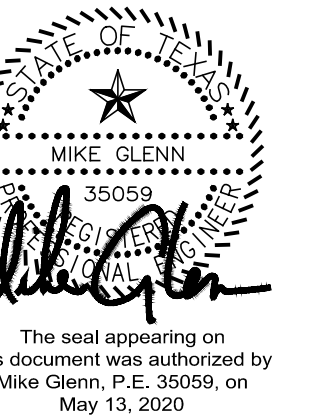
Notes



8 - RH #40	RAH	CMG	2020.05.13
7 - RH #79 - FC 20 - REV	RAH	CMG	2020.03.13
6 - RH #116 AND #117	RAH	CMG	2020.01.13
5 - RH #20 AND #21	RAH	CMG	2019.07.23
4 - RH #16	RAH	CMG	2019.07.12
3 - CITY COMMENTS	RAH	CMG	2019.04.30
2 - ASI #1 - CITY COMMENTS	RAH	CMG	2019.04.02
Revision	By	Appd	YYYY.MM.DD

100%CD - For Bidding and Construction	RAH	CMG	2019.03.01
Issued	By	Appd	YYYY.MM.DD

Permit-Seal



Client/Project
Rockwall ISD

Elementary School #15

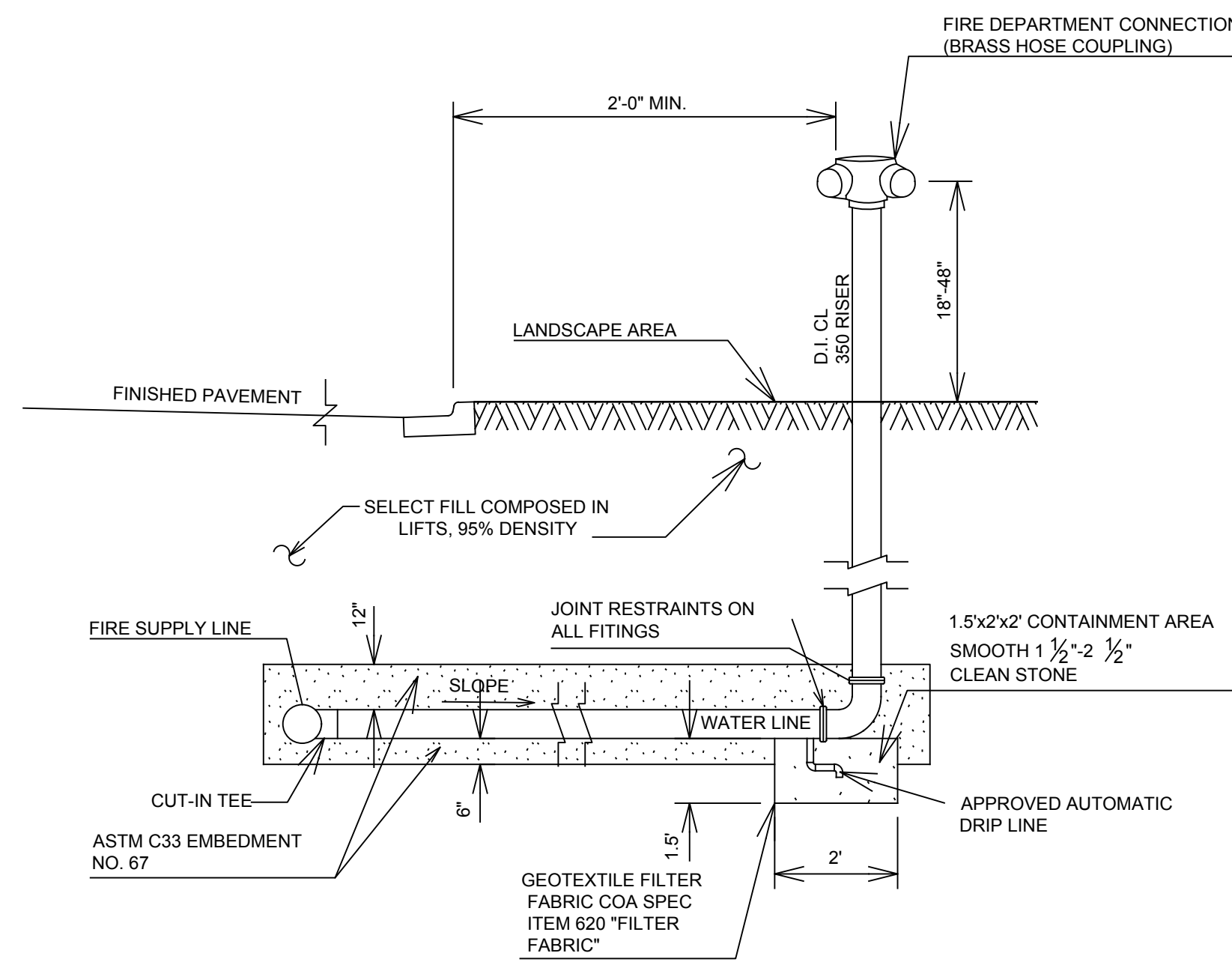
2911 Greenway Drive
Rockwall, TX 75087

Title
PRIVATE STORM DETAILS 2

Project No. 214000654 Scale AS SHOWN
Revision Drawing No.



C
05.13

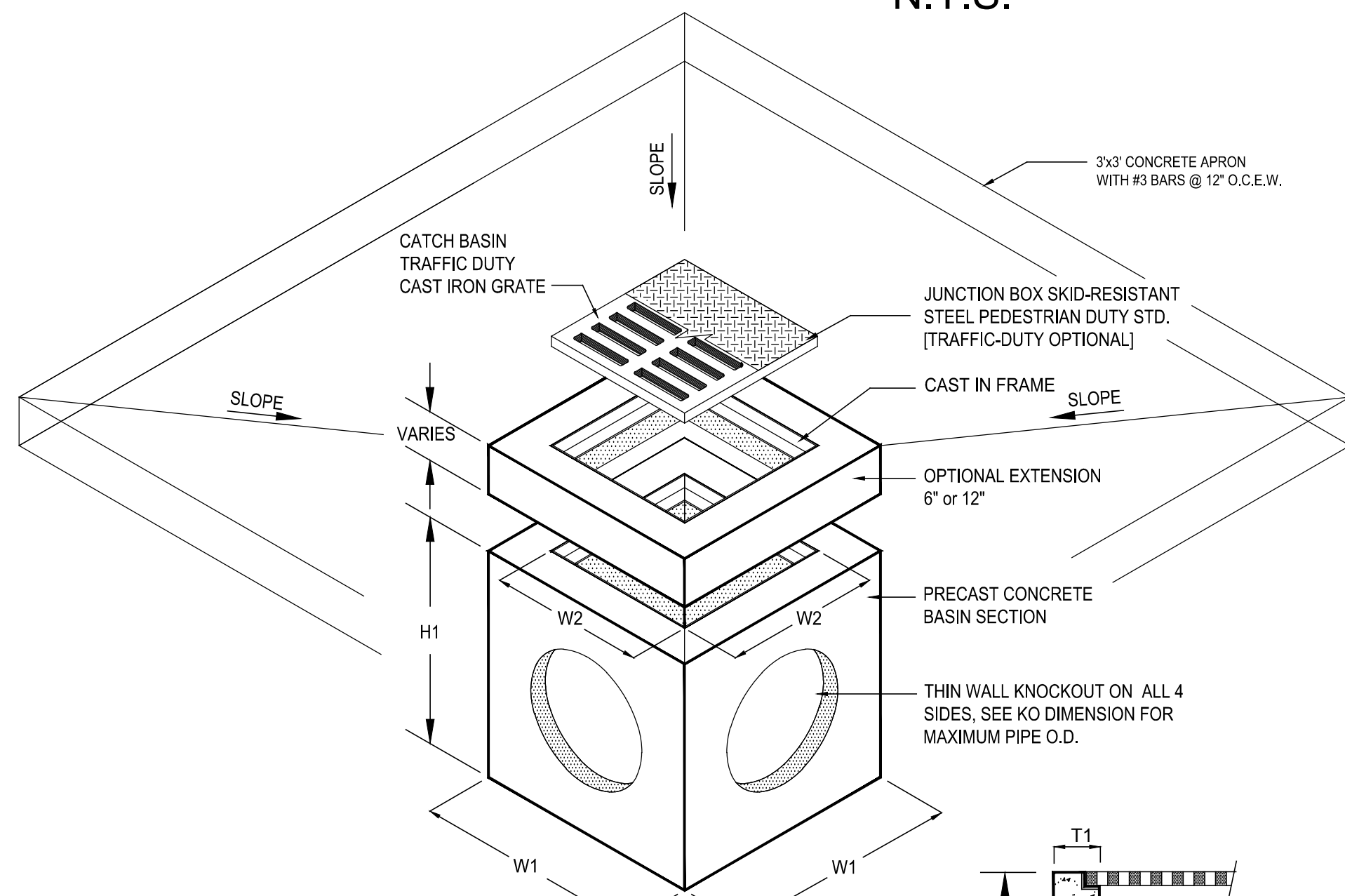
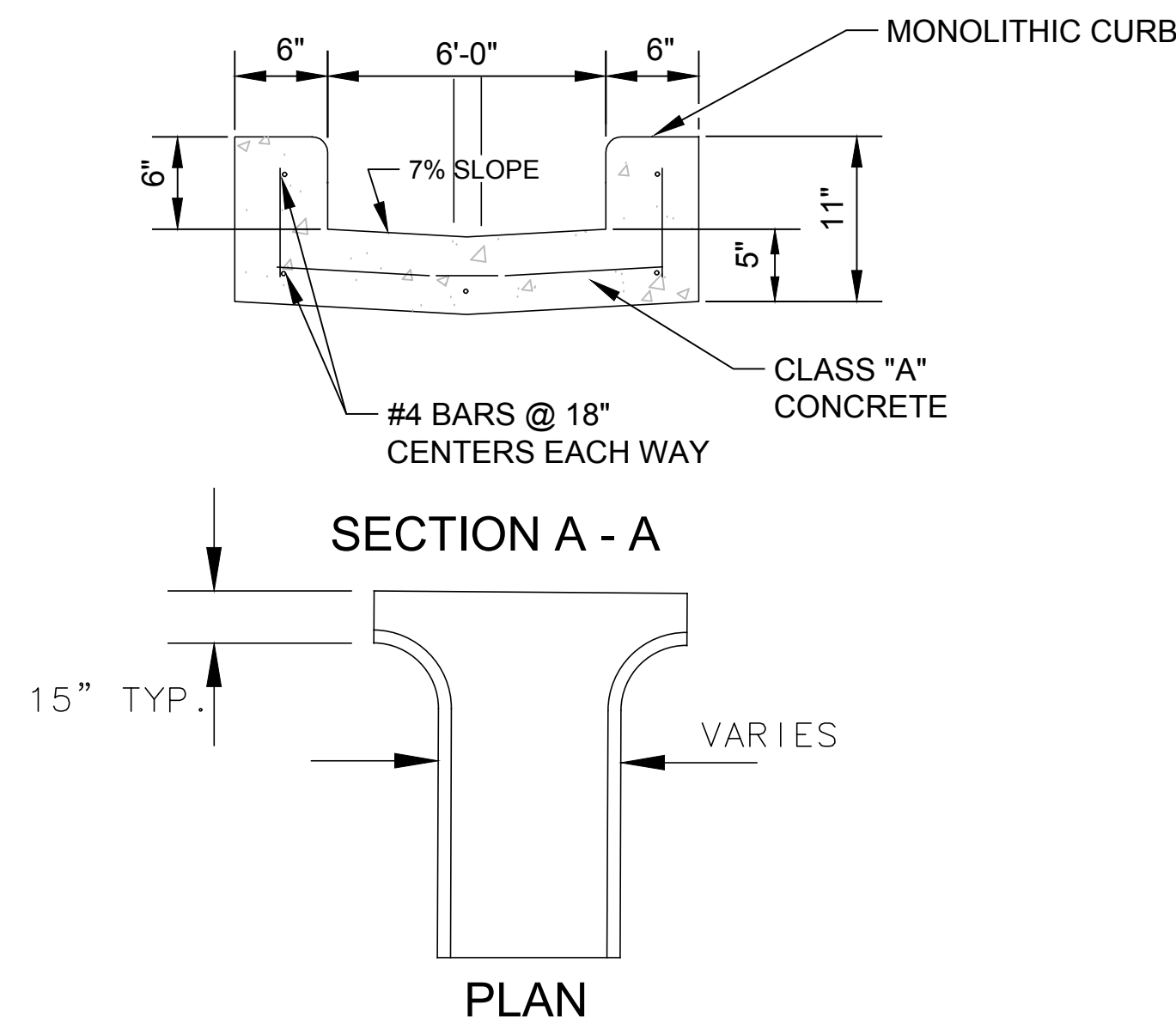


- NOTES:
1. THE PIPING BETWEEN THE CHECKVALVE AND THE OUTSIDE HOSE COUPLING SHALL BE EQUIPPED WITH AN APPROVED AUTOMATIC DRIP ON THE LOWEST PORTION OF THE PIPING. UNDERGROUND PIPE SHALL BE SLOPED FOR DRAINAGE.
 2. PIPE SHALL BE SIZED IN ACCORDANCE WITH NFPA 13.
 3. FIRE DEPARTMENT CONNECTION SHALL CONSIST OF TWO 2 1/2" CONNECTIONS USING NPT INTERNAL THREADED SWIVEL FITTINGS.
 4. WATER PIPE MAY BE CONNECTED DIRECTLY TO FIRE SUPPLY LINE IN LIEU OF DIRECTLY INSIDE THE BUILDING. (SEE DETAIL.)
 5. GEOTEXTILE CONTAINMENT AREA MAY BE SUBSTITUTED WITH CONCRETE VAULT. DRIP LINE MUST BE PROTECTED FROM DIRT AND DEBRIS TO ENSURE LINE DOES NOT CLOG.

FIRE DEPARTMENT CONNECTION
N.T.S.

NOTES:

1. FLUME NEEDS TO BE FLARED AT ENTRANCE ONLY FOR HYDRAULIC PURPOSES.



MODEL #	CATCH BASIN	JUNCTION BOX	DIMENSIONS							GRATE SIZE	WEIGHT LBS
			W1	W2	H1	H2	T1	KO			
CB12	JB12	15"	10"	21"	18"	2"	10"	12"x12"x1"	180		
CB18	JB18	24"	16"	34"	30"	4"	15"	18"x18"x1"	1,000		
CB20	JB20	26"	18"	34"	30"	4"	17"	20"x20"x1"	1,335		
CB24	JB24	32"	22"	41"	36"	5"	22"	24"x24"x2"	2,245		
CB27	JB27	37"	25"	42"	36"	6"	24"	27"x27"x2"	2,875		
CB30	JB30	42"	30"	42"	36"	6"	30"	32"x32"x2"	3,675		
CB36	JB36	48"	36"	54"	48"	6"	32"	38"x38"x2"	4,585		

1. CB12 CATCHBASIN IS RATED FOR PEDESTRIAN LOADING. ALL OTHERS ARE TRAFFIC DUTY.
2. ALL JUNCTION BOXES SHALL BE STANDARD TRAFFIC DUTY.

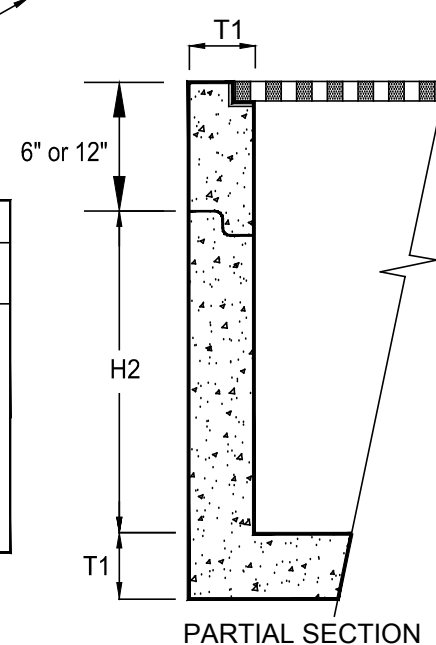
PRIVATE PRECAST CONCRETE CATCHBASIN / JUNCTION BOX 18" THRU 36"
NOT TO SCALE

SPECIFICATIONS

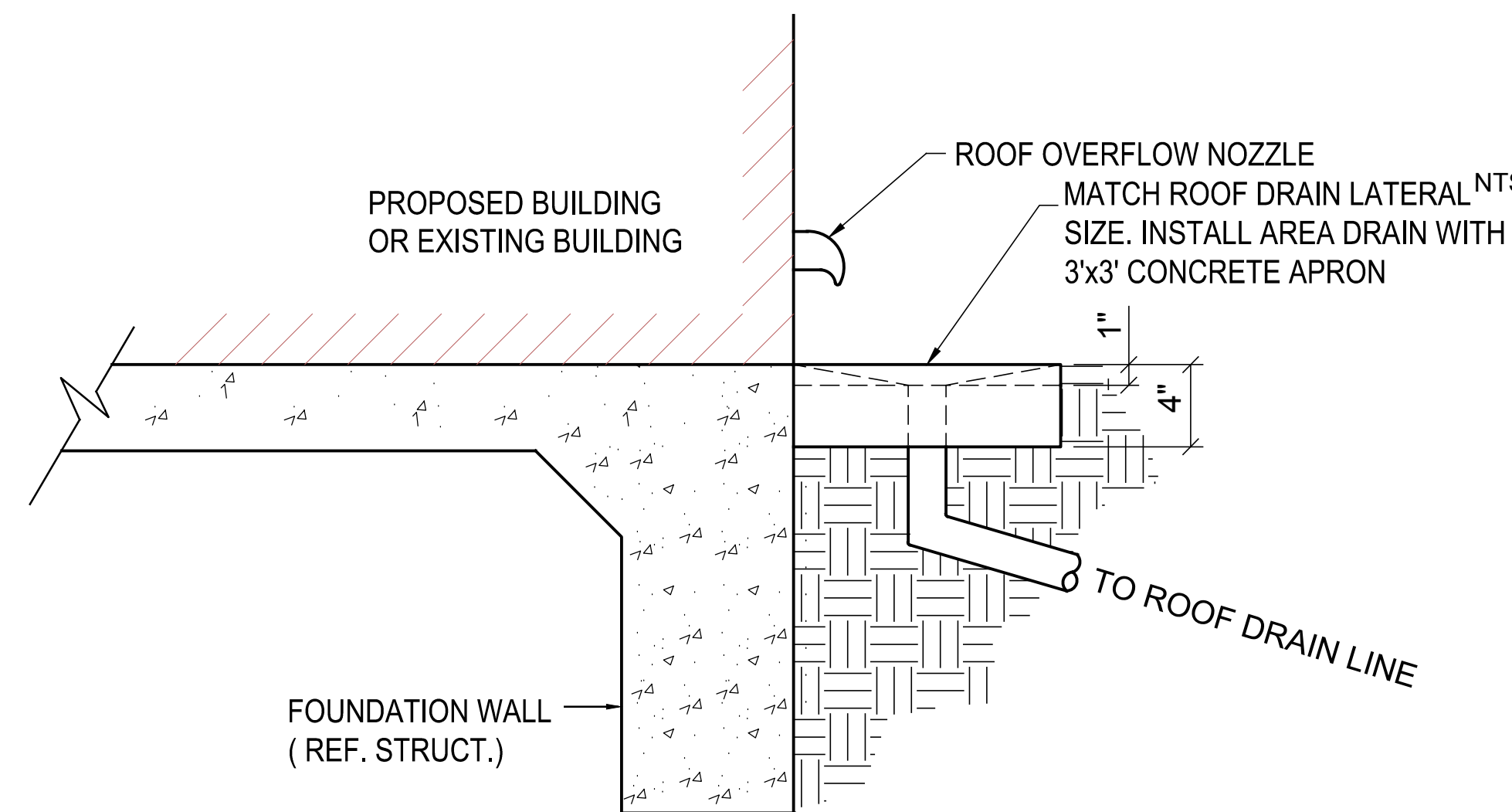
CONCRETE: Class 1 concrete with design strength of 4500 PSI at 28 days. Unit is of monolithic construction at floor and first stage of wall with sectional riser to required depth.

REINFORCEMENT: Grade 60 reinforced. Steel rebar conforming to ASTM A615 on required centers or equal.

C.I. CASTINGS: Cast iron frames and grates are manufactured of grey cast iron conforming to ASTM A48-76 Class 30.



ALL AREA DRAINS SHALL BE CB24 (24" X24")

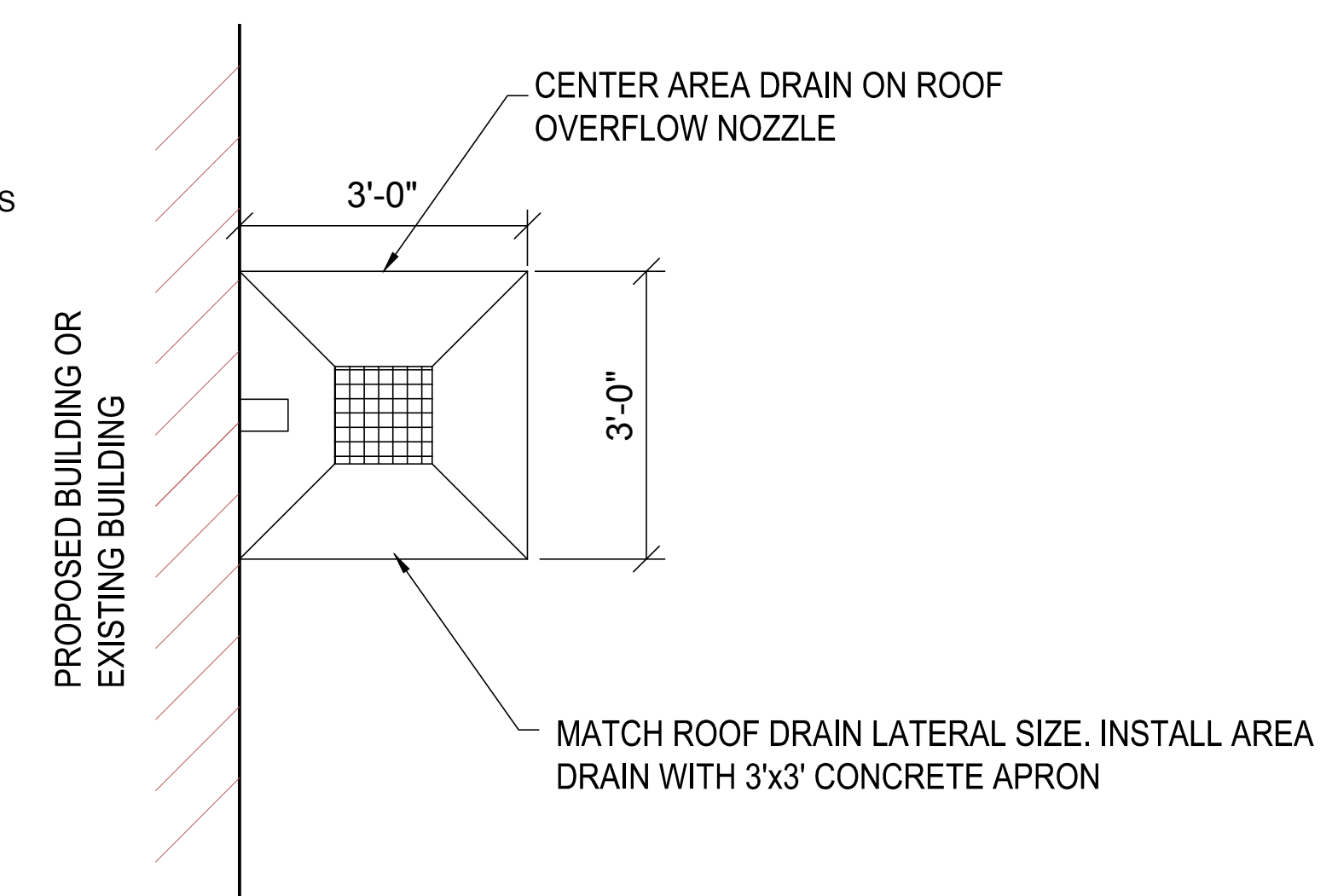


SECTION

NOTE: CONTRACTOR TO INSTALL AT ALL ROOF DRAIN OVERFLOW LOCATIONS

ROOF DRAIN OVERFLOW NOZZLE DETAILS OUTSIDE FOUNDATION WALL

NTS



PLAN

Plotted: Jun 1, 2020, 2:31 PM by user: jph - Saved: 7/12/2019 by user: robert R:\ROCKWALL\STONE CREEK ELEM\BID\SET\STONE CREEK DETAILS ONLY.dwg