

Copyright Reserved

The Contractor shall verify and be responsible for all dimensions. DO NOT scale the drawing - any errors or omissions shall be reported to Stantec without delay.  
The Copyrights to all designs and drawings are the property of Stantec. Reproduction or use for any purpose other than that authorized by Stantec is forbidden.

Consultants

**GLENN ENGINEERING**  
T.B.P.E. FIRM REGISTRATION NO. F - 303

PHONE 972-717-5151 FAX 972-717-2176  
4500 FULLER DRIVE - SUITE 220 IRVING, TEXAS 75038

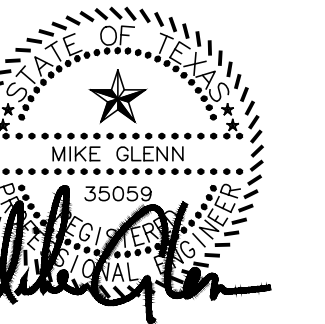
Notes



Revision	By	Appd	YYYY.MM.DD
8 - RH #40	RAH	CMG	2020.05.13
7 - RH #79 - PC 20 - REV	RAH	CMG	2020.03.13
6 - RH #116 AND #117	RAH	CMG	2020.01.13
5 - RH #20 AND #21	RAH	CMG	2019.07.23
4 - RH #16	RAH	CMG	2019.07.12
3 - CITY COMMENTS	RAH	CMG	2019.04.30
2 - ASI #1 - CITY COMMENTS	RAH	CMG	2019.04.02

Revision	By	Appd	YYYY.MM.DD
100%CD - For Bidding and Construction	RAH	CMG	2019.03.01

Permit-Seal



The seal appearing on this document was authorized by Mike Glenn, P.E. 35059, on May 13, 2020.

Client/Project  
Rockwall ISD

Elementary School #15

2911 Greenway Drive  
Rockwall, TX 75087

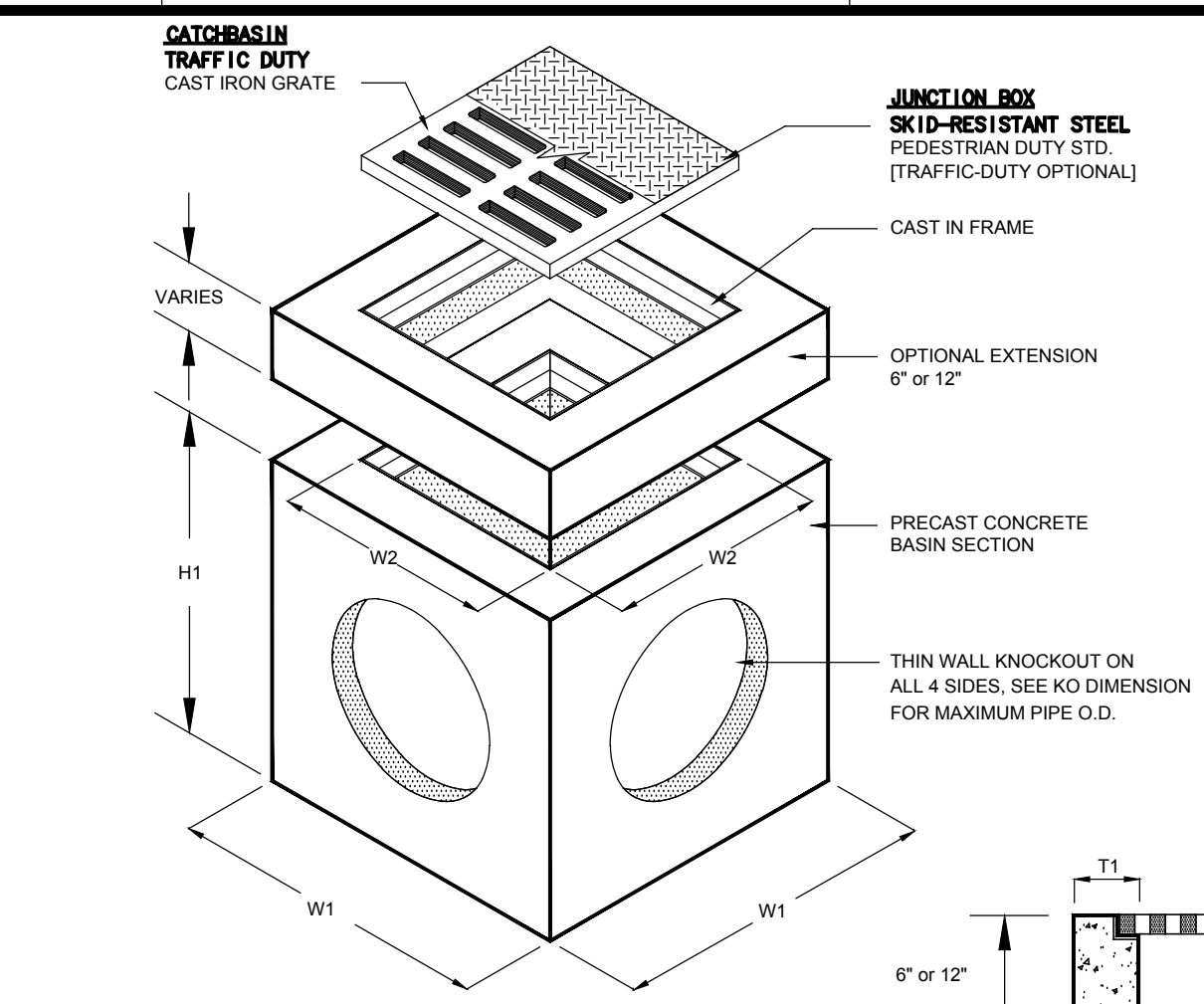
Title  
**STORM DETAILS 1**

Project No. 214000654 Scale AS SHOWN

Revision Drawing No.



C  
05.12



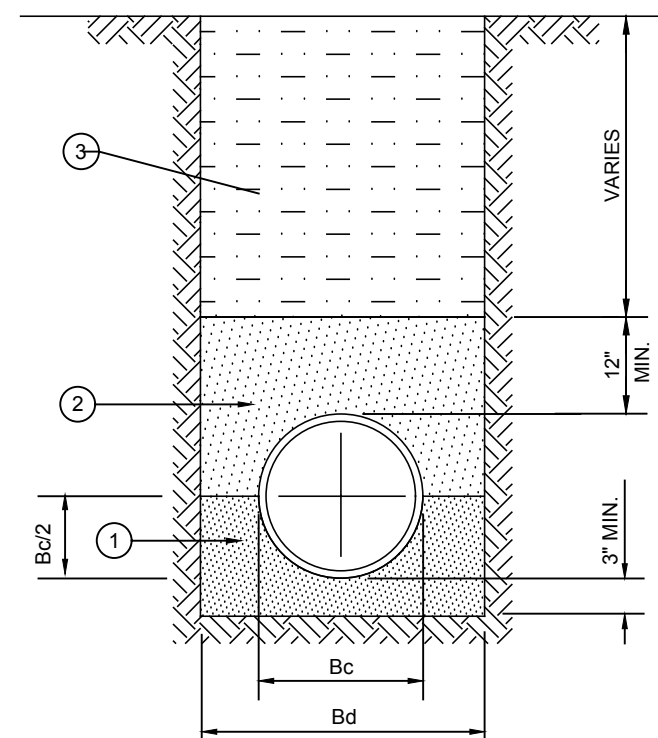
MODEL #	JUNCTION BOX	W1	W2	H1	H2	T1	K0	GRATE SIZE	WEIGHT LBS
CB12	JB12	15"	10"	21"	18"	2"	10"	12"x12"x1"	180
CB18	JB18	24"	16"	34"	30"	4"	15"	18"x18"x1"	1,000
CB20	JB20	26"	18"	34"	30"	4"	15"	20"x20"x1"	1,335
CB24	JB24	32"	22"	41"	36"	5"	22"	24"x24"x2"	2,245
CB27	JB27	37"	25"	42"	36"	6"	24"	27"x27"x2"	2,875
CB30	JB30	42"	30"	42"	36"	6"	30"	32"x32"x2"	3,675
CB36	JB36	48"	36"	54"	48"	8"	32"	36"x36"x2"	4,585

1. CB12 CATCHBASIN IS RATED FOR PEDESTRIAN LOADING. ALL OTHERS ARE TRAFFIC DUTY.  
2. ALL JUNCTION BOXES SHALL BE STANDARD TRAFFIC DUTY.

**PRECAST CONCRETE CATCHBASIN / JUNCTION BOX 18" THRU 36"**  
NOT TO SCALE

**SPECIFICATIONS**  
CONCRETE : Class 1 concrete with design strength of 4500 PSI at 28 days. Unit is of monolithic construction at floor and first stage of wall with sectional riser to required depth.  
REINFORCEMENT: Grade 60 reinforced. Steel rebar conforming to ASTM A615 on required centers or equal.  
C.I. CASTINGS: Cast iron frames and grates are manufactured of grey cast iron conforming to ASTM A48-76 Class 30.

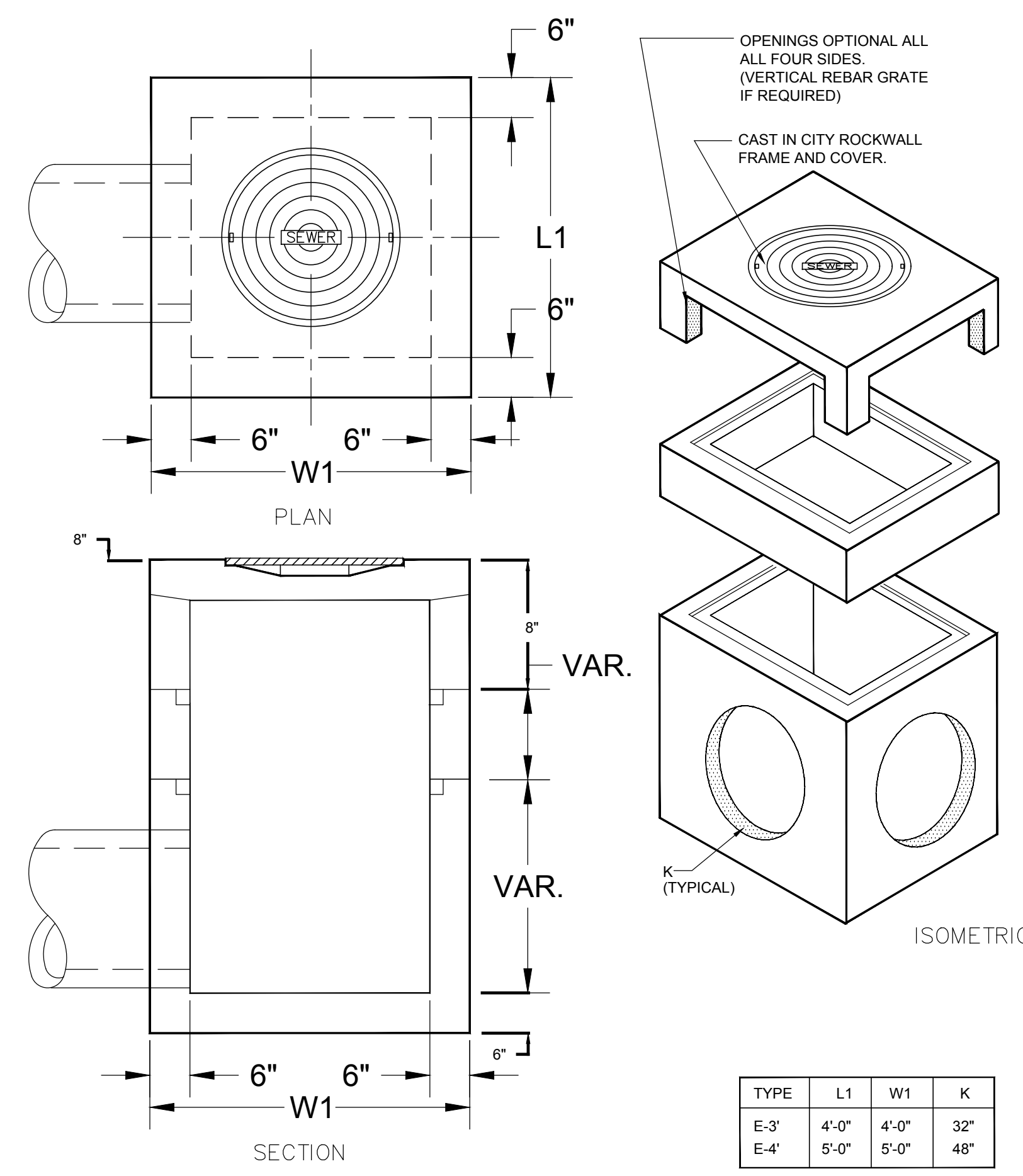
**ALL AREA DRAINS SHALL BE CB24 (24" X24")**



- FINE GRADATION CRUSHED STONE - TOP LAYER IS TO BE PLACED TO GRADE TO PROVIDE UNIFORM SUPPORT OF PIPE BARRIL. EXCAVATE BELL HOLES.
- SELECT MATERIAL FREE OF ROCKS, CLUMPS OR DEBRIS LARGER THAN 6" IN GREATEST DIMENSION. COMPACT TO 95% STANDARD PROCTOR DENSITY. UNDER STRUCTURES, ROADWAYS AND PAVEMENT, USE NON-GRANULAR MATERIAL COMPACTED TO 95% STANDARD PROCTOR DENSITY. (NO SAND PERMITTED ABOVE STONE)
- SELECT MATERIAL FREE OF ROCKS, CLUMPS OR DEBRIS LARGER THAN 6" IN GREATEST DIMENSION. COMPACT TO 95% STANDARD PROCTOR DENSITY. UNDER STRUCTURES, ROADWAYS AND PAVEMENT, COMPACT TO 95% STANDARD PROCTOR DENSITY.

**CLASS "B+" EMBEDMENT**  
NOT TO SCALE  
ROOF DRAIN LINES AND STORM SEWER LINES

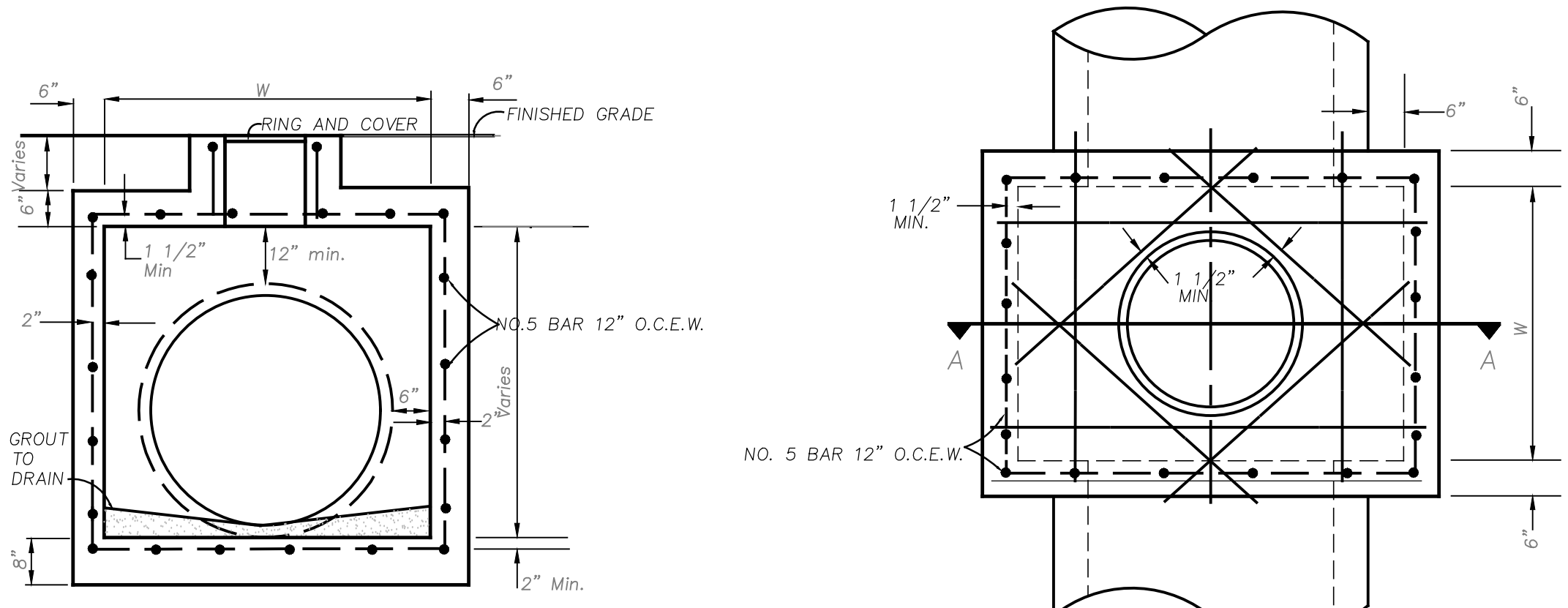
RECORD DRAWING  
THIS IS TO CERTIFY THAT CHANGES AND CORRECTIONS HAVE BEEN MADE TO CONFORM TO THE CONTRACTOR'S RECORD OF THIS PROJECT.  
SIGN: *Cheryl Ann...*  
DATE: 06/01/2020  
Glenn Engineering Corporation



**"Y" INLET DETAIL**  
NOT TO SCALE

**SPECIFICATIONS**  
CONCRETE : Class 1 concrete with design strength of 4500 PSI at 28 days. Unit is of monolithic construction at floor and first stage of wall with sectional riser to required depth. Rated for H-20 Loading.  
REINFORCEMENT: Grade 60 reinforced. No. 4 steel rebar to conform to ASTM A615 on required centers or equal.  
C.I. CASTINGS: Cast iron frames and grates are manufactured of grey cast iron conforming to ASTM A48-76 Class 30.

TYPE	L1	W1	K
E-3'	4'-0"	4'-0"	32"
E-4'	5'-0"	5'-0"	48"

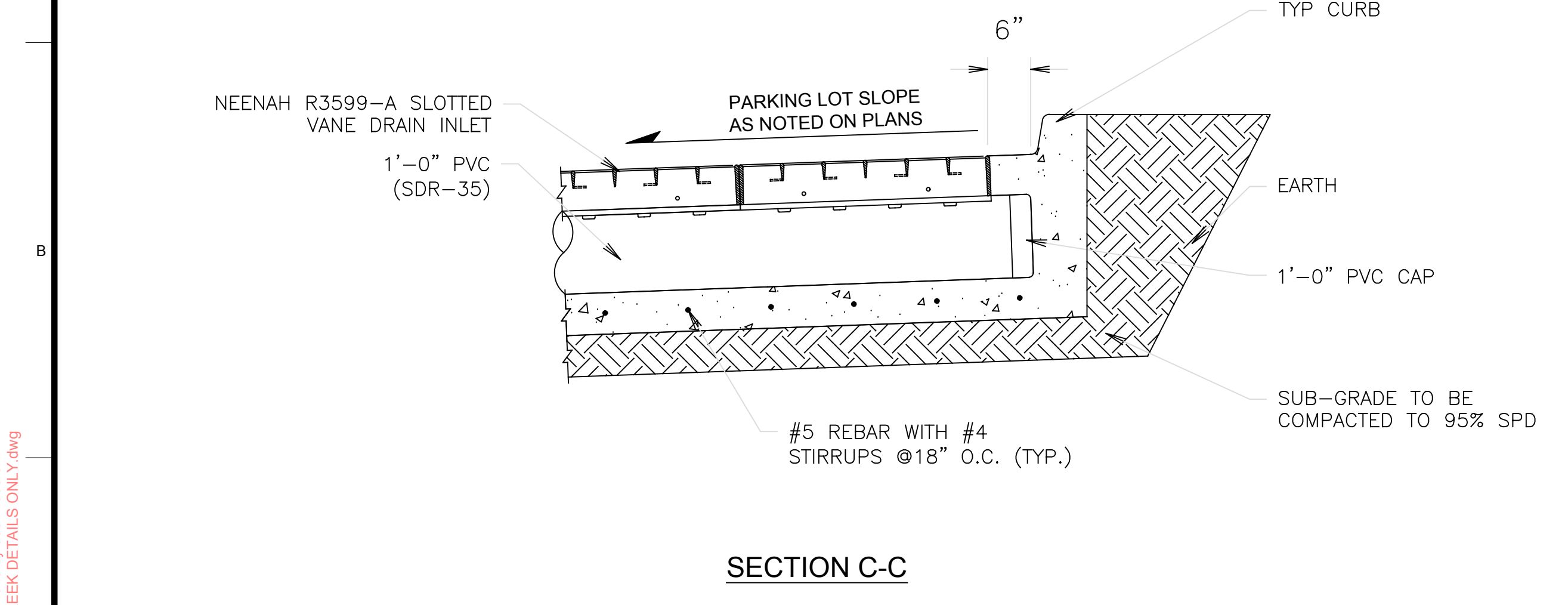
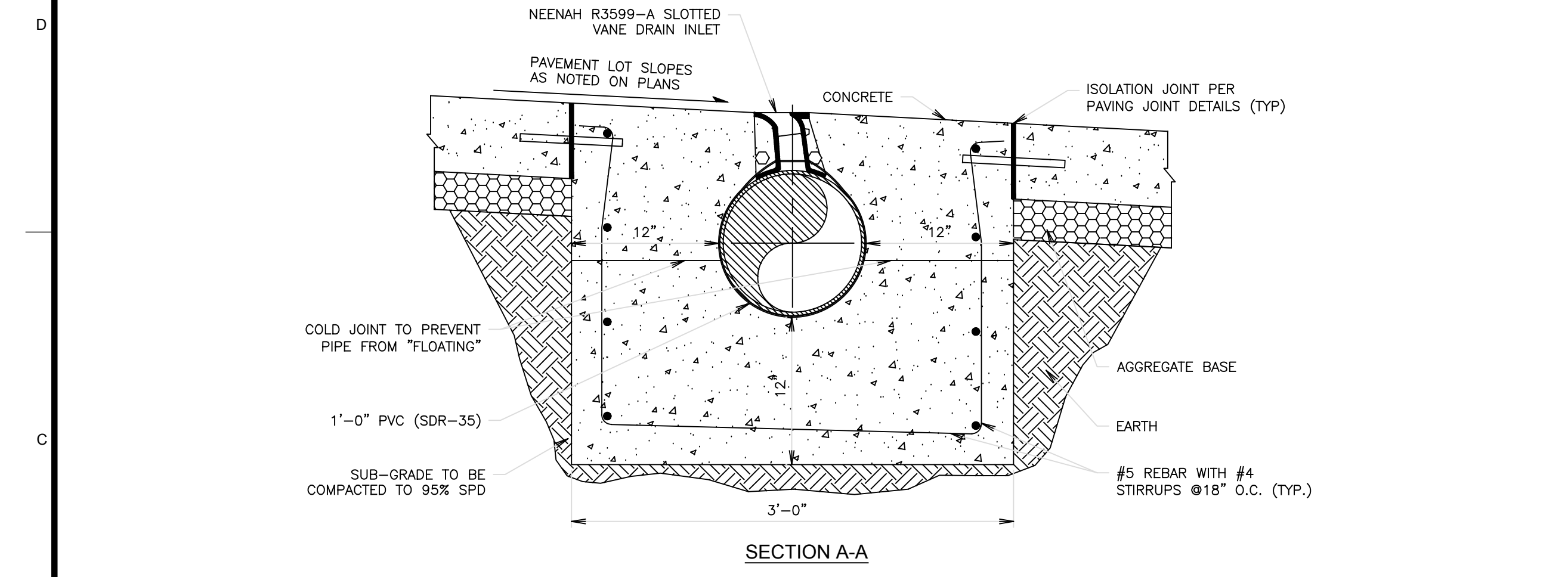
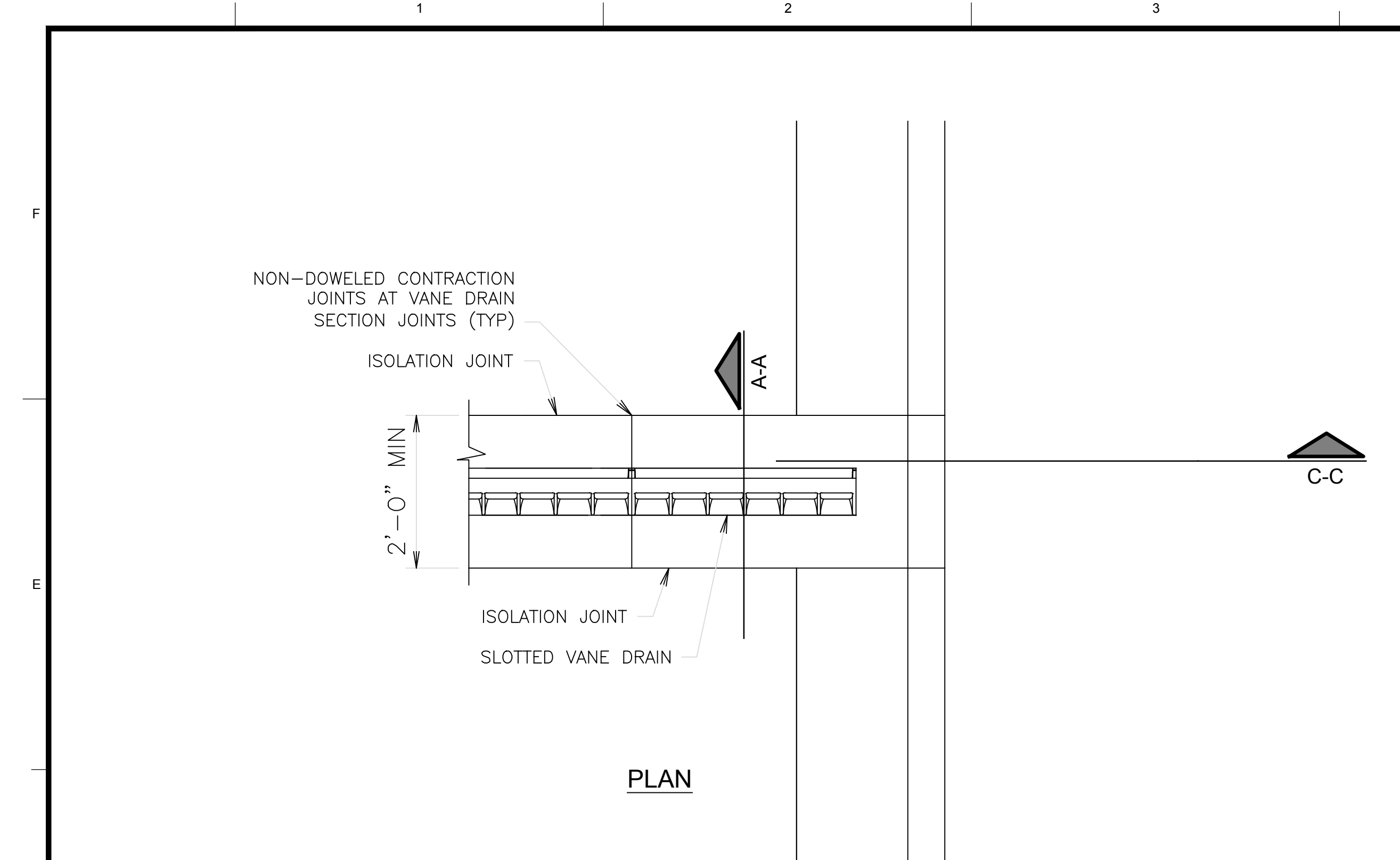


**SECTION A-A**  
Not To Scale

**STORM SEWER JUNCTION BOX DETAIL**  
Not To Scale

**NOTES:**  
1. JUNCTION BOX FLOWLINE TO MATCH STORM SEWER FLOWLINE.  
2. ALL STEEL TO BE GRADE 60, NO. 5 BAR 12" O.C.E.W. EACH FACE.  
3. CONCRETE TO BE 4200 PSI, (6 1/2 SACK) 28 DAYS.  
4. GROUT FLOOR TO DRAIN.  
5. RING & COVER FOR #4 TO BE NEENAH FOUNDRY NO. R-1915-D OR APPROVED EQUIVALENT.  
7. RISER TO BE MONOLITHIC WITH JUNCTION BOX.

NOTE: THE CITY OF ROCKWALL CONSTRUCTION STANDARDS APPLY, WHETHER INDICATED ON THESE PLANS OR NOT.



**SLOTTED VANE DRAIN DETAIL**

Plotted: Jun 1, 2020, 2:31 PM by user: phn - Saved: 7/12/2019 by user: robert R:\ROCKWALL\STONE CREEK ELEM\BID\SET\STONE CREEK DETAILS ONLY.dwg