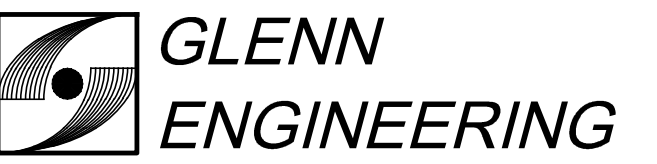


Copyright Reserved

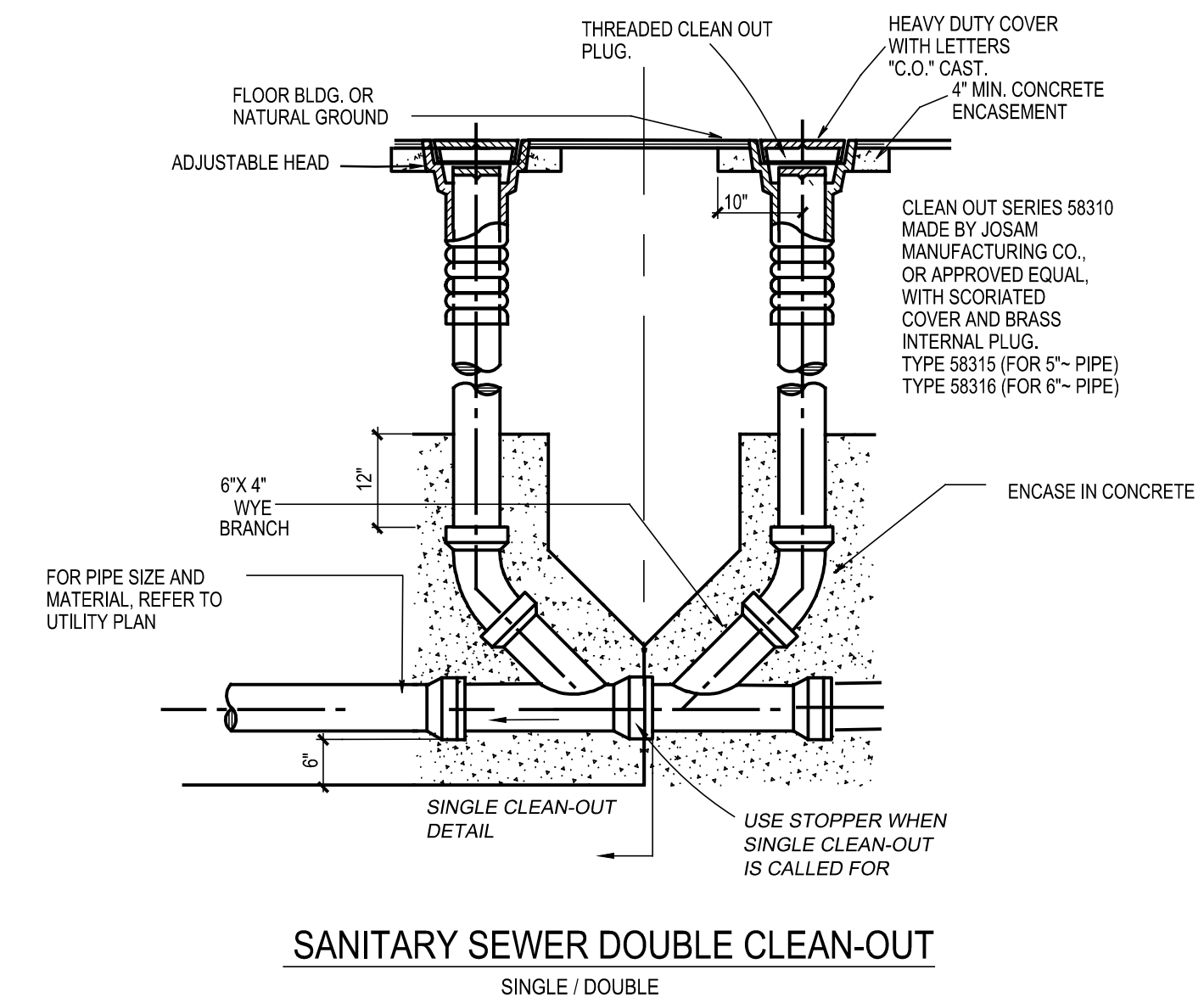
The Contractor shall verify and be responsible for all dimensions. DO NOT scale the drawing - any errors or omissions shall be reported to Stantec without delay. The Copyrights to all designs and drawings are the property of Stantec. Reproduction or use for any purpose other than that authorized by Stantec is forbidden.

Consultants

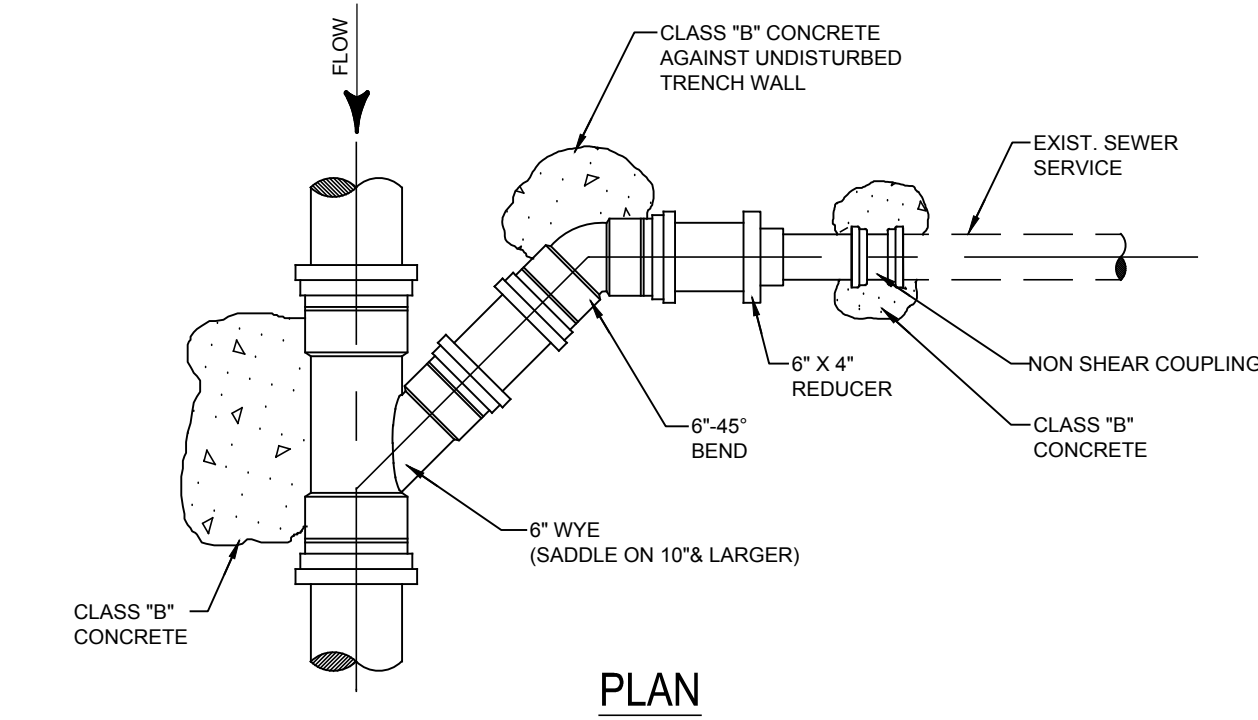


T.B.P.E. FIRM REGISTRATION NO. F - 303

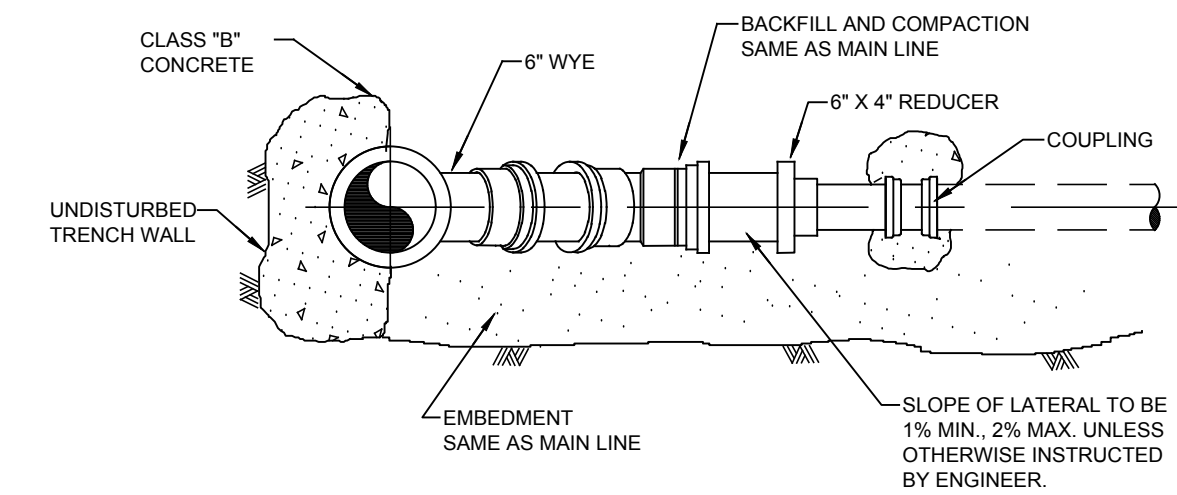
PHONE 972-717-5151 FAX 972-717-2176
4500 FULLER DRIVE - SUITE 220 IRVING, TEXAS 75038



SANITARY SEWER DOUBLE CLEAN-OUT
SINGLE / DOUBLE



PLAN

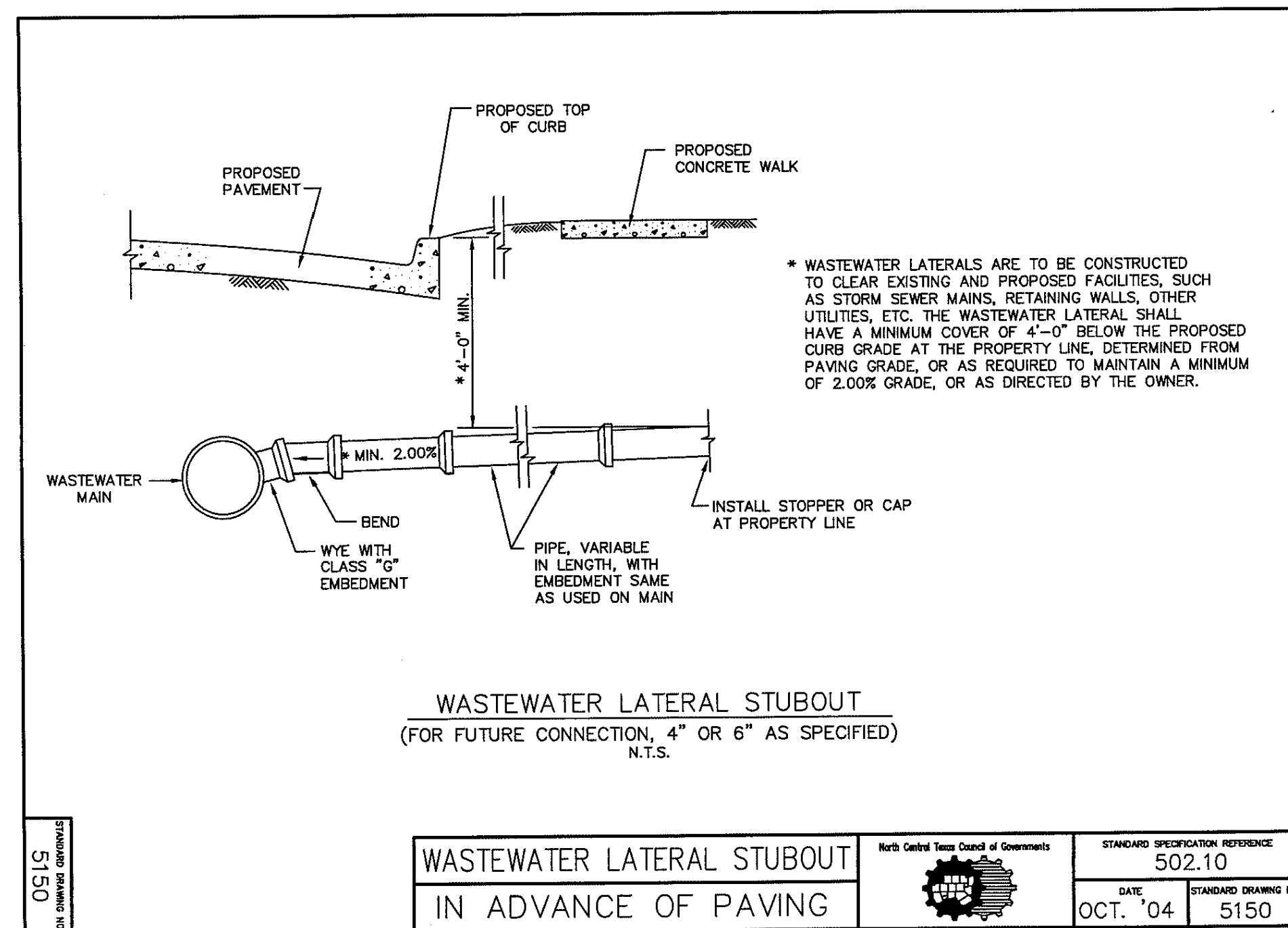


SECTION

**DETAIL
SANITARY SEWER
LATERAL**

3/4"=1'-0"

NCTCOG DETAILS HAVE BEEN MODIFIED BY THE CITY OF ROCKWALL. SEE NOTES DESIGNATED *MODIFICATIONS FOR THOSE REVISED.



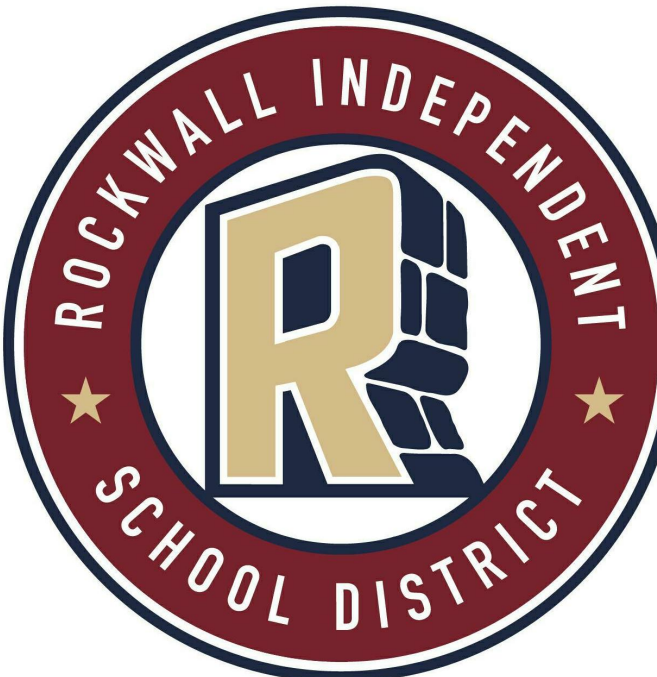
WASTEWATER LATERAL STUBOUT
(FOR FUTURE CONNECTION, 4" OR 6" AS SPECIFIED)
N.T.S.

**WASTEWATER LATERAL STUBOUT
IN ADVANCE OF PAVING**

North Central Texas Council of Governments	STANDARD SPECIFICATION REFERENCE
	502.10
DATE	STANDARD DRAWING NO.
OCT. '04	5150

*MODIFICATION: INSTALL GREEN EMS DISK AT END OF LATERAL

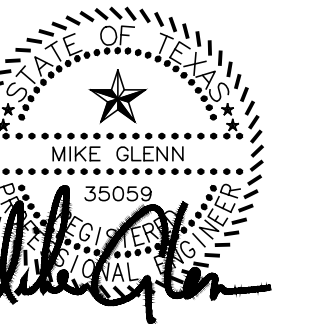
Notes



8 - RFI #40	RAH	CMG	2020.05.13
7 - RFI #79 - PC 20 - REV	RAH	CMG	2020.03.13
6 - RFI #116 AND #117	RAH	CMG	2020.01.13
5 - RFI #20 AND #21	RAH	CMG	2019.07.23
4 - RFI #16	RAH	CMG	2019.07.12
3 - CITY COMMENTS	RAH	CMG	2019.04.30
2 - ASI #1 -CITY COMMENTS	RAH	CMG	2019.04.02
Revision	By	Appd	YYYY.MM.DD

100%CD - For Bidding and Construction	RAH	CMG	2019.03.01
Issued	By	Appd	YYYY.MM.DD

Permit-Seal



The seal appearing on this document was authorized by Mike Glenn, P.E. 35059, on May 13, 2020

Client/Project
Rockwall ISD

Elementary School #15

2911 Greenway Drive
Rockwall, TX 75087

Title
**SANITARY
SEWER DETAILS**

Project No. 214000654 Scale AS SHOWN

Revision Drawing No.



C
05.11A

RECORD DRAWING
THIS IS TO CERTIFY THAT CHANGES AND CORRECTIONS HAVE BEEN MADE TO CONFORM TO THE CONTRACTOR'S RECORD OF THIS PROJECT.

SIGN:

DATE: 06/01/2020

Glenn Engineering Corporation

Plotted: Jun 1, 2020, 2:30 PM by user: phn - Saved: 7/12/2019 by user: robert
R:\ROCKWALL\STONE CREEK ELEM\BIBB\STONE CREEK DETAILS ONLY.dwg