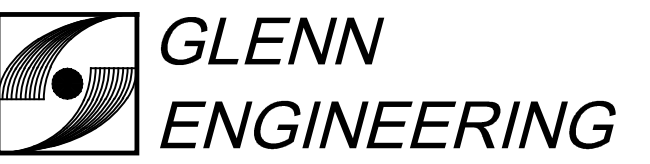


Copyright Reserved

The Contractor shall verify and be responsible for all dimensions. DO NOT scale the drawing - any errors or omissions shall be reported to Stantec without delay.
The Copyrights to all designs and drawings are the property of Stantec. Reproduction or use for any purpose other than that authorized by Stantec is forbidden.

Consultants



T.B.P.E. FIRM REGISTRATION NO. F - 303

PHONE 972-717-5151 FAX 972-717-2176
4500 FULLER DRIVE - SUITE 220 IRVING, TEXAS 75038

Notes



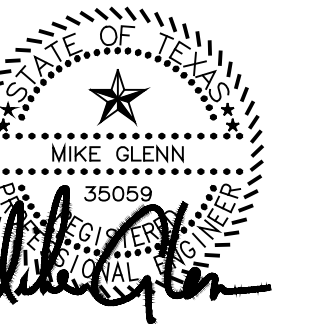
8 - RFI #40	RAH	CMG	2020.05.13
7 - RFI #79 - PC 20 - REV	RAH	CMG	2020.03.13
6 - RFI #116 AND #117	RAH	CMG	2020.01.13
5 - RFI #20 AND #21	RAH	CMG	2019.07.23
4 - RFI #16	RAH	CMG	2019.07.12
3 - CITY COMMENTS	RAH	CMG	2019.04.30
2 - ASI #1 - CITY COMMENTS	RAH	CMG	2019.04.02

Revision By Appd YYYY.MM.DD

100%CD - For Bidding and Construction RAH CMG 2019.03.01

Issued By Appd YYYY.MM.DD

Permit-Seal



The seal appearing on this document was authorized by Mike Glenn, P.E. 35059, on May 13, 2020

Client/Project

Rockwall ISD

Elementary School #15

2911 Greenway Drive
Rockwall, TX 75087

Title
**CITY PAVING
DETAILS**

Project No.
214000654

Scale
AS SHOWN

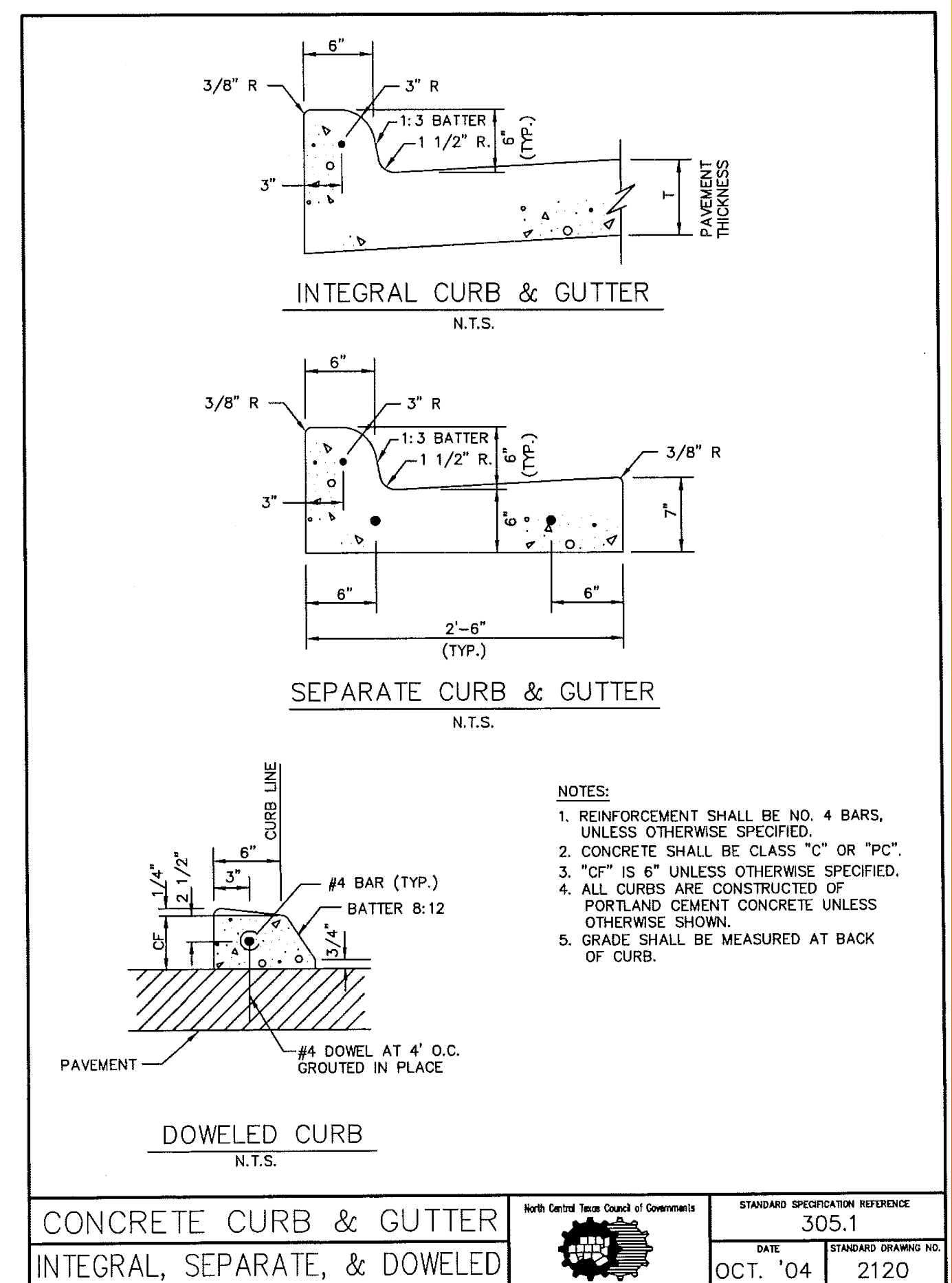
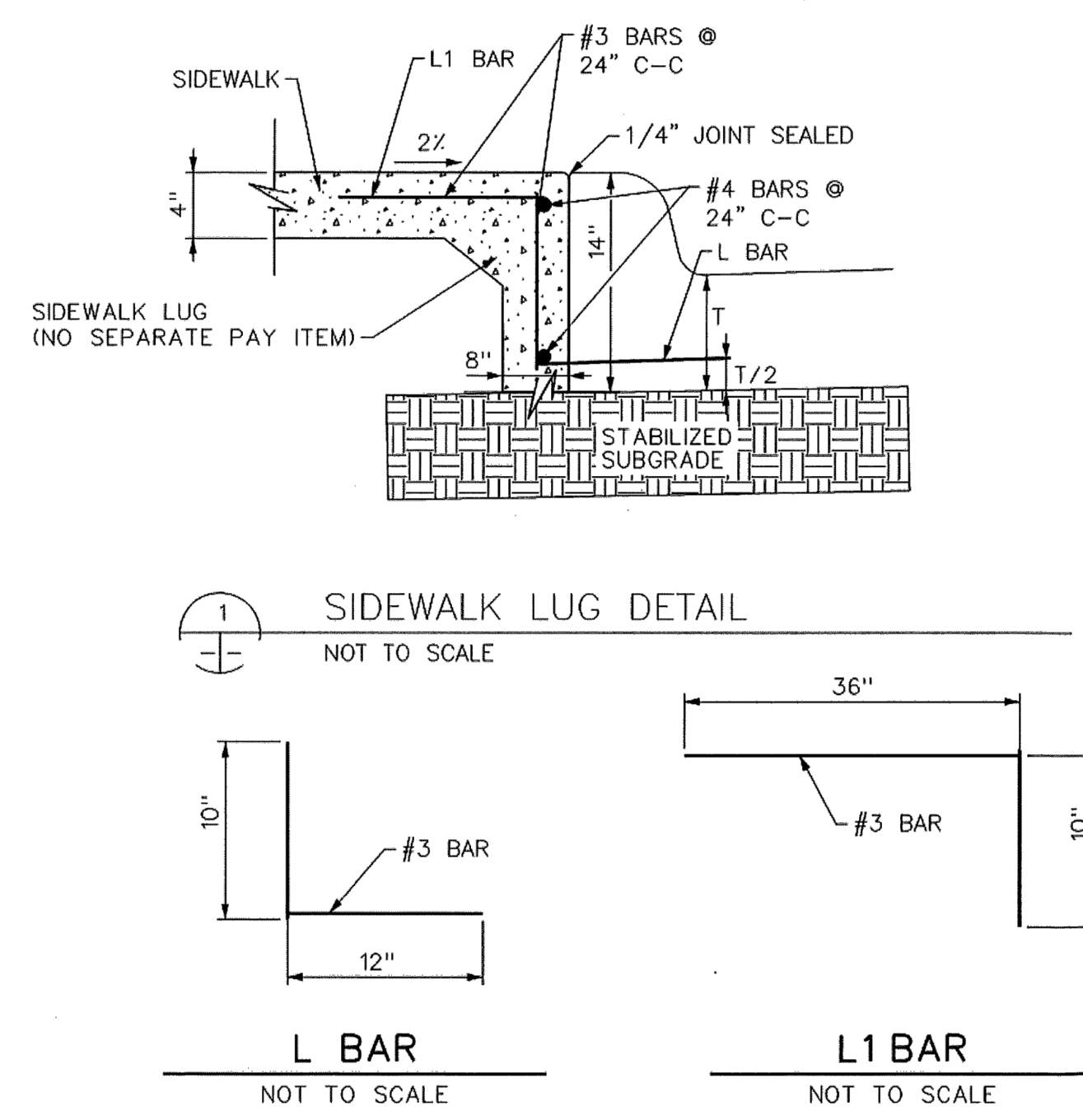
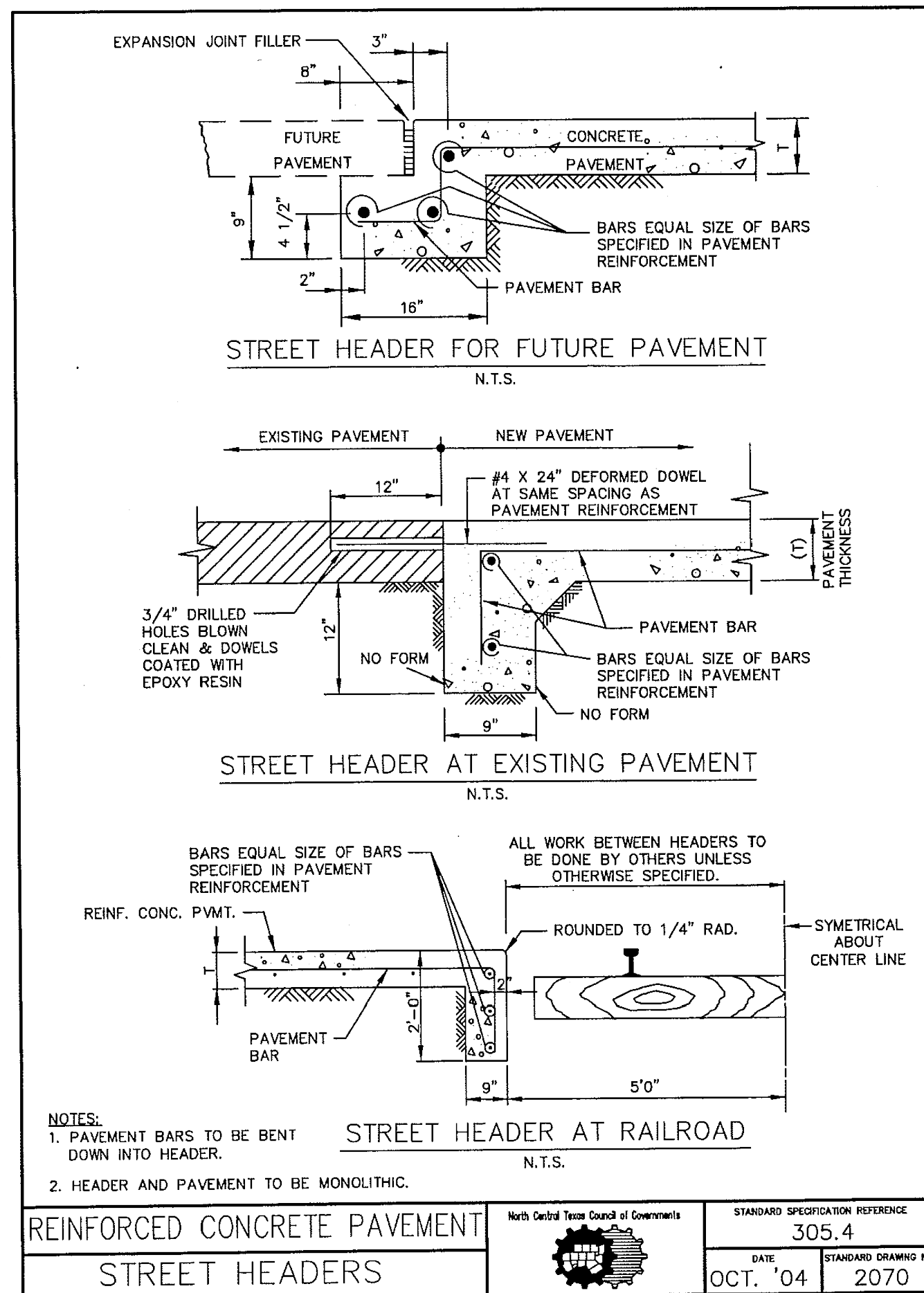
Revision

Drawing No.



C

06.03



RECORD DRAWING
THIS IS TO CERTIFY THAT CHANGES AND CORRECTIONS HAVE BEEN MADE TO CONFORM TO THE CONTRACTOR'S RECORD OF THIS PROJECT.

SIGN: *Cheryl Amigo*

DATE: 06/01/2020

Glenn Engineering Corporation

NCTCOG DETAILS HAVE BEEN MODIFIED BY THE CITY OF ROCKWALL. SEE NOTES DESIGNATED *MODIFICATIONS FOR THOSE REVISED.

Plotted: Jun 1, 2020, 2:35 PM by user: jphn - Saved: 7/12/2019 by user: jphn
R:\ROCKWALL\STONE CREEK ELEM\BID\STONE CREEK DETAILS ONLY.dwg