

Copyright Reserved

The Contractor shall verify and be responsible for all dimensions. DO NOT scale the drawing - any errors or omissions shall be reported to Stantec without delay. The Copyrights to all designs and drawings are the property of Stantec. Reproduction or use for any purpose other than that authorized by Stantec is forbidden.

Consultants



PHONE 972-717-5151 FAX 972-717-2178  
4500 FULLER DRIVE - SUITE 220 IRVING, TEXAS 75038

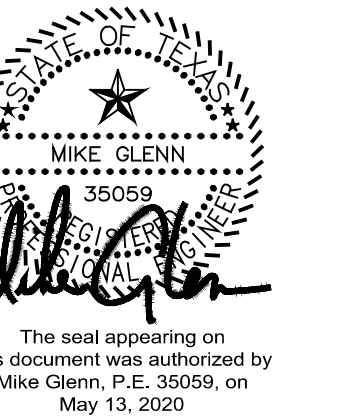
Notes



8 - RH #40	RAH	CMG	2020.05.13
7 - RH #79 - PC 20 - REV	RAH	CMG	2020.03.13
6 - RH #116 AND #117	RAH	CMG	2020.01.13
5 - RH #20 AND #21	RAH	CMG	2019.07.23
4 - RH #16	RAH	CMG	2019.07.12
3 - CITY COMMENTS	RAH	CMG	2019.04.30
2 - ASI #1 - CITY COMMENTS	RAH	CMG	2019.04.02
Revision	By	Appd	YYYY.MM.DD

100%CD - For Bidding and Construction	RAH	CMG	2019.03.01
Issued	By	Appd	YYYY.MM.DD

Permit-Seal



Client/Project  
Rockwall ISD

Elementary School #15

2911 Greenway Drive  
Rockwall, TX 75087

Title

**PAVING DETAILS 1**

Project No.

214000654

Revision

AS SHOWN

Scale

AS SHOWN

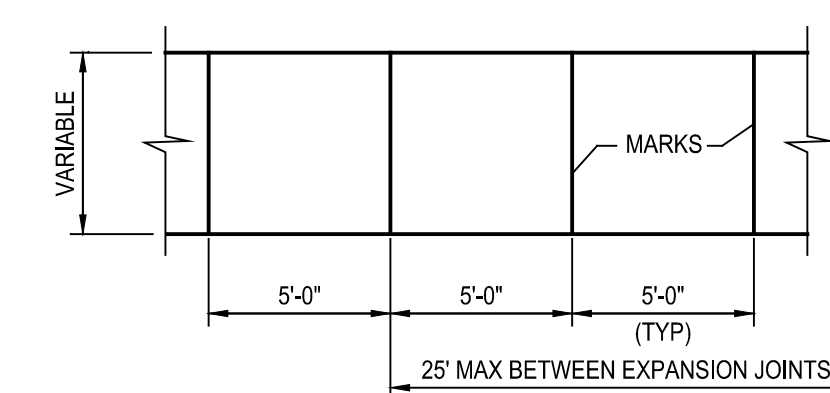
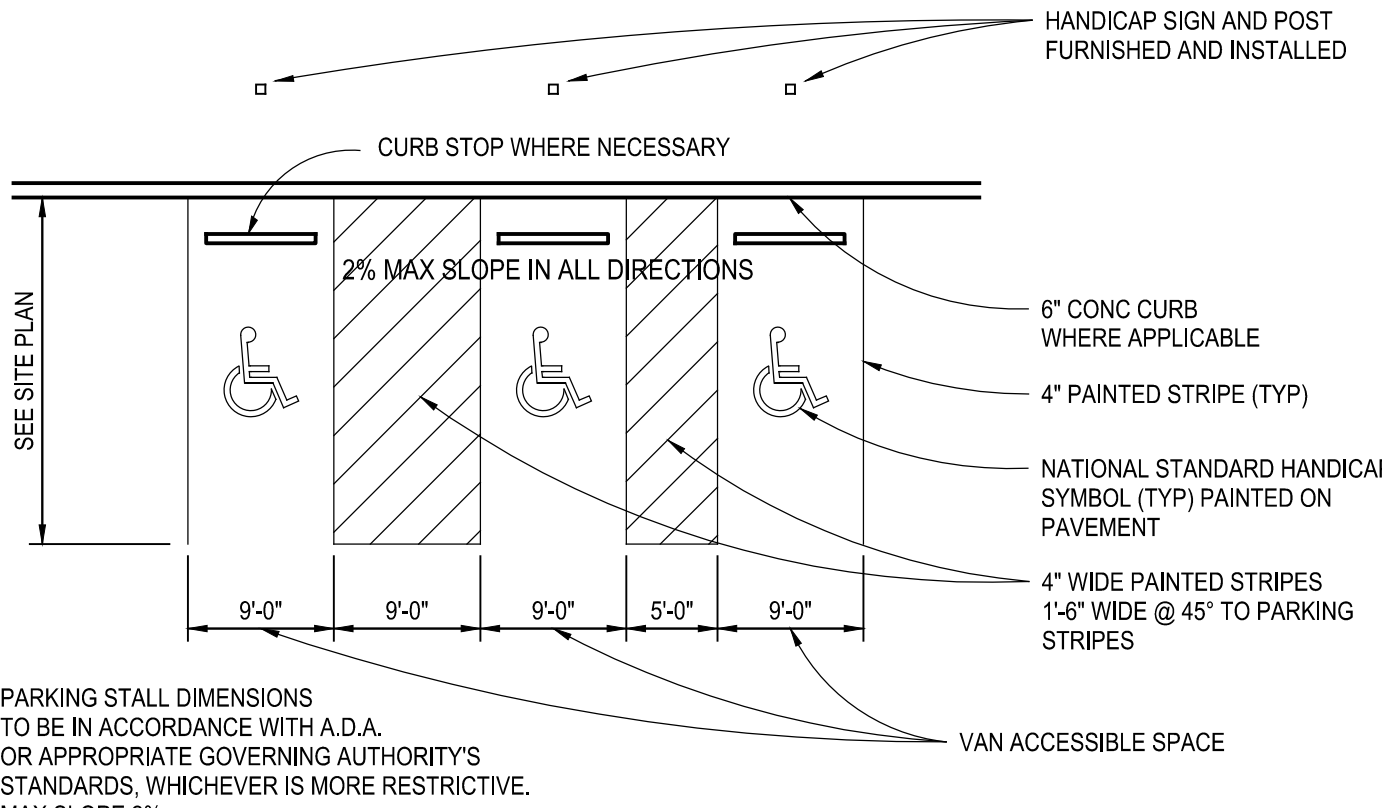
Drawing No.

8

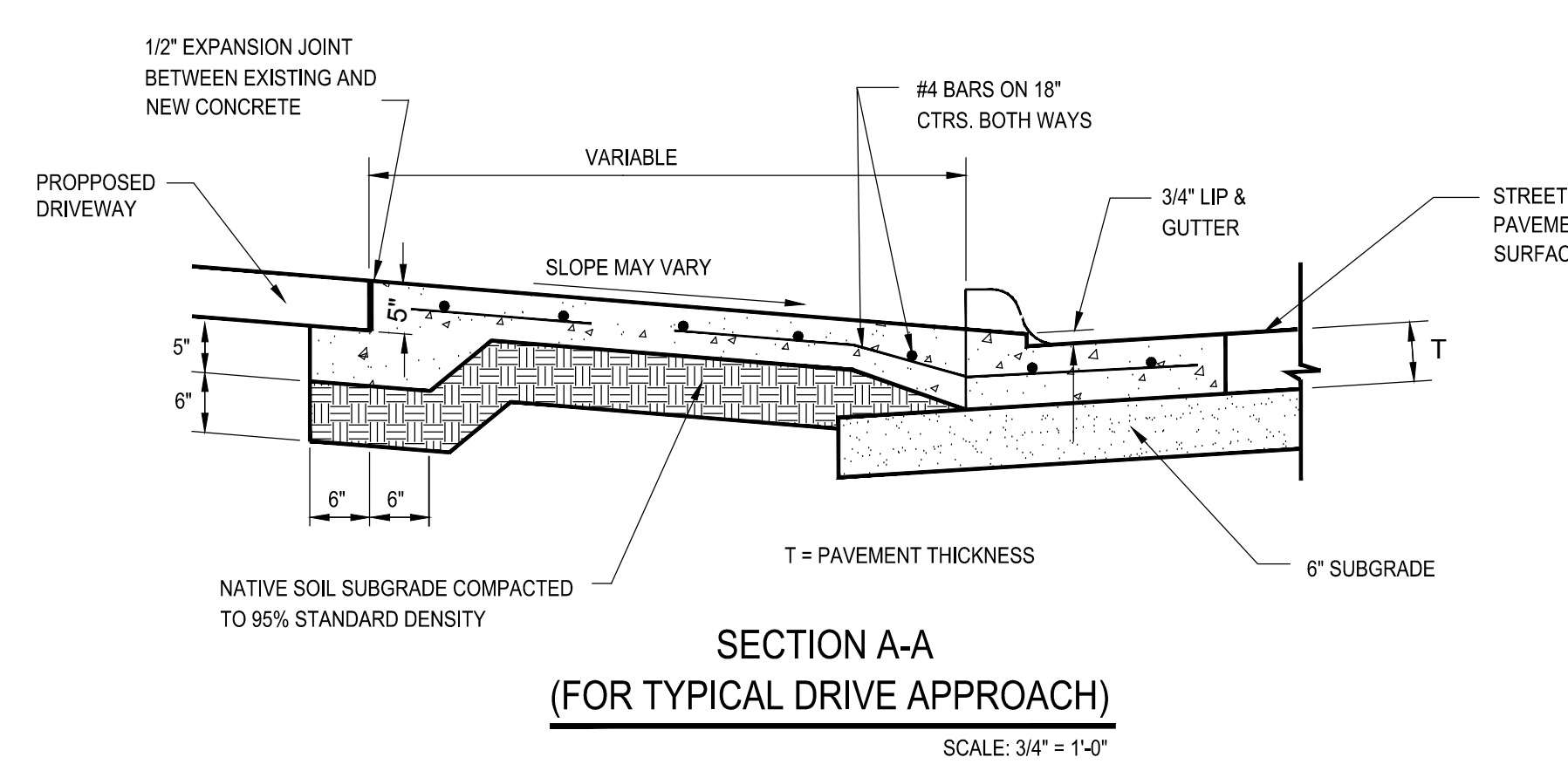
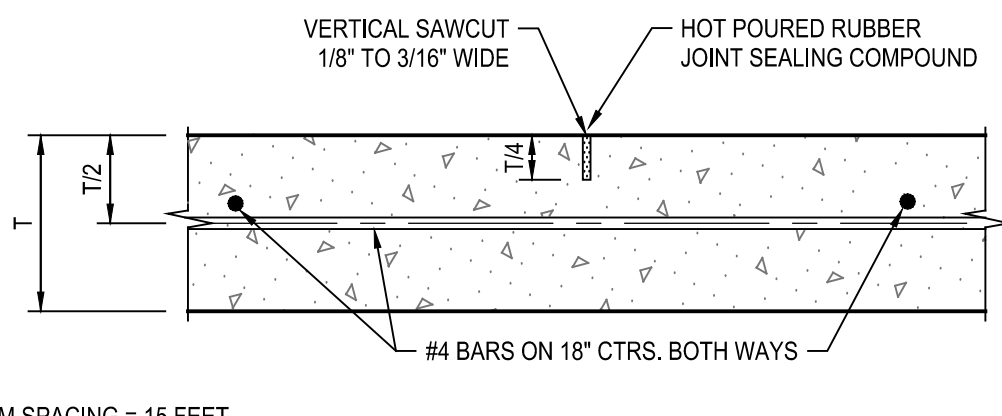
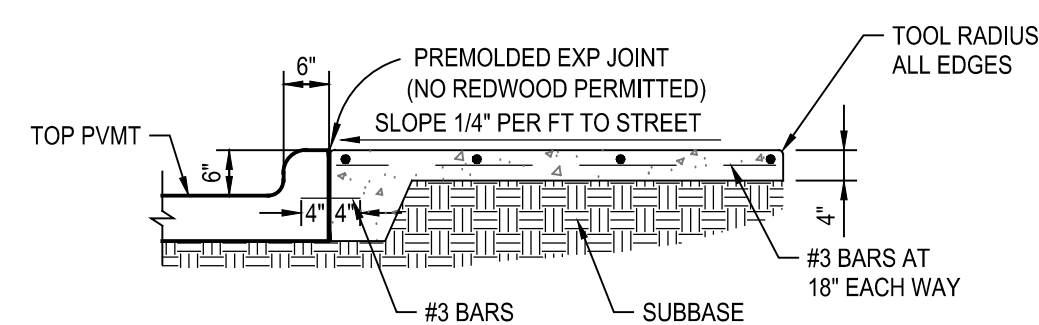
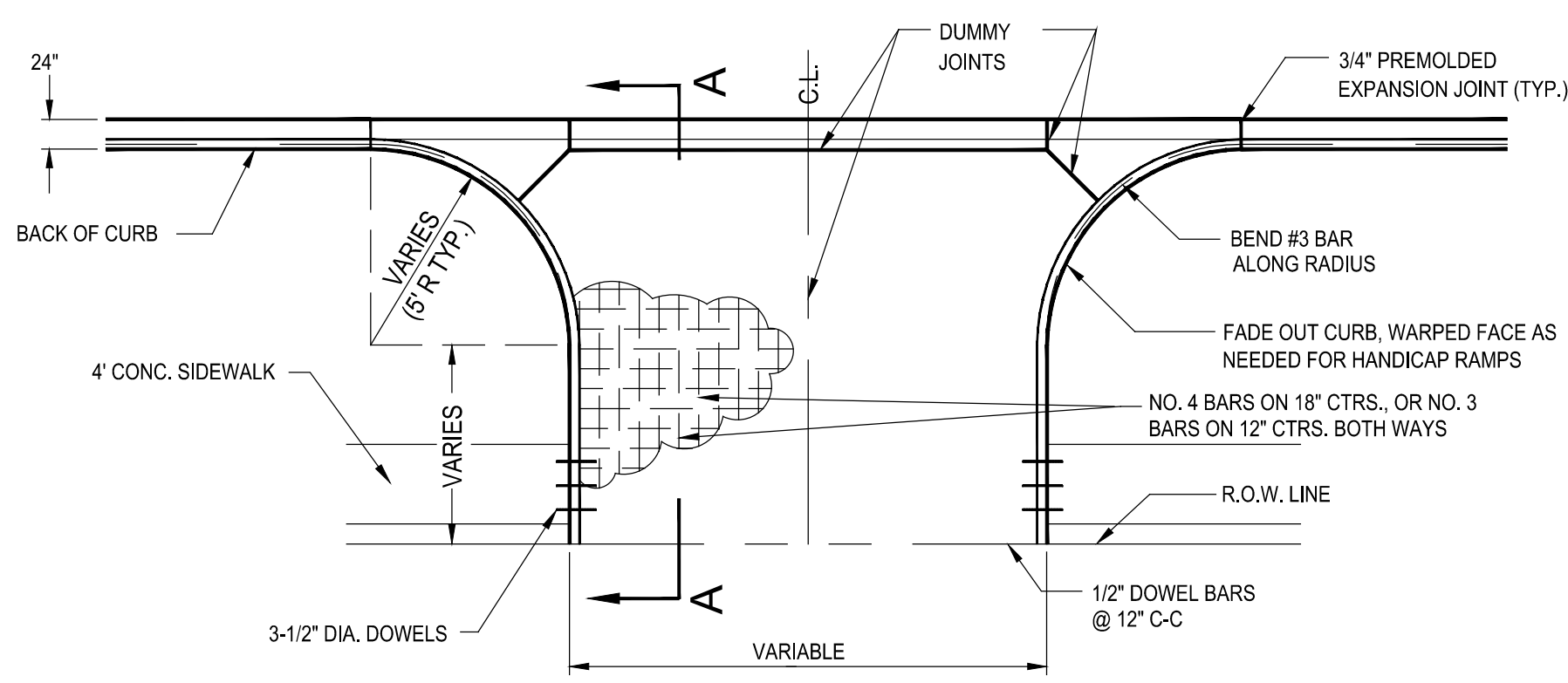
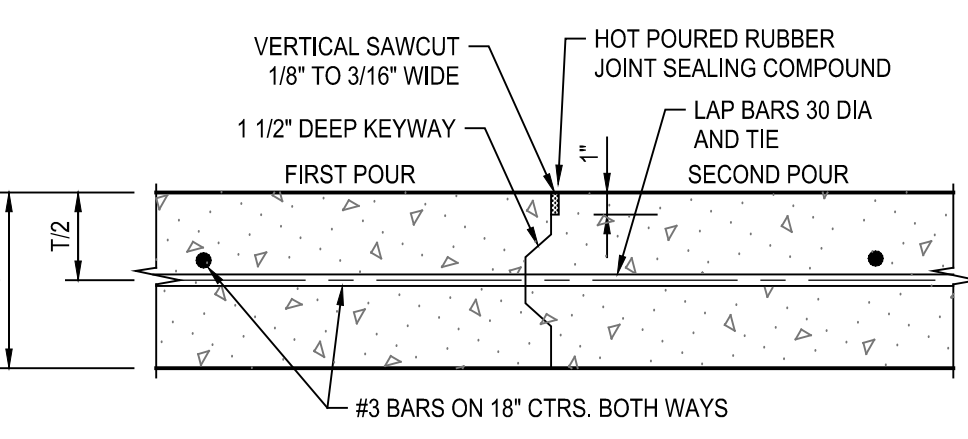
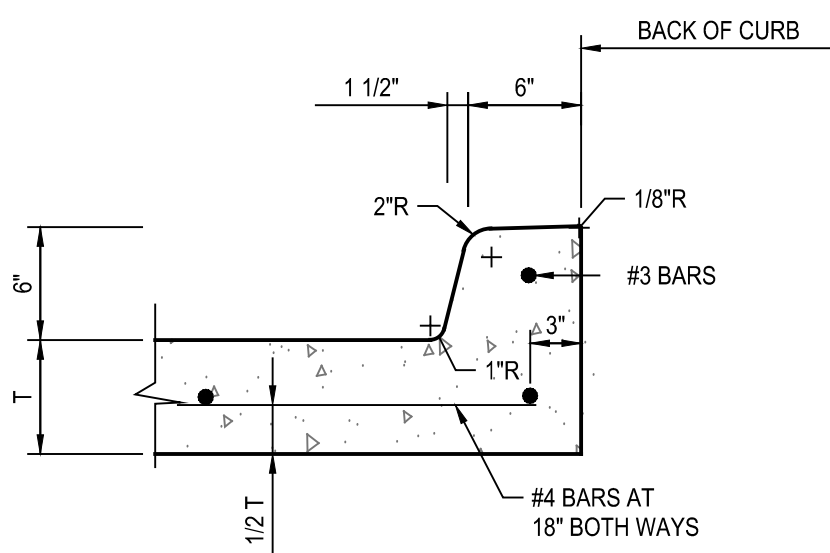
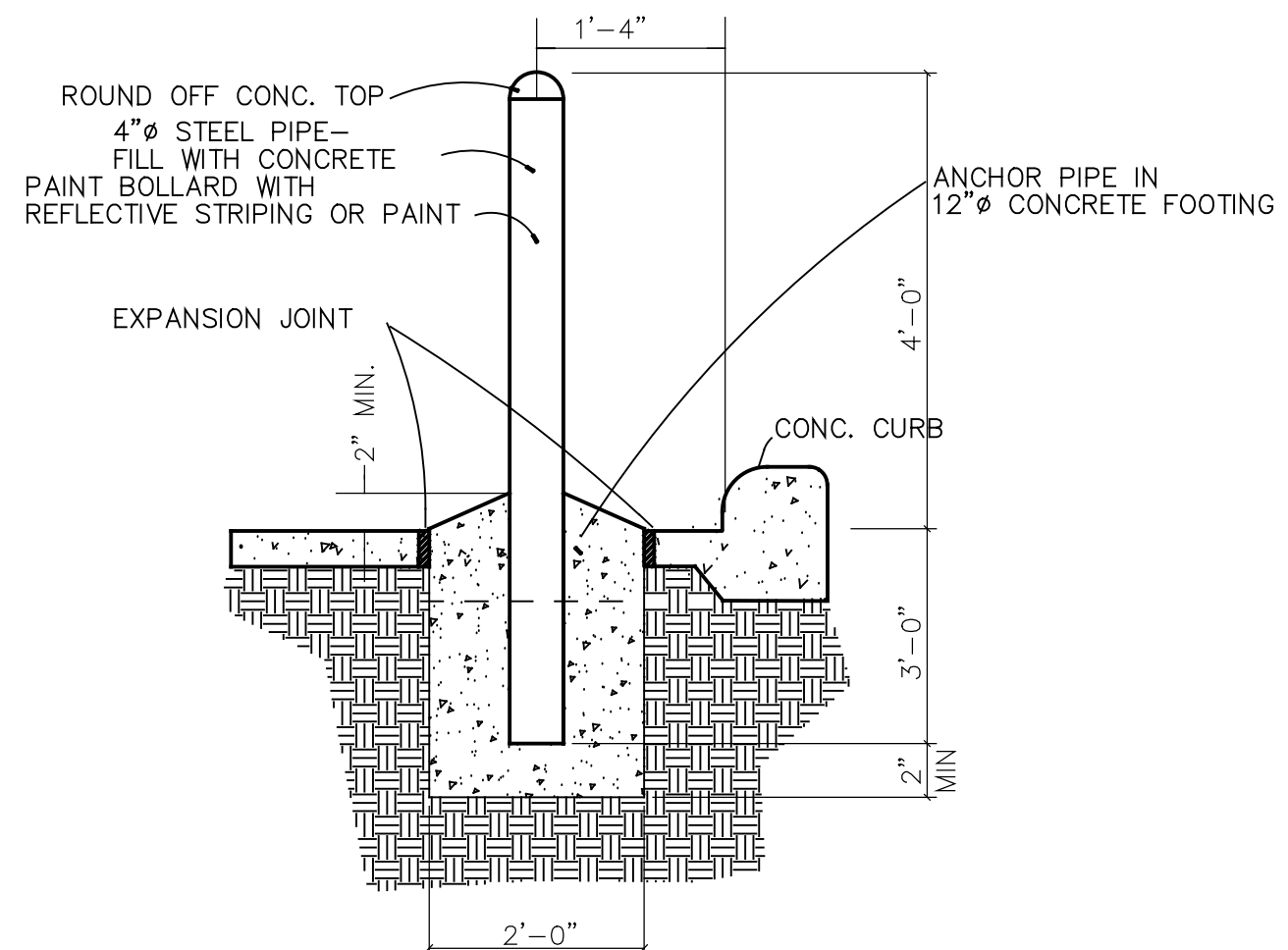
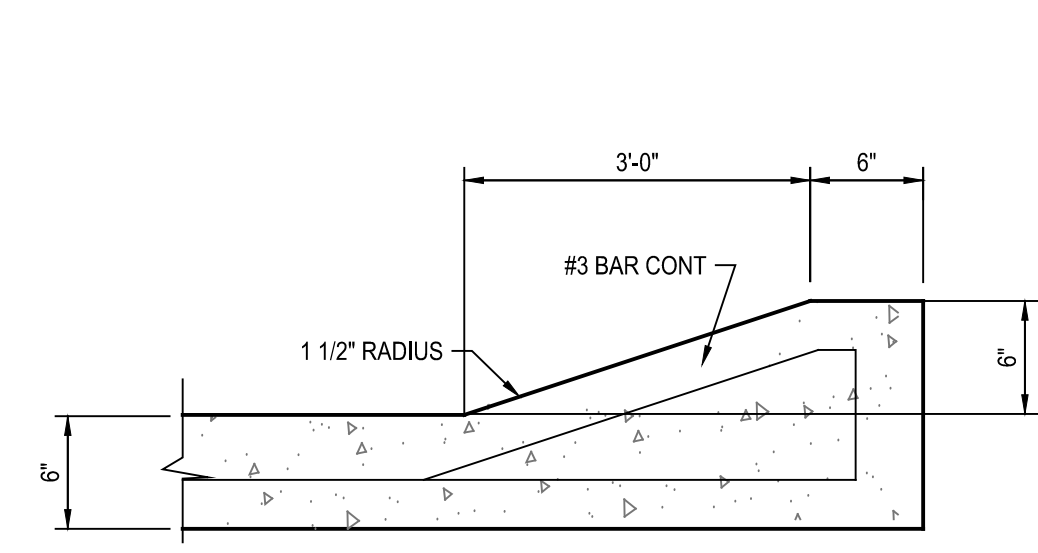
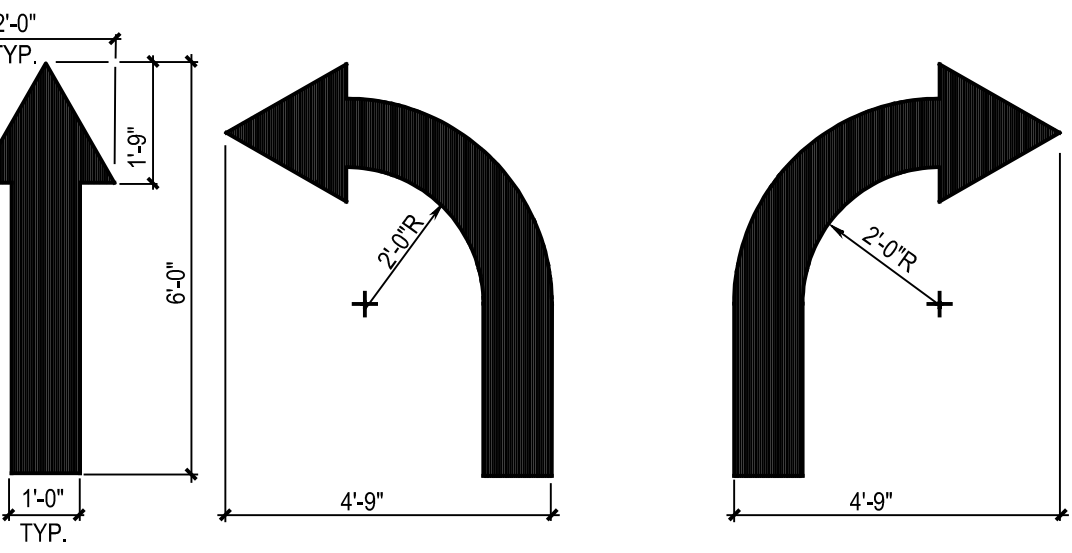
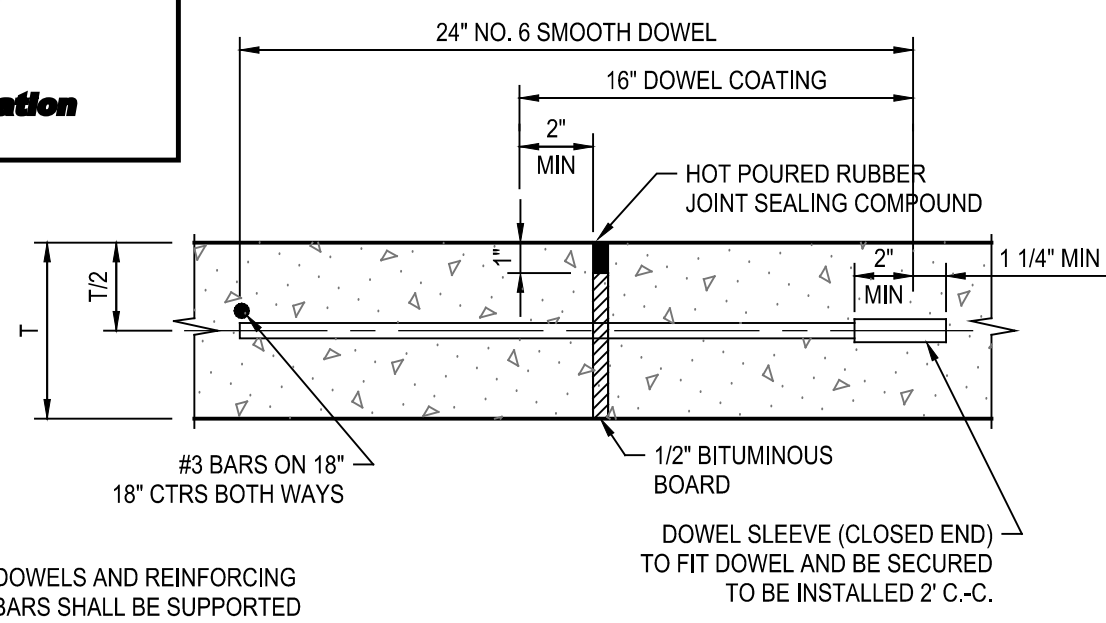
C

06.01

RECORD DRAWING  
THIS IS TO CERTIFY THAT CHANGES AND CORRECTIONS HAVE BEEN MADE TO CONFORM TO THE CONTRACTOR'S RECORD OF THIS PROJECT.  
SIGN: *Cheryl Annis*  
DATE: 06/01/2020  
**Glenn Engineering Corporation**



- NOTES:
- AT MARKINGS THE CONCRETE SHALL BE A TOOLED JOINT 3/4" DEEP, FOLLOWED BY GROOVING TOOL. STRENGTH SHALL BE 3000 p.s.i. WITH #3 BARS @ 18" O.C.
  - SIDEWALKS ADJACENT TO BUILDING TO BE PLACED ON LIME TREATED SUBGRADE THE SAME AS PAVING ALL OTHER SIDEWALKS TO BE PLACED OVER 1" MAX COMPACTED SAND. (P1 < 15)



City of Rockwall

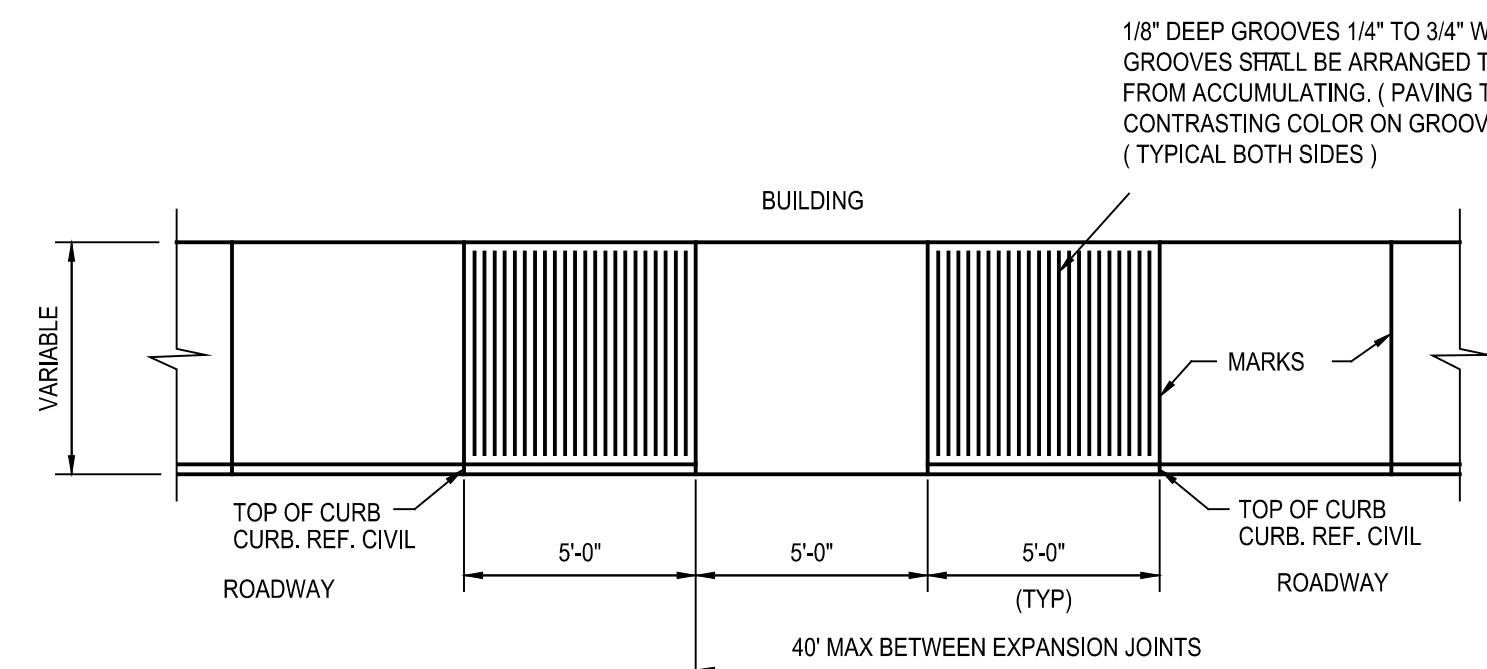
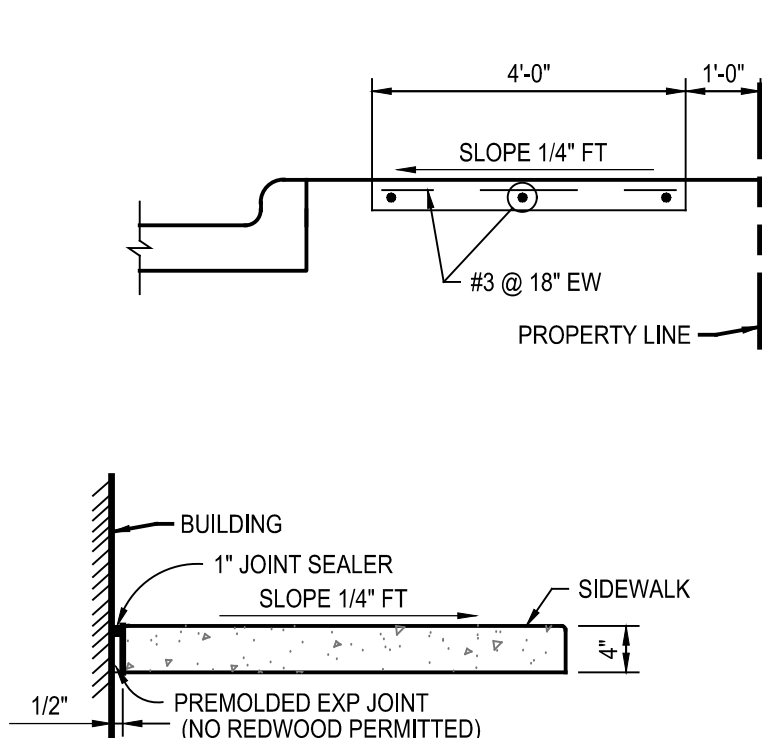
**LONGITUDINAL BUTT JOINT**  
NOT TO SCALE

NOTES: T = PAVEMENT

- LONGITUDINAL BUTT CONSTRUCTION MAY BE UTILIZED IN PLACE OF LONGITUDINAL HINGED (KEYWAY) JOINT AT CONTRACTORS OPTION.
- DOWEL BARS SHALL BE DRILLED INTO PAVEMENT HORIZONTALLY BY USE OF A MECHANICAL RIG.

DRILLING BY HAND IS NOT ACCEPTABLE, PUSHING DOWEL BARS INTO GREEN CONCRETE NOT ACCEPTABLE.

REINFORCED CONCRETE PAVEMENT	CITY OF ROCKWALL
LONGITUDINAL BUTT JOINT	DATE: AUG. '15 DRAWING NO: R-2051



- NOTES:
- AT MARKINGS THE CONCRETE SHALL BE A TOOLED JOINT 3/4" DEEP, FOLLOWED BY GROOVING TOOL. STRENGTH SHALL BE 3600 p.s.i. WITH #3 BARS @ 18" O.C.
  - SIDEWALKS ADJACENT TO BUILDING TO BE PLACED ON LIME TREATED SUBGRADE THE SAME AS PAVING ALL OTHER SIDEWALKS TO BE PLACED OVER 2" COMPACTED SELECT FILL. (P1 < 15)
- \*NO SAND TO BE USED UNDER PUBLIC SIDEWALKS

18" DEEP GROOVES 1/4" TO 3/4" WIDE AT 3/4" TO 2" O.C. GROOVES SHALL BE ARRANGED TO PREVENT WATER FROM ACCUMULATING. (PAVING TO BE STAINED A CONTRASTING COLOR ON GROOVE PATTERN) (TYPICAL BOTH SIDES)

NOTE: ALL ADA REQUIREMENTS SHALL MEET STATE AND FEDERAL STANDARDS.

**PRIVATE PAVING DETAILS**

Plotted: Jun 1, 2020, 2:33 PM by user: john - Saved: 7/12/2019 by user: john  
R:\ROCKWALL\STONE CREEK ELEM\BID\STONE CREEK DETAILS ONLY.dwg