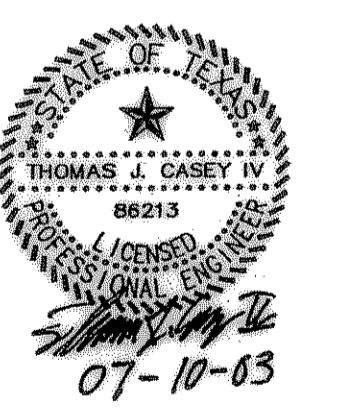


**SPRINGER ELEMENTARY SCHOOL
 ROCKWALL INDEPENDENT SCHOOL DISTRICT
 ROCKWALL, TEXAS**

FINAL PLANS FOR BIDDING AND CONSTRUCTION



SHW Group Inc.
 Architects + Engineers

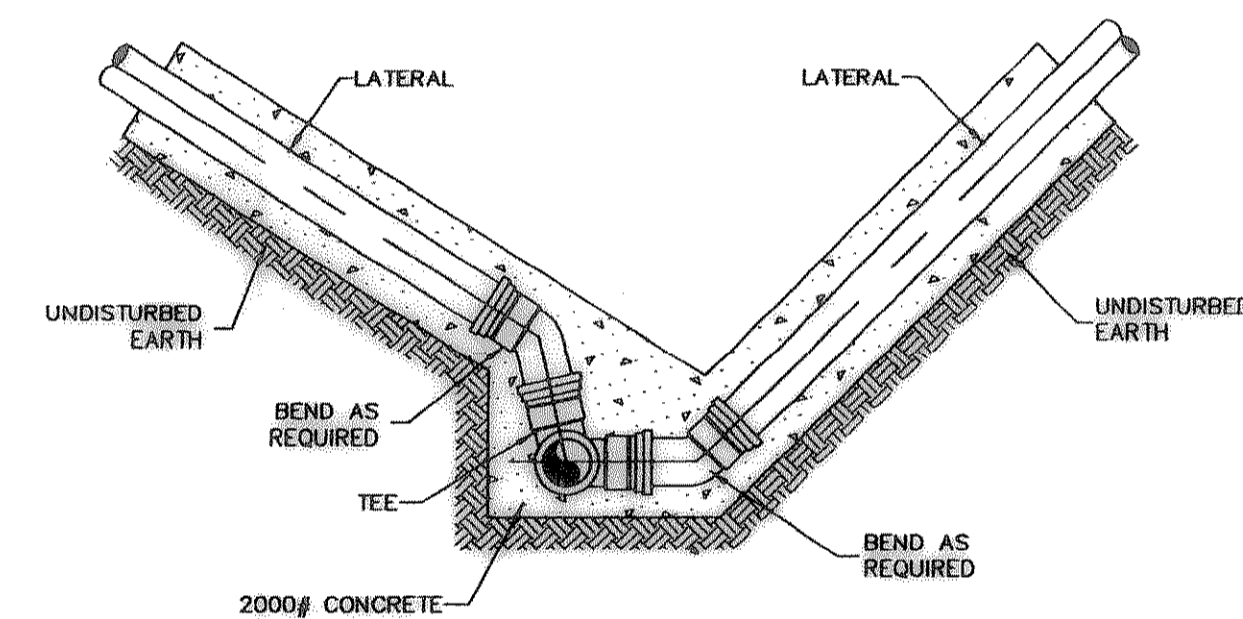
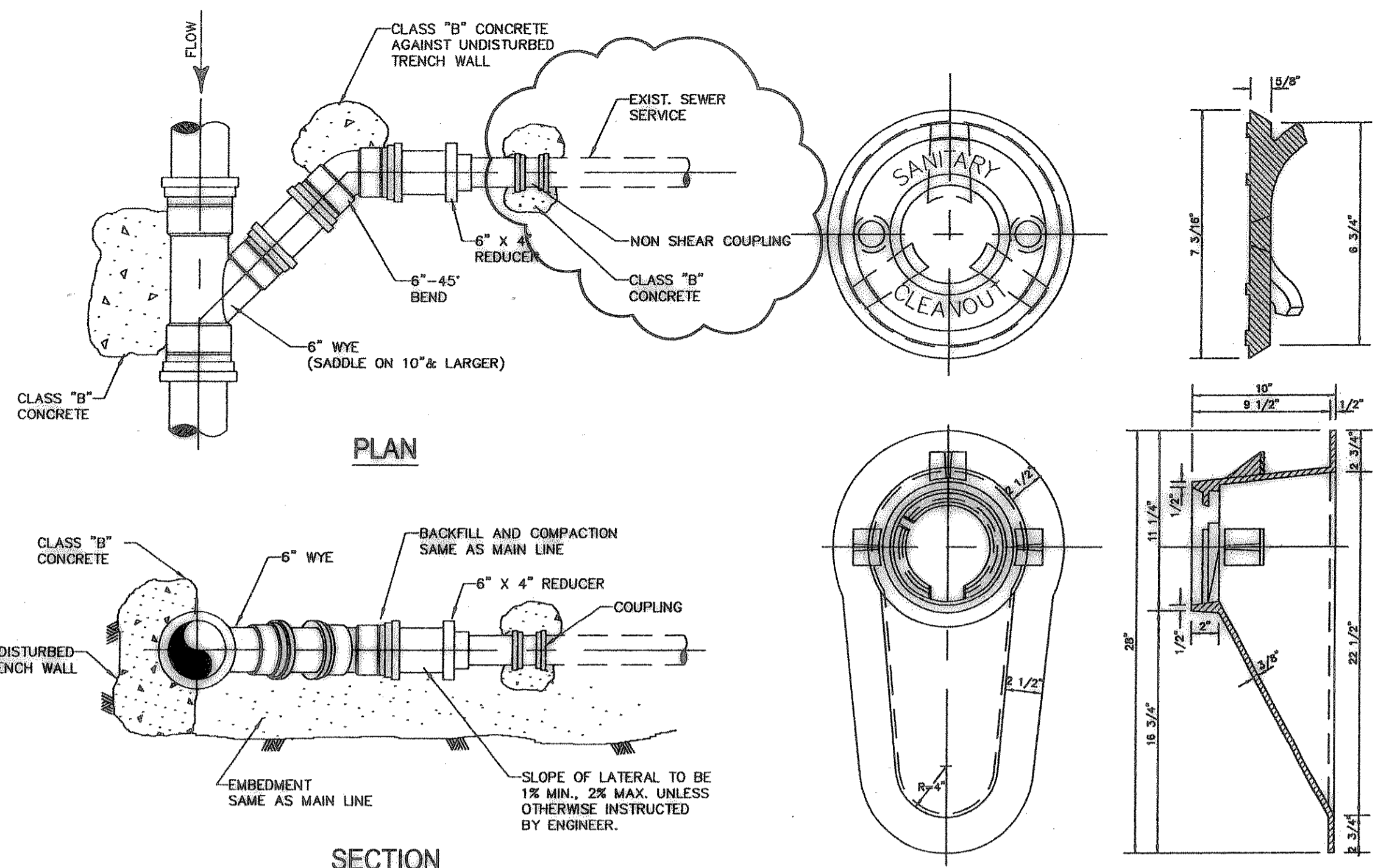
SHEET NUMBER **C 2.27**
 OF
 SET NUMBER

These Drawings have been modified to conform to the Construction Records.
 Glenn Engineering Corporation
 By *[Signature]* Date: 10-15-04

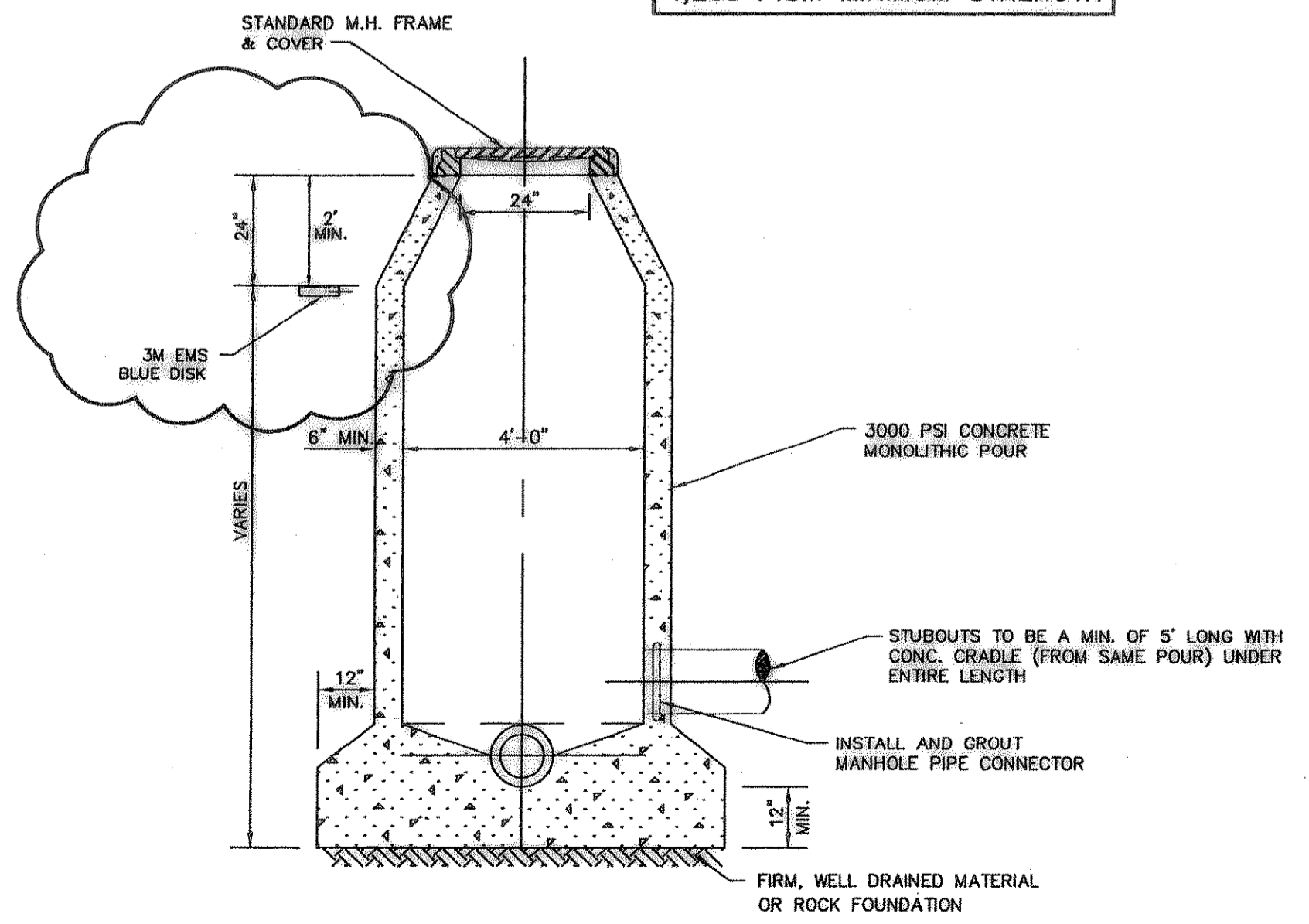
SANITARY SEWER DETAILS
 N.T.S.



PHONE 972-77-8981 FAX 972-77-2076
 105 DECKER COURT - SUITE 910 IRVING, TEXAS 75038



NOTE:
 STRUCTURAL CONCRETE TO BE 4,200 P.S.I. MINIMUM STRENGTH

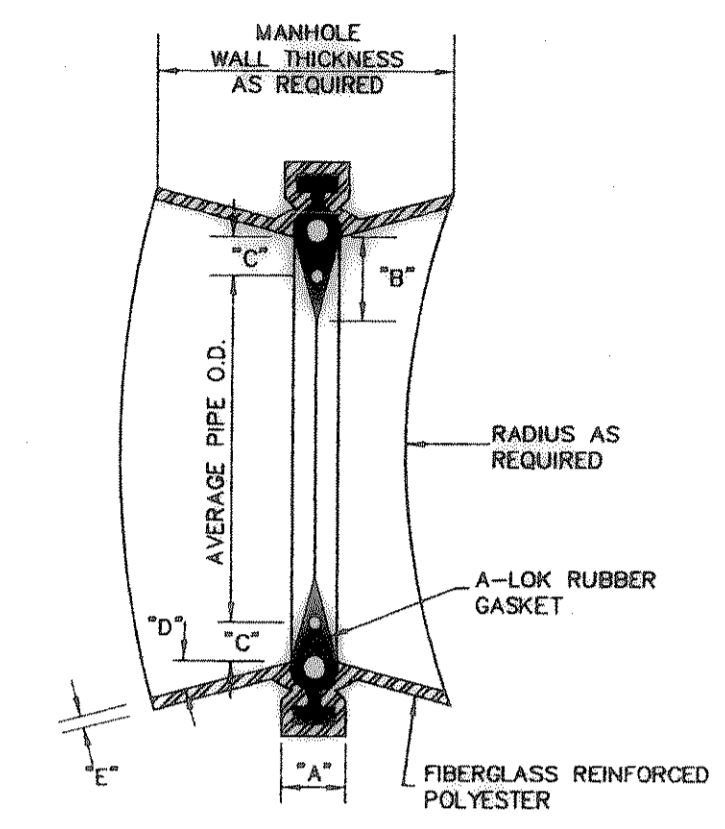


STANDARD CAST-IN-PLACE MANHOLE

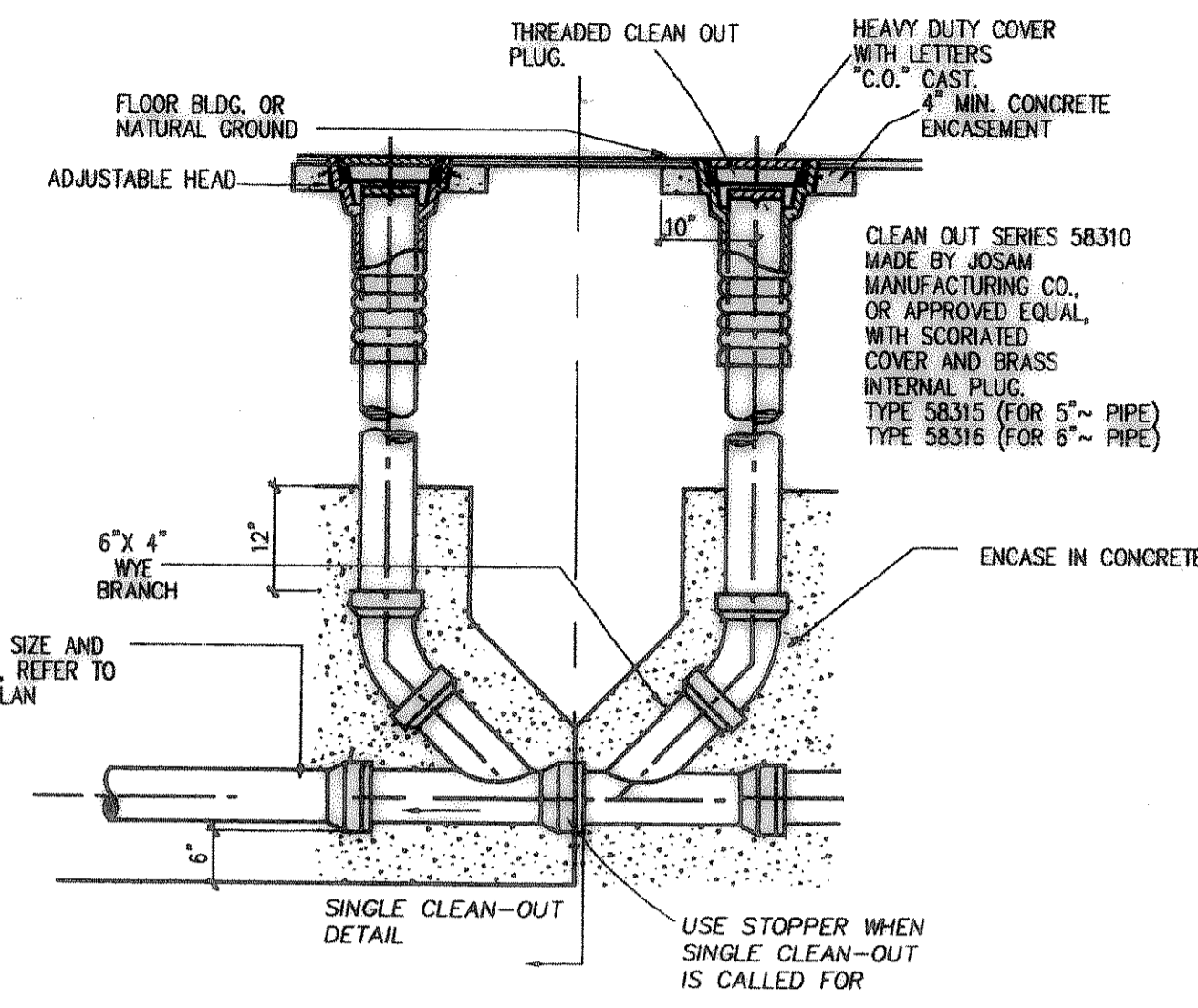
NOTE:
 FOR TYPE "S" MANHOLES USE PRESSURE TYPE MANHOLE FRAME AND COVER. DO NOT USE GRADE RINGS. SET ANCHOR BOLTS DIRECTLY IN MANHOLE CONE.

DIMENSION FOR MANHOLE PIPE CONNECTOR A.S.T.M. 0-923

PIPE SIZE	A	B	C	D	E
4"-6"	1 1/2"	7/8"	3/8"	10"	0.10±
8"-24"	2 1/8"	1 3/8"	5/8"	10"	0.10±
24"-60"	2 3/8"	1 3/4"	3/4"	10"	0.25±



PIPE CONNECTION TO EXISTING MANHOLE AND JUNCTION BOX



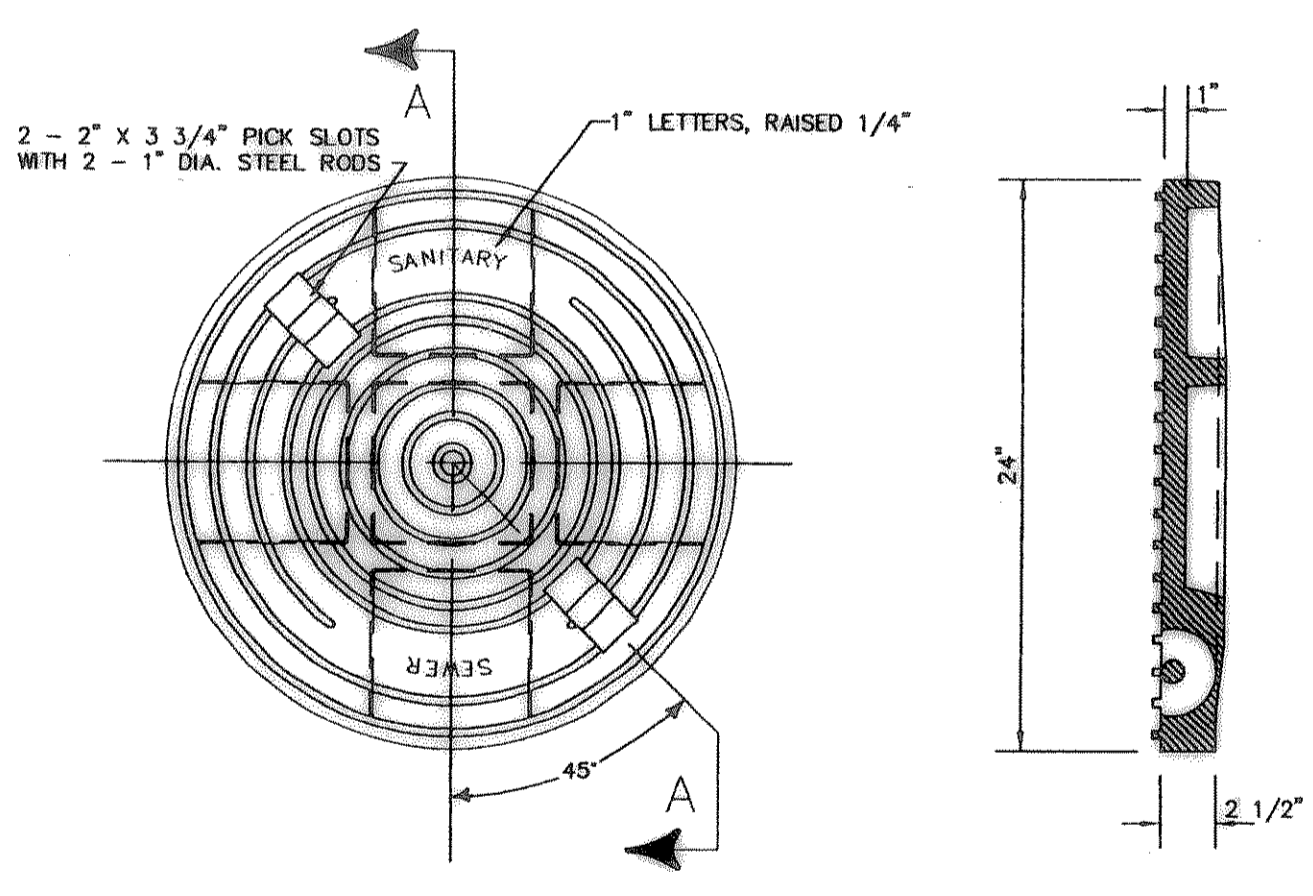
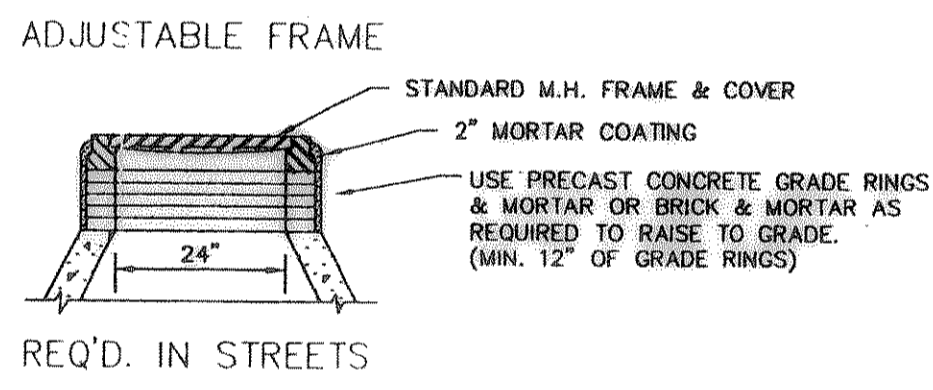
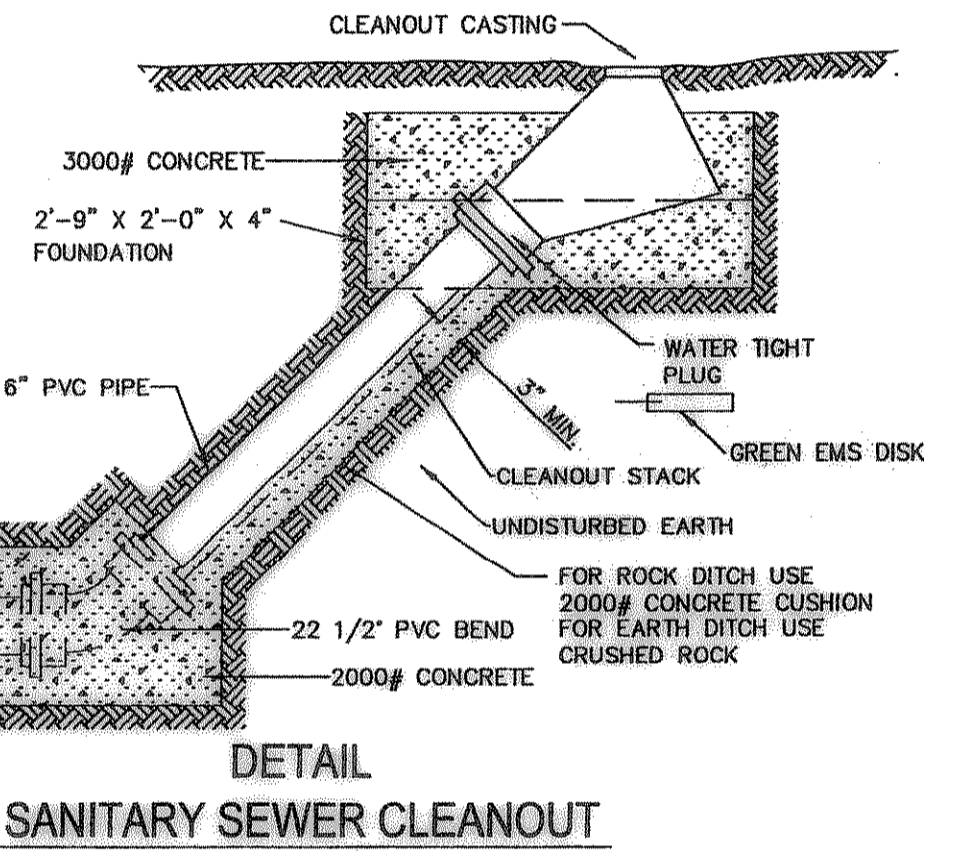
MANHOLE PIPE CONNECTOR

(FOR ALL CAST-IN-PLACE MANHOLES)

PIPE CONNECTION TO EXISTING MANHOLE AND JUNCTION BOX

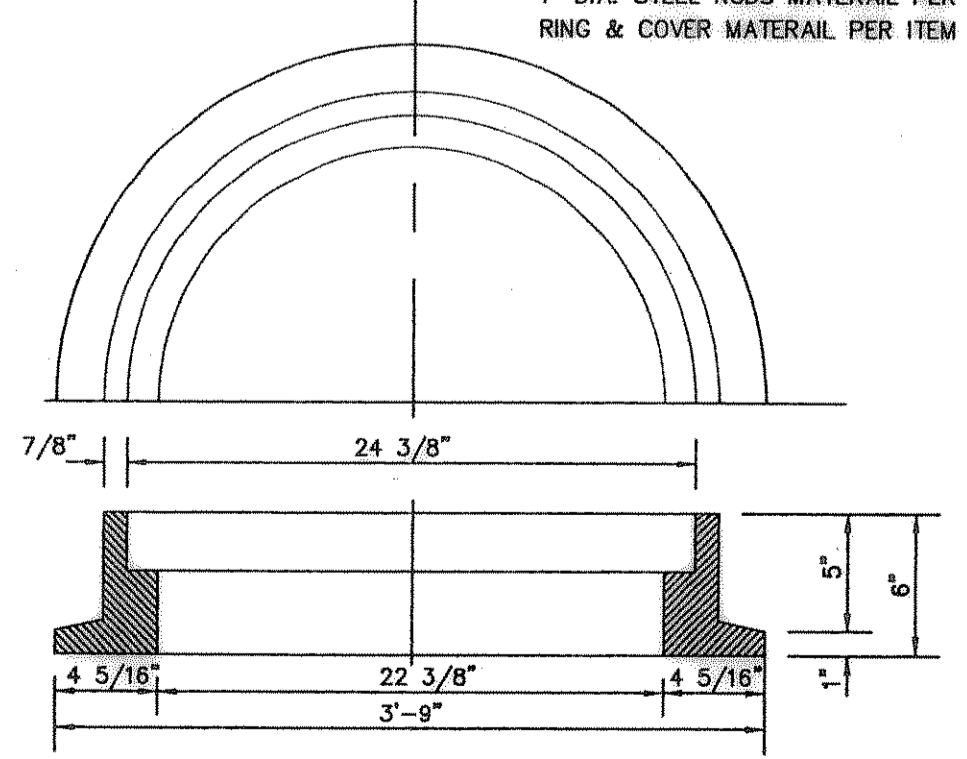
DETAIL SANITARY SEWER SERVICE
 3/4"-1'-0"

CLEANOUT FRAME AND COVER DETAIL



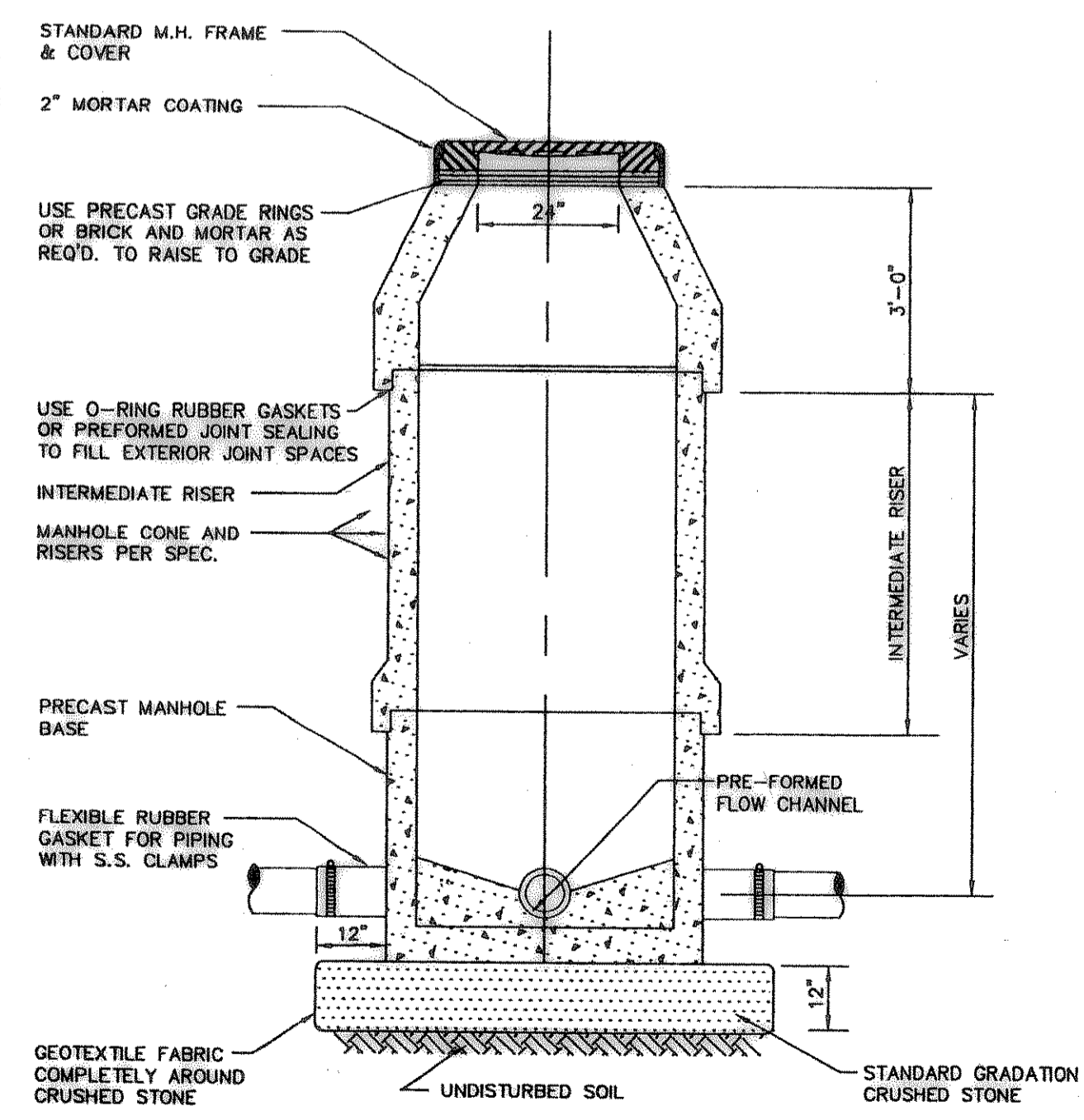
PLAN OF COVER

1" DIA. STEEL RODS MATERIAL PER ITEM 2.11.5 (b) (2)
 RING & COVER MATERIAL PER ITEM 2.11.5 (c)



MANHOLE FRAME & COVER DETAIL

NOTE:
 THE BASS AND HAYES MANHOLE FRAME AND COVER, NO. 380-24P IS ACCEPTABLE.



STANDARD PRECAST MANHOLE

NOTE:
 FOR TYPE "S" MANHOLES USE PRESSURE TYPE MANHOLE FRAME AND COVER. DO NOT USE GRADE RINGS. SET ANCHOR BOLTS DIRECTLY IN MANHOLE CONE.