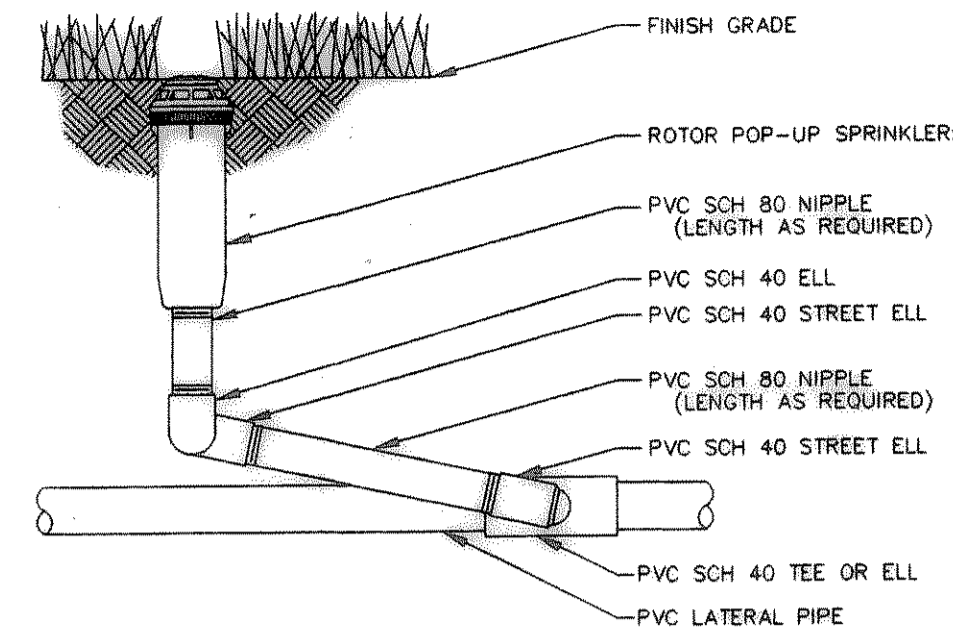
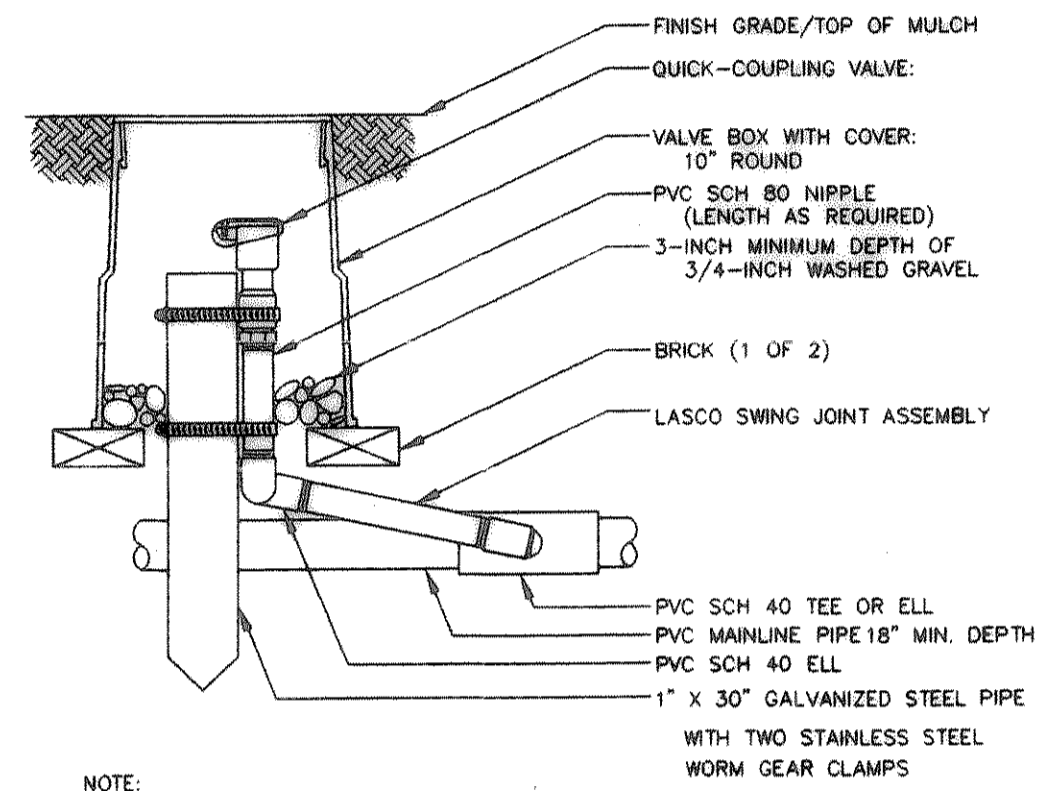


REMOTE CONTROL VALVE

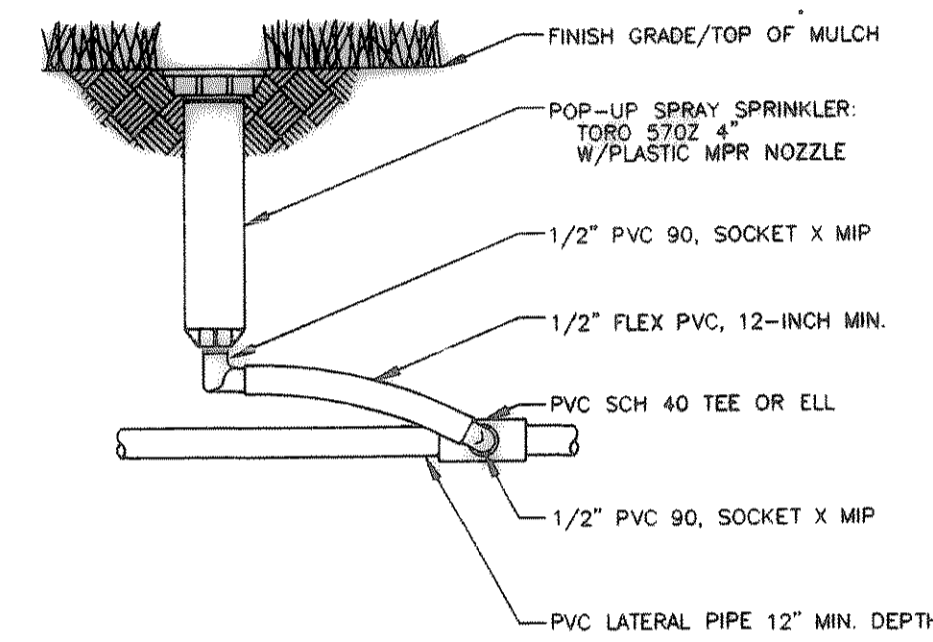


ROTOR POP-UP SPRINKLER

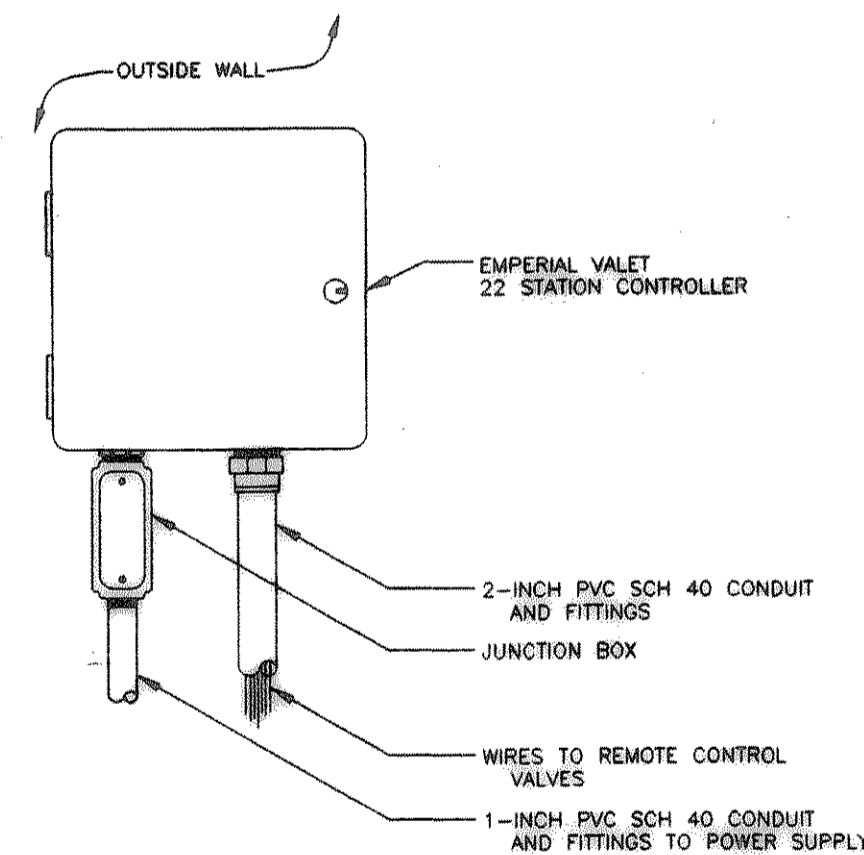


NOTE:
SET Q.C. VALVE AT HEIGHT TO ALLOW USE OF KEY HANDLE ABOVE BOX

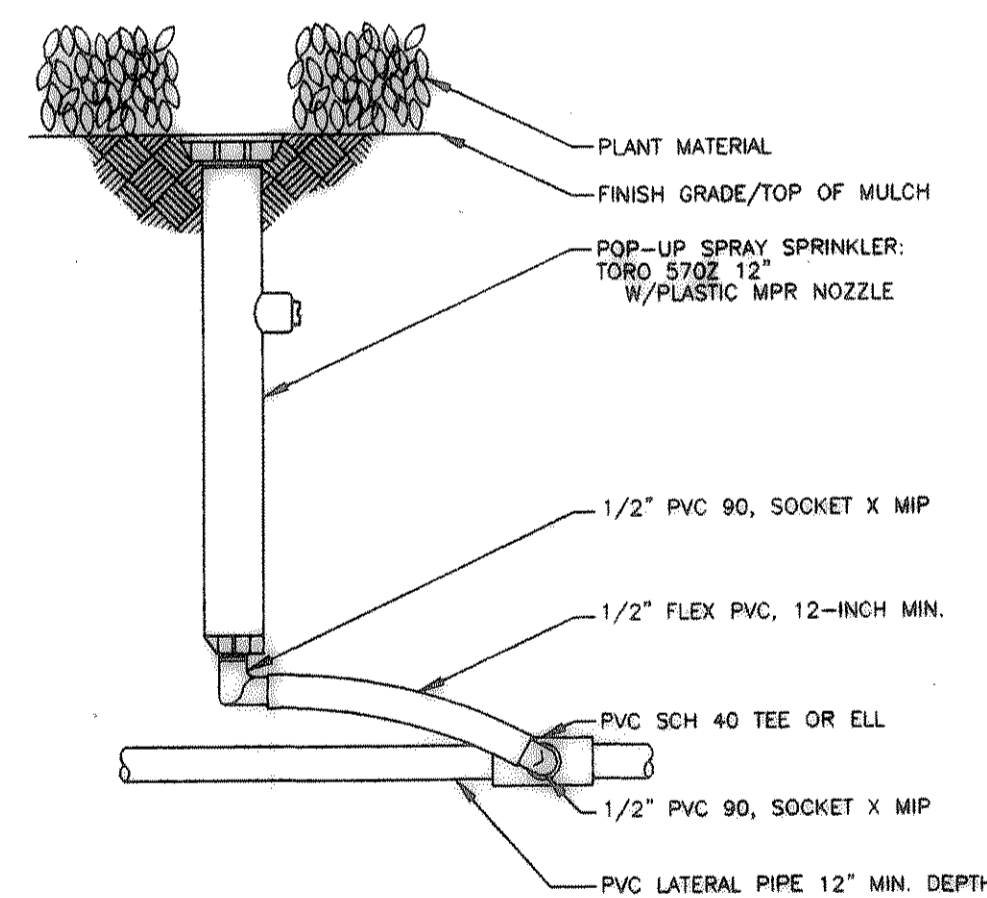
QUICK COUPLING VALVE



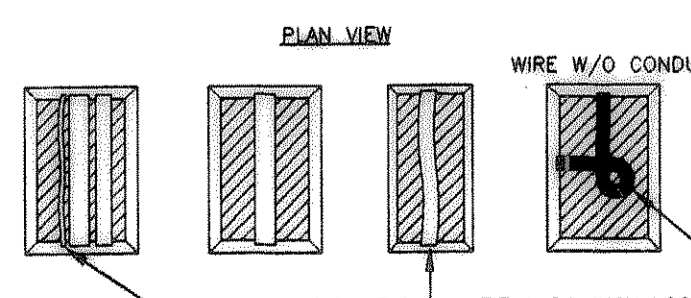
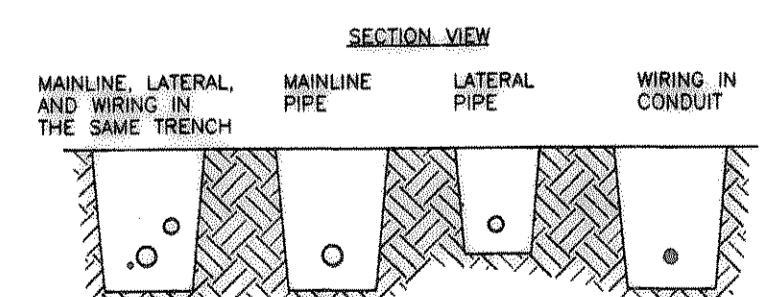
POP-UP SPRAY HEAD



CONTROLLER

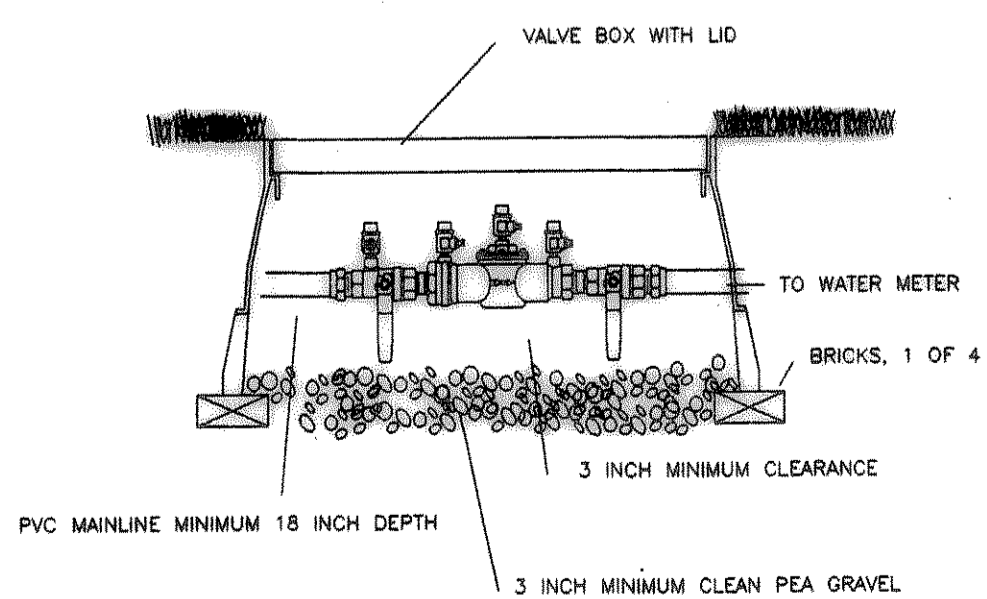


HIGH POP-UP SPRAY HEAD

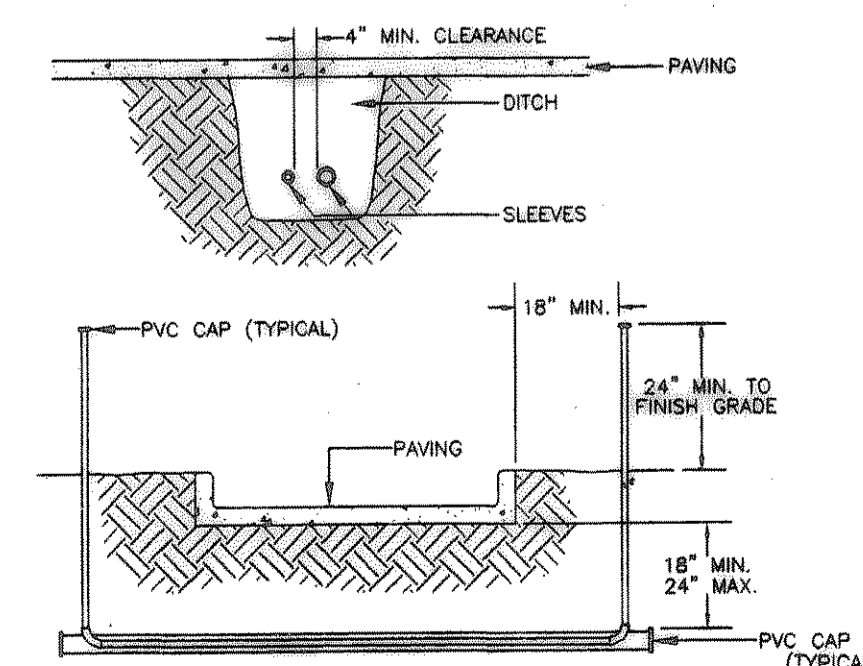


NOTES:
1. SLEEVE BELOW ALL HARDSCAPE ELEMENTS WITH CLASS 200 PVC TWICE THE DIAMETER OF THE PIPE OR WIRE BUNDLE WITHIN.
2. FOR PIPE AND WIRE BURIAL DEPTHS SEE SPECIFICATIONS.

TRENCH DETAIL



BACKFLOW PREVENTOR



NOTES:
1. ALL PVC IRRIGATION SLEEVES TO BE CLASS 200 PIPE
2. ALL JOINTS TO BE SOLVENT WELDED AND WATER TIGHT.
3. WHERE THERE IS MORE THAN ONE SLEEVE, EXTEND THE SMALLER SLEEVE TO 24-INCHES MINIMUM ABOVE FINISH GRADE.
4. MECHANICALLY TAMP TO 95% PROCTOR.

SLEEVING

LEGEND	
●	TORO 570 Z 4" POP UP SPRAY HEAD
○	TORO 570 Z 12" HIGH POP UP SPRAY HEAD
●	HUNTER POP 4" POP UP ROTARY HEAD, PART CIRCLE
○	HUNTER POP 4" POP UP ROTARY HEAD, FULL CIRCLE
■	TORO 570 SERIES PRESSURE COMPENSATING FLOOD BUBBLER NOZZLE 1.0 GPM
⊕	RICHDEL 200B SERIES ELECTRIC REMOTE CONTROL VALVE
⊕	GATE VALVE - NIBCO T-113
▲	TORO 3/4" QUICK COUPLER W/ SWING JOINT, IN 10" VALVE BOX
—	FEBCO 805BY 2" D.C.A. INSTALLED PER CITY CODE
□	TWO-SL-30-INM CONTROLLERS, ONE CONTROLLER TO HAVE XVTTEL-G-SL (MODEM) W/ ONE VHDIN HARDWIRE CONVERTER SET FOR MODEM. EACH CONTROLLER TO RECEIVE XVREMOTE-RX. PROVIDE ONE VREMOTE-TX TOTAL. GLEN HILTON RAIN AND FREEZE SENSORS FOR EACH CONTROLLER.
—	CLASS 200 PVC MAINLINE PIPE, 2 1/2" UNLESS NOTED OTHERWISE
—	CLASS 200 (EXCEPT 1/2 INCH #915) PVC LATERAL PIPE
—	CLASS 200 SLEEVE PIPES, 4" & 2" UNLESS NOTED OTHERWISE

INSTALLATION NOTES

- COORDINATE IRRIGATION INSTALLATION WITH PLANTING PLAN AND SITE CONDITIONS TO PROVIDE COMPLETE COVERAGE WITH MINIMUM OVERSPRAY. THE IRRIGATION CONTRACTOR SHALL MAKE MINOR ADJUSTMENTS TO ENSURE PROPER COVERAGE AT NO ADDITIONAL COST TO THE OWNER.
- CONFIRM STATIC WATER PRESSURE OF 65 PSI AT LEAST 7 DAYS BEFORE BEGINNING WORK. IF STATIC WATER PRESSURE IS LESS THAN STATED ABOVE, DO NOT PROCEED UNTIL DIRECTED SO BY THE LANDSCAPE ARCH.
- THE IRRIGATION CONTRACTOR WILL SECURE ALL REQUIRED PERMITS AND PAY ALL ASSOCIATED FEES UNLESS OTHERWISE NOTED. ALL LOCAL CODES SHALL PREVAIL OVER ANY DISCREPANCIES HEREIN.
- LATERAL PIPE SHALL BE INSTALLED AT A MINIMUM DEPTH OF 12 INCHES. MAINLINE PIPE AND WIRES SHALL BE INSTALLED AT A MINIMUM DEPTH OF 18 INCHES.
- UNSLEEVED PIPES MAY BE SHOWN UNDER PAVEMENT FOR GRAPHIC CLARITY ONLY. INSTALL THESE PIPES IN ADJACENT LANDSCAPED AREAS.
- ELECTRIC POWER SHALL BE PROVIDED WITHIN FIVE FEET OF CONTROLLER LOCATION BY GENERAL CONTRACTOR. I.T.C. TO PROVIDE FINAL HARD-WIRE TO CONTROLLER.
- 24 VOLT VALVE WIRE SHALL BE A MINIMUM OF #14 GAUGE, U.F. APPROVED FOR DIRECT BURIAL, SINGLE CONDUCTOR "IRRIGATION WIRE". WIRE SPLICES SHALL BE ENCASED IN A WATERPROOF COMPOUND OR GEL. (KING 470) ALL FIELD SPLICES SHALL BE LOCATED IN A ROUND VALVE BOX OF SUFFICIENT SIZE TO ALLOW INSPECTION.
- VALVE BOXES SHALL BE INSTALLED FLUSH WITH GRADE, SUPPORTED BY BRICKS IF NEEDED, WITH 3 INCHES OF CLEAN PEA GRAVEL LOCATED BELOW THE VALVE. USE 10" ROUND VALVE BOXES FOR ELECTRIC VALVES AND QUICK COUPLING VALVES UNLESS NOTED OTHERWISE. D.C.A.s SHALL BE BOXED ACCORDING TO LOCAL CODES.
- USE LASCO O-RING SWING JOINT ASSEMBLIES TO CONNECT ALL ROTARY HEADS AND QUICK COUPLERS.
- ALL SPRAY HEADS SHALL BE CONNECTED WITH A 12" MINIMUM LENGTH OF 1/2" FLEX PVC. THE FLEX PVC SHALL BE SOLVENT WELDED TO SCHEDULE 40 PVC FITTINGS WITH WELD-ON #195 SOLVENT AND #P-70 PRIMER.
- CONTRACTOR IS TO CONTACT APPROPRIATE AUTHORITIES AND LOCATE ALL UTILITIES PRIOR TO CONSTRUCTION.

IRRIGATION SLEEVE INSTALLATION

IRRIGATION CONTRACTOR TO INSTALL ALL SLEEVES AS SHOWN ON THE PLANS OR AS CALLED OUT FOR IN THE SPECIFICATIONS.

IRRIGATION VALVE LOCATIONS

THE IRRIGATION CONTRACTOR SHALL LOCATE VALVES IN GROUPINGS AS SHOWN ON THE PLANS. VALVES WILL BE LOCATED TOGETHER IN REASONABLE PROXIMITY ALLOWING ENOUGH ROOM TO WORK ON AN INDIVIDUAL VALVE SHOULD IT NEED REPAIR. ANY DEVIATION FROM THE PLANS WILL REQUIRE WRITTEN APPROVAL FROM THE OWNER OR OWNER'S REPRESENTATIVE.

REPLANTING OF DISTURBED AREAS

LANDSCAPE AREAS DISTURBED BY CONSTRUCTION THAT ARE NOT SHOWN TO RECEIVE GRASS PER THE PLANS SHALL RECEIVE HYDROMULCH AND TEMPORARY IRRIGATION TO PROVIDE A FULL STAND OF GRASS PER THE SPECIFICATIONS.

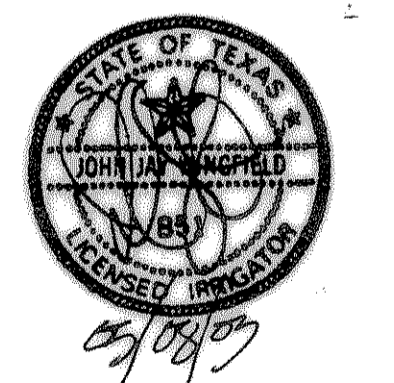
IRRIGATION DETAILS

SCALE: N.T.S.

DATE: May 8, 2003
DRAWN BY: JMW
CHECKED: JMW
CDM NO: 144102110
REVISED:

SPRINGER ELEMENTARY SCHOOL
ROCKWALL INDEPENDENT SCHOOL DISTRICT
ROCKWALL, TEXAS

FINAL PLANS FOR BIDDING AND CONSTRUCTION



SHEET NUMBER

4 OF 4

SET NUMBER

L 2.4

© 2003 SHW Group, Inc.