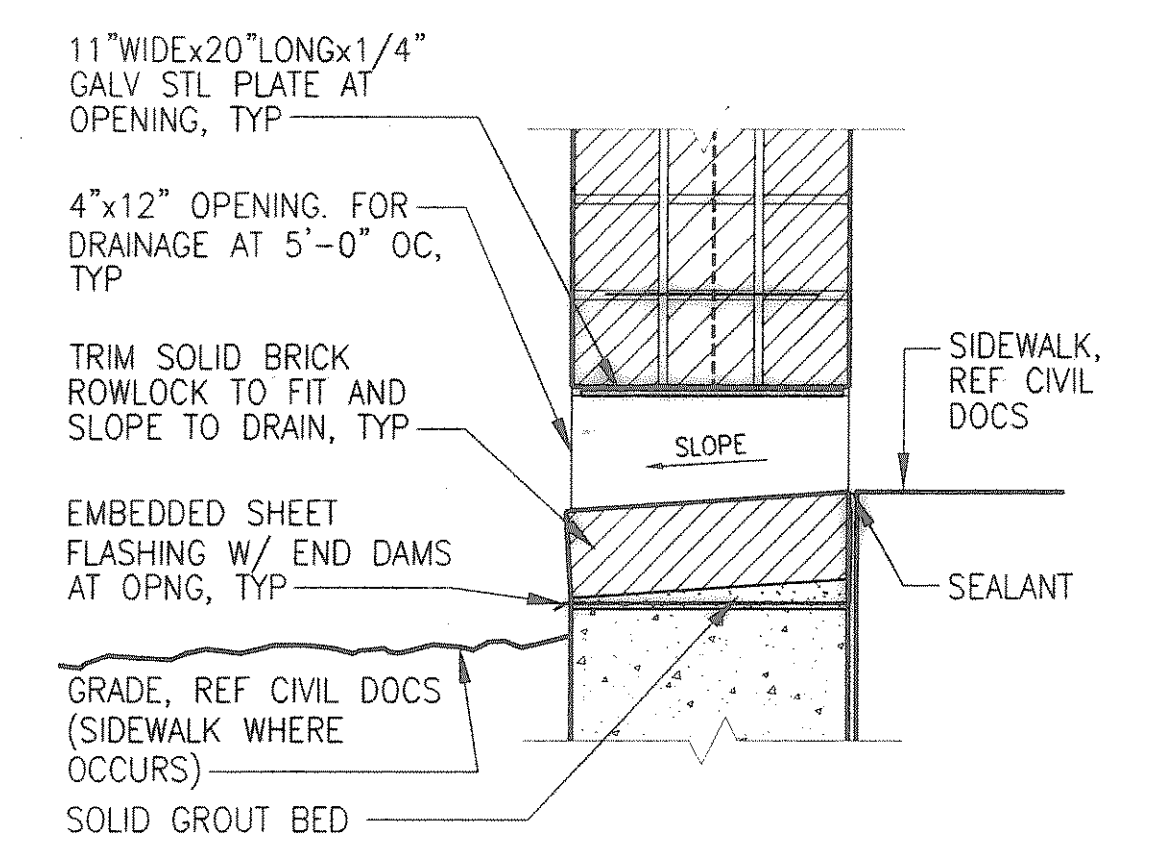
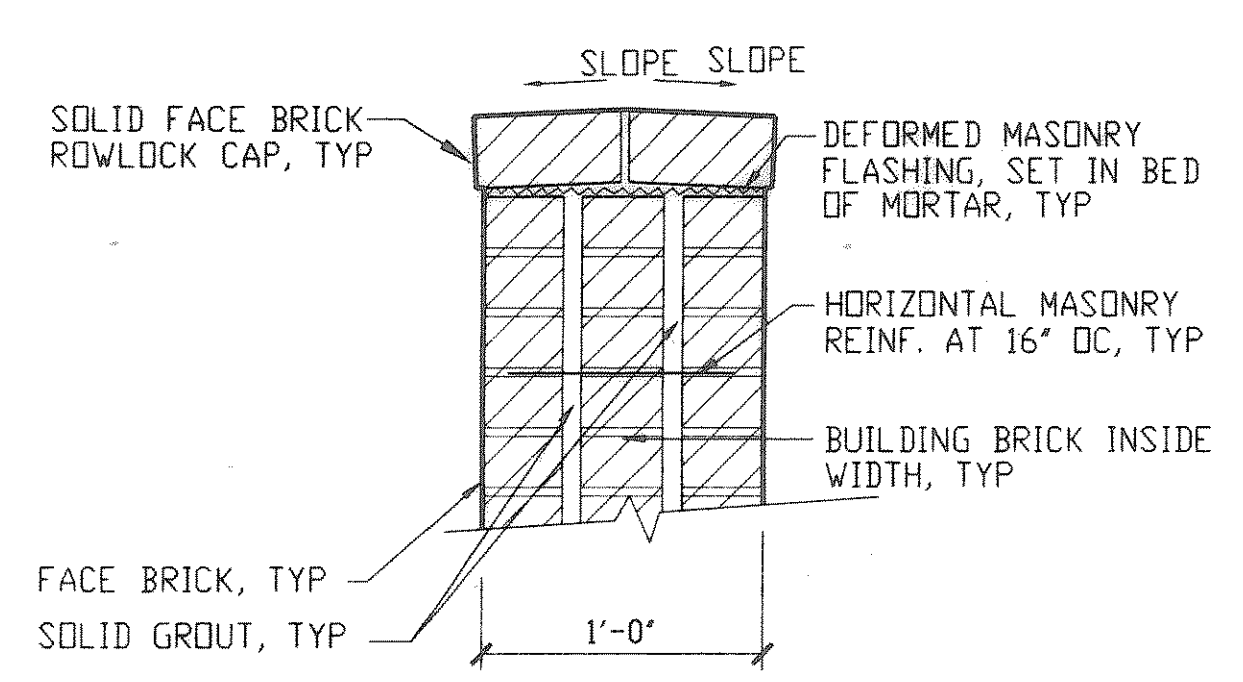
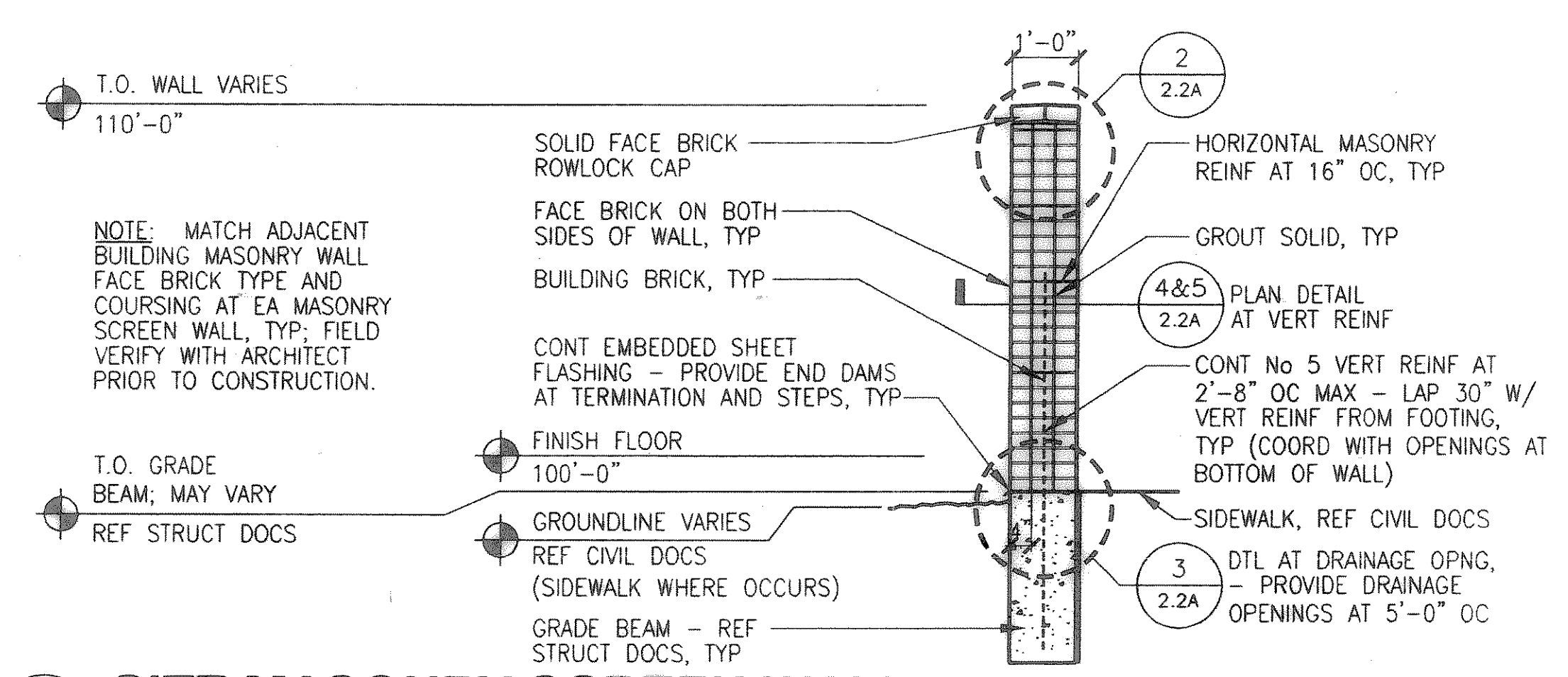
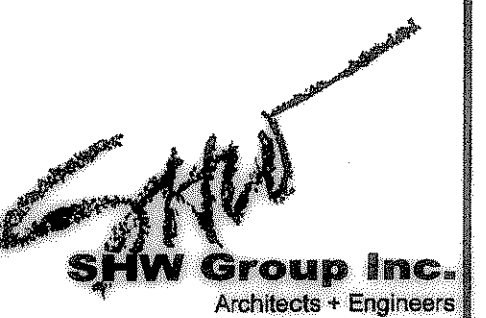


**SPRINGER ELEMENTARY SCHOOL
 ROCKWALL INDEPENDENT SCHOOL DISTRICT
 ROCKWALL, TEXAS**

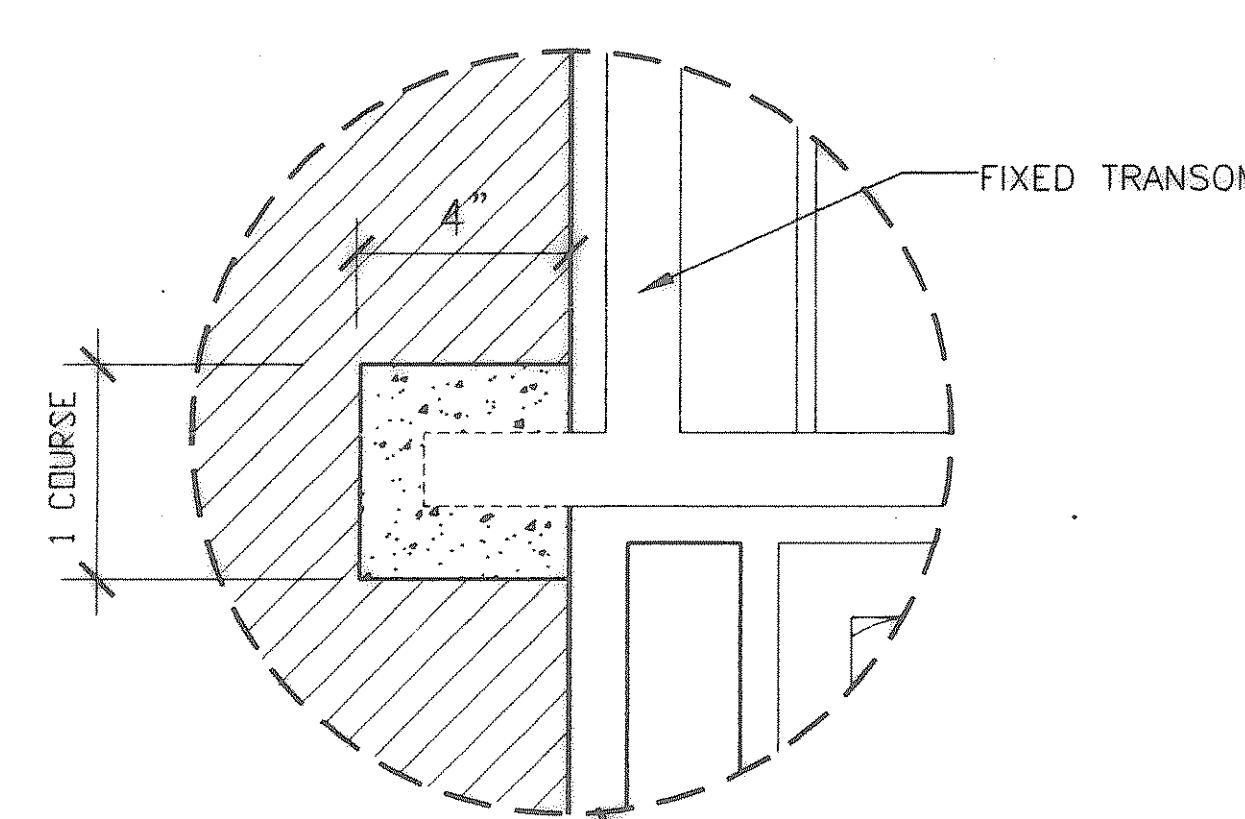
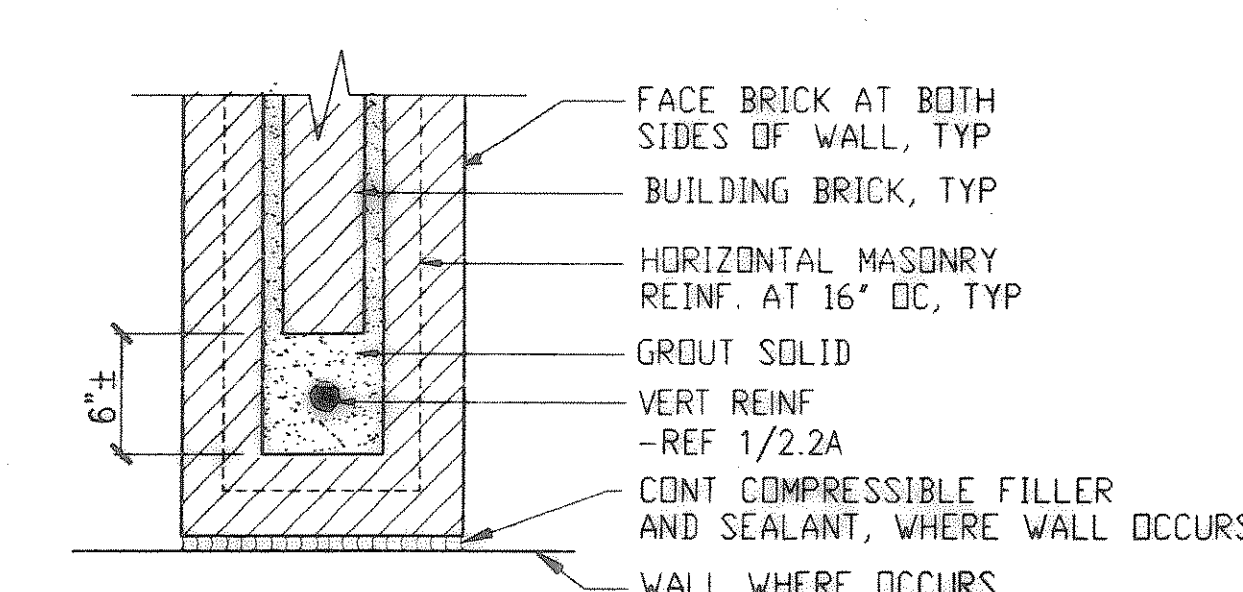
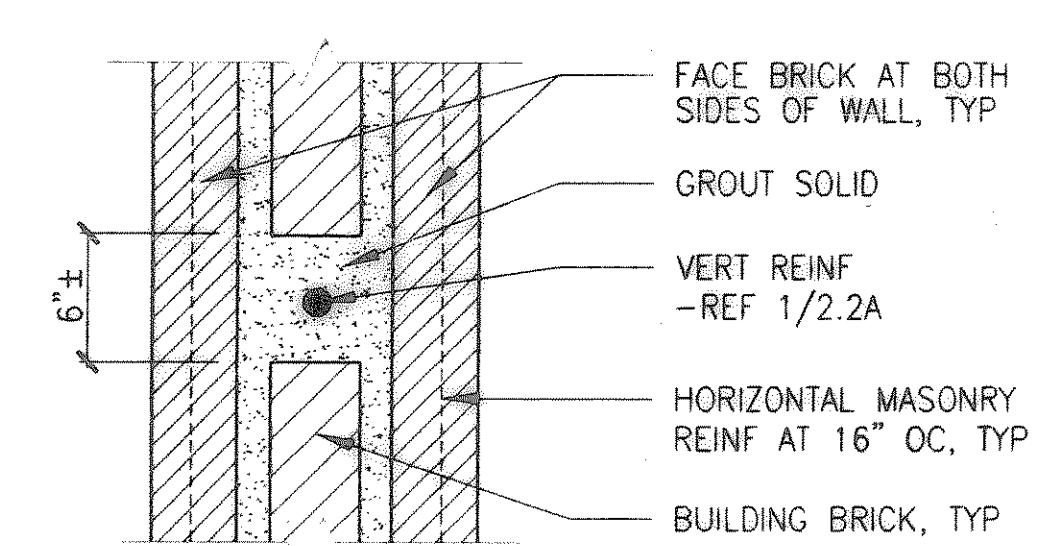
FINAL PLANS FOR BIDDING AND CONSTRUCTION



1 SITE MASONRY SCREEN WALL
 2.2A NTS

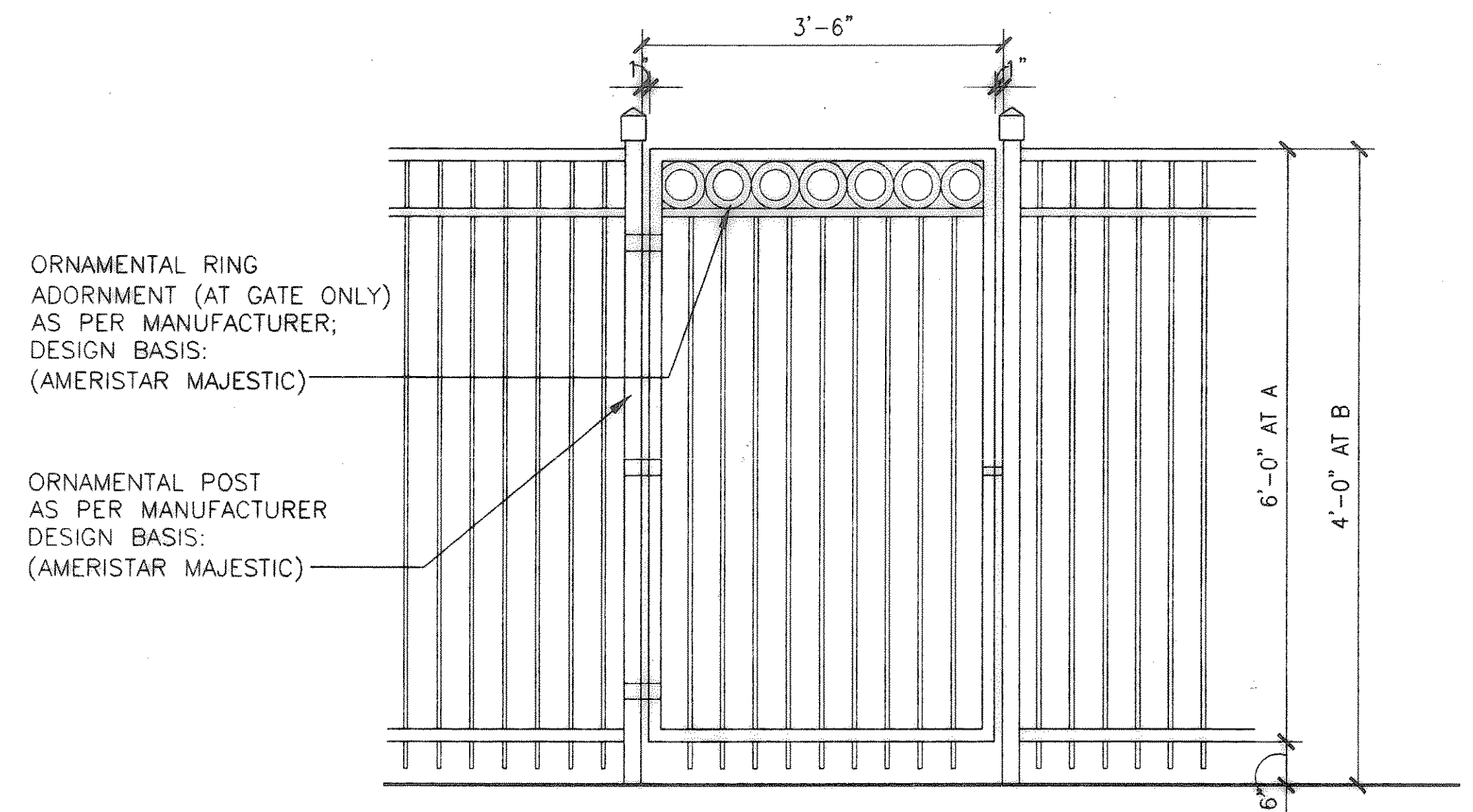
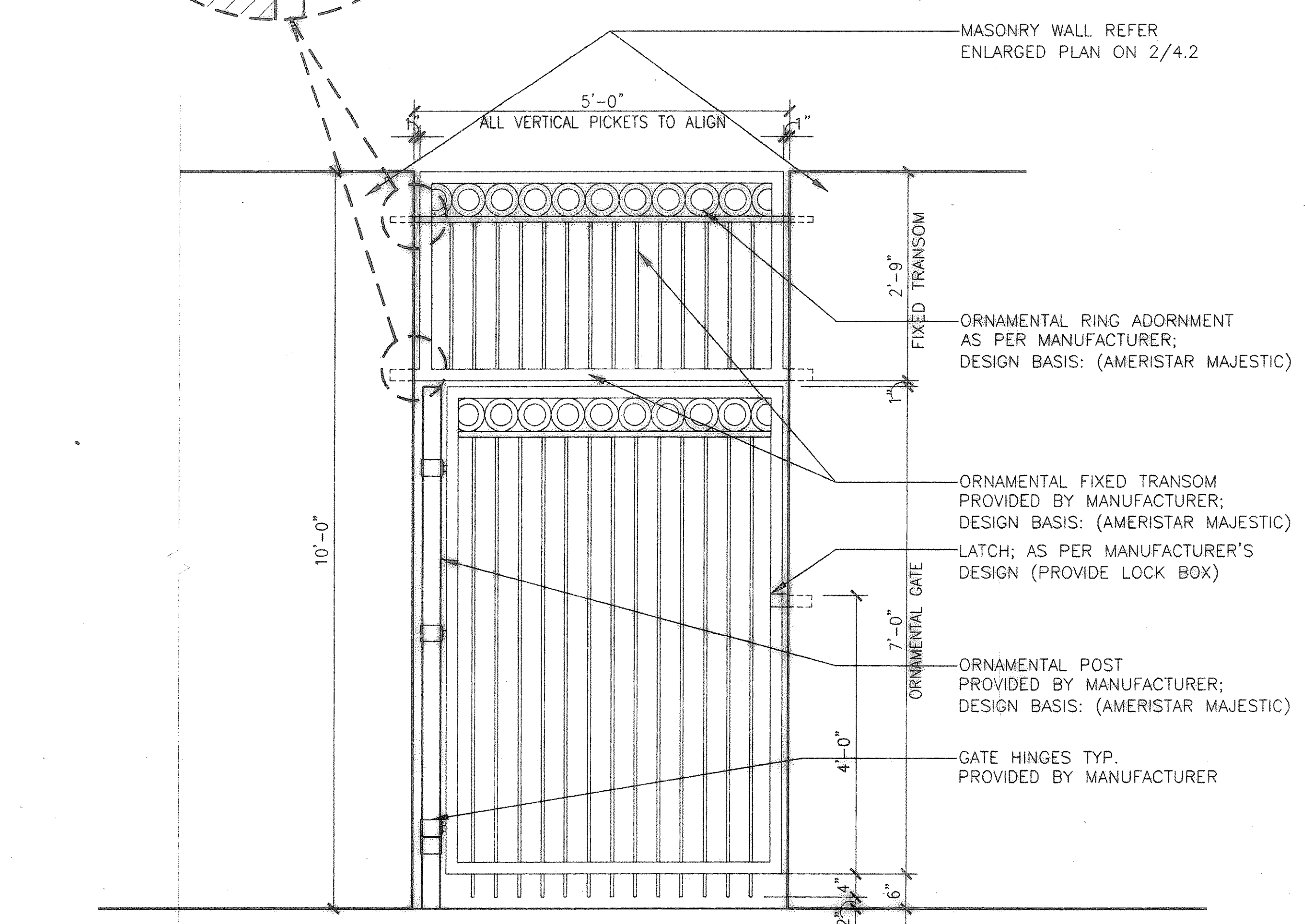
2 SCREEN WALL SECTION DETAIL
 2.2A NTS

3 SCREEN WALL SECTION DETAIL
 2.2A NTS



4 SCREEN WALL SECTION DETAIL
 2.2A NTS

5 SCREEN WALL SECTION DETAIL WHERE WALL INTERSECTS
 2.2A NTS



6A 6B TYP. ORNAMENTAL GATE ELEVATION
 2.2A 2.2A NTS

7 ORNAMENTAL GATE AT SCREEN WALL
 2.2A NTS