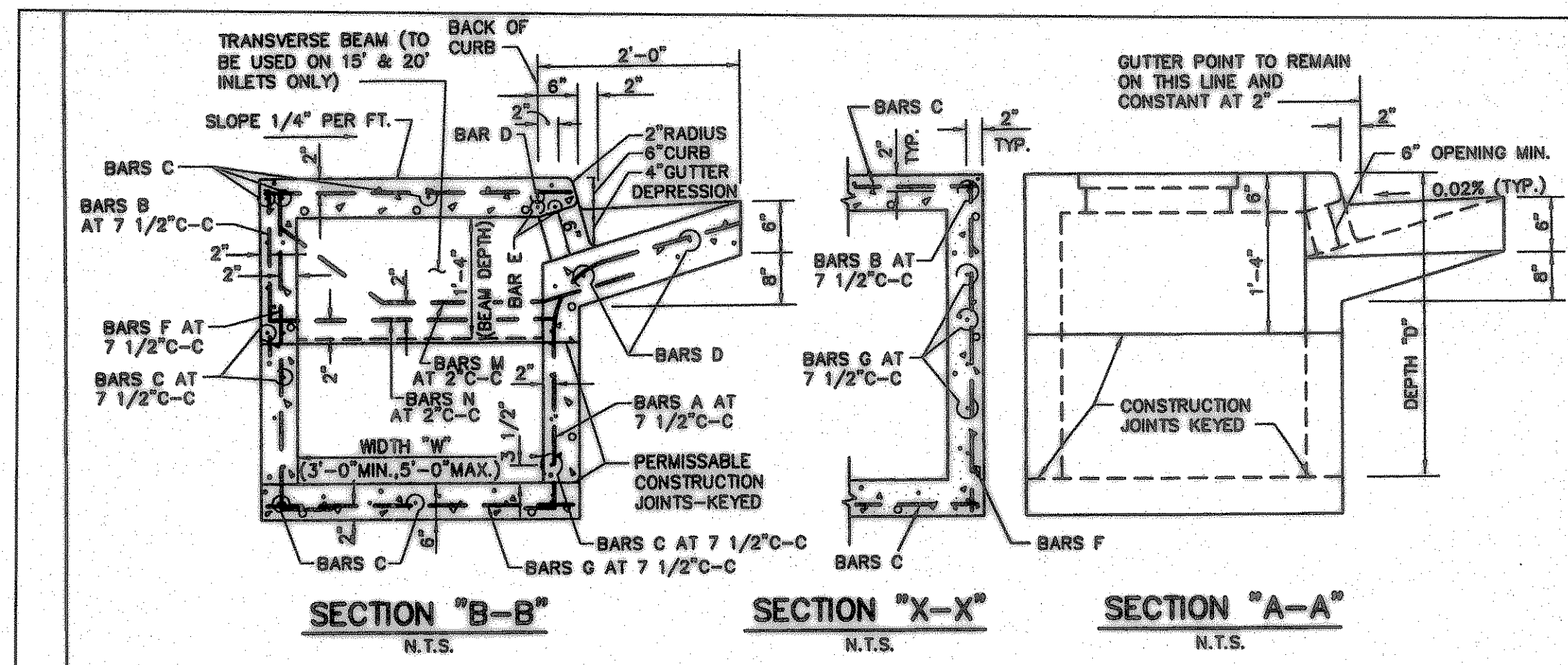
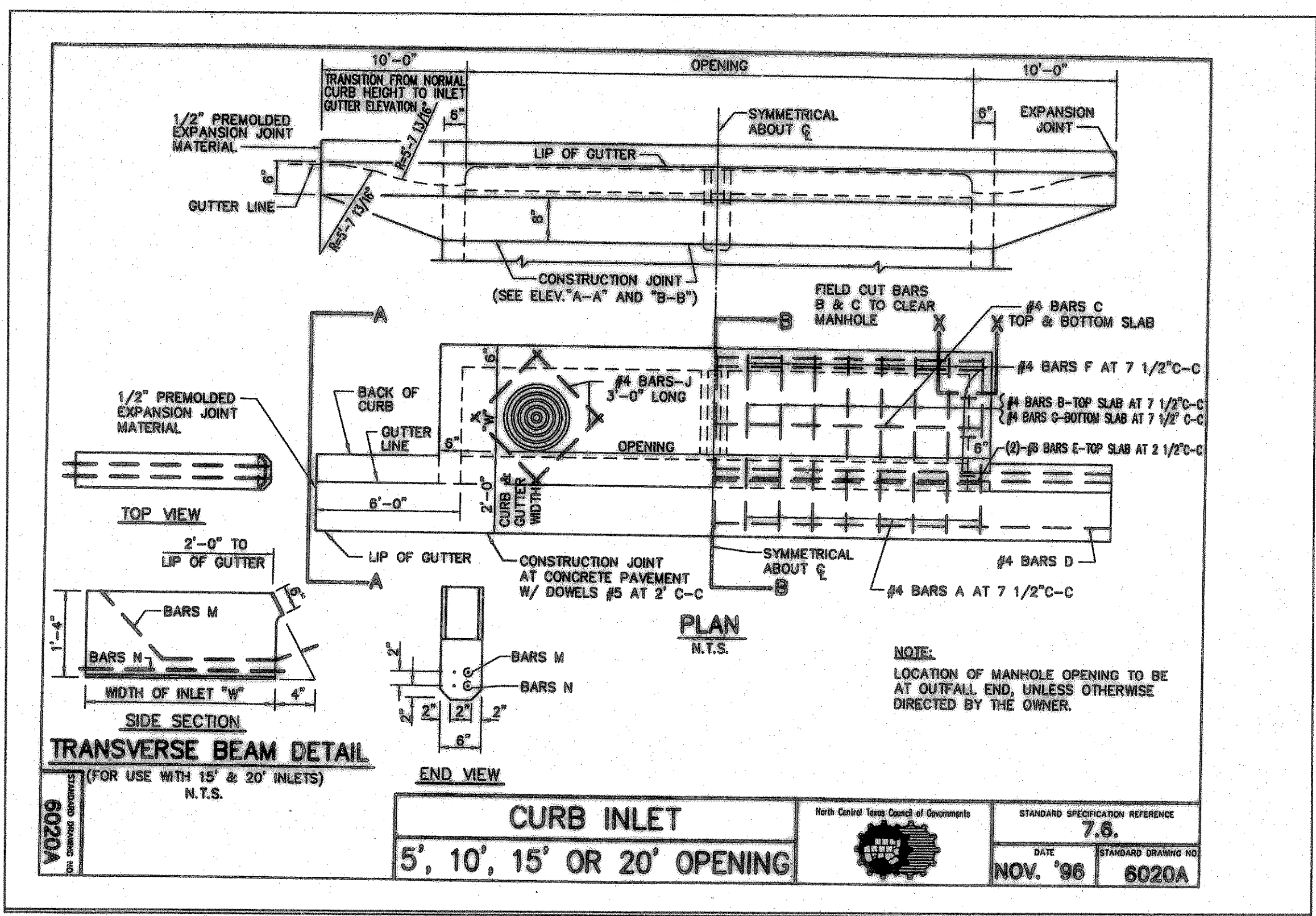
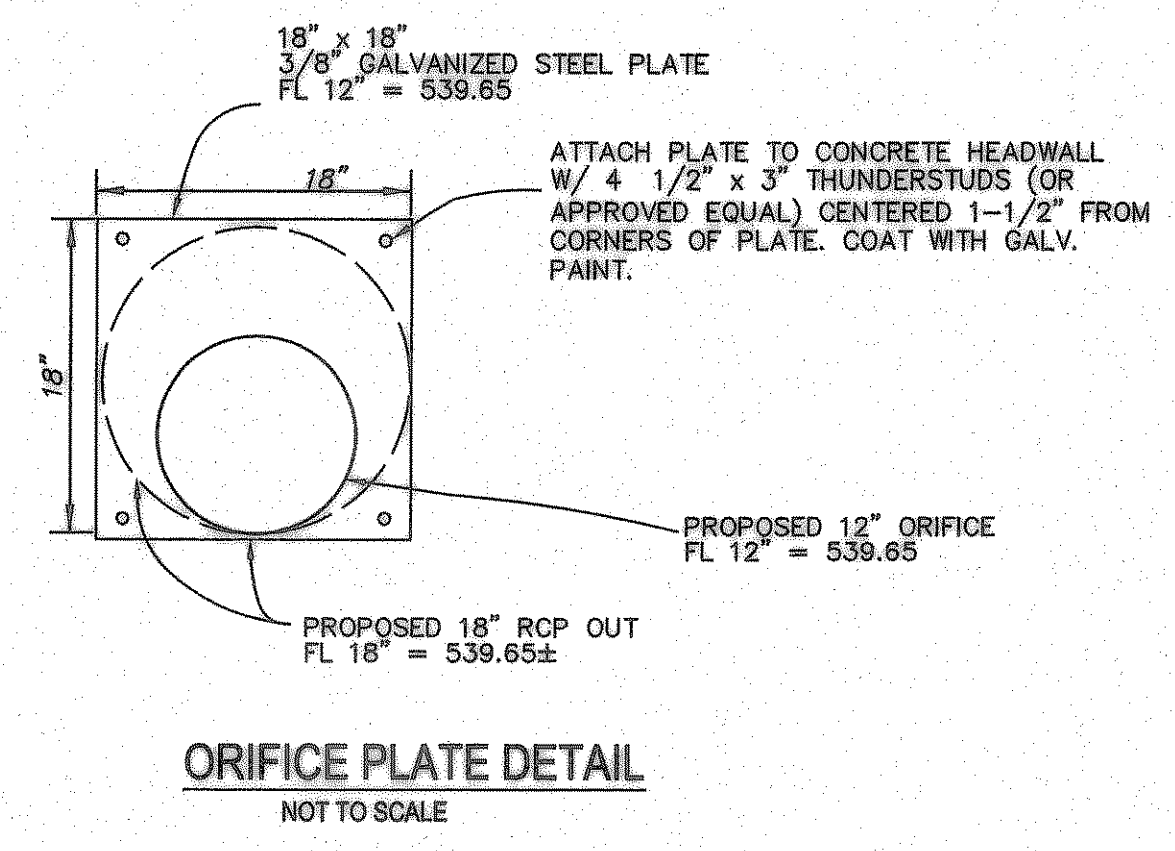


Aug 06, 2007 2:57pm User: Cheryl Ann Armijo
 \\Robertp\C-DRIVE\ROCKISD\FONTANNA\DETAILS\fontanna-Details-ALL.dwg



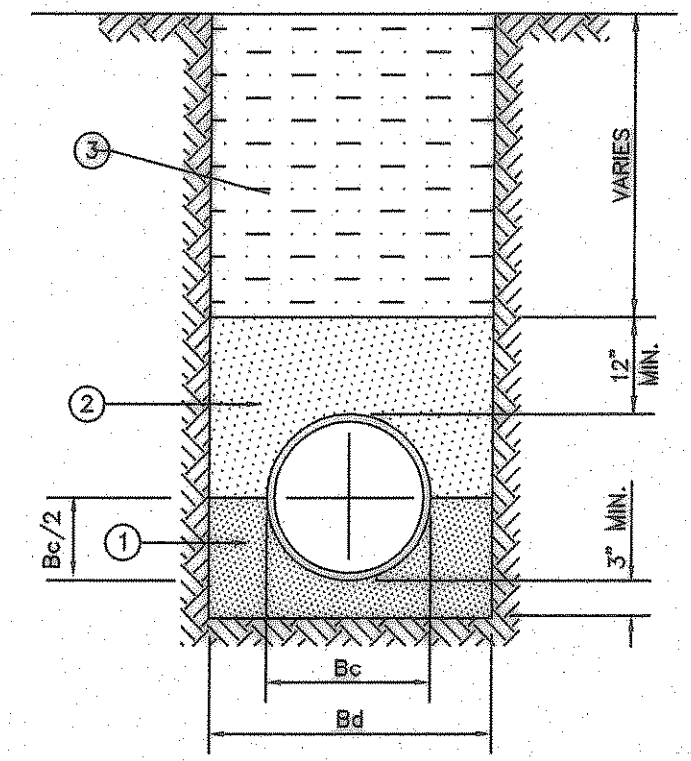
- GENERAL NOTES:**
1. ALL CONCRETE SHALL BE CLASS "A" CONCRETE.
 2. REINFORCING BARS SHALL BE STANDARD GRADE STEEL, DEFORMED REINFORCING BARS OF A DIAMETER AND LENGTH AS SHOWN.
 3. CHAMFER ALL EXPOSED CORNERS 3/4" EXCEPT WHERE OTHERWISE NOTED.
 4. DIMENSIONS RELATING TO REINFORCING STEEL ARE TO CENTERS OF BARS.
 5. FIELD CUT AND BEND BARS AS NECESSARY TO ACCOMMODATE STORM SEWER PIPE.
 6. RING AND COVER SHALL BE APPROVED BY THE OWNER AND INSTALLED BY THE CONTRACTOR.

6020B	CURB INLET	North Central Texas Council of Governments	STANDARD SPECIFICATION REFERENCE
	CROSS SECTION & INLET THROAT		7.6.
			DATE
			NOV. '96
			STANDARD DRAWING NO.
			6020B



6020A	CURB INLET	North Central Texas Council of Governments	STANDARD SPECIFICATION REFERENCE
	5', 10', 15' OR 20' OPENING		7.6.
			DATE
			NOV. '96
			STANDARD DRAWING NO.
			6020A

RECORD DRAWING
 This is to certify that changes and corrections have been made to conform to the contractor's record of this project.
 Signed: *[Signature]* Date: 8-6-07
 Glenn Engineering Corporation



1. FINE GRADATION CRUSHED STONE - TOP LAYER IS TO BE PLACED TO GRADE TO PROVIDE UNIFORM SUPPORT OF PIPE BARREL. EXCAVATE BELL HOLES.
 2. SELECT MATERIAL FREE OF ROCKS, CLUMPS OR DEBRIS LARGER THAN 6" IN GREATEST DIMENSION. COMPACT TO 95% STANDARD PROCTOR DENSITY. UNDER STRUCTURES, ROADWAYS AND PAVEMENT, USE NON-GRANULAR MATERIAL COMPACTED TO 95% STANDARD PROCTOR DENSITY. (NO SAND PERMITTED ABOVE STONE)
 3. SELECT MATERIAL FREE OF ROCKS, CLUMPS OR DEBRIS LARGER THAN 6" IN GREATEST DIMENSION. COMPACT TO 95% STANDARD PROCTOR DENSITY. UNDER STRUCTURES, ROADWAYS AND PAVEMENT, COMPACT TO 95% STANDARD PROCTOR DENSITY.
 4. NO SAND OVER ROCK
- CLASS "B+" EMBEDMENT**
 NOT TO SCALE
 ROOF DRAIN LINES AND STORM SEWER LINES

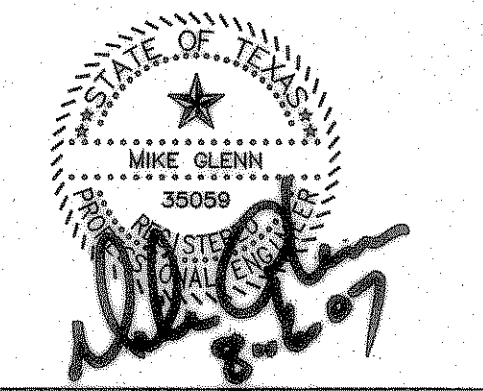
STORM SEWER DETAILS
 N.T.S.

GLENN ENGINEERING
 PHONE 972-717-5151 FAX 972-717-2178
 105 DECKER COURT - SUITE 910 IRVING, TEXAS 75062

SHW Group LLP
 Architects + Engineers + Planners

Consultants:
 CIVIL:
 GLENN ENGINEERING CORP
 SHW GROUP, LLP
 STRUCTURAL:
 SHW GROUP, LLP
 MEP:
 ESTES McCLURE AND ASSOCIATES.
 FOOD SERVICE:
 H. G. RICE Inc.
 LANDSCAPING:
 GRUBBS RAMSEY

FINAL PLANS
 FOR BIDDING AND CONSTRUCTION



Rockwall Independent School District

ROCKWALL ELEMENTARY SCHOOL #12
 ROCKWALL, TEXAS

Project Number: 1441.05.020
 Drawing Date: 7/18/2006
 Drawn: R.HOWMAN
 Checked: RAH
 Scale: AS SHOWN
 ACAD File: fontanna-Details-ALL.dwg
 © 2006 SHW Group, LLP

Revisions:

1	06/01/2006	CITY COMMENTS
2	08/15/2006	CITY COMMENTS
3	10/23/2006	WATER REVISIONS

Sheet Title:
STORM DETAILS

CU 1.10