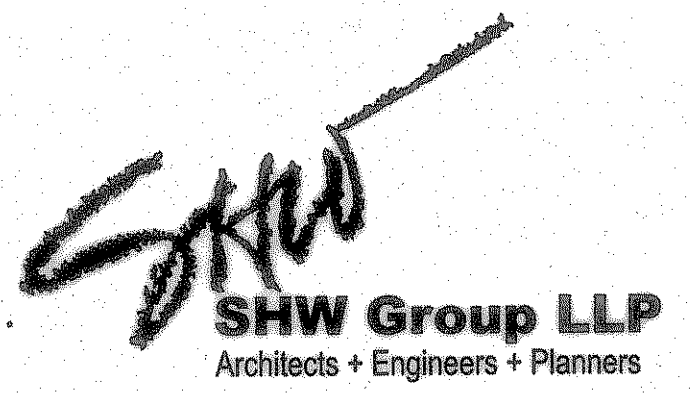
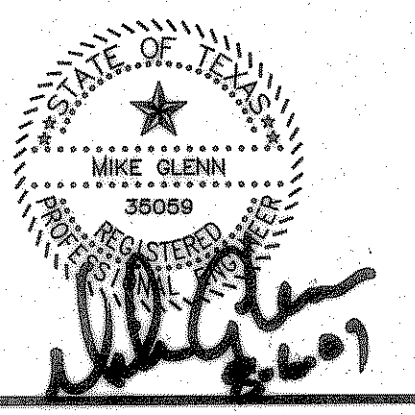


NOTE: NO SAND WILL BE PERMITTED UNDER PAVEMENT.



Consultants:
 CIVIL:
 GLENN ENGINEERING CORP
 STRUCTURAL:
 SHW GROUP, LLP
 MEP:
 ESTES McCLURE AND ASSOCIATES.
 FOOD SERVICE:
 H. G. RICE Inc.
 LANDSCAPING:
 GRUBBS RAMSEY

FINAL PLANS FOR BIDDING AND CONSTRUCTION



Rockwall Independent School District

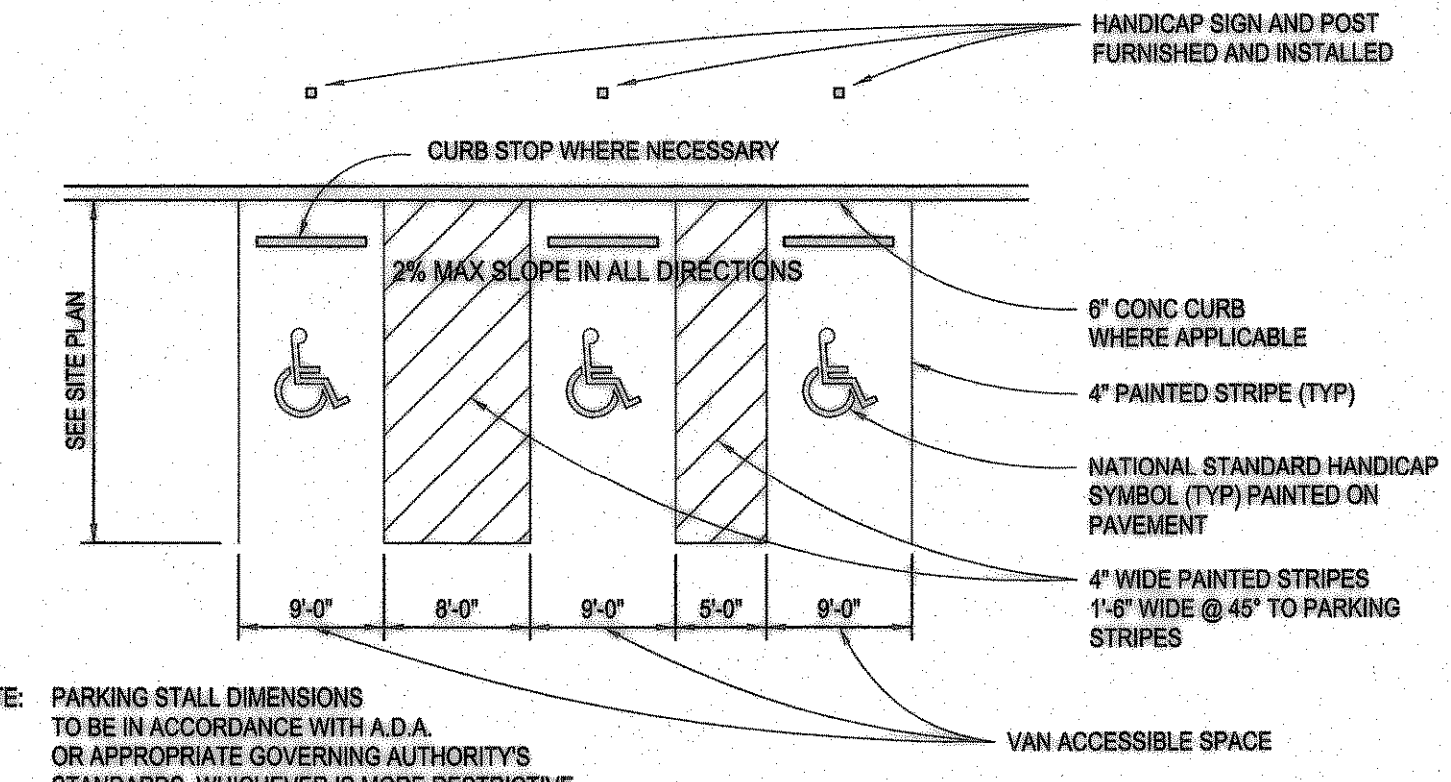
**ROCKWALL ELEMENTARY SCHOOL #12
 ROCKWALL, TEXAS**

Project Number: 1441.05.020
 Drawing Date: 7/18/2006
 Drawn: R.HOWMAN
 Checked: RAH
 Scale: AS SHOWN
 ACAD File: fontanna-Details-ALL.dwg
 © 2006 SHW Group, LLP

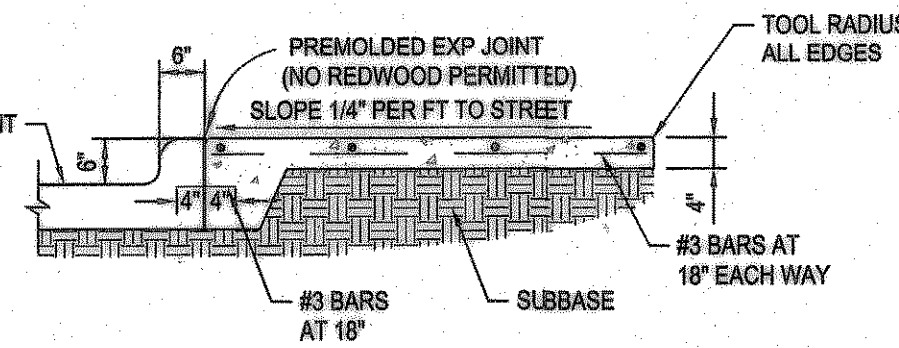
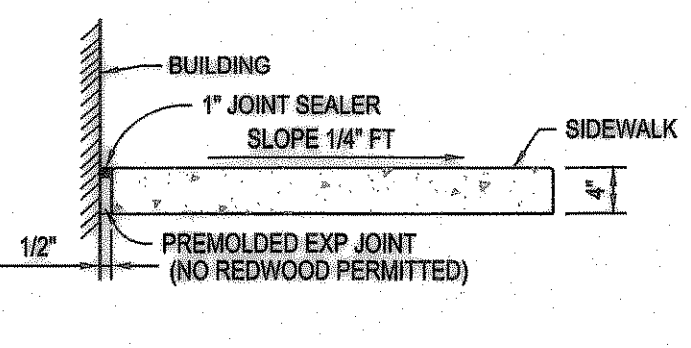
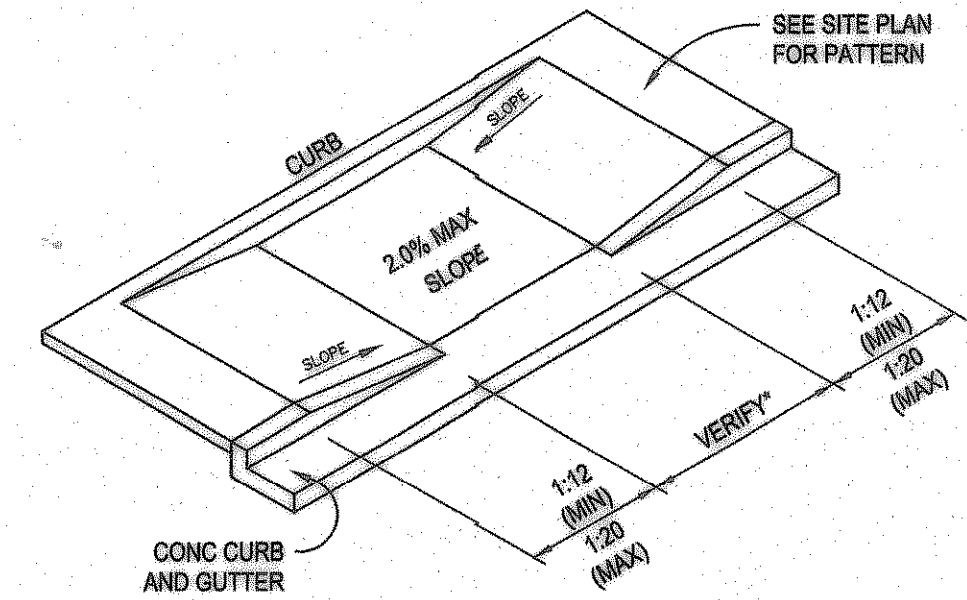
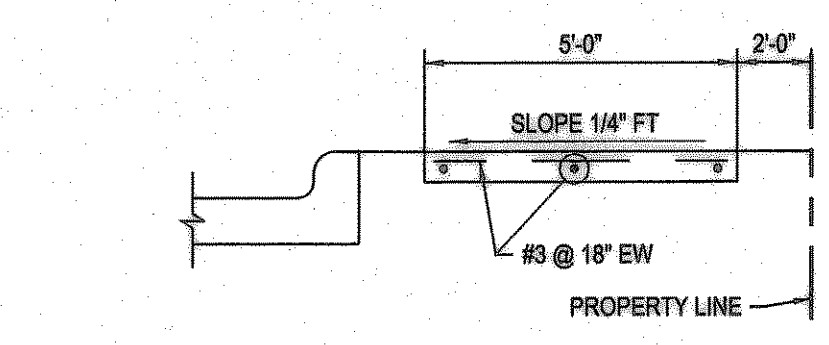
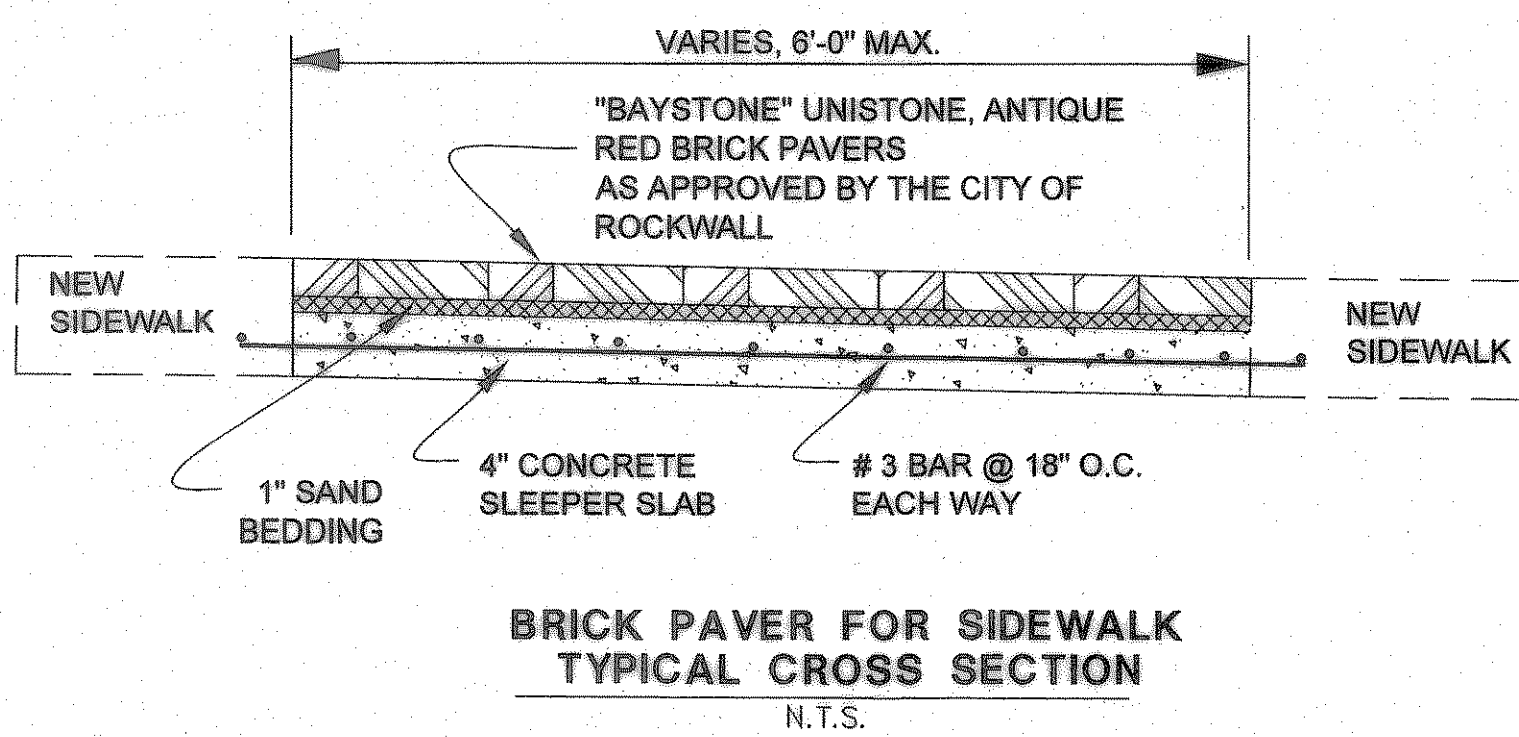
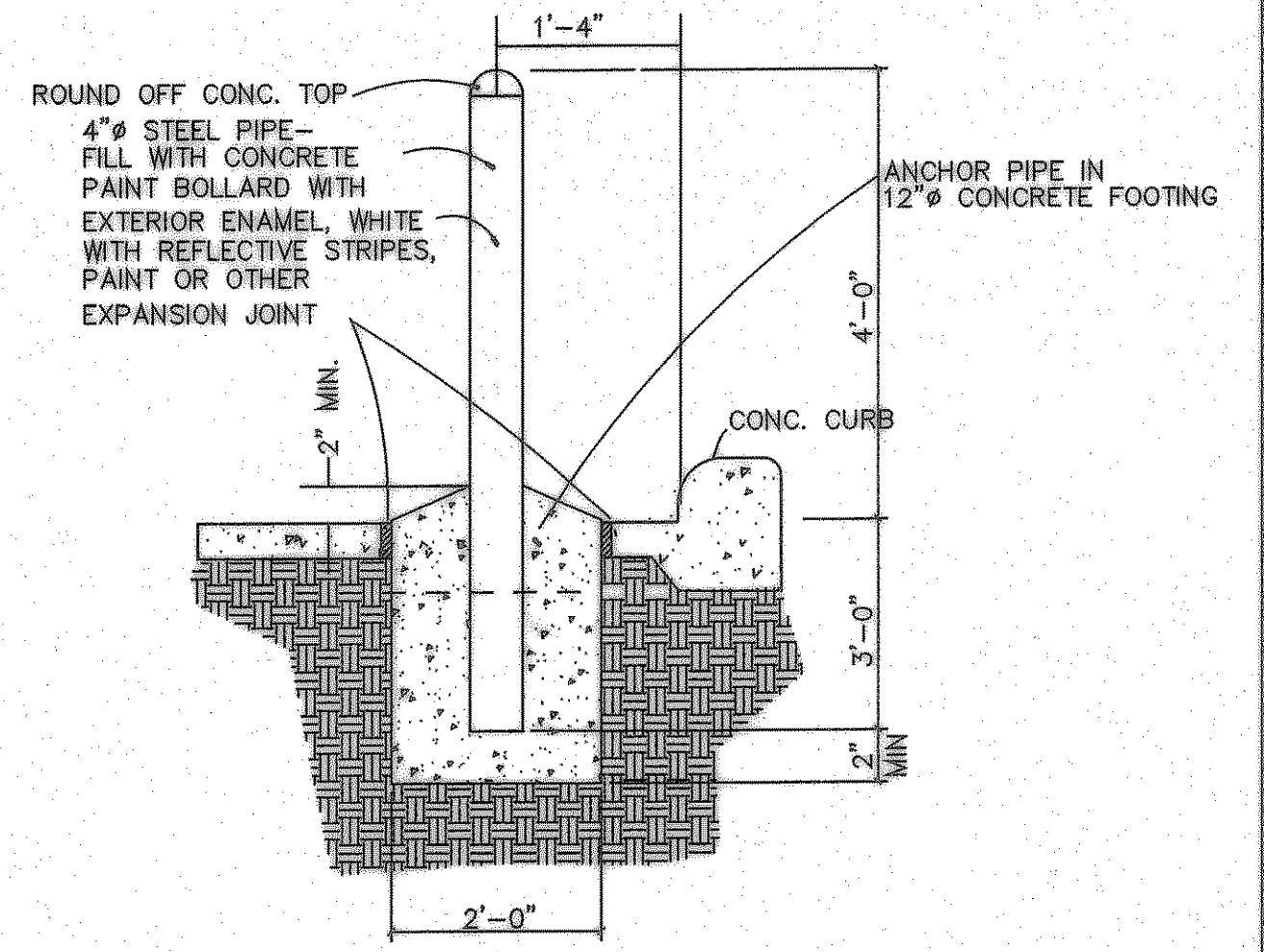
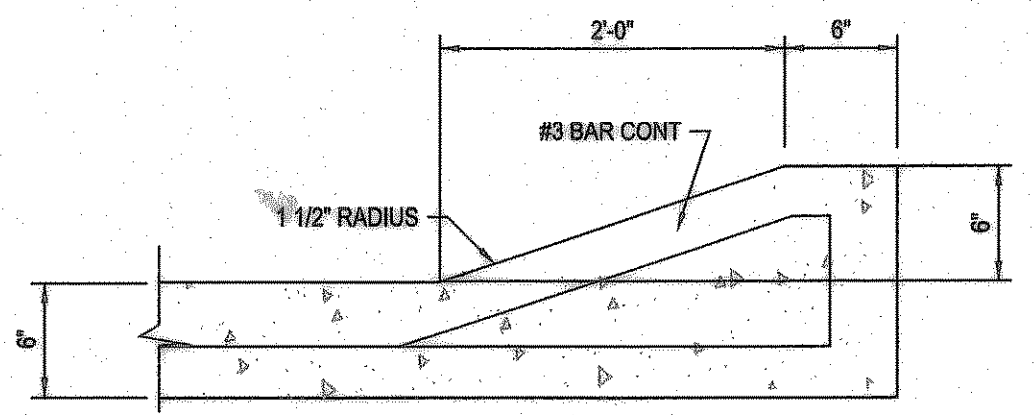
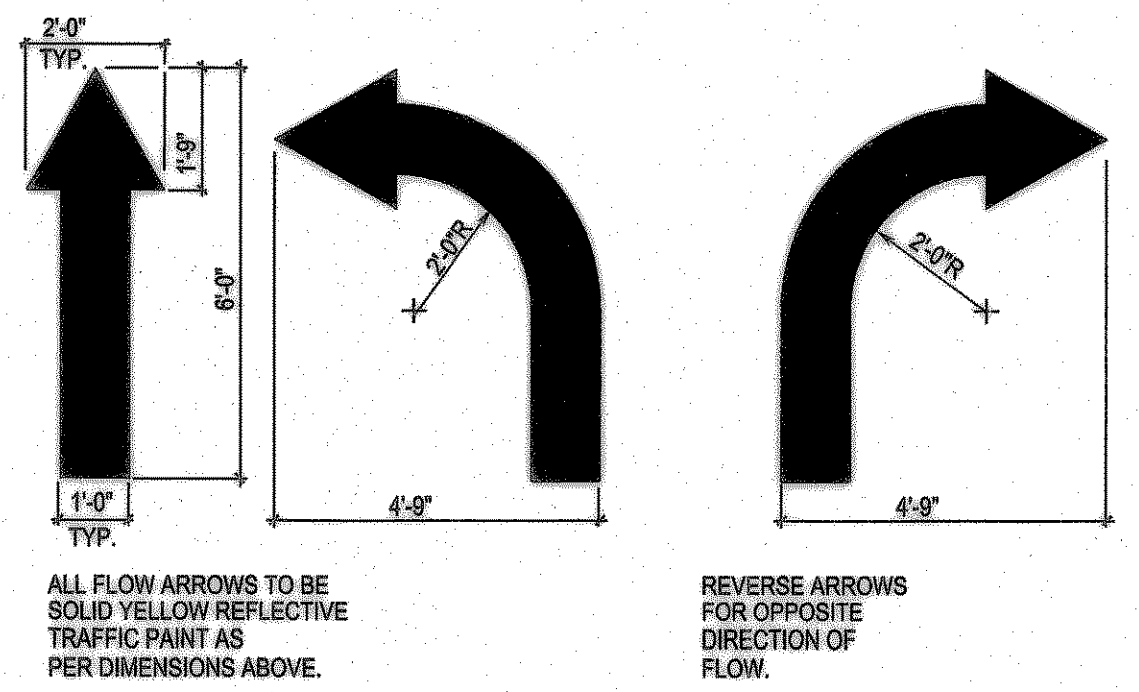
Revisions:

1	06/01/2006	CITY COMMENTS
2	08/15/2006	CITY COMMENTS
3	10/23/2006	WATER REVISIONS

Sheet Title:
PAVING DETAILS

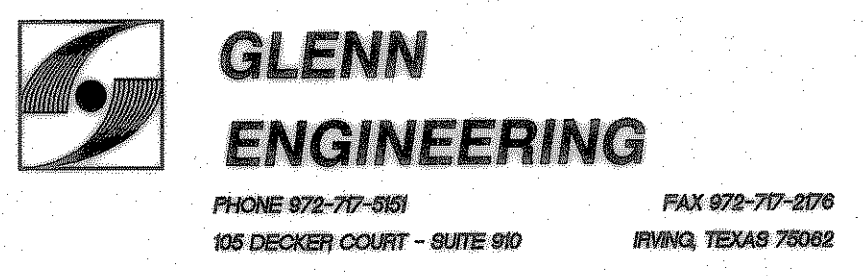


NOTE:
 USE THE CITY OF ROCKWALL STANDARDS OF DESIGN AND NCTCOG DETAILS FOR YOUR STANDARD DESIGN DETAILS.



RECORD DRAWING
 This is to certify that changes and corrections have been made to conform the contractor's record of this project.
 Signed: *Mike Glenn* 8-6-07
 Date: 8-6-07
 Glenn Engineering Corporation

PRIVATE PAVING DETAILS



User: Cheryl Ann Armijo
 Aug 06, 2007 - 2:59pm
 \\Roberthp\C-DRIVE\ROCKWALL\FONTANNA\DETAILS\fontanna-Details-ALL.dwg