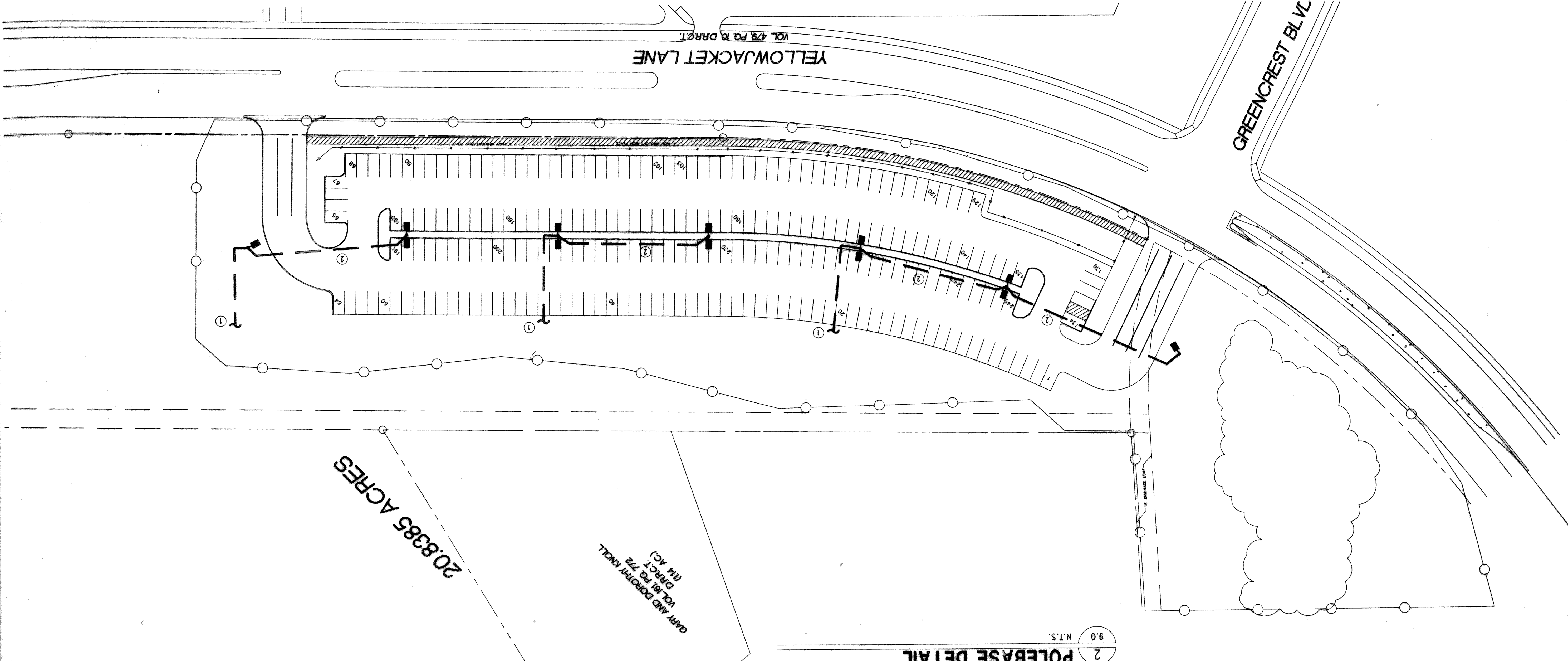


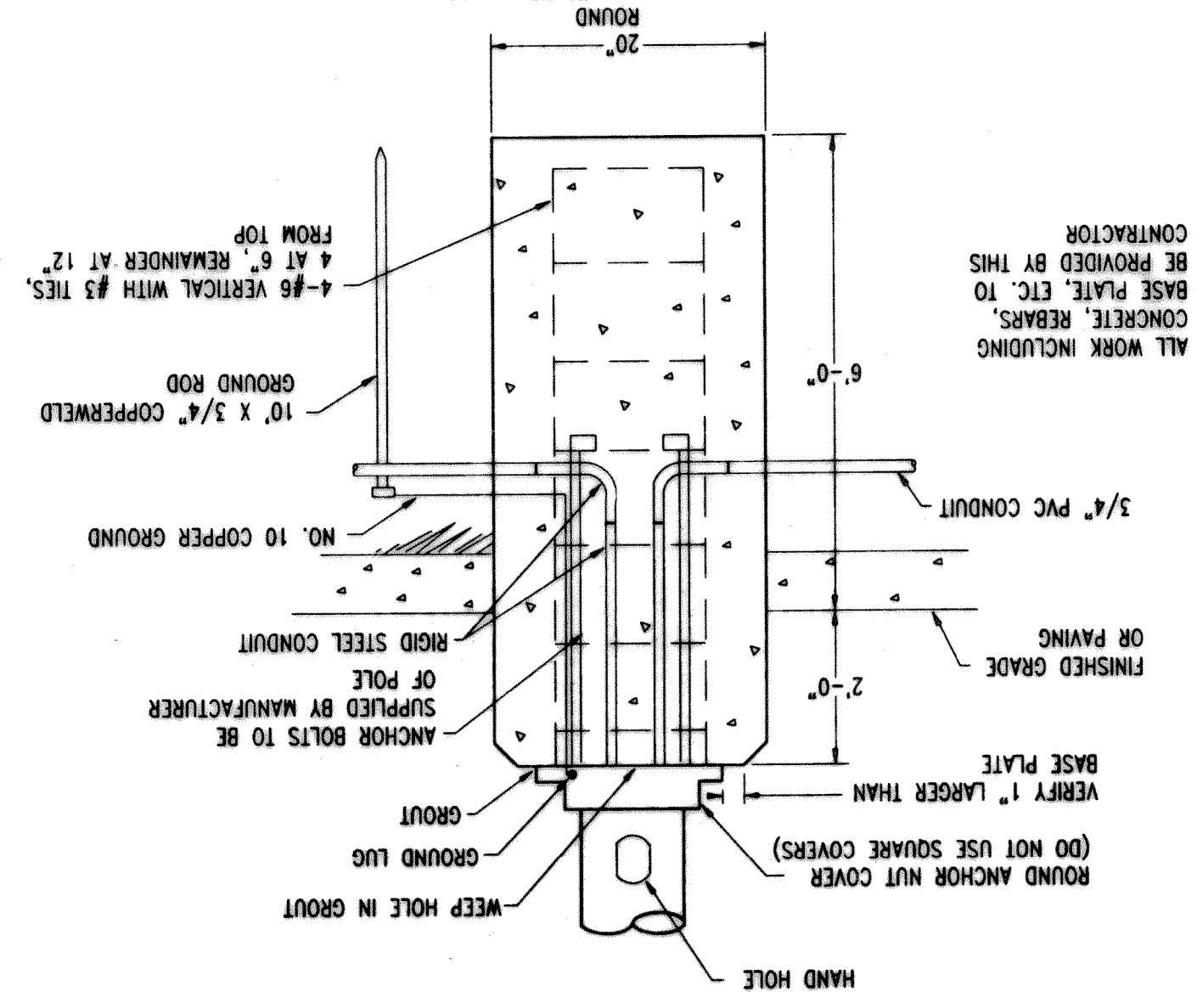
1 SITE PLAN-LIGHTING

9.0
1" = 40'-0"



2 POLEBASE DETAIL

9.0
N.T.S.



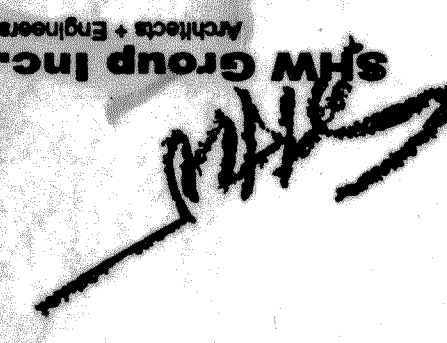
- GENERAL NOTES:**
- CONTRACTOR SHALL PROVIDE POLE BASES AS SHOWN UNDER THIS CONTRACT. LIGHT POLES AND FIXTURES SHALL BE UNDER SEPARATE CONTRACT.
- SITE PLAN NOTES:**
- STUB 1" EMPTY CONDUIT WITH PULLWIRE TO 5'-0" BEYOND ABOVE FINISHED GRADE AND CAP.
 - 1" MINIMUM EMPTY CONDUIT WITH PULLWIRE BETWEEN POLE BASES

SYSTEM.
NEW WORK REQUIRED FOR INSTALLATION OF A COMPLETE AND WORKING
CONTRACTOR HAS VISITED THE SITE AND HAS VERIFIED ALL EXISTING AND
SUBMISSION OF BID WILL BE CONSIDERED ACKNOWLEDGEMENT THAT THE



Estes, McClure & Assoc., Inc.
3800 West May
101 East Park Boulevard
Suite 600
Plano, Texas 75074
903-581-2877
Tyler, Texas 75703

SET NUMBER
OF 1
SHEET NUMBER
F
9.0



ROCKWALL I.S.D. 1998 PAVING IMPROVEMENTS
ROCKWALL HIGH SCHOOL PAVING IMPROVEMENTS
ROCKWALL I.S.D.
ROCKWALL, TEXAS

DATE: 8/4/98
DRAWN BY: RLD
CHECKED: RLD
COMM NO: 14-98433
REVISED: