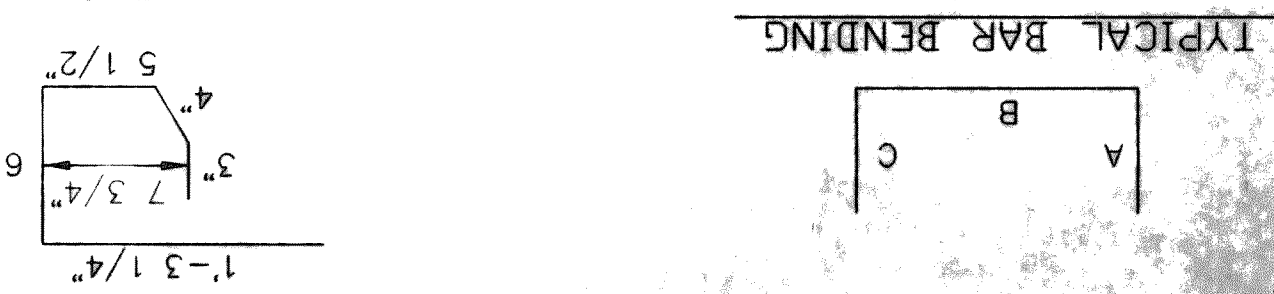


REINFORCING DETAILS



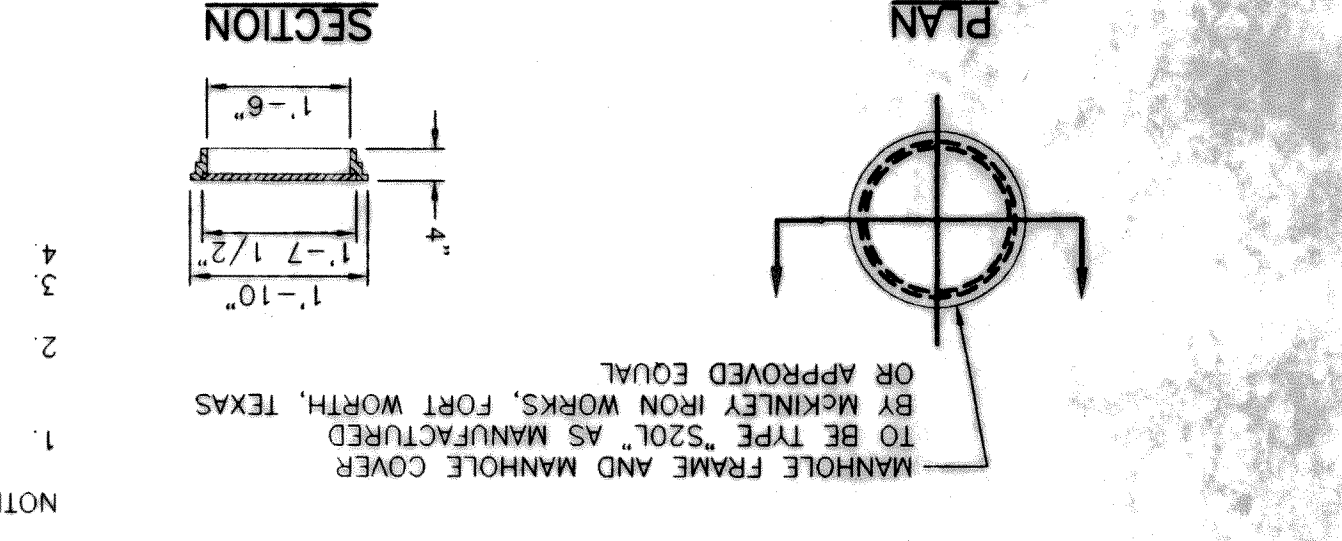
SEE DIAGRAM FOR DIMENSIONS

INLET LENGTH	INLET TYPE	BAR DIA. (1/8")	BAR NO.	BAR DIMENSIONS
6 FT.	A	3	9	3'-2" 0'-3"
6 FT.	B	3	3	4'-10" 0'-6"
10 FT.	C	4	15	6'-8" 0'-6"
10 FT.	D	4	5	4'-8" 0'-6"
	F	4	1	3'-2" 0'-6"
	G	3	5	2'-0" 1'-3"
	H	3	3	3'-2" 3'-2"
	N	3	3	3'-2" 3'-2"

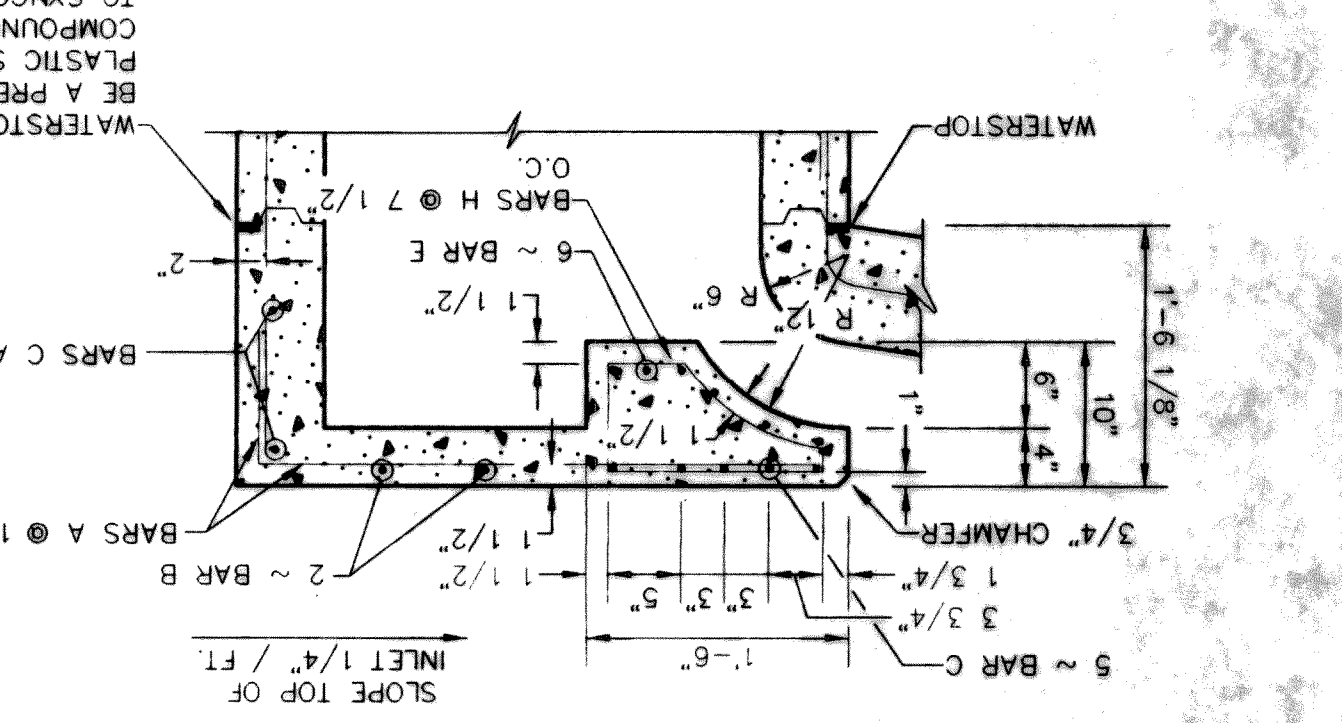
DIMENSIONS SHOWN ARE FOR MAX. SIZE INLETS

REINFORCING STEEL SCHEDULE

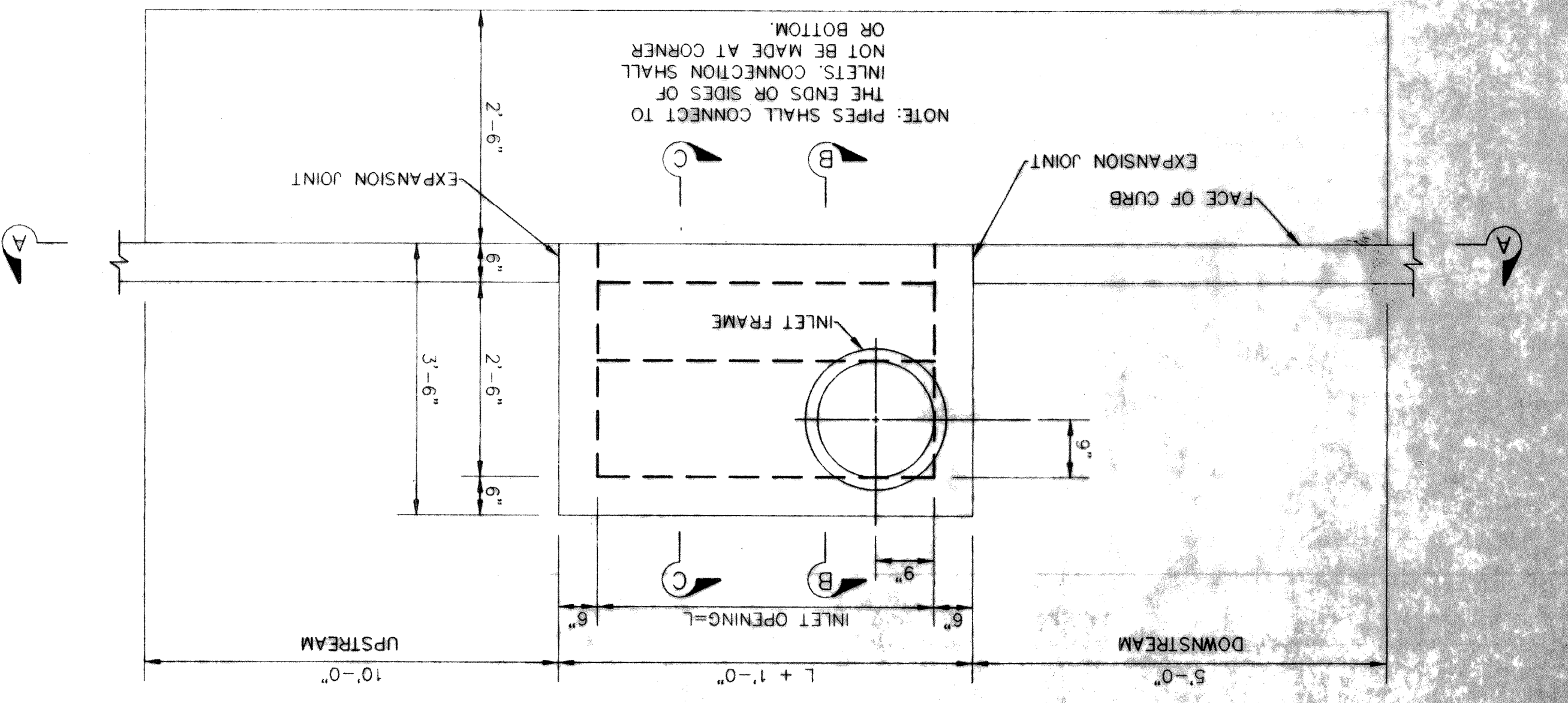
INLET MANHOLE FRAME AND COVER



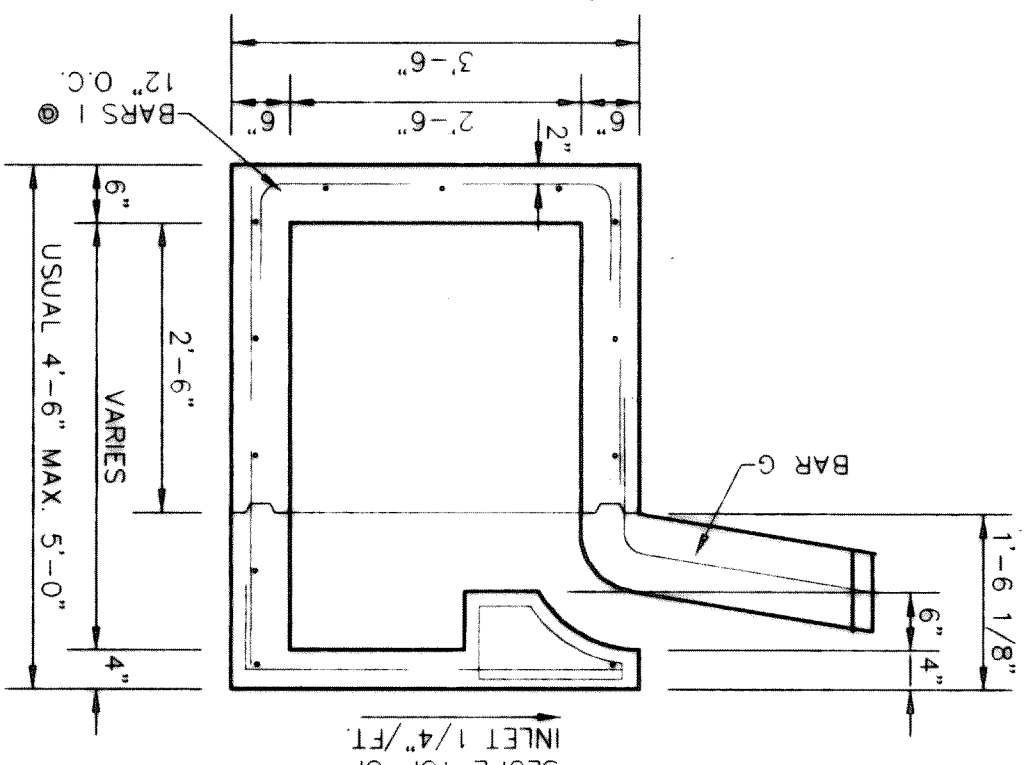
SECTION "C-C"



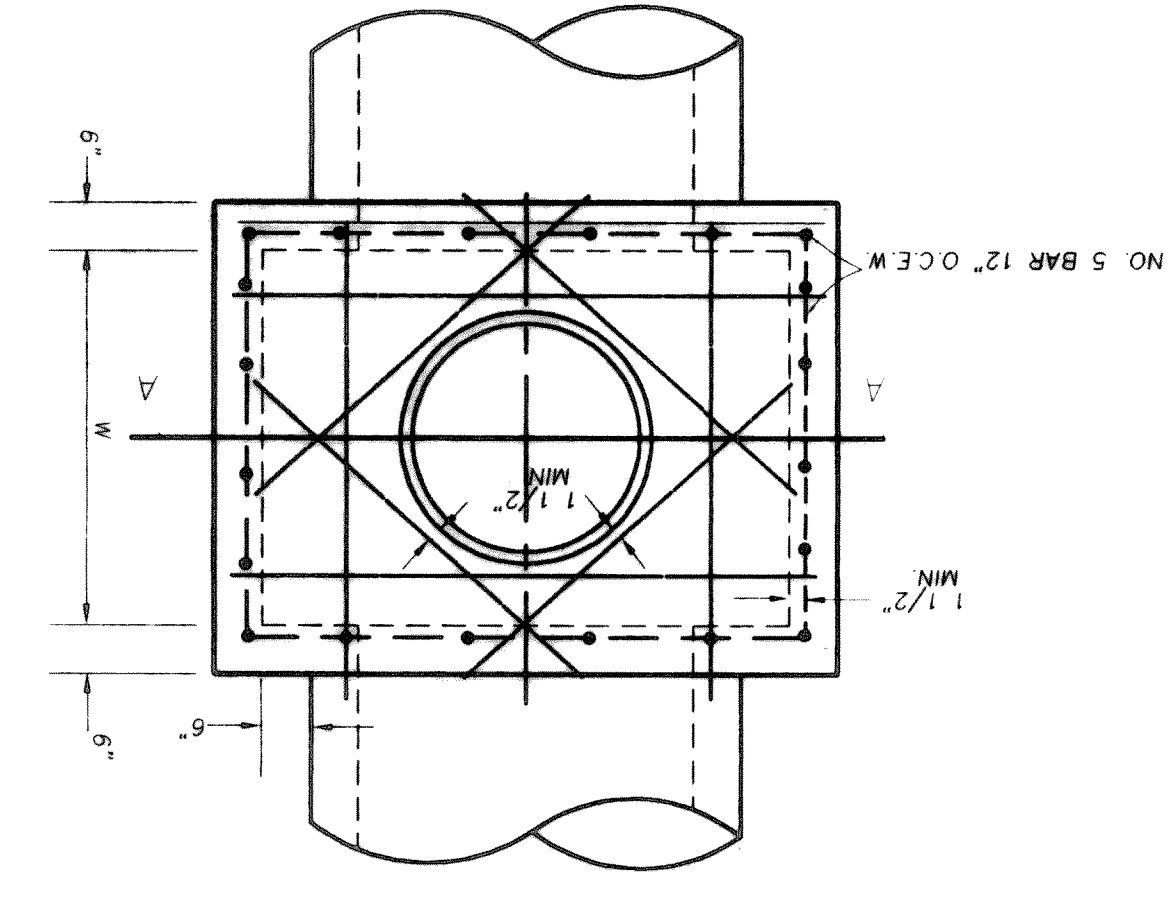
PLAN - STANDARD INLET



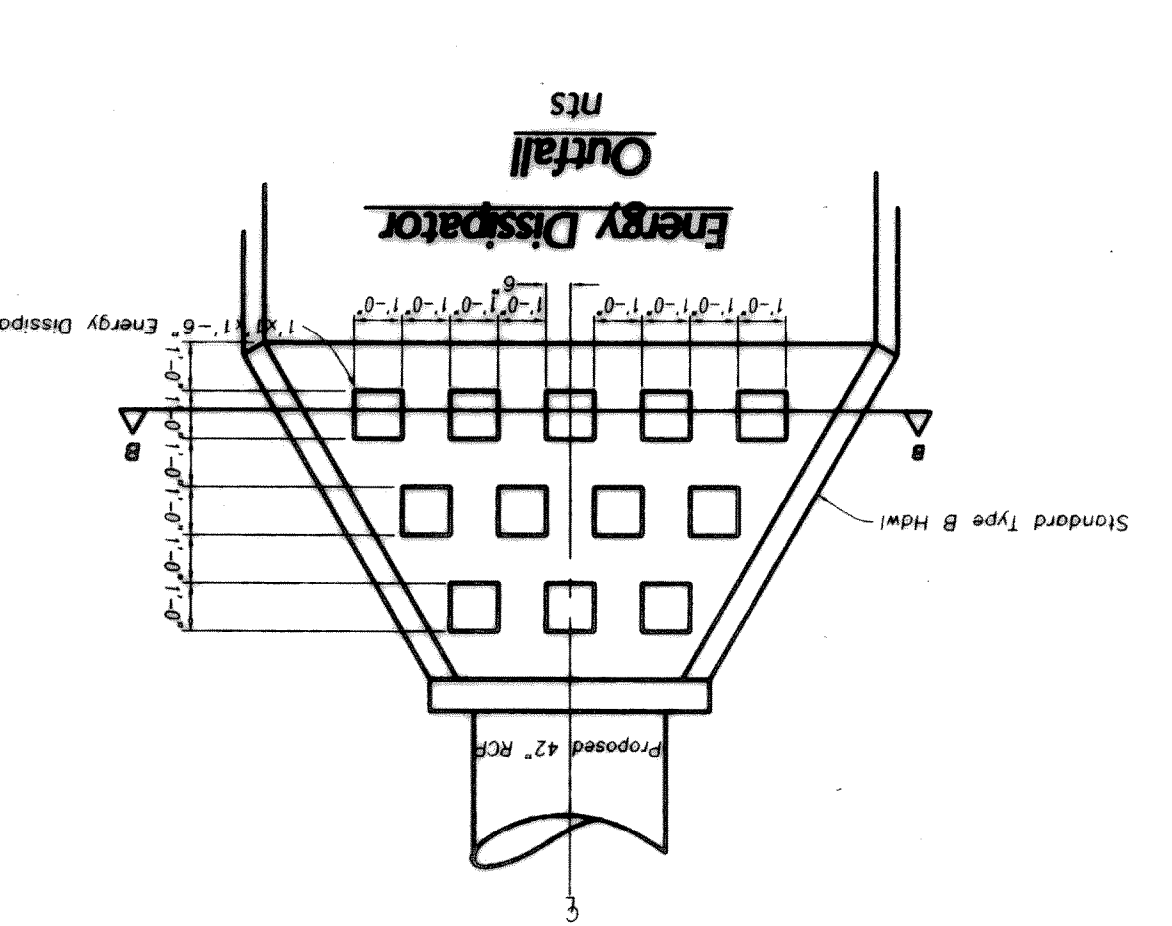
SECTION "B-B"



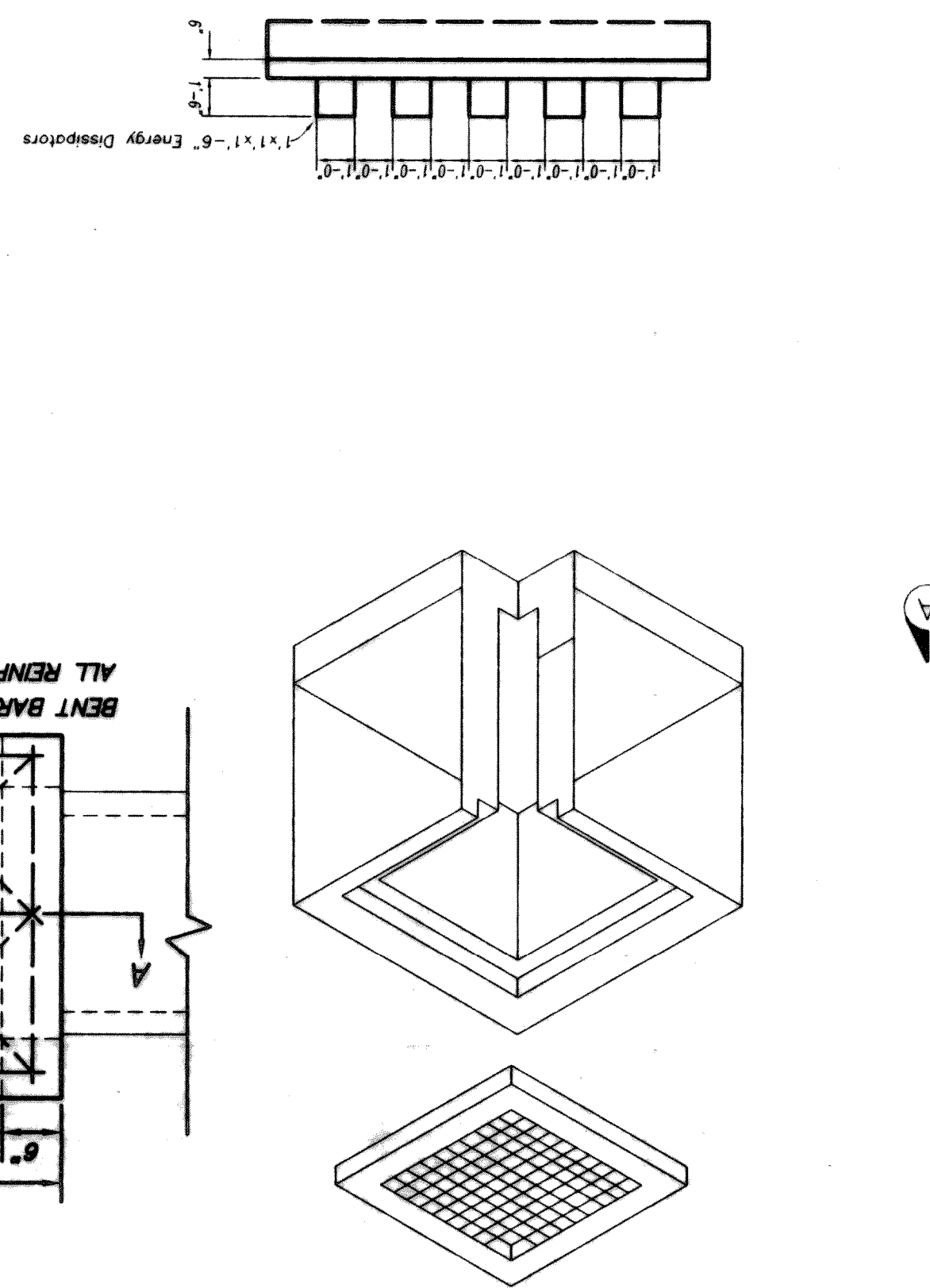
STORM SEWER JUNCTION BOX DETAIL



TYPE "ED" HEADWALL

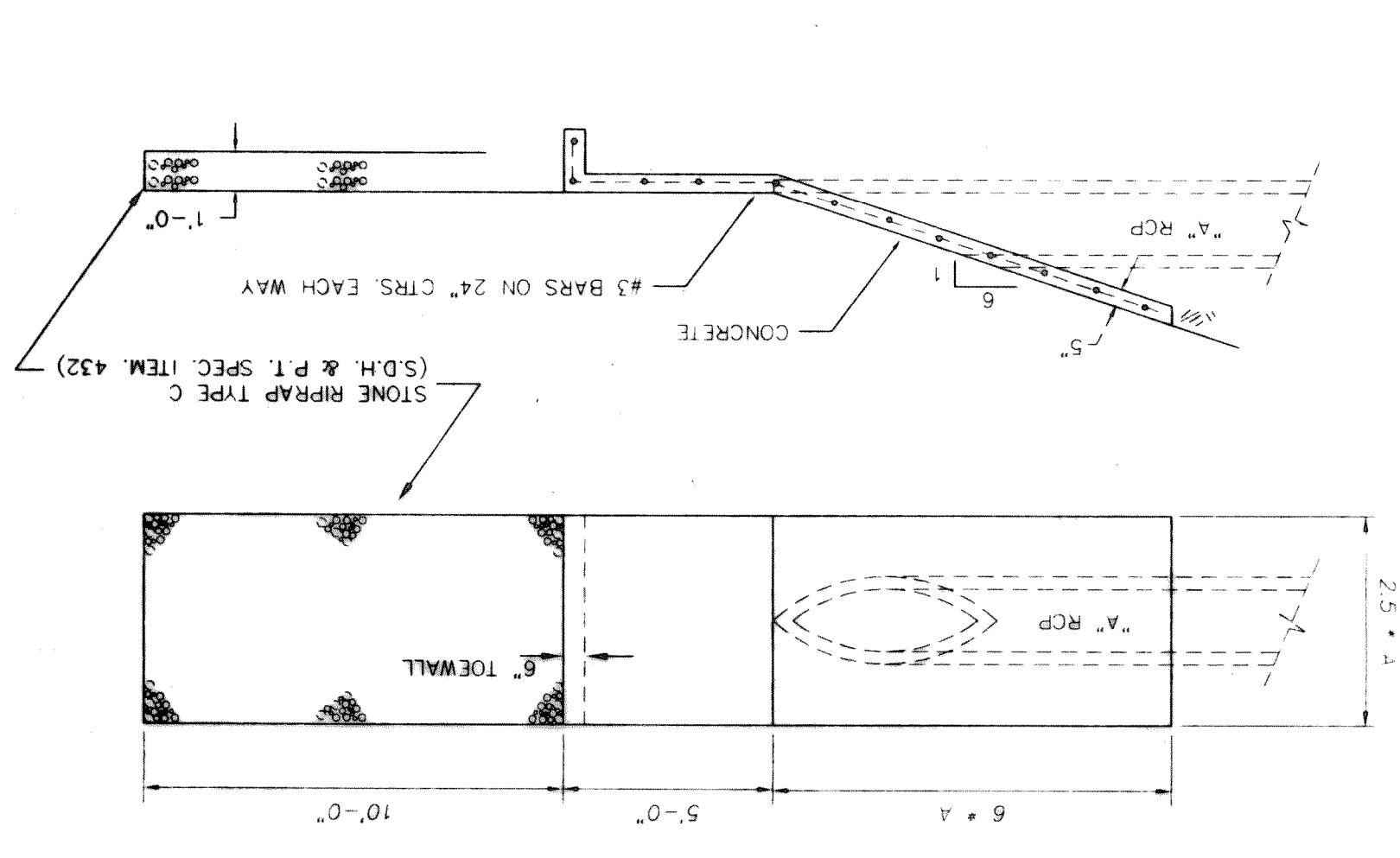


Section B-B

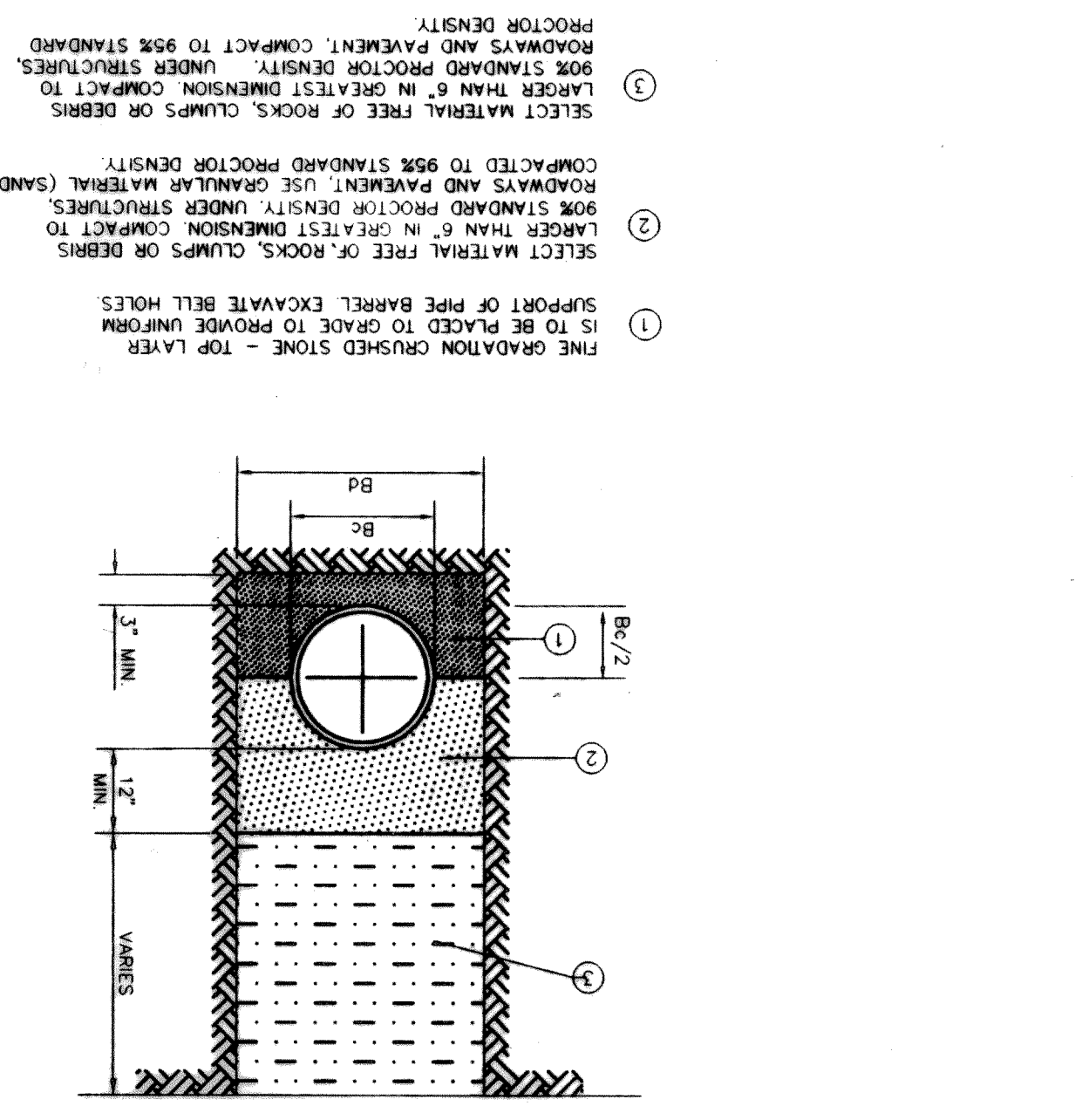


STORM SEWER DETAILS

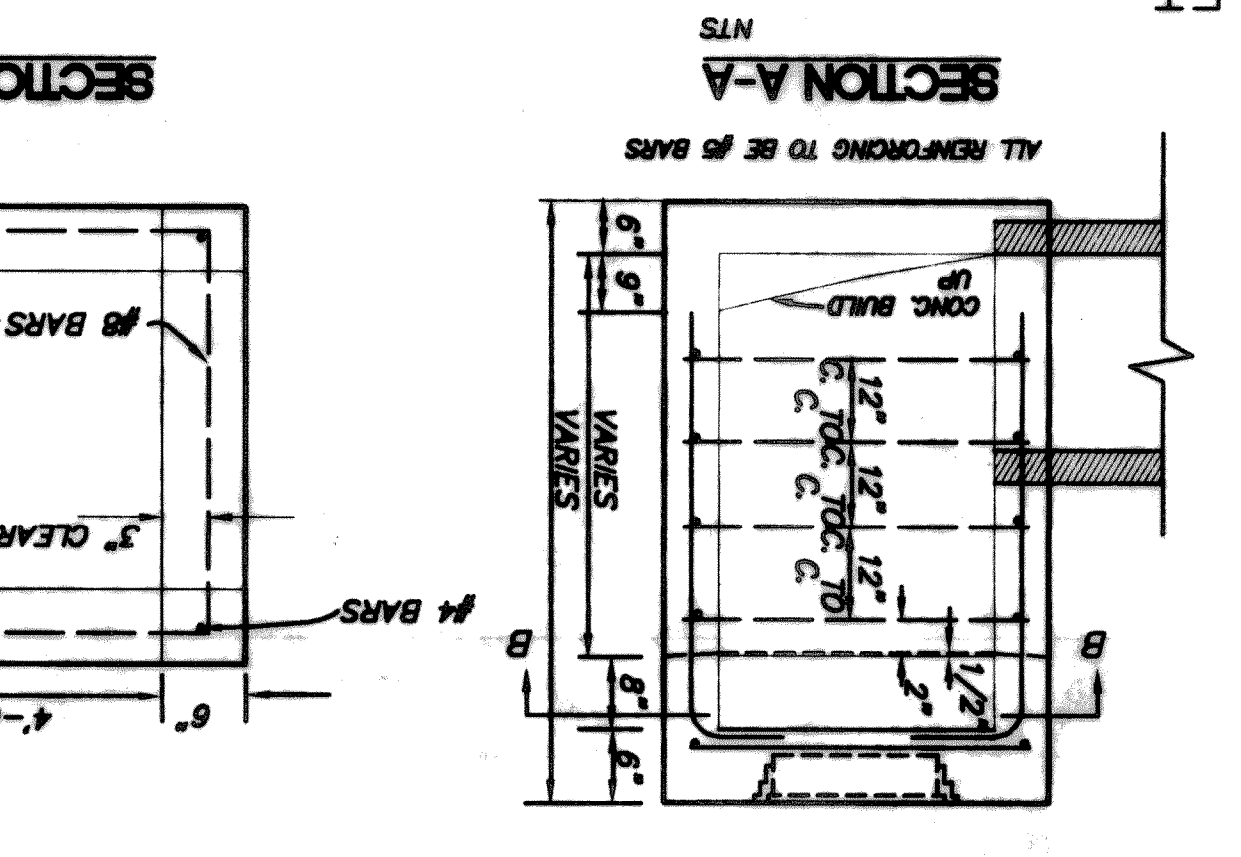
SLOPING HEADWALL DETAIL



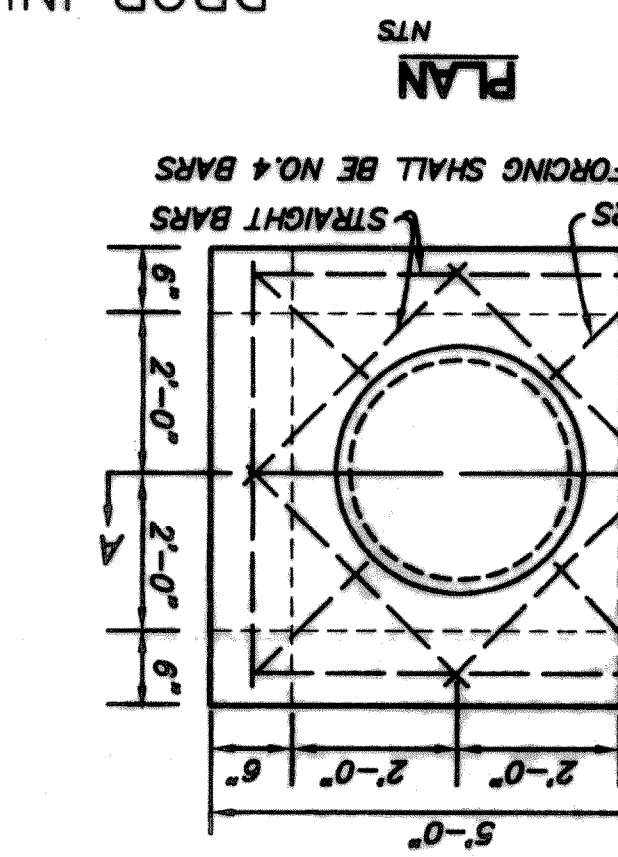
CLASS "B+" EMBEDMENT



DROP INLET

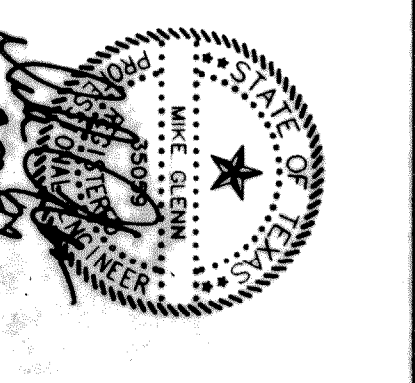


PLAN



SET NUMBER
OF 17
SHEET NUMBER
211
C

SHW Group Inc. Architects + Engineers



ROCKWALL I.S.D.
ROCKWALL HIGH SCHOOL PAVING IMPROVEMENTS
ROCKWALL L.S.D.
ROCKWALL, TEXAS

DATE JULY 7, 1998
DRAWN BY R. HOWMAN
CHECKED BY R. HOWMAN
RAH
SCALE NO. 0494453
REVISION AUGUST 19, 1998

GLENN ENGINEERING

PHONE 214-791-5151
FAX 214-791-4239
300 DECKER COURT - SUITE 200
IRVING, TEXAS 75062