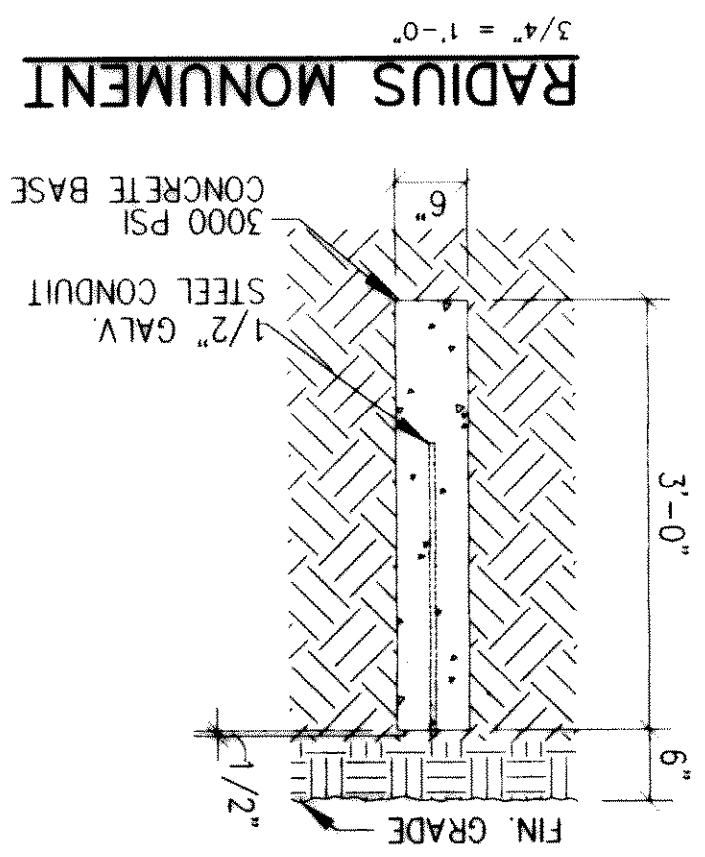
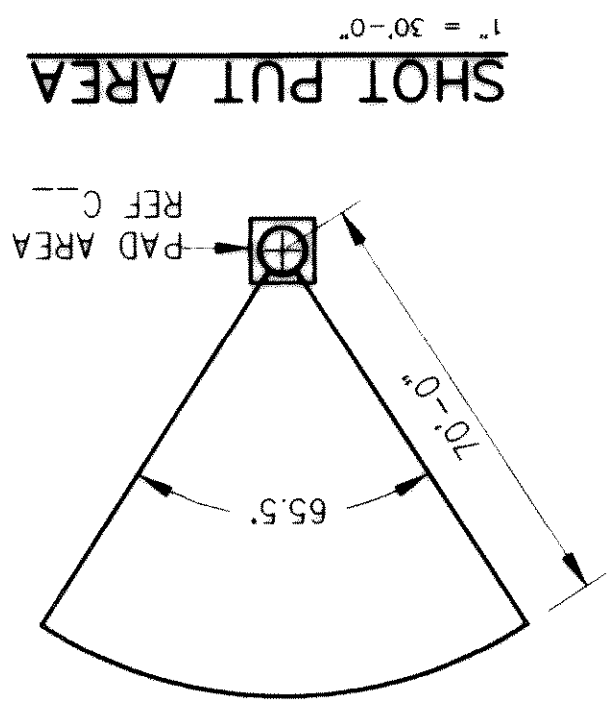


(PROVIDE 2 - LOCATIONS PER AREA)



**TRACK DETAILS**

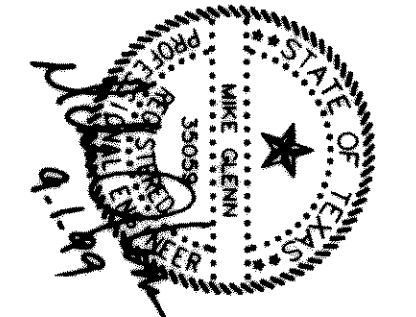
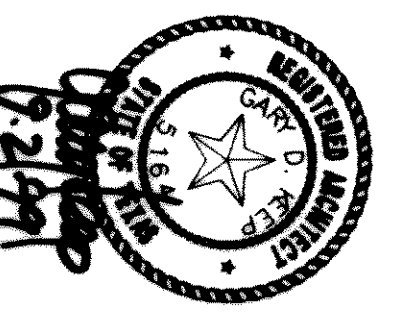
AS SHOWN


**GLENN ENGINEERING**  
 8000 WEST 17TH AVENUE  
 DENVER, CO 80202  
 PHONE 303-733-4400  
 FAX 303-733-4400  
 WWW.GLENN-ENG.COM

SHEET NUMBER  
**0**

OF 20  
**210**

**SJM Group Inc.**  
Architects + Engineers



**1999 SOCCER FIELD AND TRACK ADDITIONS TO  
 ROCKWALL HIGH SCHOOL  
 ROCKWALL INDEPENDENT SCHOOL DISTRICT  
 ROCKWALL,  
 TEXAS**

DATE: 31 AUG 1999  
 DRAWN BY: KKE  
 CHECKED: RAH  
 CADD: RAH  
 SCALE: AS SHOWN  
 1499-001