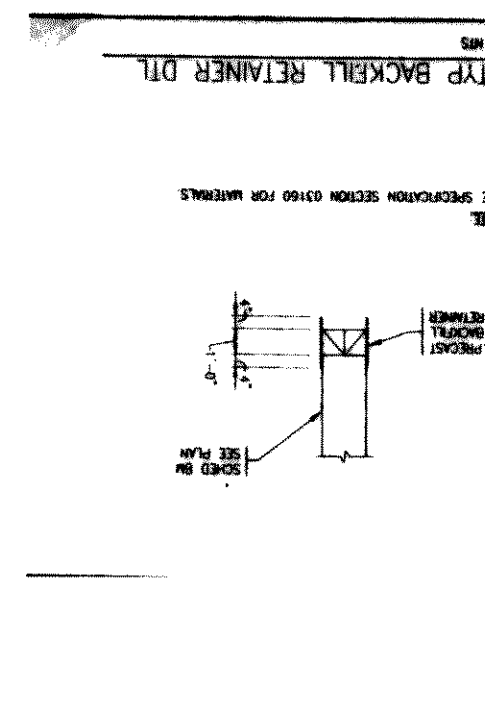
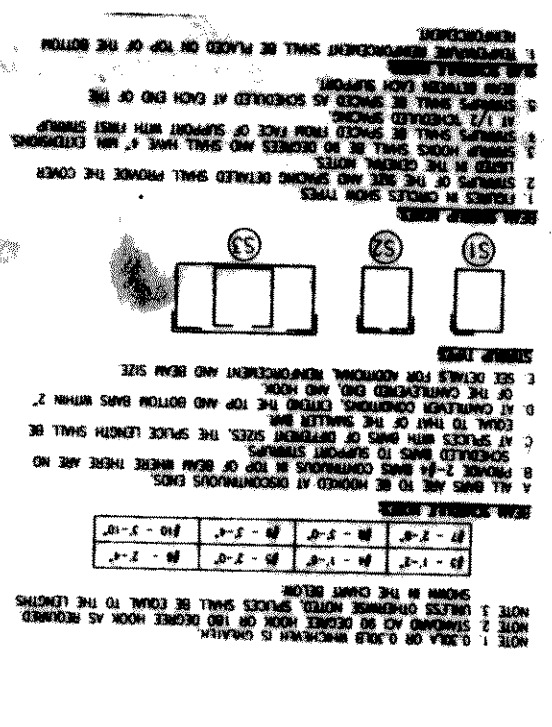


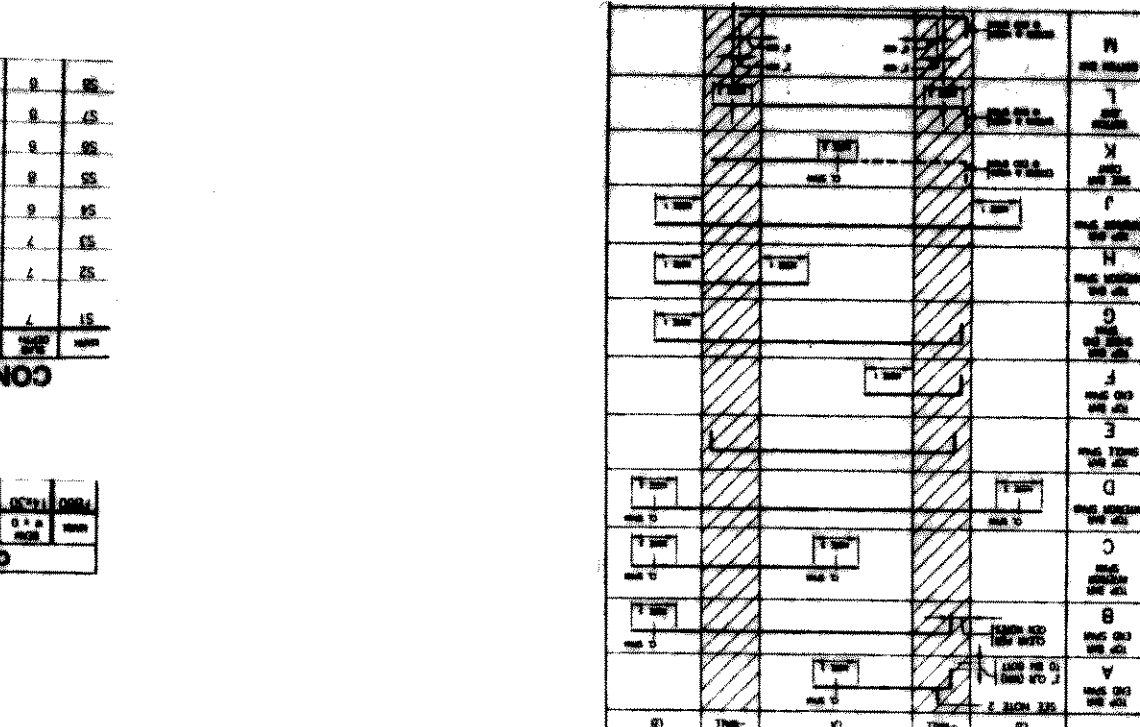
13 ROOF EDGE DETAIL
NTSC 2.18



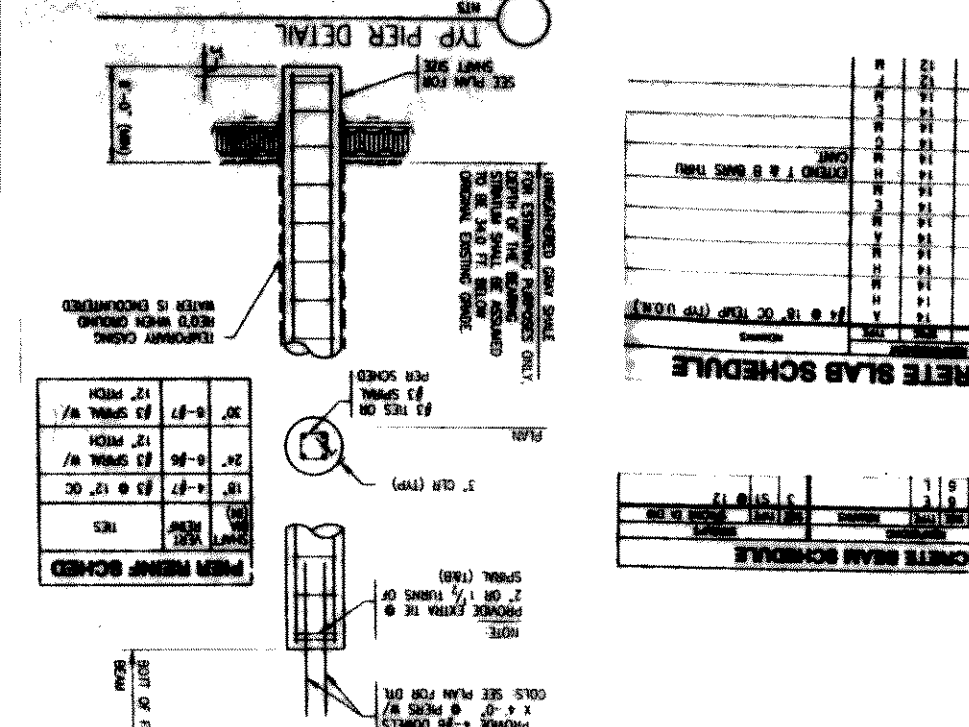
12 TYP. BACKFILL DETAIL
NTSC 2.18



11 SILL DETAIL
NTSC 2.18



10 JAMB DETAIL
NTSC 2.18

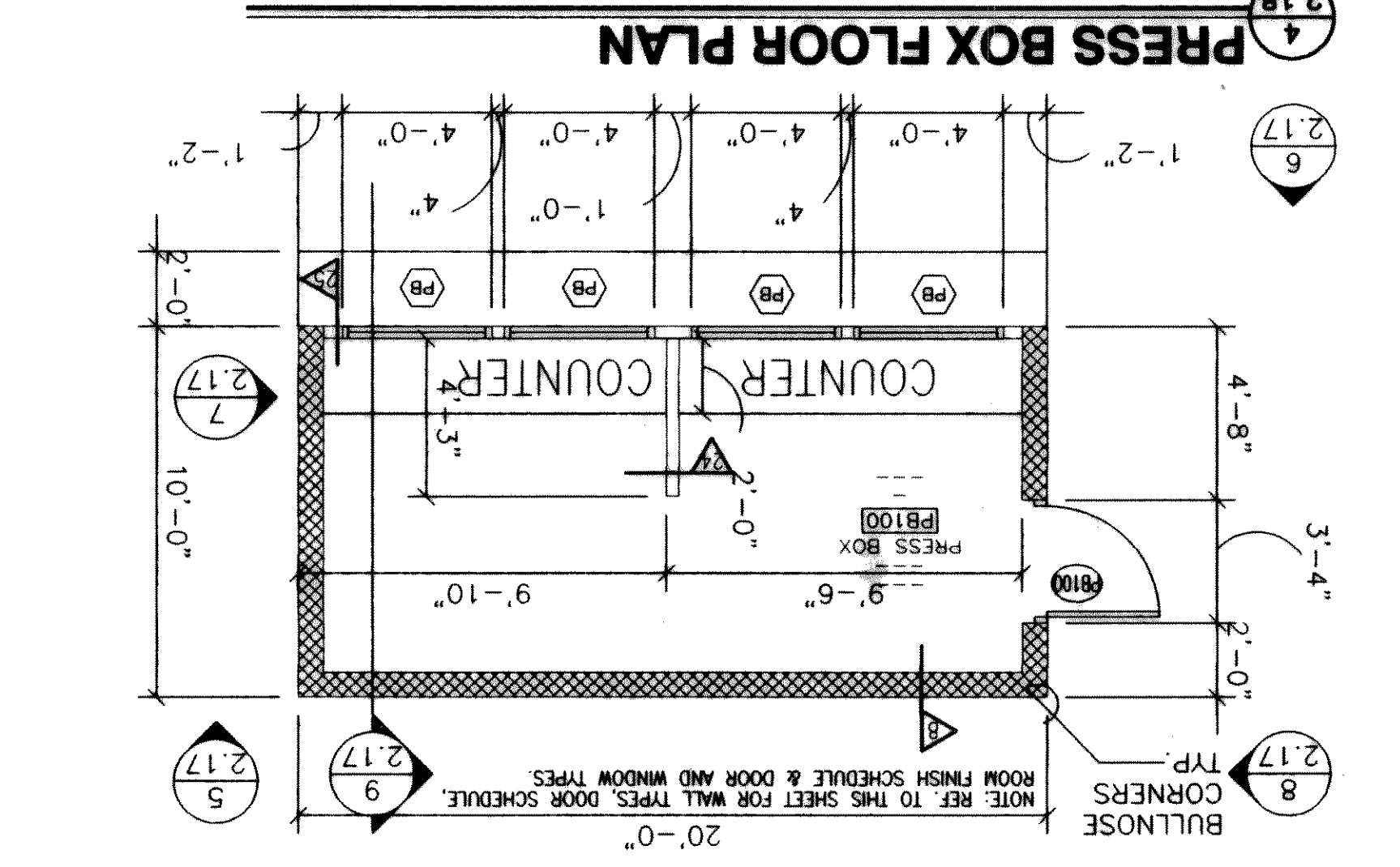
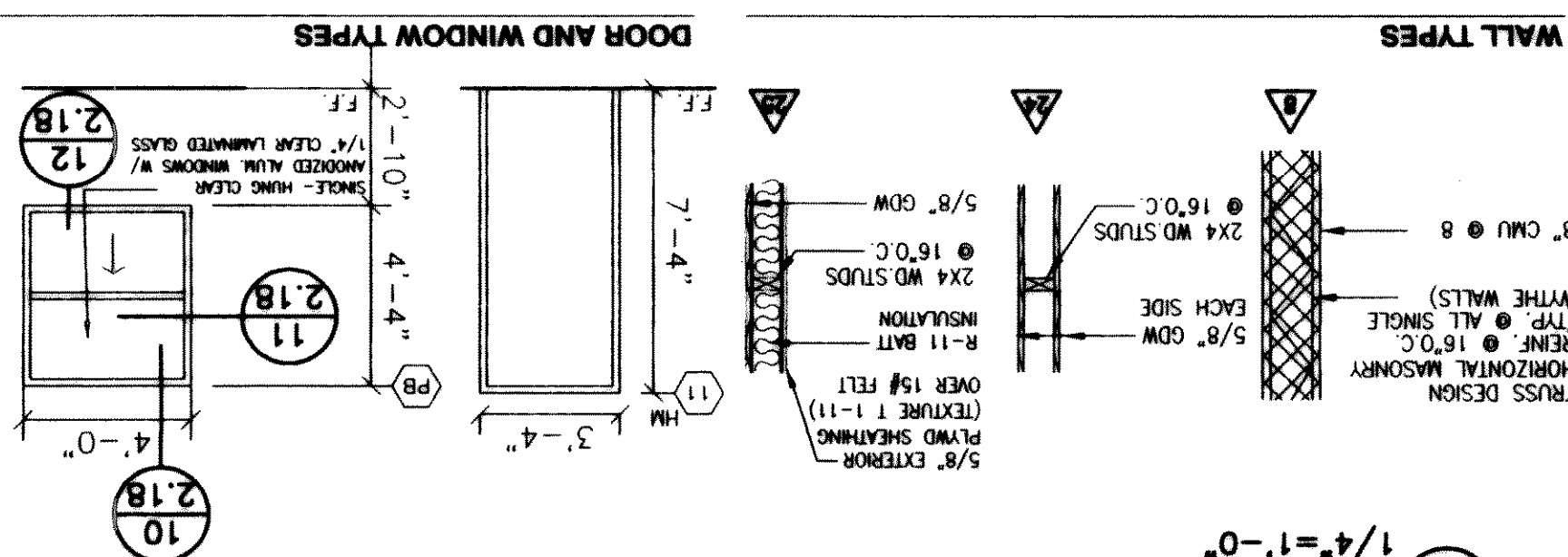


9 HEAD DETAIL
NTSC 2.18

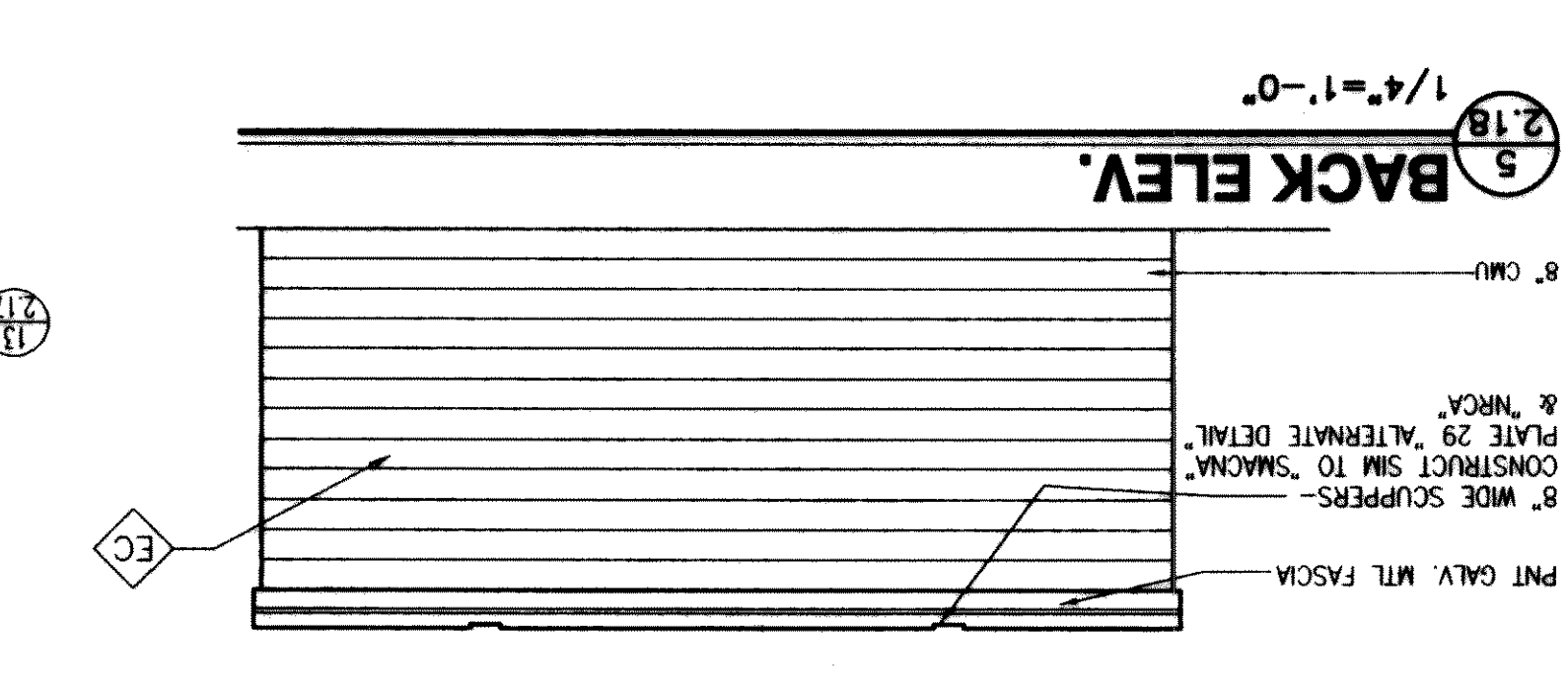
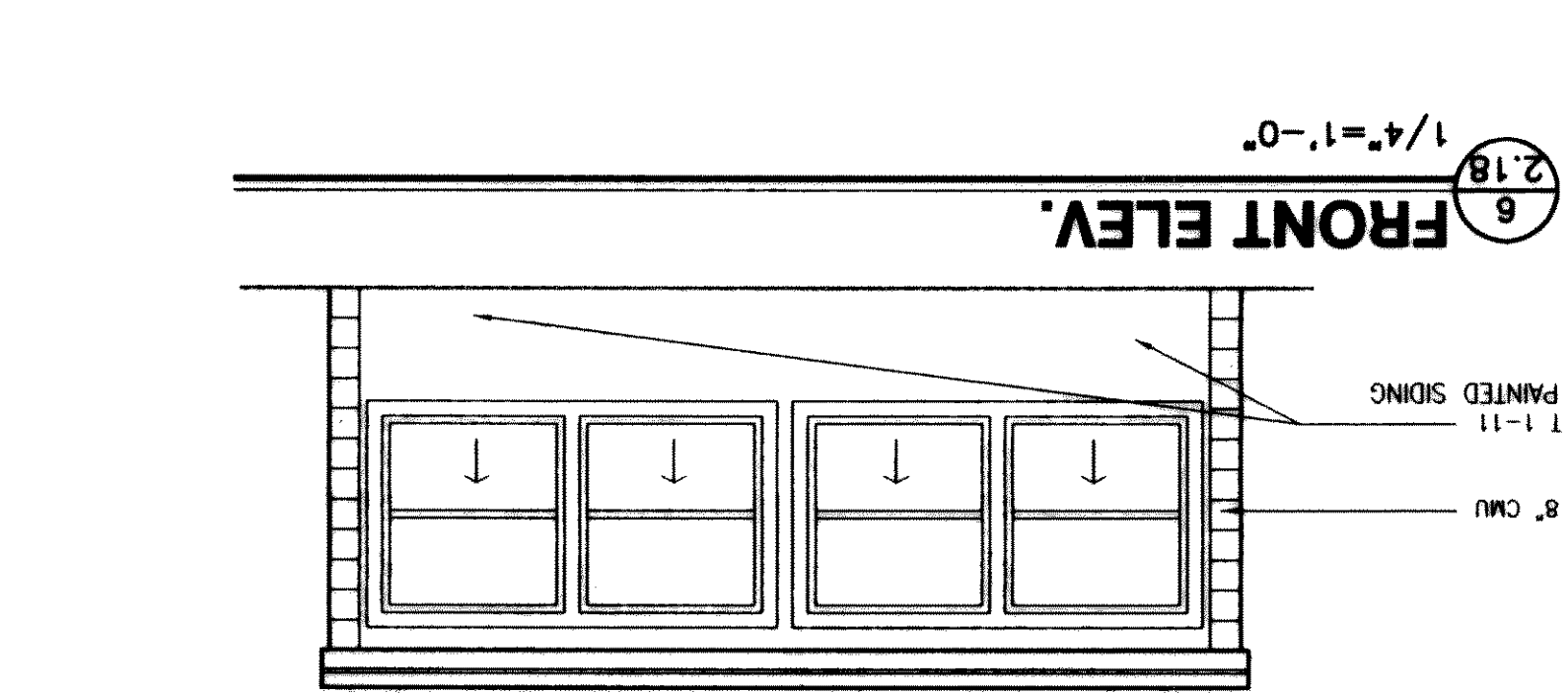
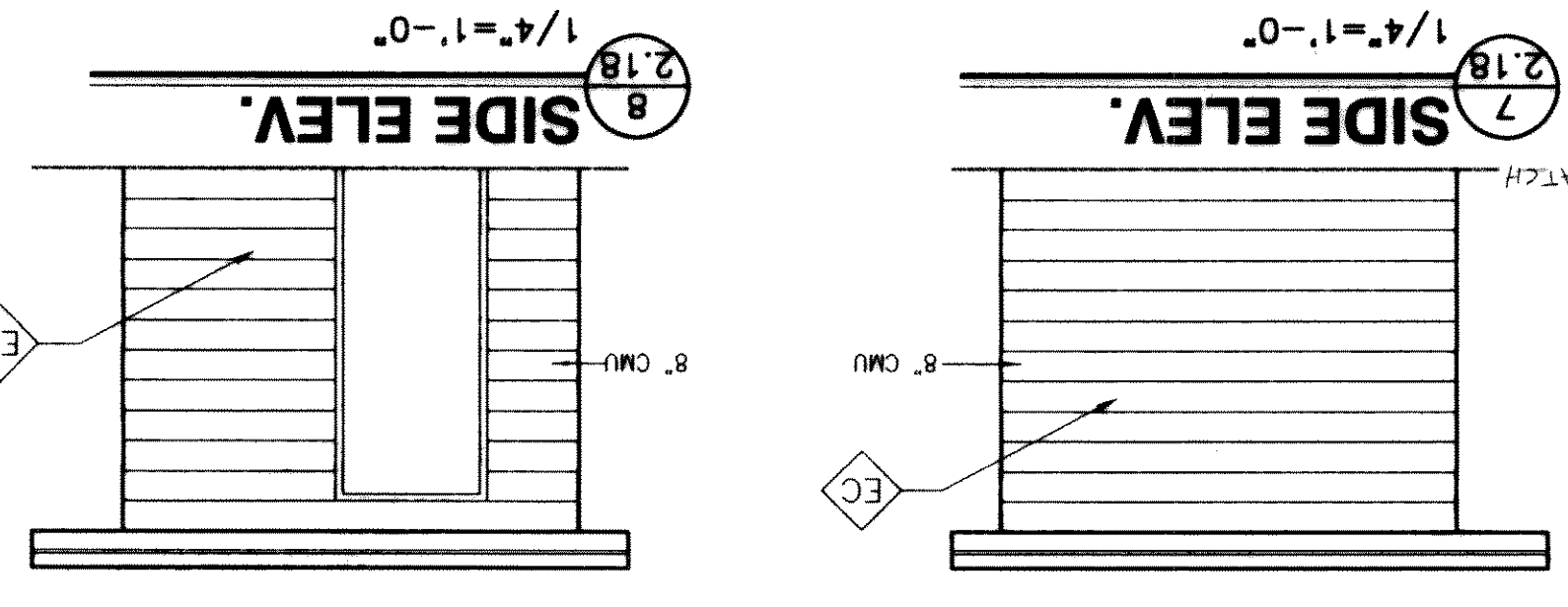
REF TO SHT. 7.0 FOR COLOR SCHEDULE
REF TO SHT. 2.4A FOR ADDITIONAL SCHEDULES

ROOM #	ROOM NAME	FLOOR	NORTH WALL	EAST WALL	SOUTH WALL	WEST WALL	CEILING	CEILING HT.	REMARKS
PB100	PRESS BOX		PAINT	PAINT	PAINT	PAINT	PAINT		
PB100	DOOR		TYPE	TYPE	TYPE	TYPE	TYPE	TYPE	REMARKS

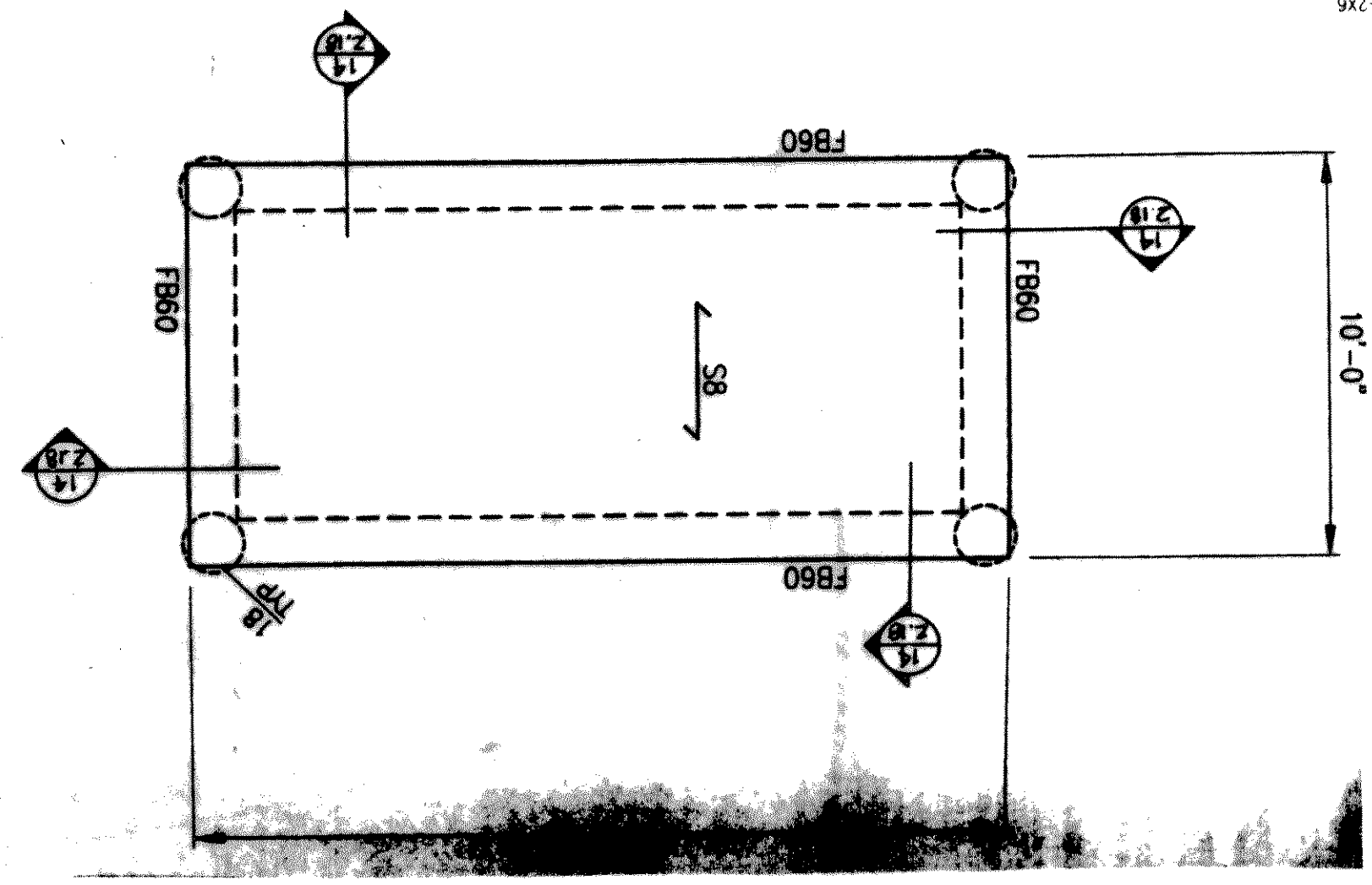
DOOR FINISH SCHEDULE AT PRESS BOX
DOOR # WIDTH x HEIGHT
PBR00 2'-0" x 7'-2"



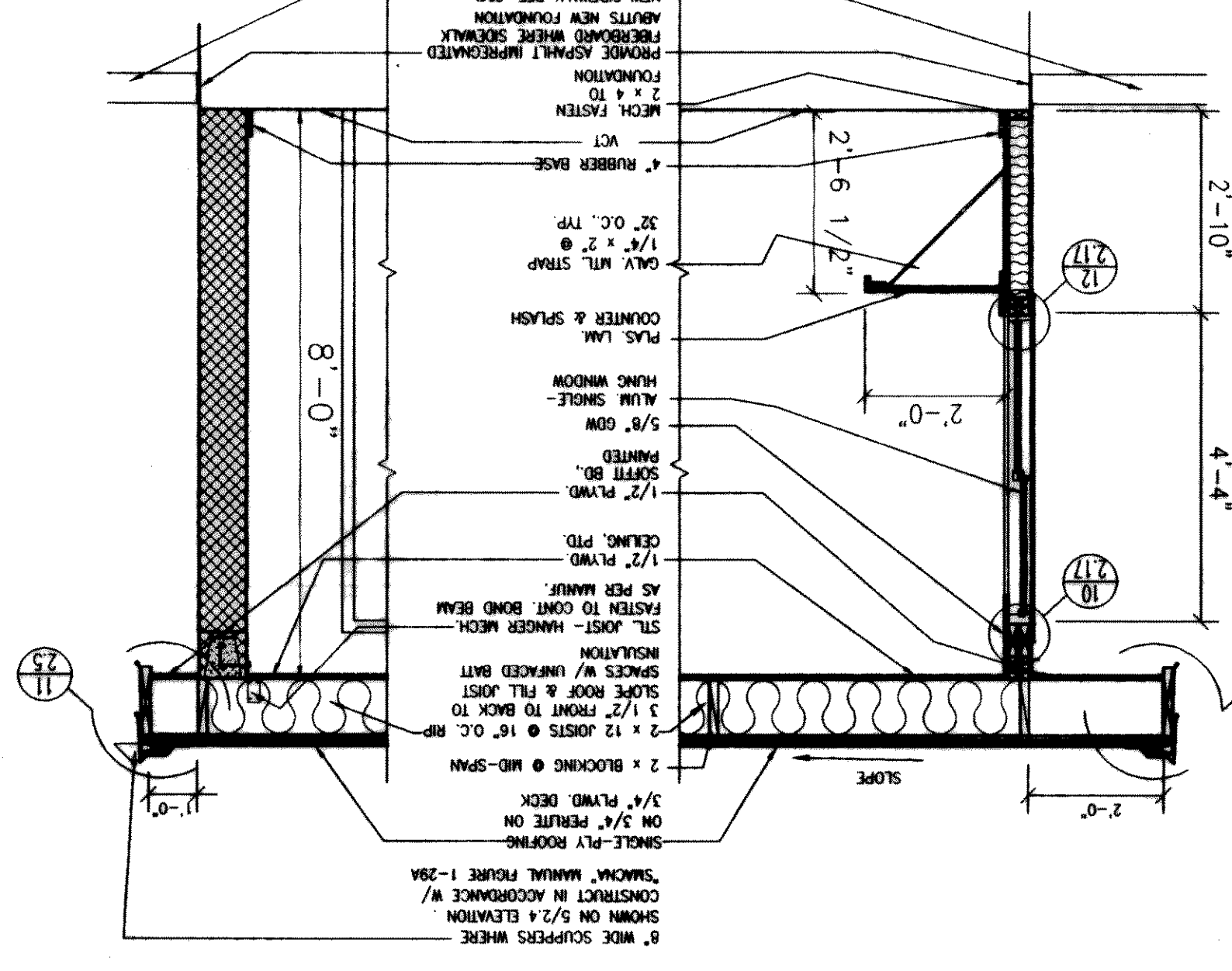
4 PRESS BOX FLOOR PLAN
NTSC 2.18



5 BACK ELEV.
6 FRONT ELEV.
7 SIDE ELEV.
8 SIDE ELEV.
NTSC 2.18



FOUNDATION PLAN - PRESS BOX
SC:1/4"=1'-1"



9 PRESS BOX BUILDING SECTION
NTSC 2.18

BAR BENDING DETAILS

NO.	DESCRIPTION	BAR SIZE	SPACING	START	END
1	TOP REINFORCING	#4	12"	0'-0"	10'-0"
2	BOTTOM REINFORCING	#4	12"	0'-0"	10'-0"

CONCRETE BEAM SCHEDULE

NO.	DESCRIPTION	SECTION	START	END
1	CONCRETE BEAM	1	0'-0"	10'-0"

CONCRETE SLAB SCHEDULE

NO.	DESCRIPTION	THICKNESS	START	END
1	CONCRETE SLAB	4"	0'-0"	10'-0"

TOP OF CONCRETE AT ELEVATION 100'-0" UNLESS OTHERWISE NOTED BY (+) OR (-).
SC:1/4"=1'-1"

GLENN ENGINEERING
1999 SOCCER FIELD AND TRACK ADDITIONS TO ROCKWALL HIGH SCHOOL
ROCKWALL INDEPENDENT SCHOOL DISTRICT
ROCKWALL, TEXAS

Professional Engineer Seal
Professional Engineer Seal

1999 SOCCER FIELD AND TRACK ADDITIONS TO ROCKWALL HIGH SCHOOL
ROCKWALL INDEPENDENT SCHOOL DISTRICT
ROCKWALL, TEXAS

DATE: 31 AUG 1999
DRAWN BY: KKE
CHECKED: RAH
SCALE: AS SHOWN