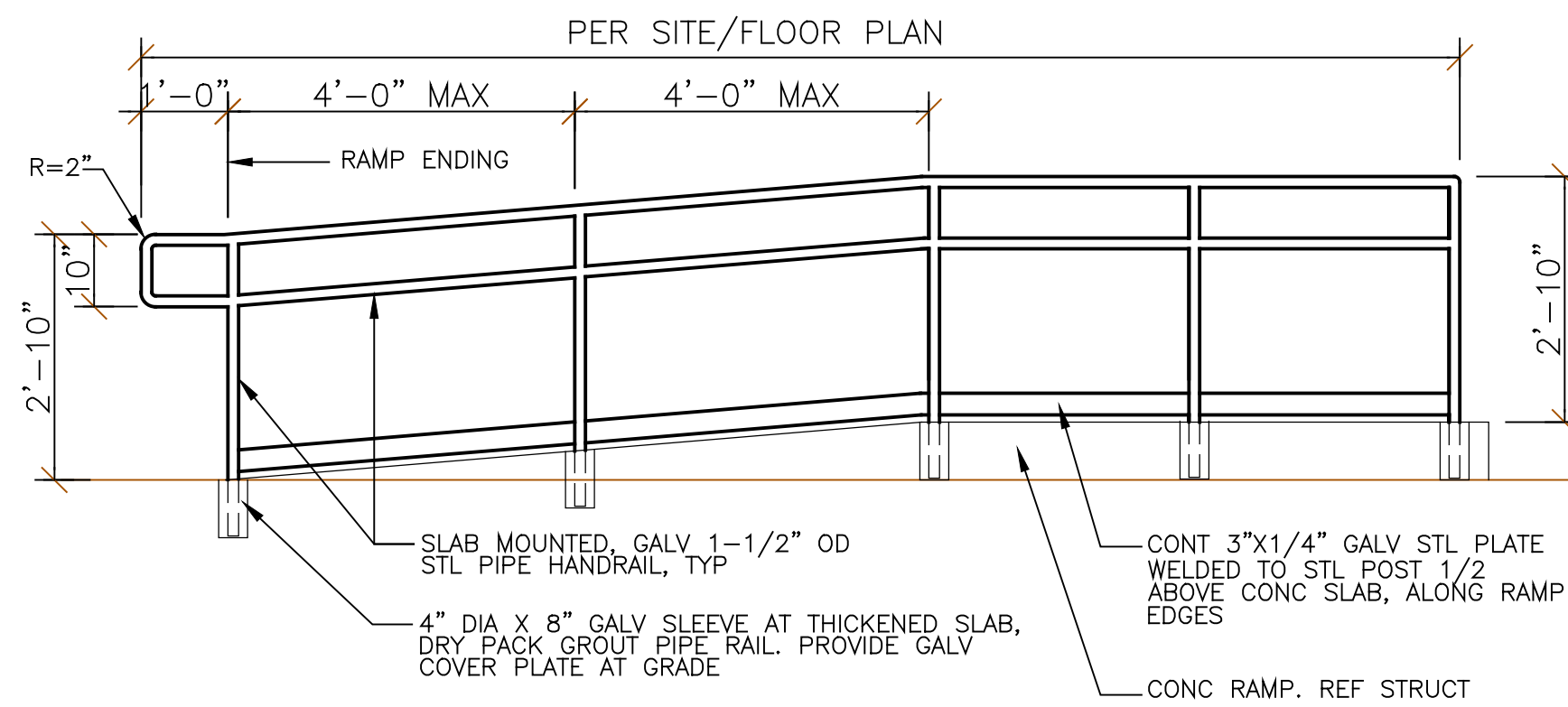
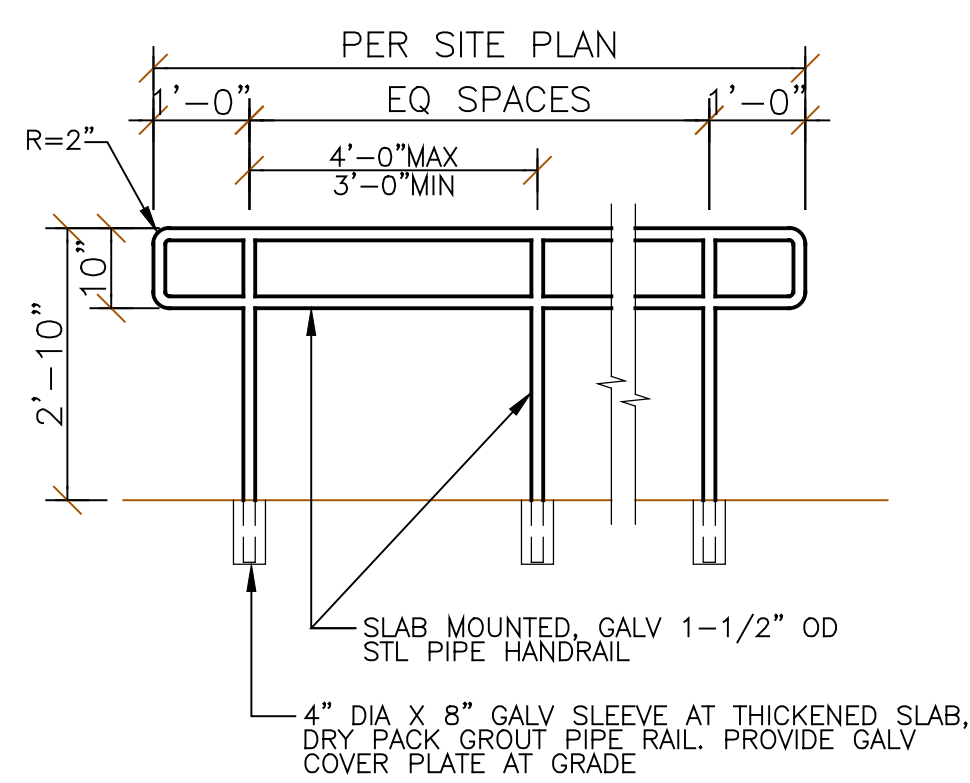


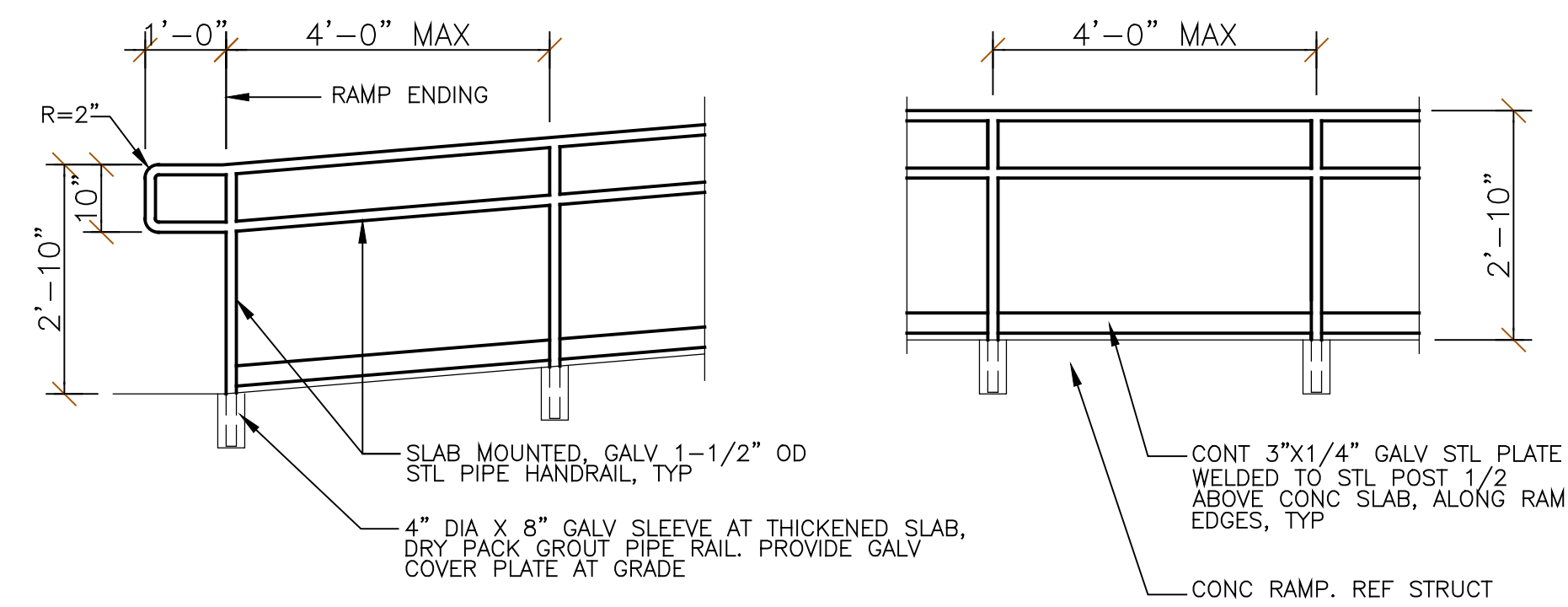
TYPICAL RAMP SECTION
Scale 1/2" = 1'-0"



X SITE RAMP - HANDRAIL DETAIL
1/2" = 1'-0"



X SITE HANDRAIL DETAIL
1/2" = 1'-0"



A1 TYP AT RAMP
1/2" = 1'-0"

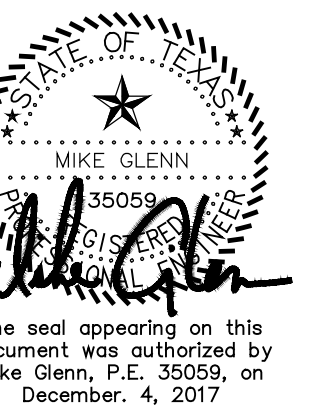
TYP AT LANDING

HANDRAIL DETAILS

ADDENDUM #1
PC - REMOVE STORM FLUME AND PARKING
PC - REMOVED STORM SEWER

Revision /	Date
1	11/22/2016
2	09/11/2017
3	12/04/2017

Project:
ROCKWALL HIGH SCHOOL RENOVATIONS
FOR
ROCKWALL HIGH SCHOOL
ROCKWALL I.S.D.
901 YELLOW JACKET LN, ROCKWALL, TX 75087



RECORD DRAWING
This is to certify that changes and corrections have been made to conform to the contractor's record of this project.
Signed: *Mike Glenn* Date: March 28, 2018
Glenn Engineering Corporation

Huckabee
HOUSTON • DALLAS • FORT WORTH • HOUSTON • WACO
www.huckabee-inc.com
800.687.1229

GLENN ENGINEERING
TEXAS REGISTRATION NUMBER: F-303
PHONE 972-717-5151 FAX 972-717-2176
105 DECKER COURT, SUITE 910
IRVING, TEXAS 75062

RAMP DETAILS
100% CD VOLUME
Job No. 1738-02-01 Sheet No. CS
Drawn By: RAH
Date: 12-03-2016
1.4