

**GENERAL SILT FENCE NOTES**

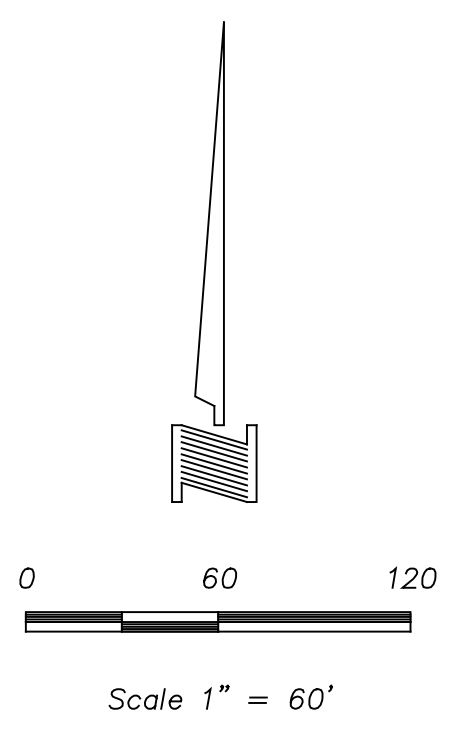
1. STEEL POSTS WHICH SUPPORT THE SILT FENCE SHALL BE INSTALLED ON A SLIGHT ANGLE TOWARD THE ANTICIPATED RUNOFF SOURCE. POST MUST BE EMBEDDED A MINIMUM OF 1 FOOT.
2. THE TOE OF THE SILT FENCE SHALL BE TRENCHED IN WITH A SPADE OR MECHANICAL TRENCHER, SO THAT THE DOWNSLOPE FACE OF THE TRENCH IS FLAT AND PERPENDICULAR TO THE LINE OF FLOW. WHERE FENCE CANNOT BE TRENCHED (e.g. PAVEMENT), WEIGHT FABRIC FLAP WITH WASHED GRAVEL ON UPHILL SIDE TO PREVENT FLOW UNDER FENCE.
3. THE TRENCH MUST BE A MINIMUM OF 6 INCHES DEEP AND 6 INCHES WIDE TO ALLOW FOR THE SILT FENCE FABRIC TO BE LAID IN THE GROUND AND BACKFILLED WITH COMPACTED MATERIAL.
4. SILT FENCE SHOULD BE SECURELY FASTENED TO EACH STEEL SUPPORT POST OR TO WOVEN WIRE WHICH IS IN TURN ATTACHED TO THE STEEL FENCE POST. THERE SHALL BE A 6 INCH DOUBLE OVERLAP, SECURELY FASTENED WHERE ENDS OF FABRIC MEET.
6. INSPECTION SHALL BE REMOVED WHEN THE SITE IS COMPLETELY STABILIZED SO AS NOT TO BLOCK OR IMPEDE STORM FLOW OR DRAINAGE.
7. ACCUMULATED SILT SHALL BE REMOVED WHEN IT REACHES A DEPTH OF 6 INCHES. THE SILT SHALL BE DISPOSED OF IN AN APPROVED SITE AND IN SUCH A MANNER AS TO NOT CONTRIBUTE TO ADDITIONAL SILTATION.

**GENERAL EROSION CONTROL NOTES**

1. CONTRACTOR SHALL CONTROL MUD ACCUMULATION ON ALL STREETS SURROUNDING THE PROJECT. NO MUD ACCUMULATION WILL BE ALLOWED IN PUBLIC STREETS.
2. MAINTAIN ALL FILTERS DURING CONSTRUCTION TO PREVENT ANY BLOCKAGES FROM ACCUMULATED SEDIMENT. ADDITIONAL HAY BALES MAY BE REQUIRED DURING CONSTRUCTION AS SPECIFIED BY ENGINEER OR CITY INSPECTOR.
3. ALL PROPOSED PARKING AREAS TO BE PAVED AS SOON AS POSSIBLE AFTER SUBGRADE IS PREPARED.
4. CONTRACTOR SHALL REMOVE ALL TEMPORARY EROSION AND SEDIMENT CONTROLS ONLY WHEN THERE IS A SUFFICIENT GROWTH OF GRASS COVER TO PREVENT FURTHER EROSION.
5. PROJECT WILL NOT BE ACCEPTED UNTIL 75%-80% OF ALL DISTURBED AREAS HAVE A MINIMUM OF 1" STAND OF GRASS ESTABLISHED.

**GENERAL STABILIZED CONST ENTRANCE NOTES**

1. STONE SIZE - 4 TO 6 INCHES CRUSHED ROCK, (NO CRUSHED CONCRETE)
2. LENGTH - AS EFFECTIVE, BUT NOT LESS THAN 30 FEET, UNLESS DEPTH OF LOT IS LESS THAN 150 FEET FROM EDGE OF PAVEMENT WHERE LENGTH MUST ONLY BE 30 FEET.
3. THICKNESS - NOT LESS THAN 12 INCHES.
4. WIDTH - NOT LESS THAN FULL WIDTH OF ALL POINTS OF INGRESS OR EGRESS.
5. WASHING - WHEN NECESSARY, WHEELS SHALL BE CLEANED TO REMOVE SEDIMENT PRIOR TO ENTRANCE ONTO PUBLIC ROADWAY. WHEN WASHING IS REQUIRED, IT SHALL BE DONE ON AN AREA STABILIZED WITH CRUSHED STONE WHICH DRAINS INTO AN APPROVED TRAP OR SEDIMENT BASIN. ALL SEDIMENT SHALL BE PREVENTED FROM ENTERING ANY STORM DRAIN, DITCH OR WATERCOURSE USING APPROVED METHODS.
6. MAINTENANCE - THE ENTRANCE SHALL BE MAINTAINED IN CONDITION WHICH WILL PREVENT TRACKING OR FLOWING OF SEDIMENT ONTO PUBLIC ROADWAYS. THIS MAY REQUIRE PERIODIC TOP DRESSING WITH ADDITIONAL STONE AS CONDITIONS DEMAND, AND REPAIR AND/OR CLEANOUT OF ANY MEASURES USED TO TRAP SEDIMENT. ALL SEDIMENT SPILLED, DROPPED, WASHED OR TRACKED ONTO PUBLIC ROADWAY, MUST BE REMOVED IMMEDIATELY.
7. DRAINAGE - ENTRANCE MUST BE PROPERLY GRADED OR INCORPORATE A DRAINAGE SWALE TO PREVENT RUNOFF FROM LEAVING THE CONSTRUCTION SITE.
7. CONTRACTOR TO COORDINATE EXACT LOCATION.



**NOTE:** SEE SEDIMENT CONTROL DETAIL SHEET

**LEGEND**

- [Symbol] = INSTALL SILT FENCE
- [Symbol] = INSTALL ROCK CHECK DAM
- [Symbol] = INSTALL CURB INLET PROTECTION
- [Symbol] = INSTALL AREA DRAIN INLET PROTECTION
- [Symbol] = INSTALL SEDIMENT POND AT CURB INLET, WYE INLET OR AREA DRAIN

**RECORD DRAWING**

This is to certify that changes and corrections have been made to conform to the contractor's record of this project.

Signed: *Mike Glenn* Date: March 28, 2018  
 Glenn Engineering Corporation

**GLENN ENGINEERING**

TEXAS REGISTRATION NUMBER: F-303  
 PHONE 972-717-5151 FAX 972-717-2176  
 105 DECKER COURT, SUITE 910  
 IRVING, TEXAS 75062

ADDENDUM #1  
PC - REMOVE STORM FLUME AND PARKING  
PC - REMOVED STORM SEWER

Date	11/22/2016
Revision /	09/11/2017
	12/04/2017
Revision /	1
	2
	3

Project: **ROCKWALL HIGH SCHOOL RENOVATIONS FOR ROCKWALL HIGH SCHOOL ROCKWALL I.S.D. 901 YELLOW JACKET LN, ROCKWALL, TX 75087**

The seal appearing on this document was authorized by Mike Glenn, P.E. 35089, on December 4, 2017.

**Huckabee**

ASTORIA - DALLAS - FORT WORTH - HOUSTON - WACO  
 www.huckabee-inc.com  
 800.687.2229

**S.W.P.P PLAN**

100% CD	VOLUME
Job No. 1738-02-01	Sheet No. CG 1.2
Drawn By: RAH	Date: 12-03-2016

Plotted: Apr 20, 2018, 9:56 AM by user: robert. Saved: 4/20/2018 by user: robert. D:\Public\Bob's Projects\Rockwall\High-School\2016 WALL REPAIR\SET1\2016 ROCKWALL-HS ENG5 REV STORM FLUME.dwg