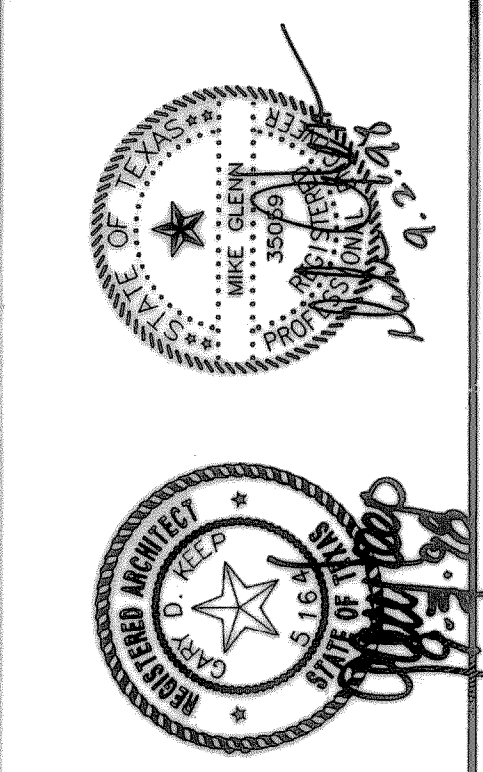


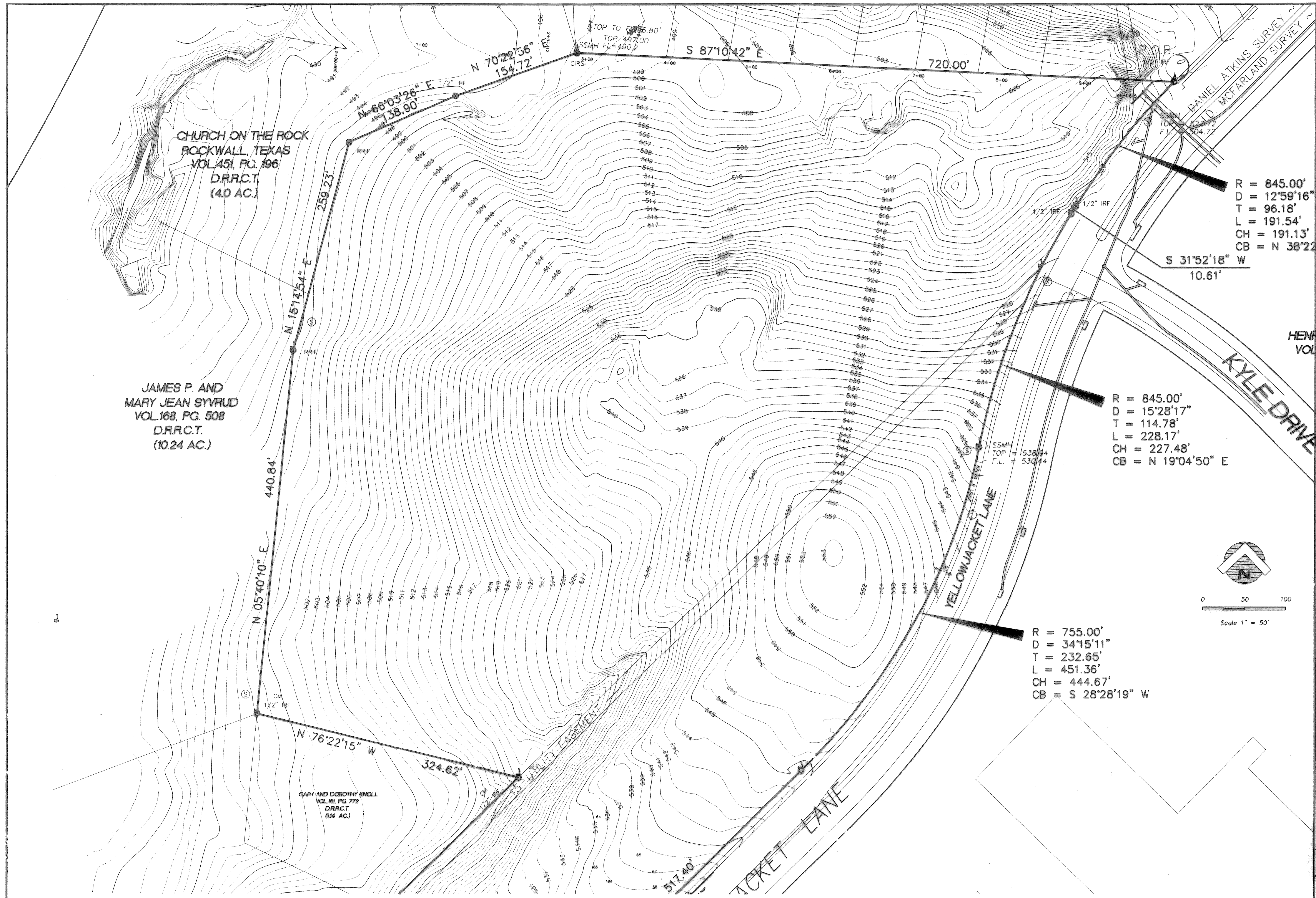
DATE 01 Sept 98  
 DRAWN BY JTW  
 CHECKED RAH  
 COAH NO 1498416  
 REVISED

**ROCKWALL HIGH SCHOOL ADDITIONS**  
**ROCKWALL INDEPENDENT SCHOOL DISTRICT**  
**ROCKWALL, TEXAS**



**SHW Group Inc.**  
 Architects + Engineers

SHEET NUMBER C  
 OF 29  
 SET NUMBER 2.0



CHURCH ON THE ROCK  
 ROCKWALL, TEXAS  
 VOL.451, PG. 196  
 D.R.R.C.T.  
 (40 AC.)

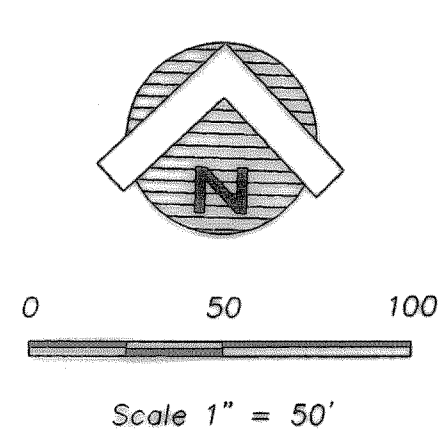
JAMES P. AND  
 MARY JEAN SYVRUD  
 VOL.168, PG. 508  
 D.R.R.C.T.  
 (10.24 AC.)

GARY AND DOROTHY KNOLL  
 VOL.161, PG. 772  
 D.R.R.C.T.  
 (114 AC.)

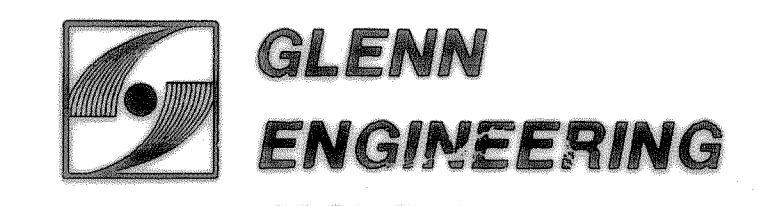
R = 845.00'  
 D = 12°59'16"  
 T = 96.18'  
 L = 191.54'  
 CH = 191.13'  
 CB = N 38°22'  
 S 31°52'18" W  
 10.61'

R = 845.00'  
 D = 15°28'17"  
 T = 114.78'  
 L = 228.17'  
 CH = 227.48'  
 CB = N 19°04'50" E

R = 755.00'  
 D = 34°15'11"  
 T = 232.65'  
 L = 451.36'  
 CH = 444.67'  
 CB = S 28°28'19" W



**TOPOGRAPHIC SURVEY**  
 SCALE: 1"=50'  
 ( THIS SHEET FOR REFERENCE ONLY )



PHONE 214-770-4161 FAX 214-770-4229  
 100 DECKER COURT - SUITE 250 IRVING, TEXAS 75062