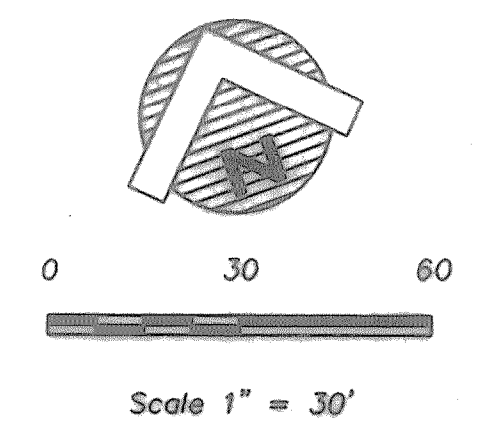
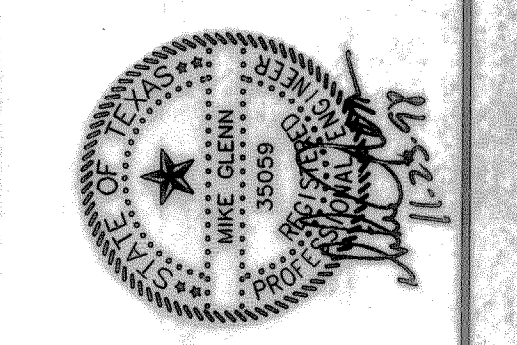


- GENERAL GRADING AND DRAINAGE NOTES
1. ALL CONSTRUCTION TO BE IN ACCORDANCE WITH THESE PLANS AND CITY OF ROCKWALL STANDARDS AND SPECIFICATIONS.
  2. PRIOR TO STARTING CONSTRUCTION, THE CONTRACTOR SHALL MAKE CERTAIN THAT ALL REQUIRED PERMITS AND APPROVALS HAVE BEEN OBTAINED. NO CONSTRUCTION OR FABRICATION SHALL BEGIN UNTIL THE CONTRACTOR HAS RECEIVED AND THOROUGHLY REVIEWED ALL PLANS AND OTHER DOCUMENTS APPROVED BY ALL OF THE PERMITTING AGENCIES.
  3. ALL WORK SHALL BE PERFORMED IN ACCORDANCE WITH THESE PLANS AND SPECIFICATIONS, AND THE REQUIREMENTS AND STANDARDS OF THE LOCAL GOVERNING AUTHORITY.
  4. IN THE EVENT AN ITEM IS NOT COVERED IN THE CITY OF ROCKWALL SPECIFICATIONS, THE CITY ENGINEER'S DECISION SHALL APPLY.
  5. BARRICADING, TRAFFIC CONTROL, AND PROJECT SIGNS SHALL CONFORM TO STATE DEPARTMENT OF HIGHWAYS AND PUBLIC TRANSPORTATION BARRICADING AND CONSTRUCTION STANDARDS.
  6. THE GENERAL CONTRACTOR AND ALL SUB-CONTRACTORS SHALL VERIFY THE SUITABILITY OF ALL EXISTING AND PROPOSED SITE CONDITIONS INCLUDING GRADES AND DIMENSIONS BEFORE COMMENCEMENT OF ANY CONSTRUCTION. IN THE EVENT OF ANY CONFLICT AND PRIOR TO COMMENCEMENT OF ANY CONSTRUCTION, IMMEDIATELY NOTIFY ENGINEER. MINOR ADJUSTMENTS OF FINISH GRADE TO ACCOMPLISH SPOT DRAINAGE ARE ACCEPTABLE, IF NECESSARY, UPON PRIOR APPROVAL OF ENGINEER. PAVING INSTALLED SHALL 'FLUSH OUT' AT ANY JUNCTURE WITH EXISTING PAVING.
  7. THE LOCATIONS OF UNDERGROUND UTILITIES SHOWN ON THIS PLAN ARE BASED ON FIELD SURVEYS AND LOCAL UTILITY COMPANY RECORDS. IT SHALL BE THE CONTRACTOR'S FULL RESPONSIBILITY TO CONTACT THE VARIOUS UTILITY COMPANIES TO LOCATE THEIR UTILITIES PRIOR TO STARTING CONSTRUCTION.
  8. CONTRACTOR SHALL VERIFY ALL EXISTING INVERTS AND RIM ELEVATIONS PRIOR TO CONSTRUCTION.
  9. ALL PROPOSED CONTOURS ARE APPROXIMATE. PROPOSED SPOT ELEVATIONS AND DESIGNATED GRADIENT ARE TO BE USED IN THE EVENT OF ANY DISCREPANCIES.
  10. IT IS THE CONTRACTOR'S RESPONSIBILITY TO LOCATE AND/OR ESTABLISH A BENCHMARK (BASE UPON EXISTING CONDITION SHOWN ON THIS PLAN) PRIOR TO CONSTRUCTION.



**ROCKWALL HIGH SCHOOL ADDITIONS**  
**ROCKWALL INDEPENDENT SCHOOL DISTRICT**  
**ROCKWALL, TEXAS**



**GRADING PLAN**  
**MULTIPURPOSE BUILDING**  
 SCALE: 1"=30'

**GLENN ENGINEERING**  
 PHONE 937-770-6331  
 600 DECKER COURT - SUITE 202  
 ROCKWALL, TEXAS 75087

SHEET NUMBER	C
24 OF 29	2.31r
SET NUMBER	

DATE: 31 AUGUST, 1998  
 DRAWN BY: R. HOFFMAN  
 CHECKED: R.A.H.  
 COAM NO: 049-453  
 REVISION: 19 NOV., 1998