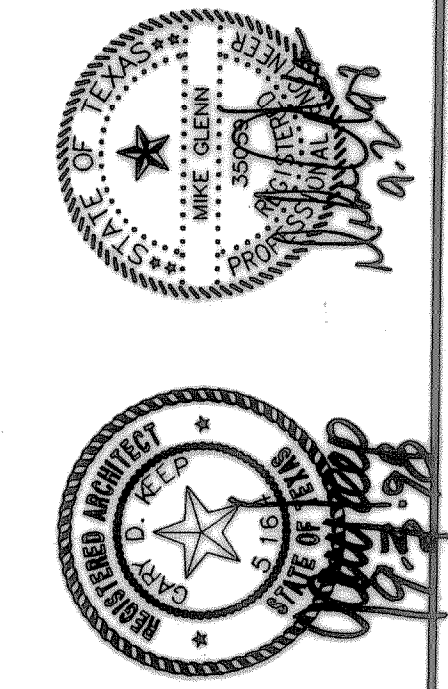
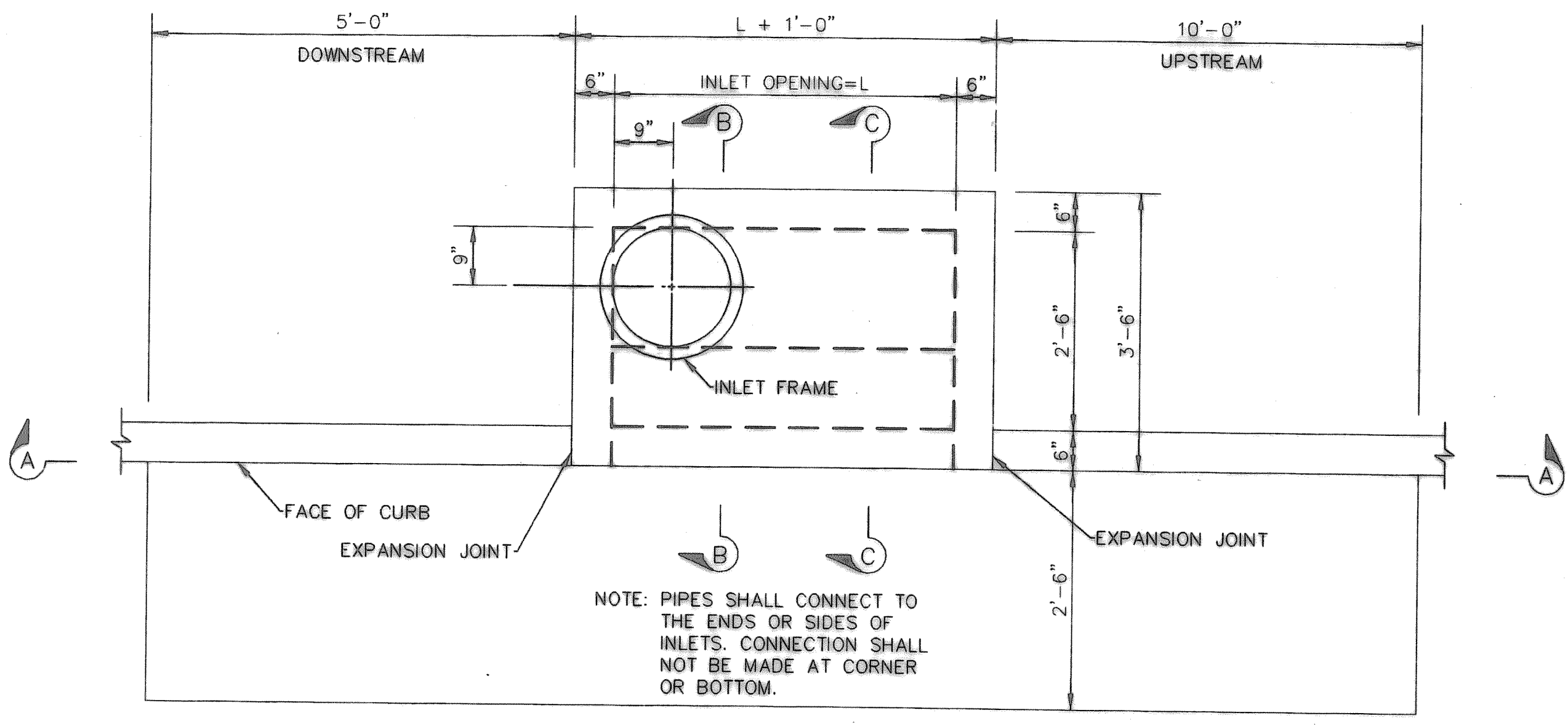


ROCKWALL HIGH SCHOOL ADDITIONS
ROCKWALL INDEPENDENT SCHOOL DISTRICT
ROCKWALL, TEXAS

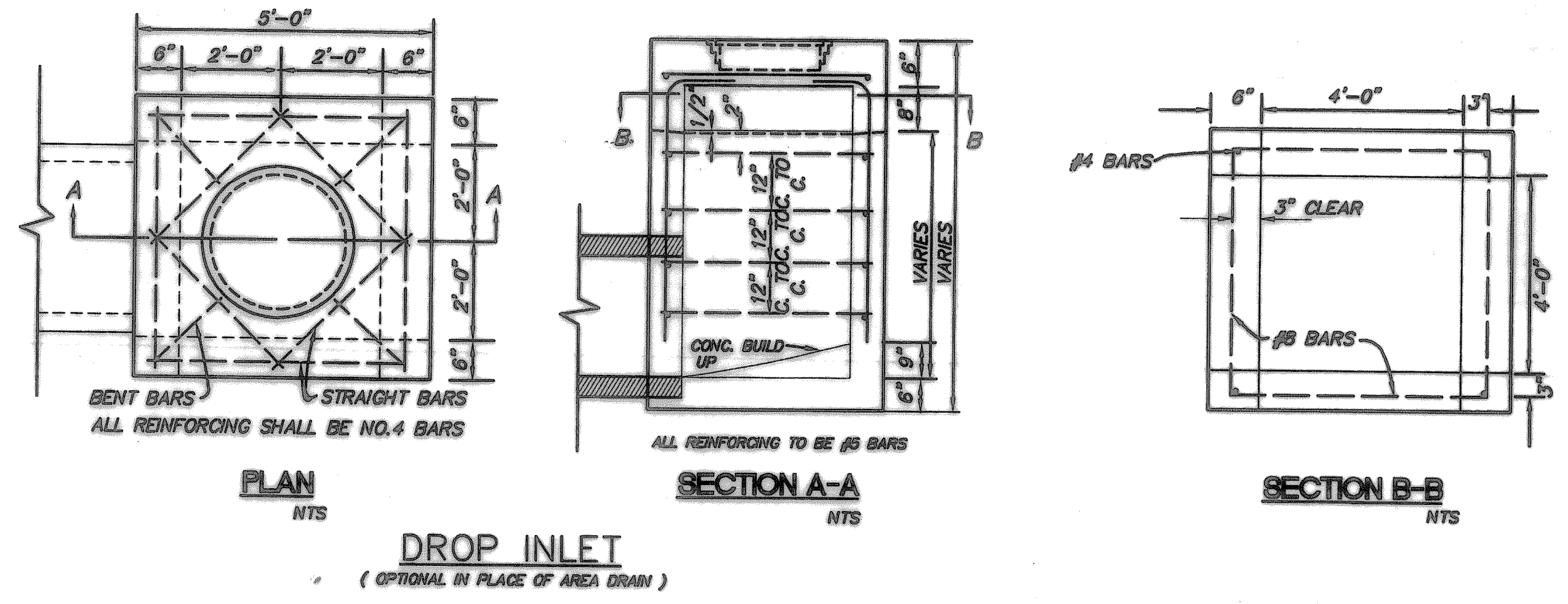


SHW Group Inc.
 Architects + Engineers

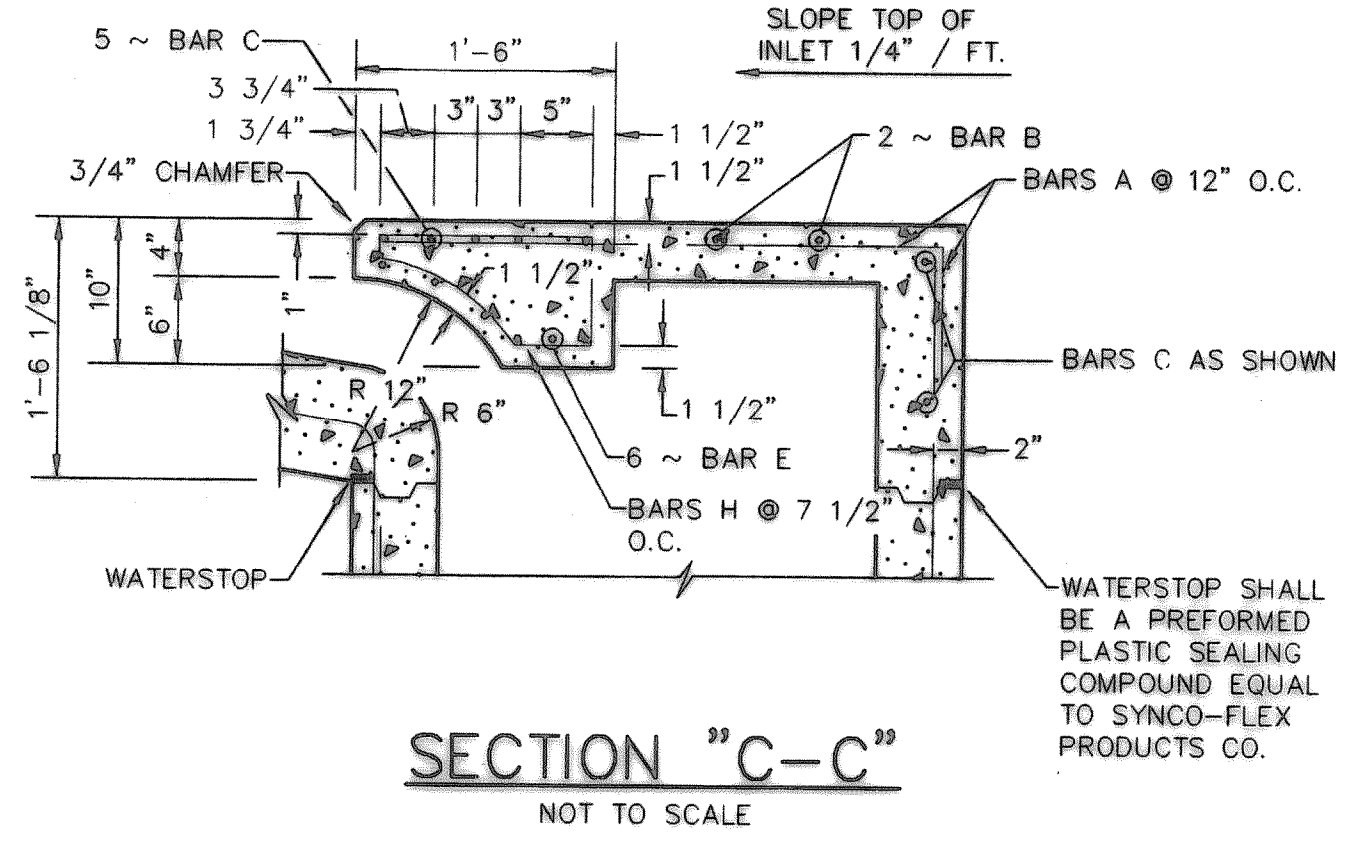
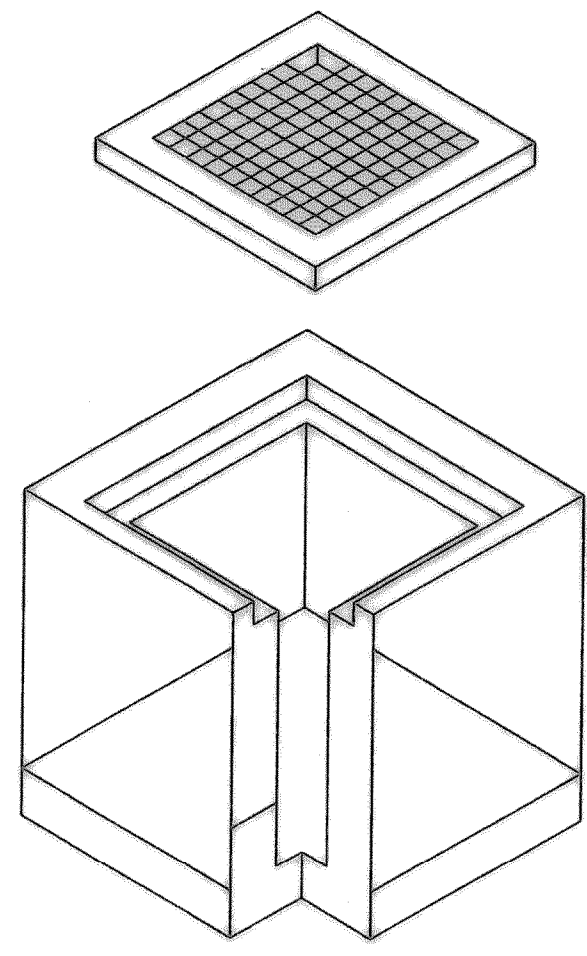
SHEET NUMBER	C
29	2.28
OF 48	
SET NUMBER	



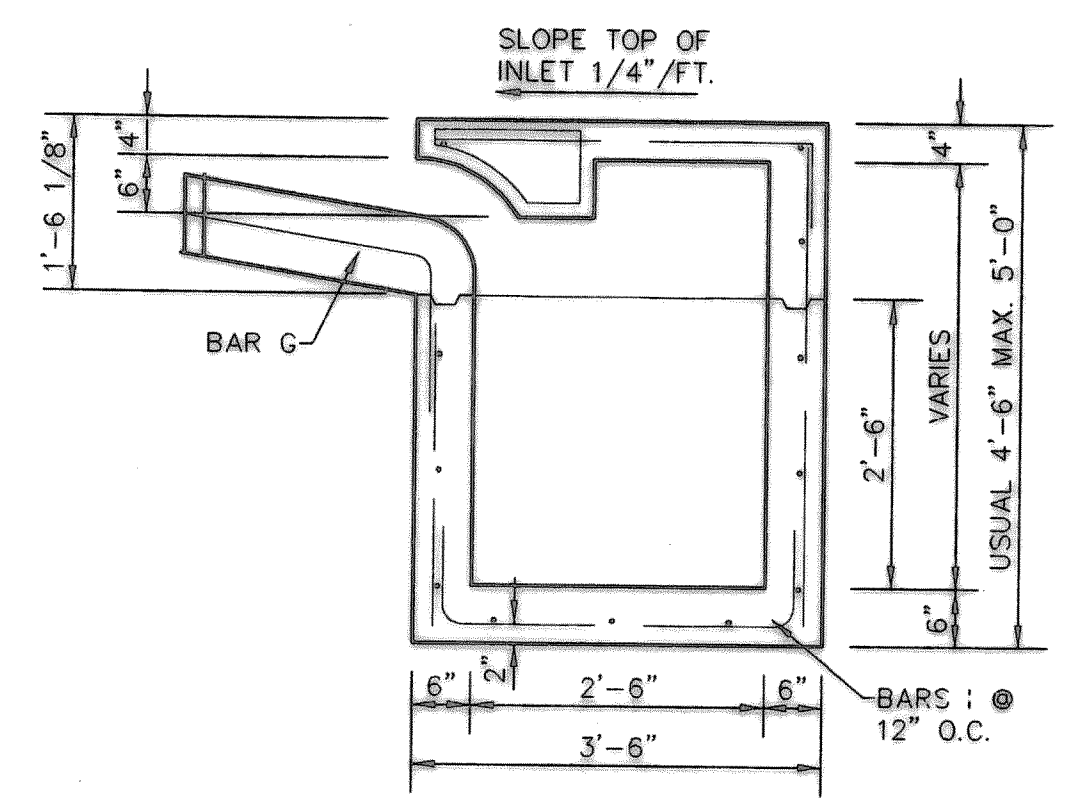
PLAN - STANDARD INLET CURB INLET DETAILS



DROP INLET
 (OPTIONAL IN PLACE OF AREA DRAIN)

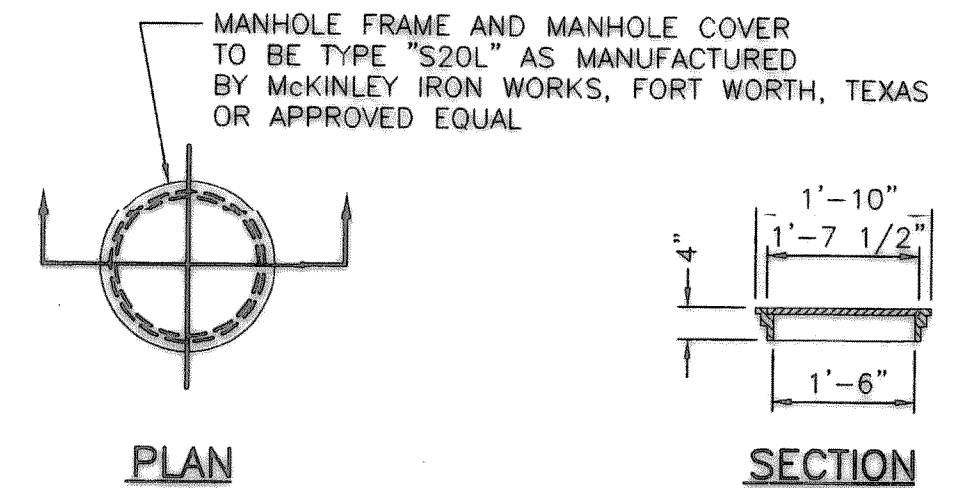


SECTION "C-C"
 NOT TO SCALE



SECTION "B-B"
 NOT TO SCALE

- NOTES:
- SLOPE THE BOTTOM OF THE INLET TOWARDS THE PIPE OPENING AT MINIMUM RATE OF 1/2" PER FOOT.
 - CONCRETE SHALL BE CLASS 'A' CONCRETE (THD SPECIFICATION ITEM 421).
 - LATERAL MAY ENTER INLET ON ANY SIDE.
 - PRECAST INLETS PERMITTED.



INLET MANHOLE FRAME AND COVER
 NOT TO SCALE

REINFORCING STEEL SCHEDULE

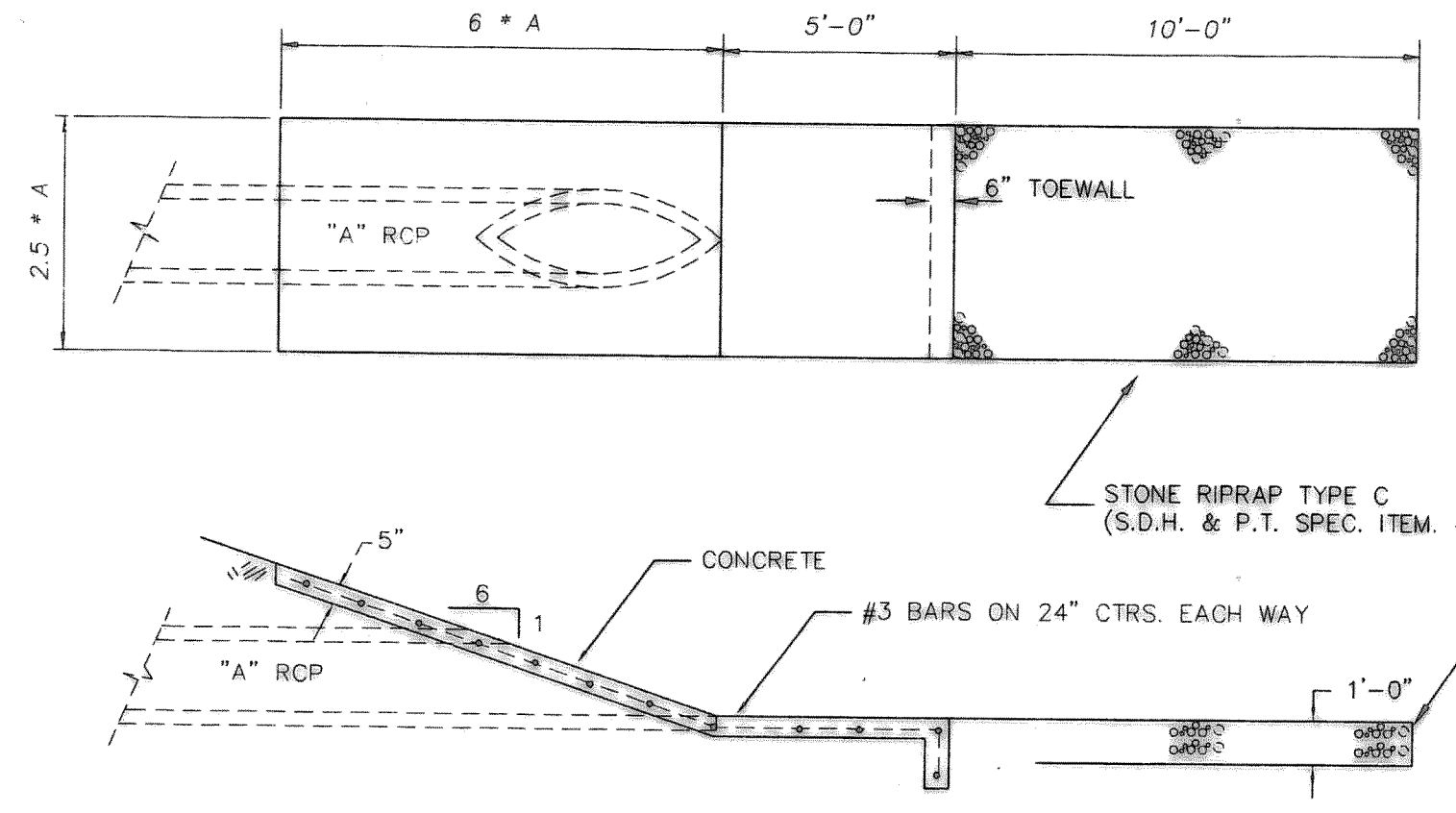
DIMENSIONS SHOWN ARE FOR MAX. SIZE INLETS

INLET LENGTH L	BAR TYPE	BAR DIA. (1/8")	NO. REQD.	BAR DIMENSIONS		
				A	B	C
6 FT.	A	3	9	3'-2"	0'-3"	---
	B	3	1	4'-10"	---	---
	C	4	15	6'-8"	0'-6"	---
10 FT.	D	4	5	4'-8"	---	---
	F	4	1	3'-2"	---	---
	G	3	5	2'-0"	1'-3"	---
	H	3	3	*	*	*
N	3	3	3	3'-2"	3'-2"	3'-2"

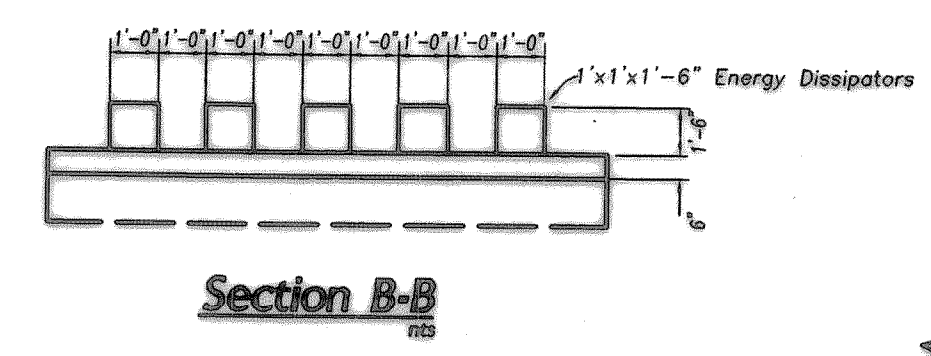
* SEE DIAGRAM FOR DIMENSIONS



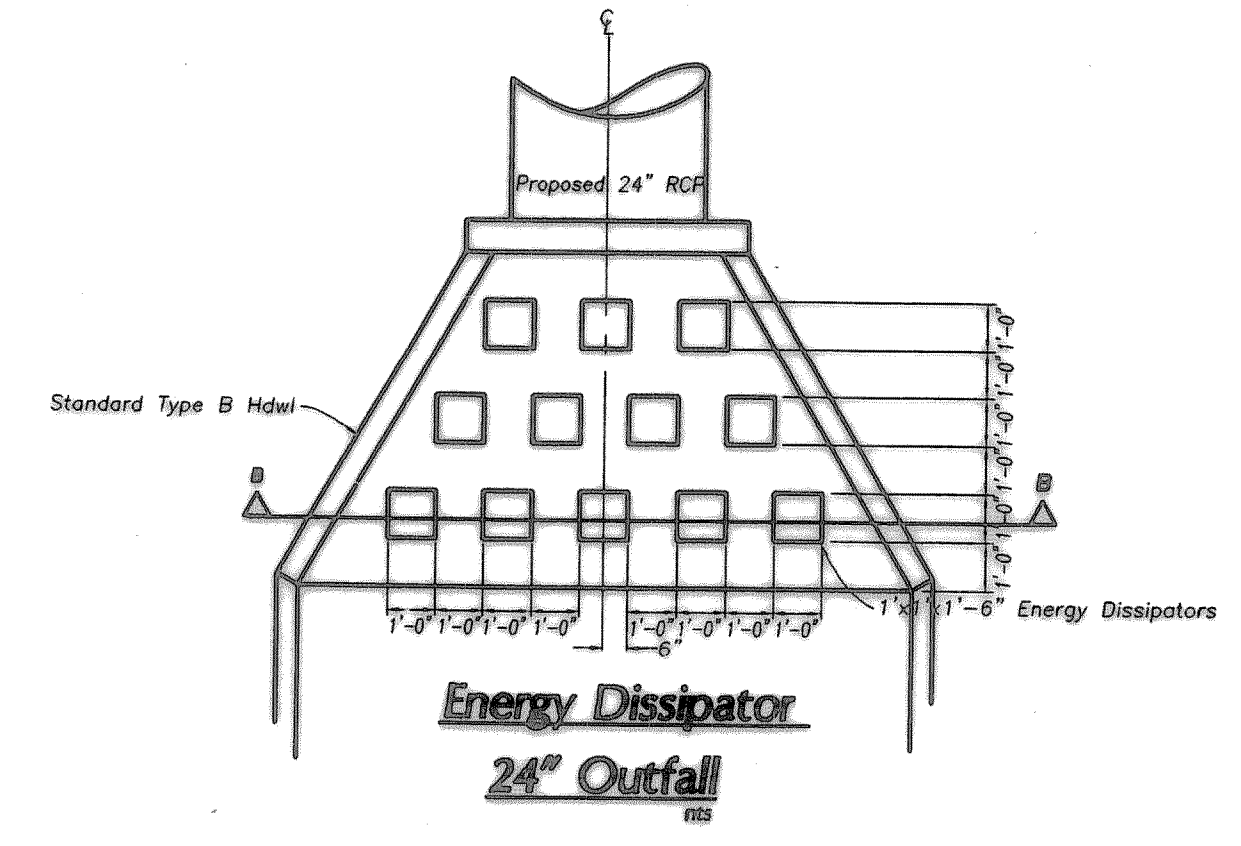
REINFORCING DETAILS



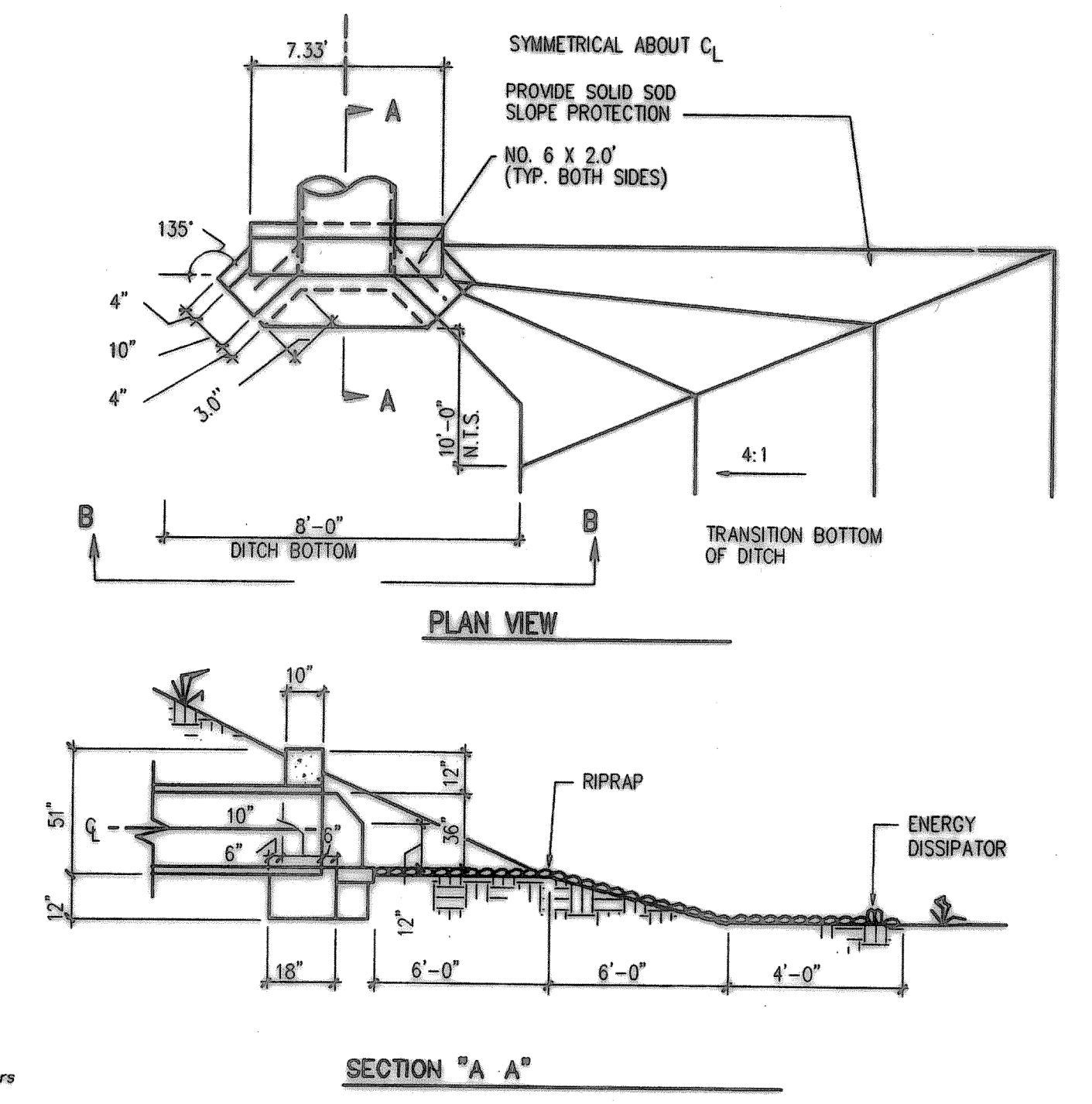
SLOPING HEADWALL DETAIL



Section B-B



TYPE "ED" HEADWALL
 Not To Scale



SECTION "A A"

SECTION "B-B"
TYPE "B" HEADWALL DETAIL
 N.T.S.

STORM SEWER DETAILS
 N.T.S.