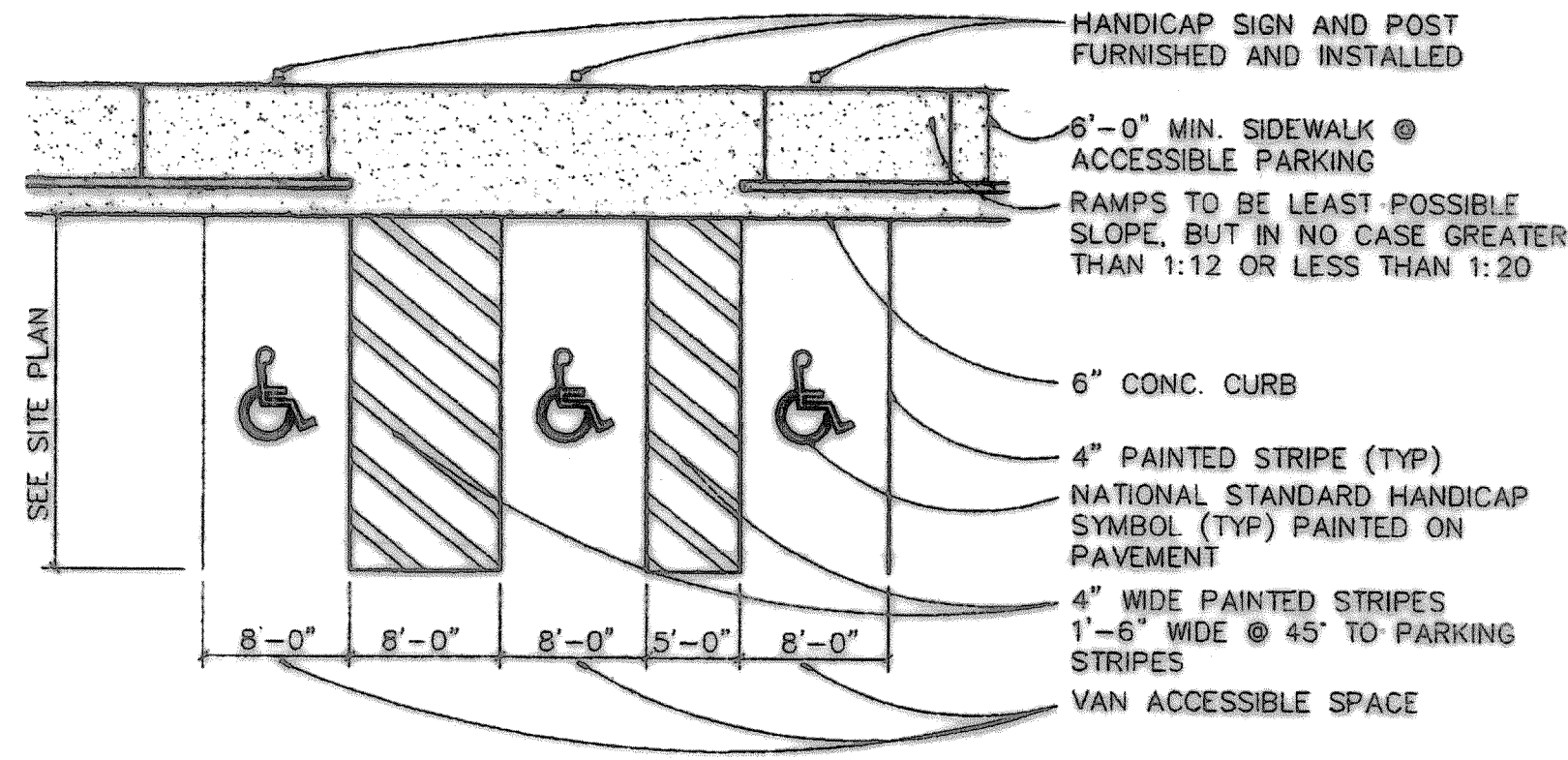
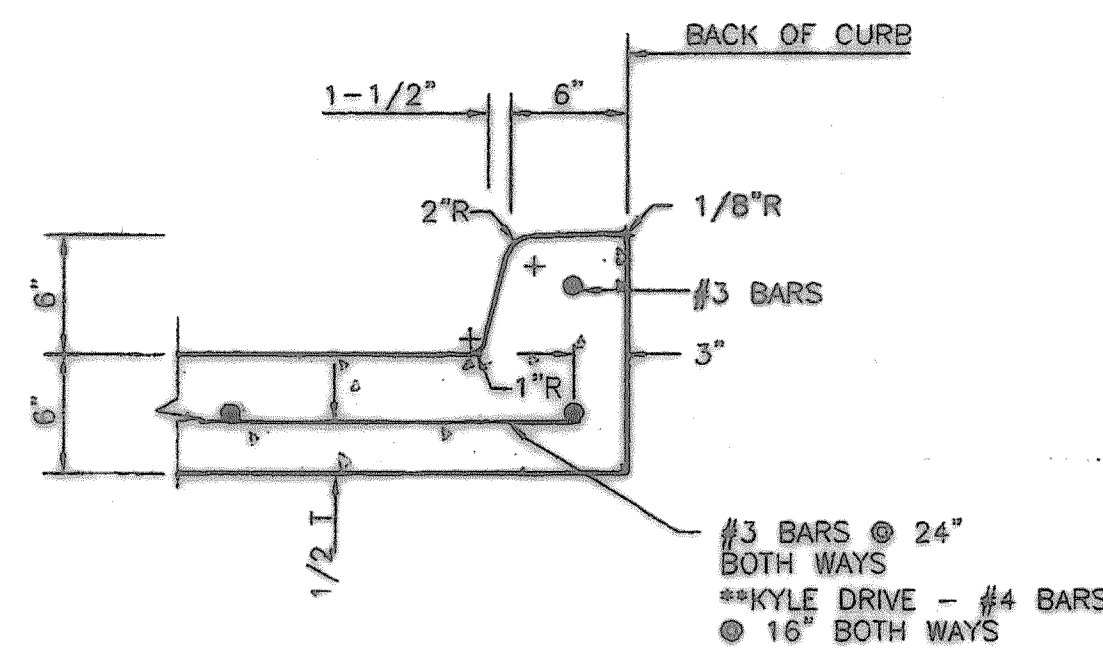


ROCKWALL HIGH SCHOOL ADDITIONS
ROCKWALL INDEPENDENT SCHOOL DISTRICT
TEXAS
ROCKWALL,

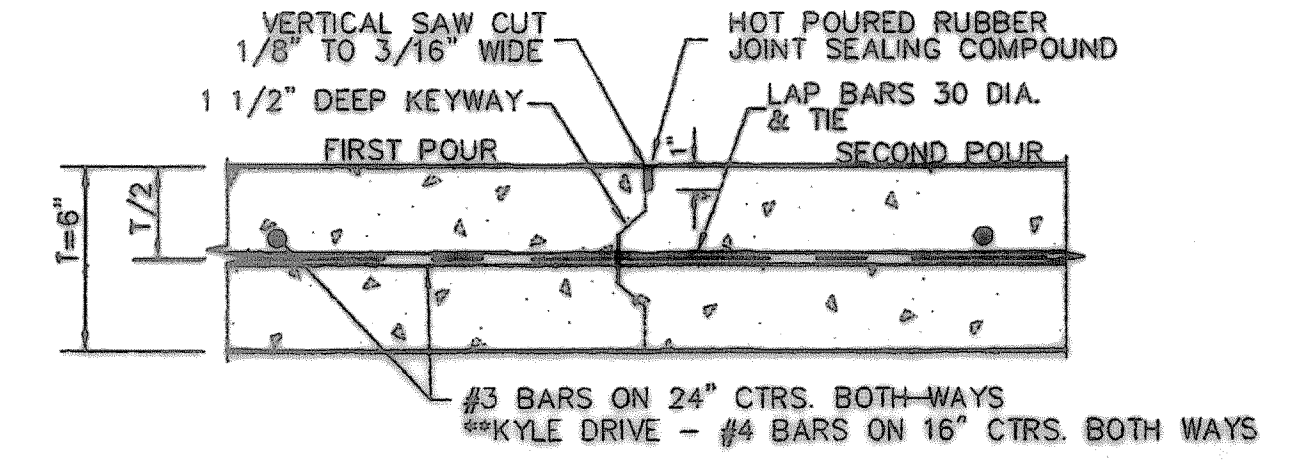
NOTE: PARKING STALL DIMENSIONS TO BE IN ACCORDANCE WITH A.D.A. OR APPROPRIATE GOVERNING AUTHORITY'S STANDARDS, WHICHEVER IS MORE RESTRICTIVE.



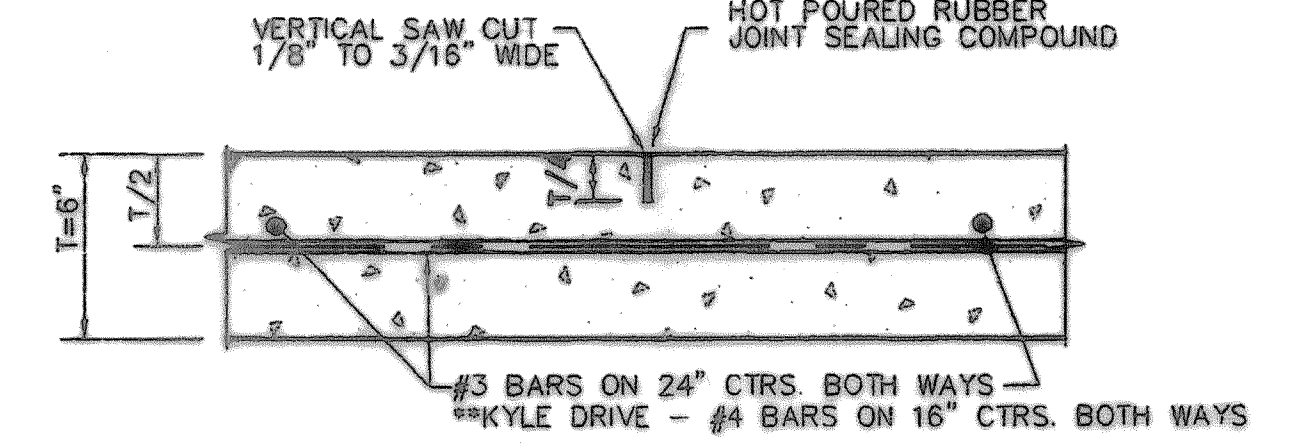
ACCESSIBLE PARKING STALL DETAILS
 NOT TO SCALE



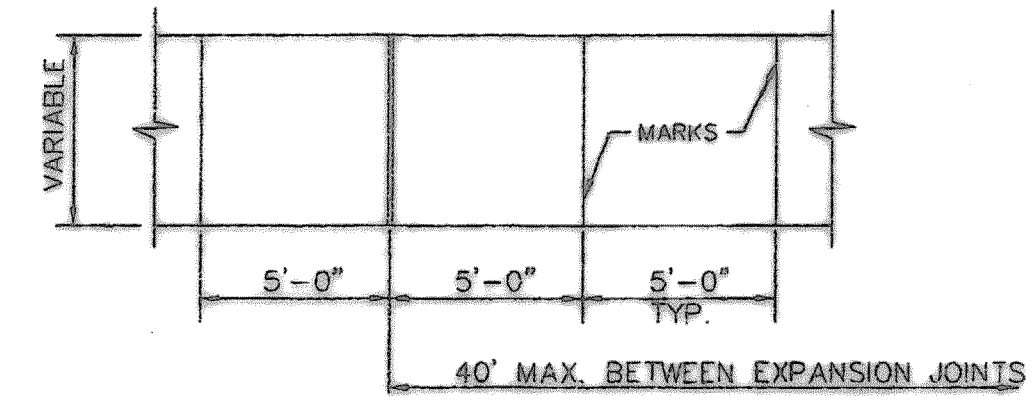
INTEGRAL CURB + GUTTER
 NOT TO SCALE



CONSTRUCTION JOINT DETAIL (L)
 NOT TO SCALE

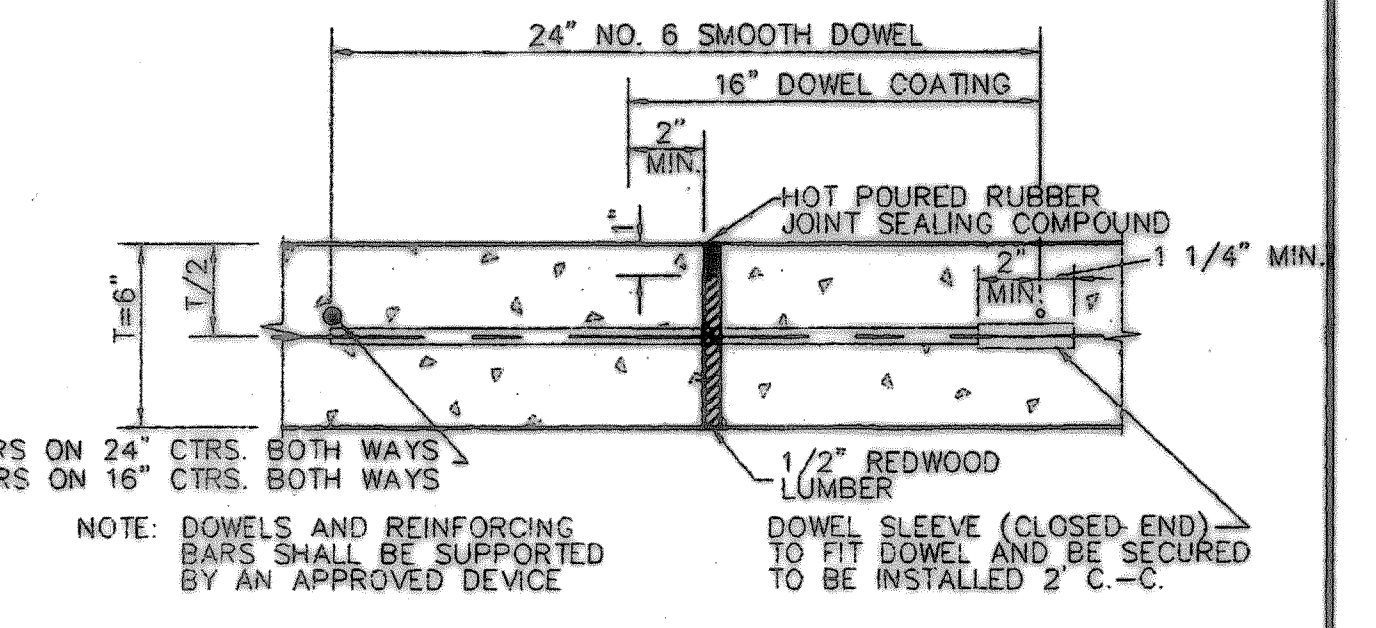


SAWED DUMMY JOINT DETAIL (T)
 NOT TO SCALE

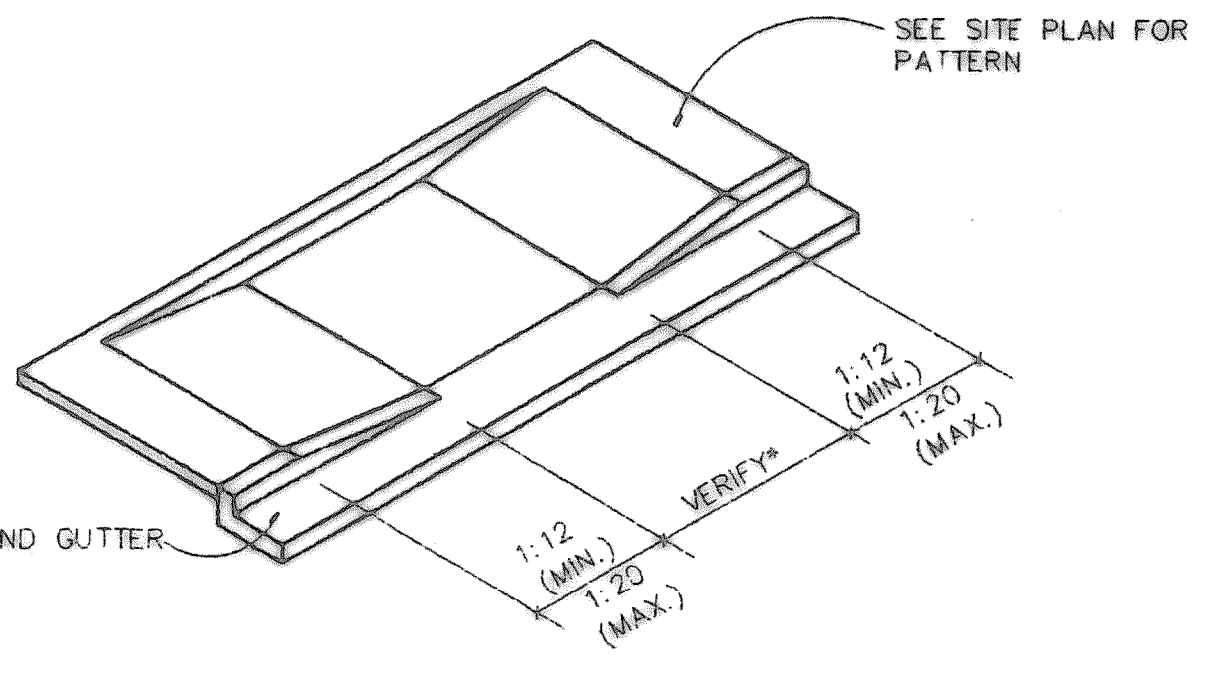


NOTE: AT MARKINGS THE CONCRETE SHALL BE CUT 1" DEEP, FOLLOWED BY GROOVING TOOL. STRENGTH SHALL BE 3000 p.s.i. WITH #3 BARS @ 24" O.C.

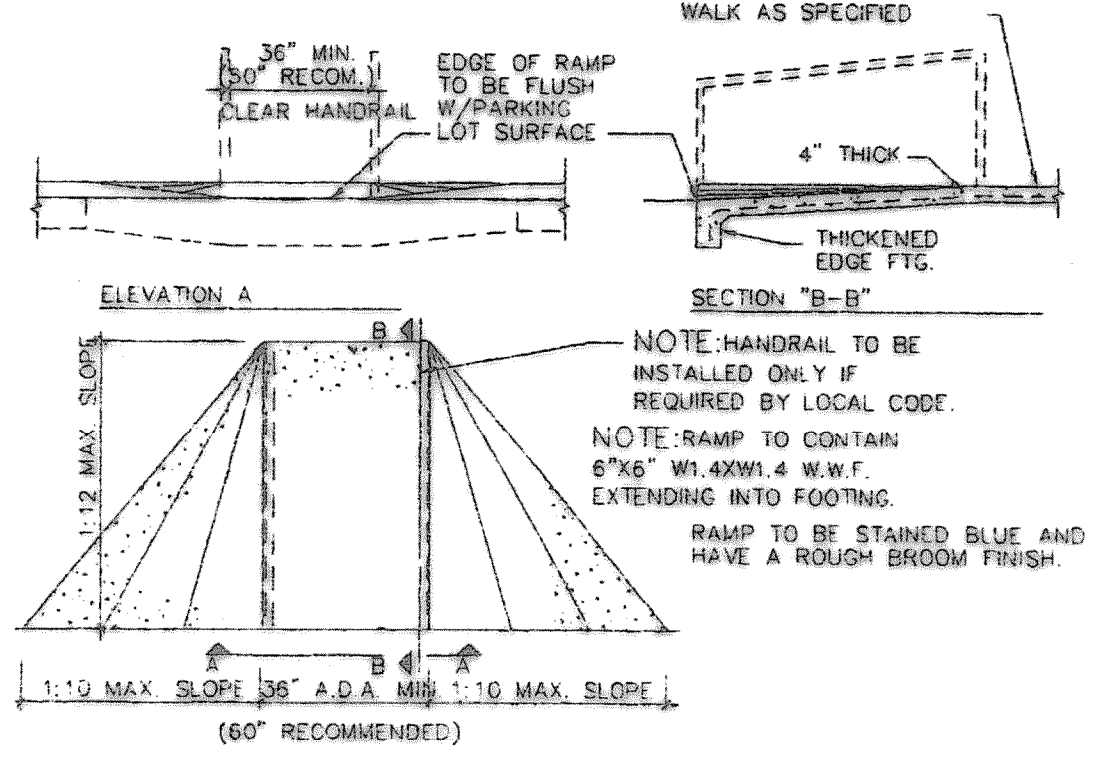
SIDEWALK PLAN
 NOT TO SCALE



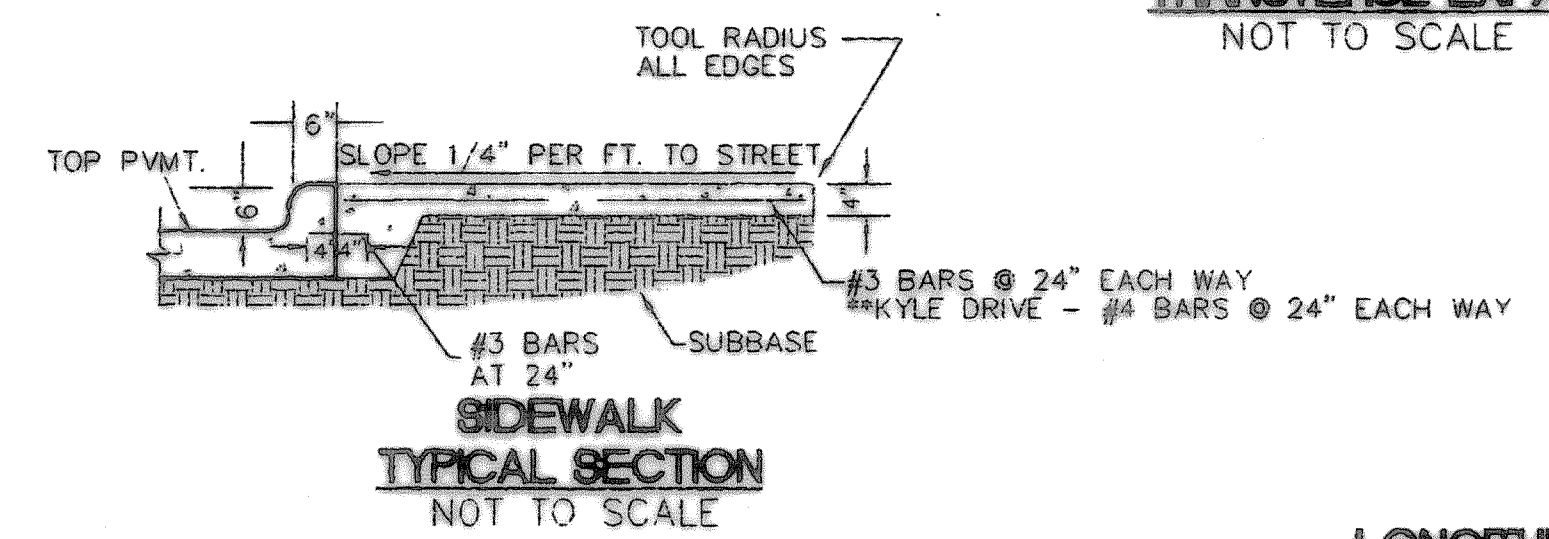
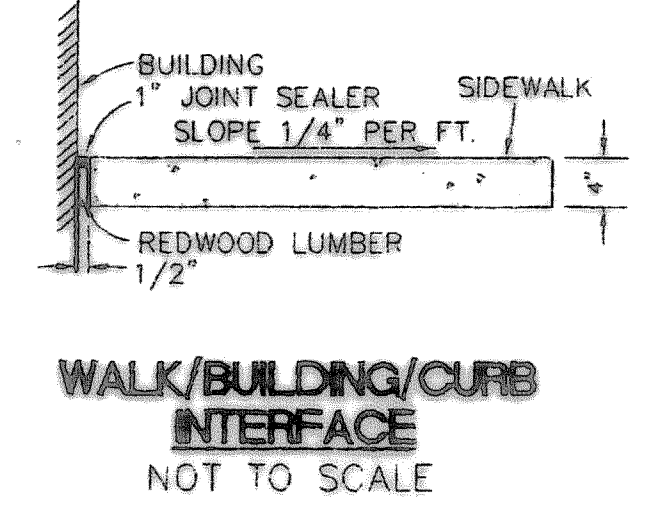
TRANSVERSE EXPANSION JOINT DETAIL (E)
 NOT TO SCALE



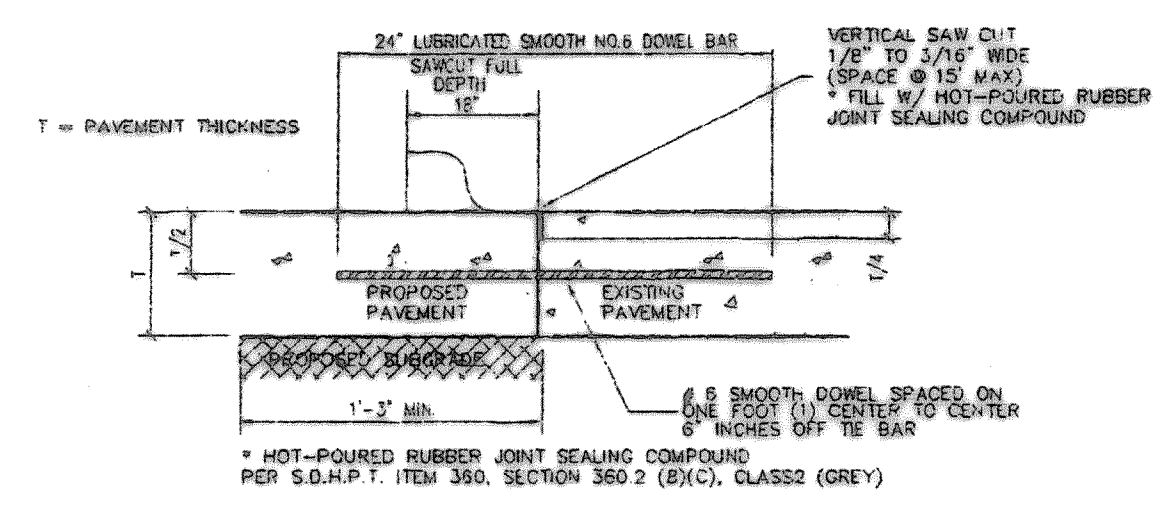
HANDICAP RAMP DETAIL
 NOT TO SCALE



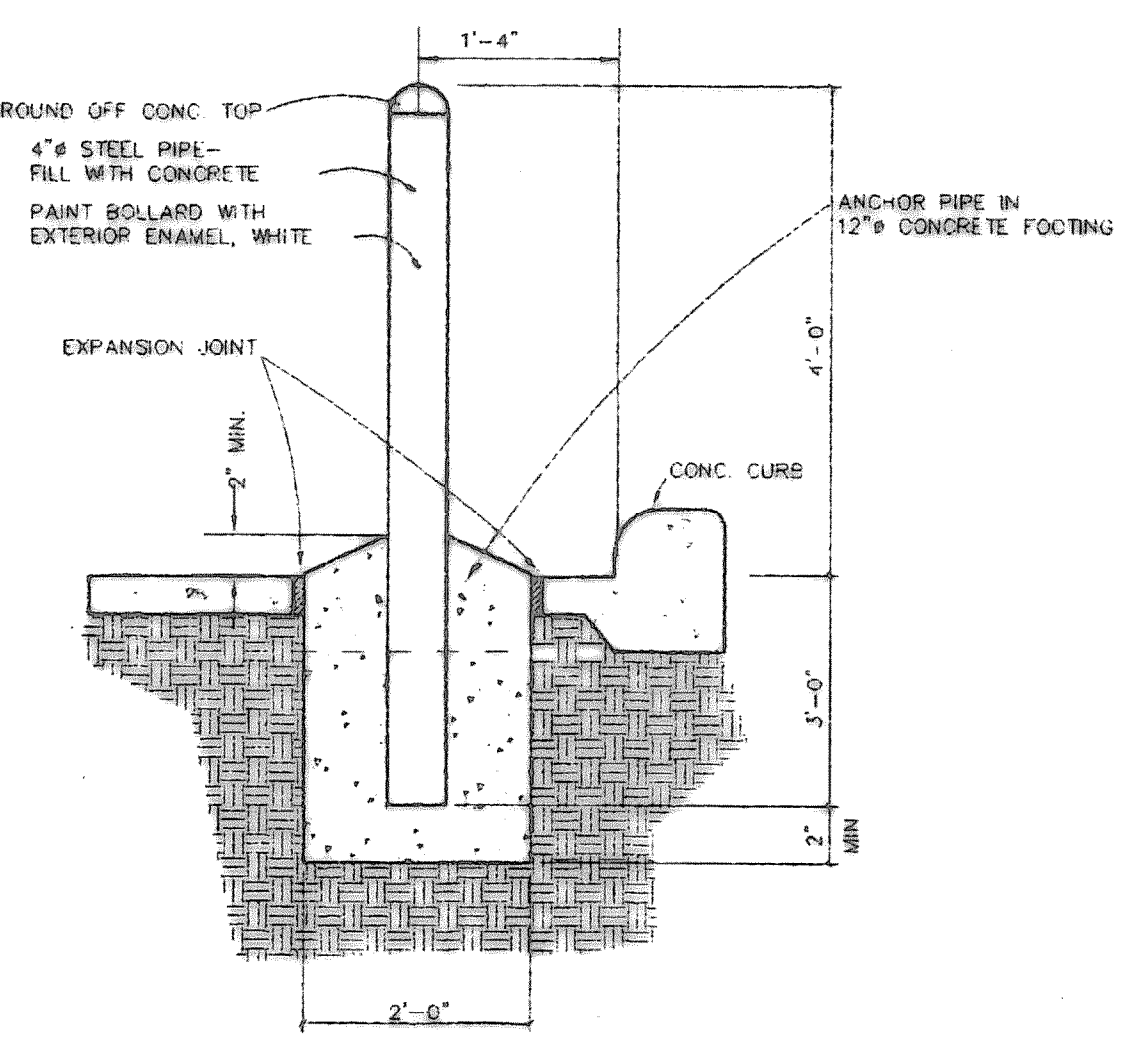
CONCRETE RAMP-INTERNAL
 NTS SCALE: 1/4"=1'-0"



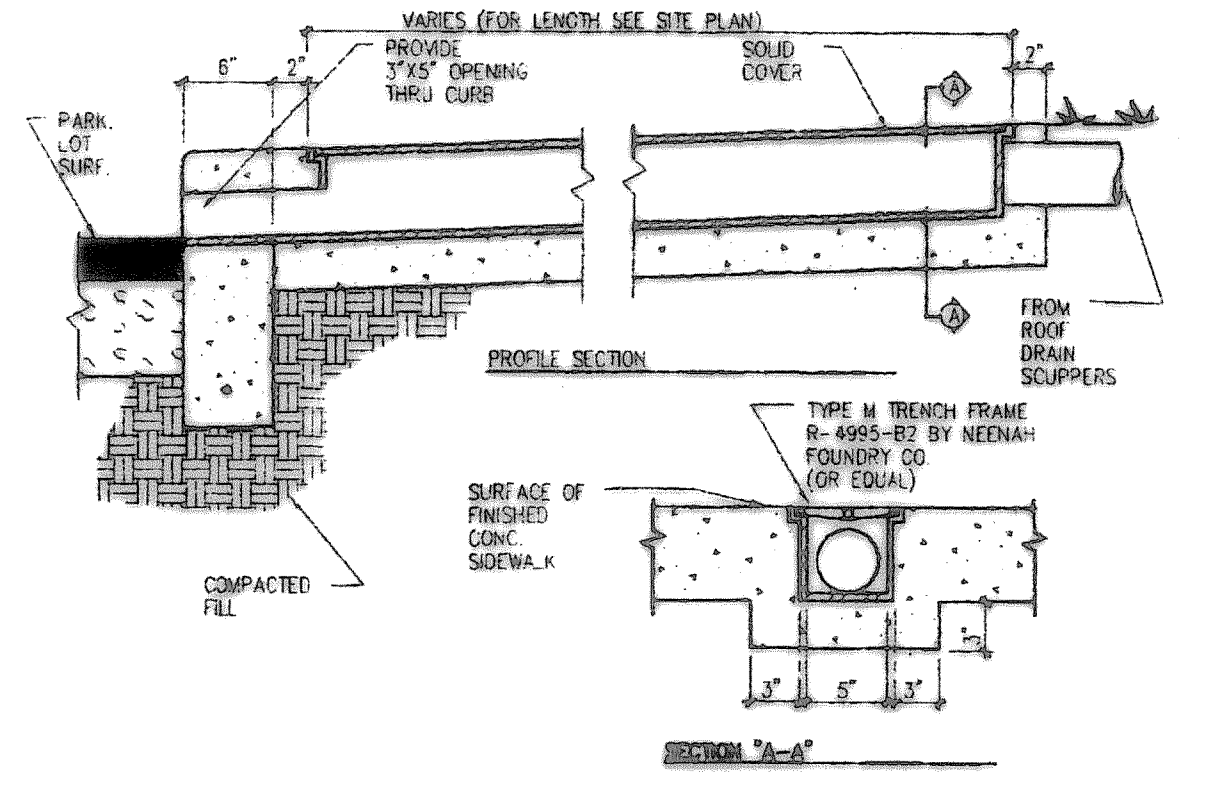
LONGITUDINAL BUTT DETAIL



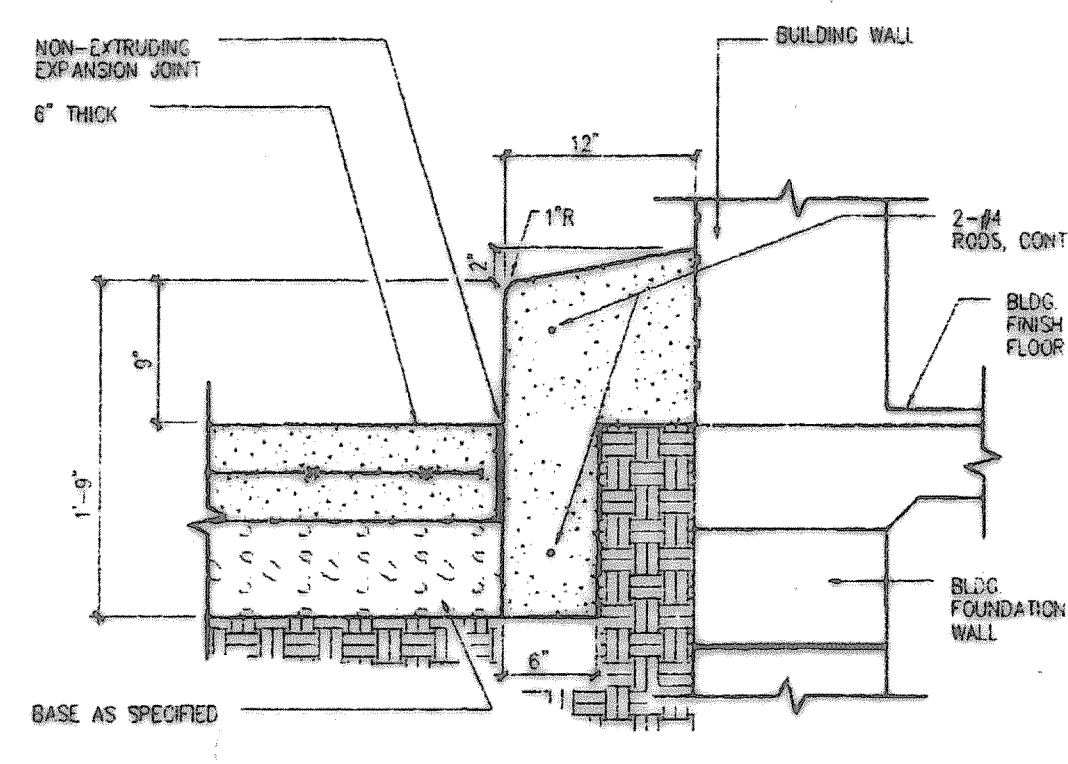
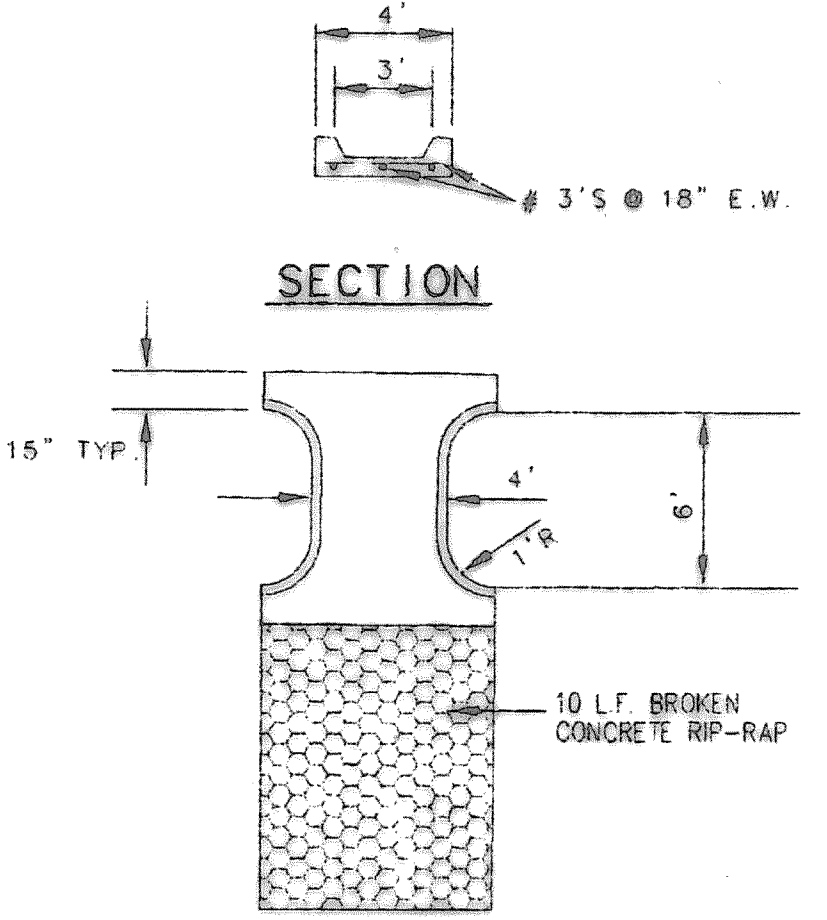
NOTES
 TO BE USED WHERE PROPOSED CONCRETE PAVEMENT MEETS EXISTING CONCRETE PAVEMENT
 NOTES:
 1. NO. 5 SMOOTH DOWEL BAR MAY BE USED IN 5", 6" AND 7" PAVEMENT THICKNESS.
 2. LONGITUDINAL BUTT CONSTRUCTION MAY BE UTILIZED IN PLACE OF LONGITUDINAL HINGED (KEYWAY) JOINT AT CONTRACTOR'S OPTION.
 3. DOWEL BARS SHALL BE DRILLED INTO PAVEMENT HORIZONTALLY BY USE OF A MECHANICAL RIG. DRILLING BY HAND IS NOT APPLICABLE. PUSHING DOWEL BARS INTO GREEN CONCRETE IS NOT ACCEPTABLE.



STEEL PIPE BOLLARD DETAIL
 NTS



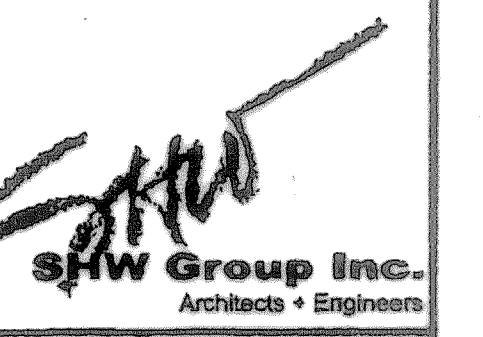
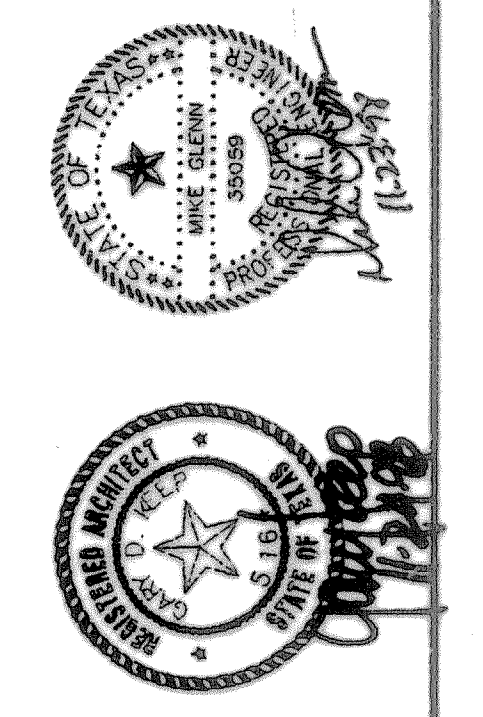
ROOF DRAIN FLUME
 NTS



9" BARRIER CURB (USE NEXT TO BUILDING)
 SCALE: 1"=1'-0"

PAVING NOTES
 THE INITIAL SOIL TEST AND REPORT PREPARED BY FUGRO - McCELLAND REPORT NO. 0771-1240 AND ANY AND ALL SUBSEQUENT REPORTS PREPARED FOR THIS PROJECT BY FUGRO - McCELLAND OR BY OTHER FIRM, AGENCY OR ENTITY, EVEN THOUGH NO SPECIFIC REFERENCE TO ANY SUCH REPORTS ARE CONTAINED IN THE PLANS AND/OR SPECIFICATIONS, FOR THIS PROJECT, ARE MADE A PART OF THIS SITE PLAN. A COPY CAN BE OBTAINED THROUGH THE ARCHITECT OR ENGINEER.

PAVING DETAILS



SHEET NUMBER	C
19 OF 29	2.25r
SET NUMBER	