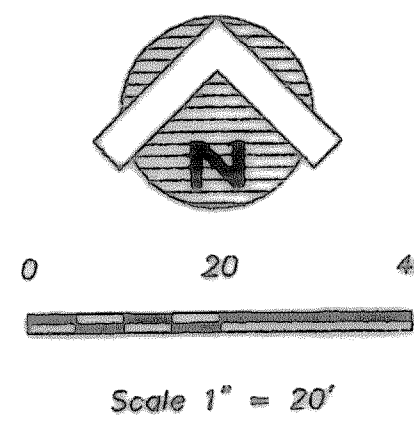
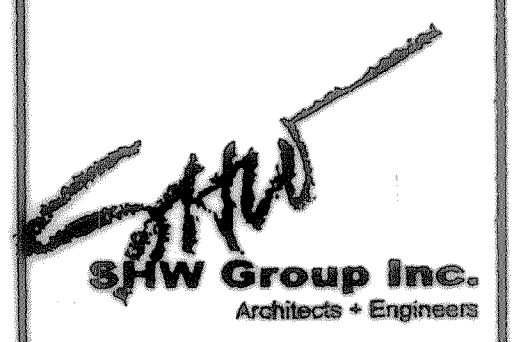
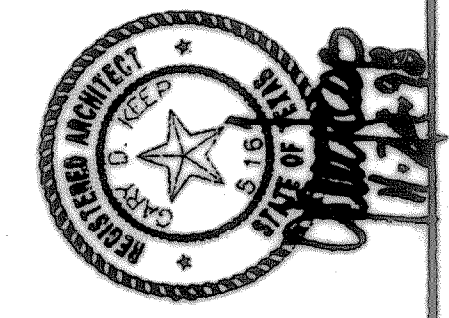
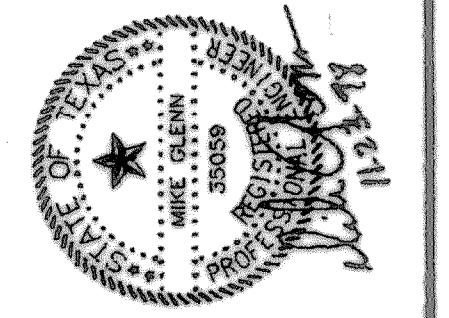


- GENERAL STORM SEWER NOTES
1. ALL CONSTRUCTION TO BE IN ACCORDANCE WITH THESE PLANS AND CITY OF ROCKWALL STANDARDS AND SPECIFICATIONS.
 2. PRIOR TO STARTING CONSTRUCTION, THE CONTRACTOR SHALL MAKE CERTAIN THAT ALL REQUIRED PERMITS AND APPROVALS HAVE BEEN OBTAINED. NO CONSTRUCTION OR FABRICATION SHALL BEGIN UNTIL THE CONTRACTOR HAS RECEIVED AND THOROUGHLY REVIEWED ALL PLANS AND OTHER DOCUMENTS APPROVED BY ALL OF THE PERMITTING AUTHORITIES.
 3. ALL WORK SHALL BE PERFORMED IN ACCORDANCE WITH THESE PLANS AND SPECIFICATIONS AND THE REQUIREMENTS AND STANDARDS OF THE LOCAL GOVERNING AUTHORITY.
 4. IN THE EVENT AN ITEM IS NOT COVERED IN THE CITY OF ROCKWALL SPECIFICATIONS, THE ENGINEER'S DECISION SHALL APPLY.
 5. BARRICADING, TRAFFIC CONTROL, AND PROJECT SIGNS SHALL CONFORM TO "STATE DEPARTMENT OF HIGHWAYS AND PUBLIC TRANSPORTATION BARRICADING AND CONSTRUCTION STANDARDS".
 6. THE GENERAL CONTRACTOR AND ALL SUBCONTRACTORS SHALL VERIFY THE SUITABILITY OF ALL EXISTING AND PROPOSED SITE CONDITIONS INCLUDING GRADES AND DIMENSIONS BEFORE COMMENCEMENT OF ANY CONSTRUCTION. IN THE EVENT OF ANY CONFLICT AND PRIOR TO COMMENCEMENT OF ANY CONSTRUCTION, IMMEDIATELY NOTIFY ENGINEER. MINOR ADJUSTMENTS OF FINISH GRADE TO ACCOMPLISH SPOT DRAINAGE ARE ACCEPTABLE, IF NECESSARY, UPON PRIOR APPROVAL OF ENGINEER. PAVING INSTALLED SHALL "FLUSH OUT" AT ANY JUNCTURE WITH EXISTING PAVING.
 7. THE LOCATIONS OF UNDERGROUND UTILITIES SHOWN ON THIS PLAN ARE BASED ON FIELD SURVEYS AND LOCAL UTILITY COMPANY RECORDS. IT SHALL BE THE CONTRACTOR'S FULL RESPONSIBILITY TO CONTACT THE VARIOUS UTILITY COMPANIES TO LOCATE THEIR UTILITIES PRIOR TO STARTING CONSTRUCTION.
 8. CONTRACTOR SHALL VERIFY ALL EXISTING INVERTS AND RIM ELEVATIONS PRIOR TO CONSTRUCTION.
 9. ALL RCP SHALL BE CLASS III, ADS OR HANCOCK OR APPROVED EQUAL.



DATE 31 AUGUST, 1998
 DRAWN BY JTW
 CHECKED RAH
 COMM NO 1495416
 REVISION 19 NOV., 1998

ROCKWALL HIGH SCHOOL ADDITIONS
ROCKWALL INDEPENDENT SCHOOL DISTRICT
ROCKWALL, TEXAS

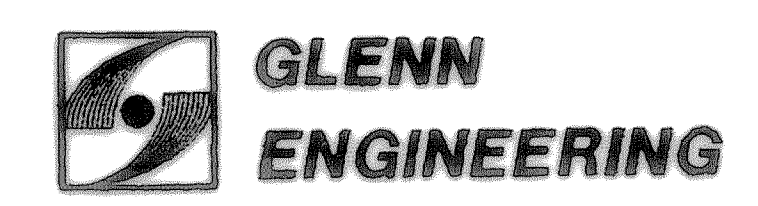


CONTRACTOR SHALL VERIFY ALL EXISTING INVERTS AND ELEVATIONS PRIOR TO CONSTRUCTION.

ALL STORM SEWER CONSTRUCTION TO BE PER CITY OF ROCKWALL STANDARDS.

STORM SEWER PLAN

SCALE: 1" = 20'



PHONE 817-717-0101 FAX 817-717-0220
 100 DECKER COURT - SUITE 200 IRVING, TEXAS 75038

SHEET NUMBER	C
OF	49
2.12r	
SET NUMBER	