

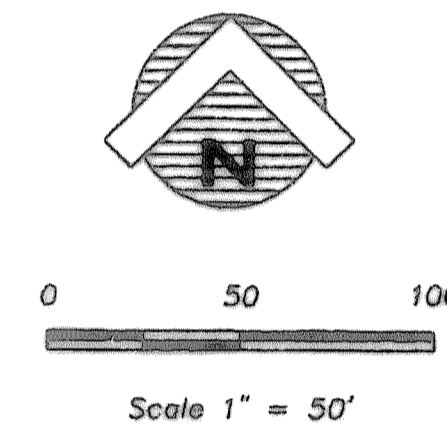
CHURCH ON THE ROCK  
 ROCKWALL, TEXAS  
 VOL.451, PG. 196  
 D.R.R.C.T.  
 (40 AC.)

JAMES P. AND  
 MARY JEAN SYVRUD  
 VOL.168, PG. 508  
 D.R.R.C.T.  
 (10.24 AC.)

GARY AND DOROTHY KNOLL  
 VOL.161, PG. 772  
 D.R.R.C.T.  
 (114 AC.)

TOP 497.00  
 SSMH F.L. 490.2

HENRY S. MILLER  
 VOL.105, PG. 121



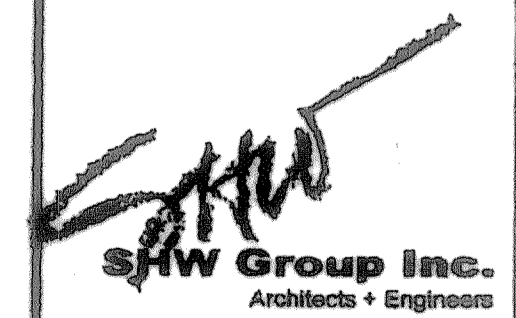
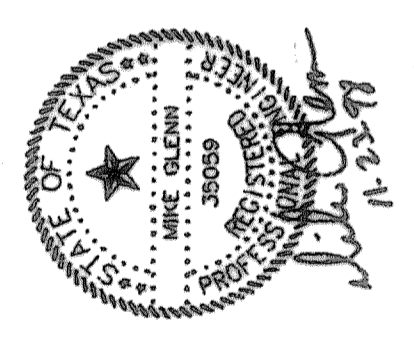
**STORM WATER RUNOFF CALCULATIONS**

AREA NO.	DRAINAGE AREA 'A' (ACRES)	TIME OF CONCENTRATION (IN MINUTES)	RUNOFF COEFFICIENT 'C'	INTENSITY 1"100' (IN/H-F)	DESIGN FLOW Q 'CFS'	REMARKS
A	14.4	10	0.50	0.88	63.71	SHEET FLOW
B	202	10	0.50	0.88	8.86	TO EXIST SWALE AT P.L.

THIS PAVING ALREADY GRADED  
 ON PREVIOUS CONTRACT.

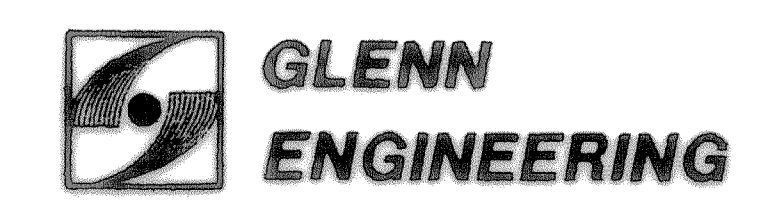
DATE: 31 AUGUST, 1998  
 DRAWN BY: JTW  
 CHECKED: RAH  
 DRAWING NO: 1495416  
 DATE: 19 NOV., 1998

**ROCKWALL HIGH SCHOOL ADDITIONS  
 ROCKWALL INDEPENDENT SCHOOL DISTRICT  
 ROCKWALL,  
 TEXAS**



**DRAINAGE AREA MAP**

SCALE: 1"=50'



PHONE 782-717-6181  
 100 DECKER COURT - SUITE 250  
 IRVING, TEXAS 75038

SHEET NUMBER	C
OF 29	2.11r
SET NUMBER	