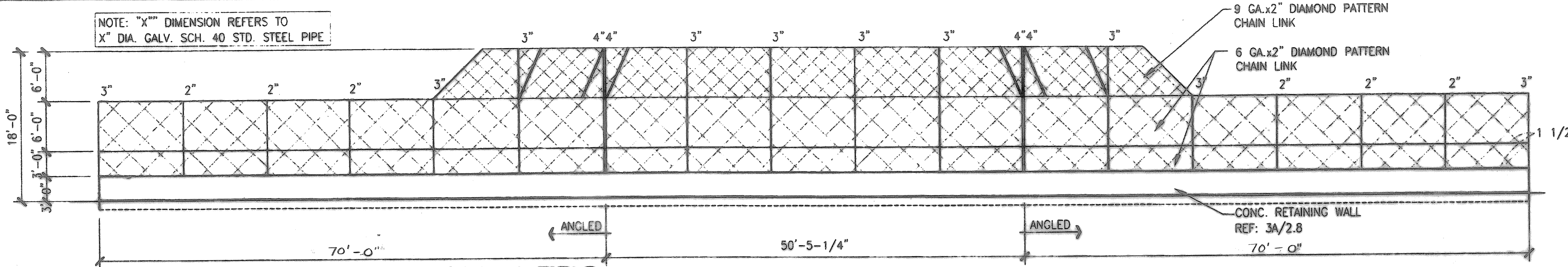
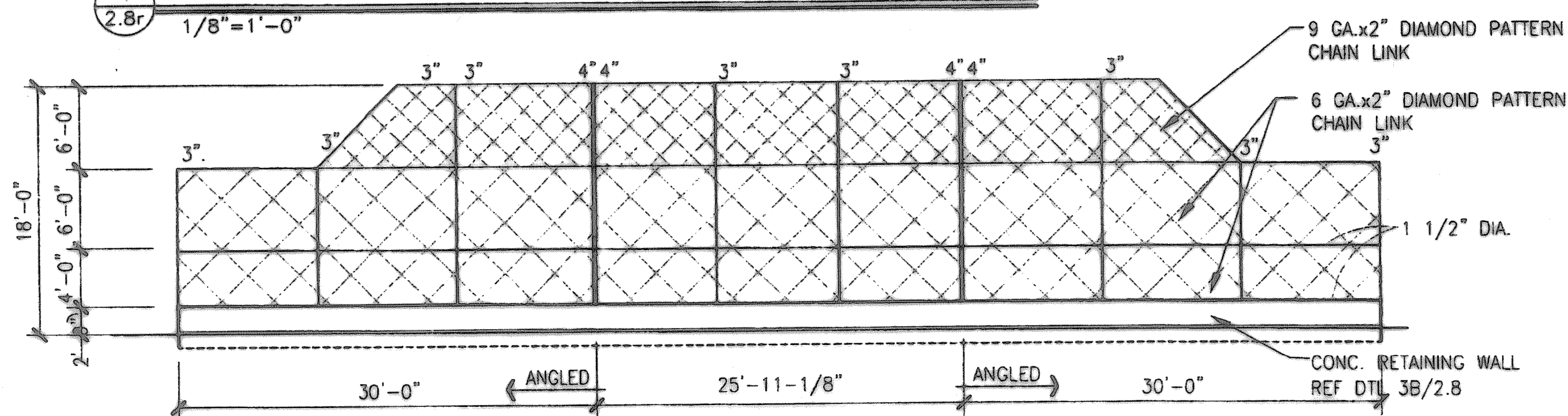


NOTE: "X" DIMENSION REFERS TO X" DIA. GALV. SCH. 40 STD. STEEL PIPE



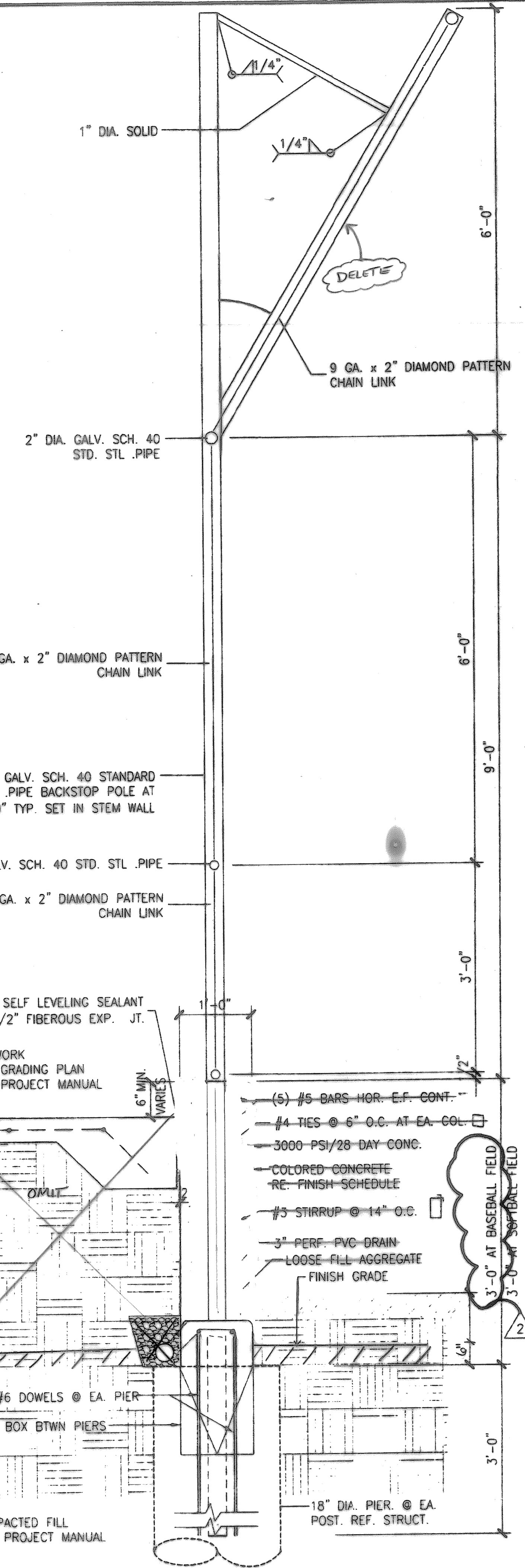
ELEVATION - BACKSTOP AT BASEBALL FIELD



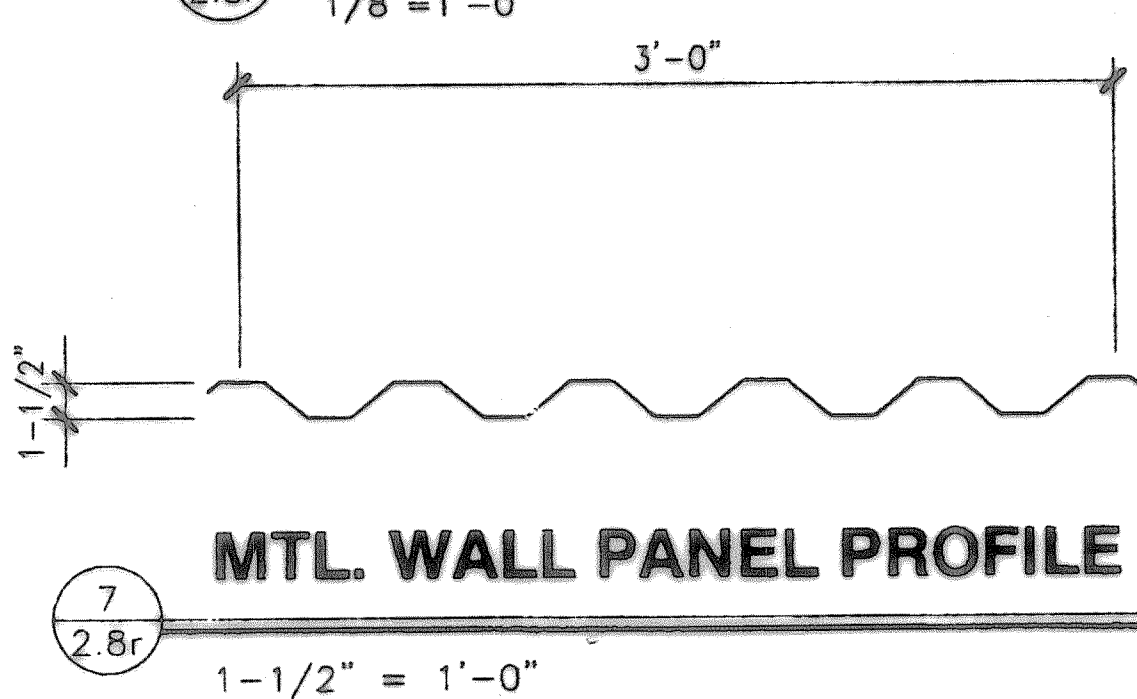
ELEVATION - BACKSTOP AT SOFTBALL FIELD

BACKSTOP NOTES

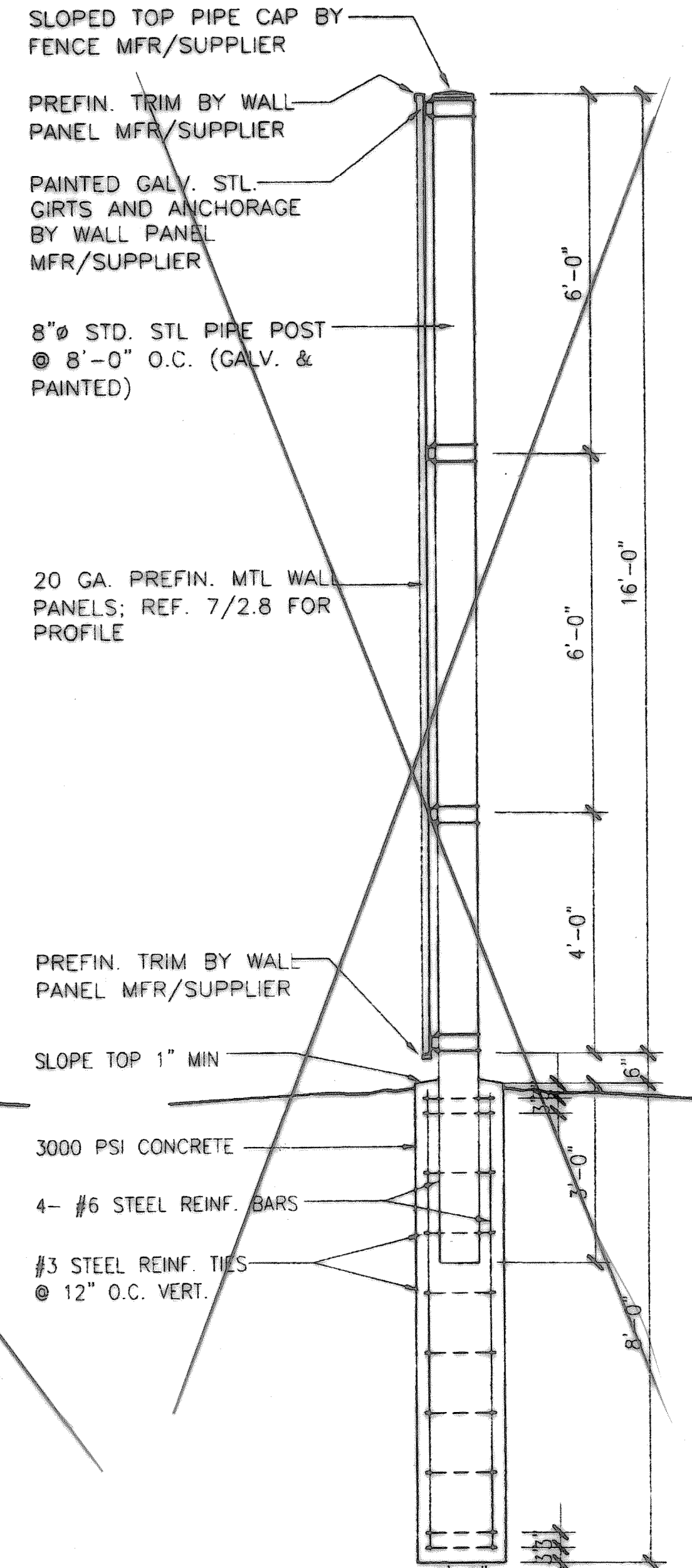
1. USE 3" DIA. (7.58 LB/FT. MIN.) GALVANIZED STANDARD STEEL PIPE WHERE INDICATED BY "3".
2. USE 2" DIA. SCHEDULE 40 GALVANIZED STANDARD STEEL PIPE WHERE INDICATED BY "2".
3. USE 1 1/2" DIA. SCHEDULE 40 GALVANIZED STANDARD STEEL PIPE WHERE INDICATED BY "1 1/2".
4. USE 6 GA. x 2" DIAMOND PATTERN CHAIN LINK TO 12'-0" ABOVE GRADE.
5. USE 9 GA. x 2" DIAMOND PATTERN CHAIN LINK FROM 12'-0" ABOVE GRADE.



RETAINING WALL

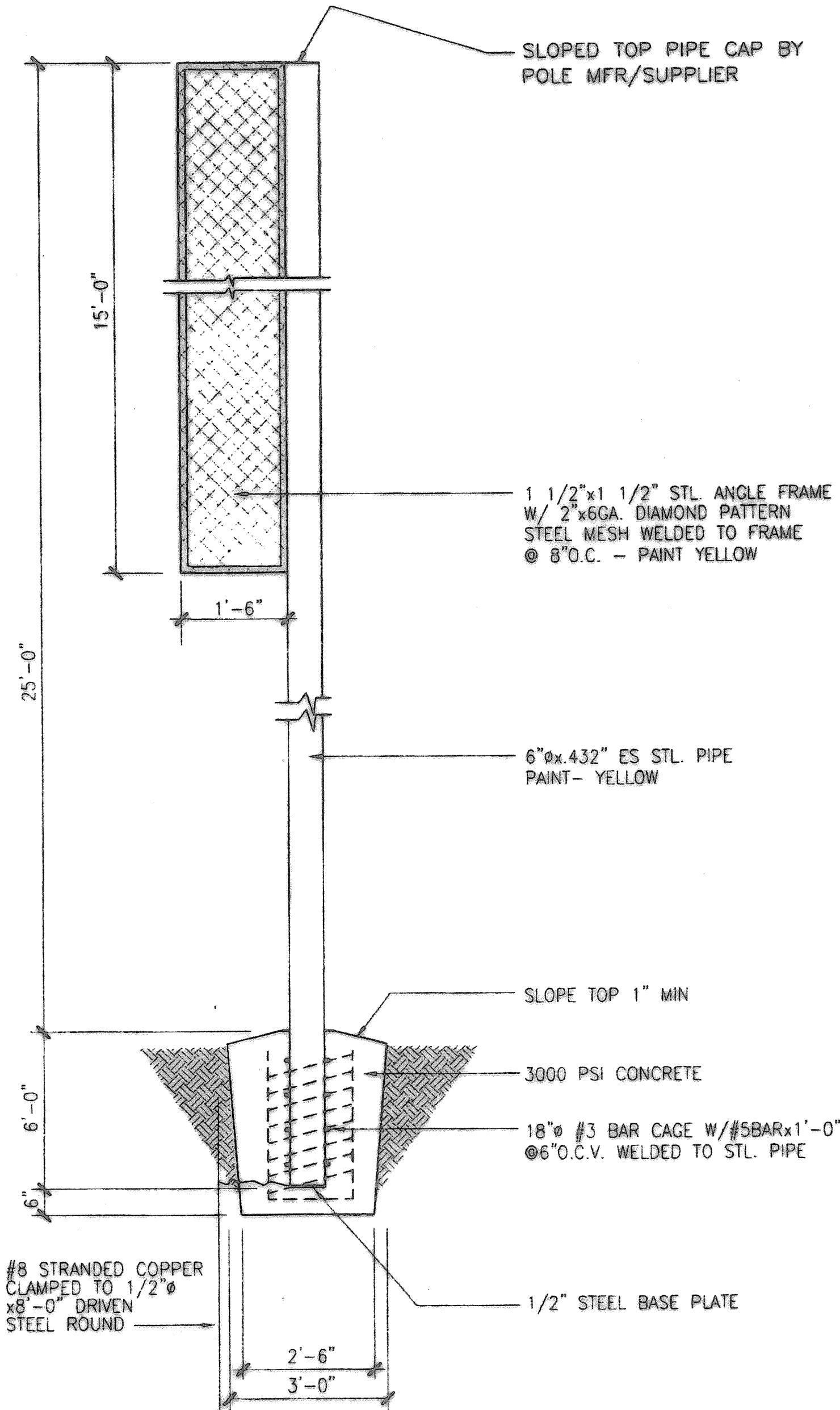


MTL. WALL PANEL PROFILE

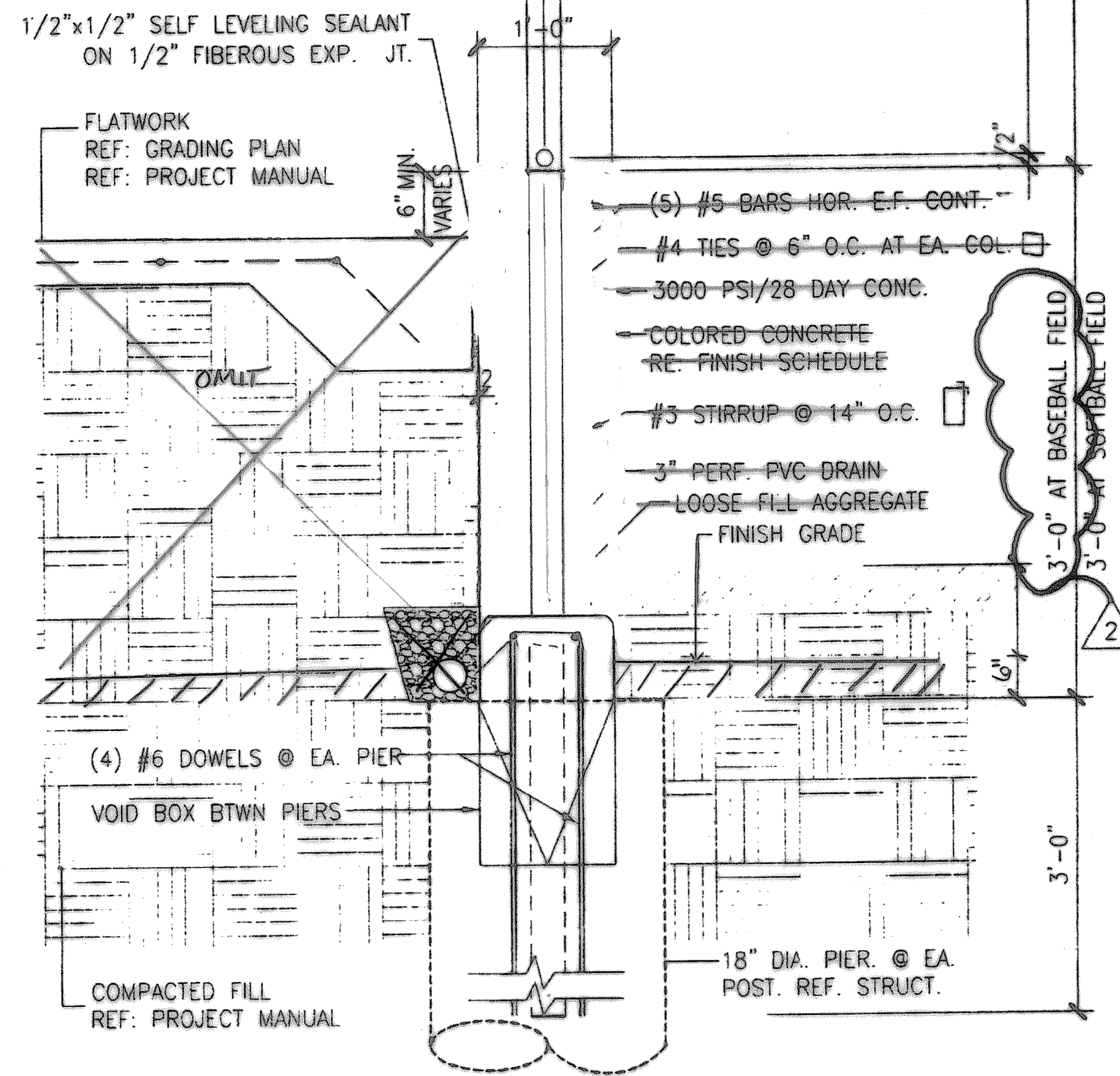


OUTFIELD FENCE DETAIL

OUTFIELD FENCE DETAIL



FOUL POLE DETAIL



3A 2.8r

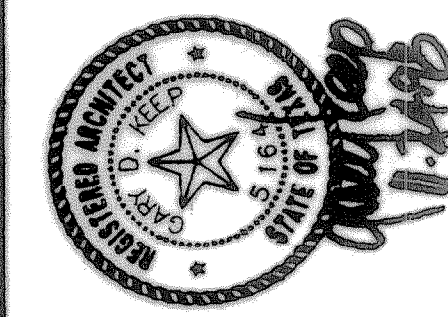
3B 2.8r

rns2.8r.dwg 11-23-96 8:48:32 amCST

DATE: AUGUST 31, 1996
 DRAWN BY: GLF
 CHECKED: DJB
 COUNT NO: 14986416
 REVISION: 11/23/96

ROCKWALL HIGH SCHOOL ADDITIONS
ROCKWALL INDEPENDENT SCHOOL DISTRICT
ROCKWALL, TEXAS

FINAL PLANS FOR BIDDING AND CONSTRUCTION



SHW Group Inc.
 Architects + Engineers

SHEET NUMBER **C 2.8r**

8 OF 29

SET NUMBER

© 1998 SHW Group, Inc.