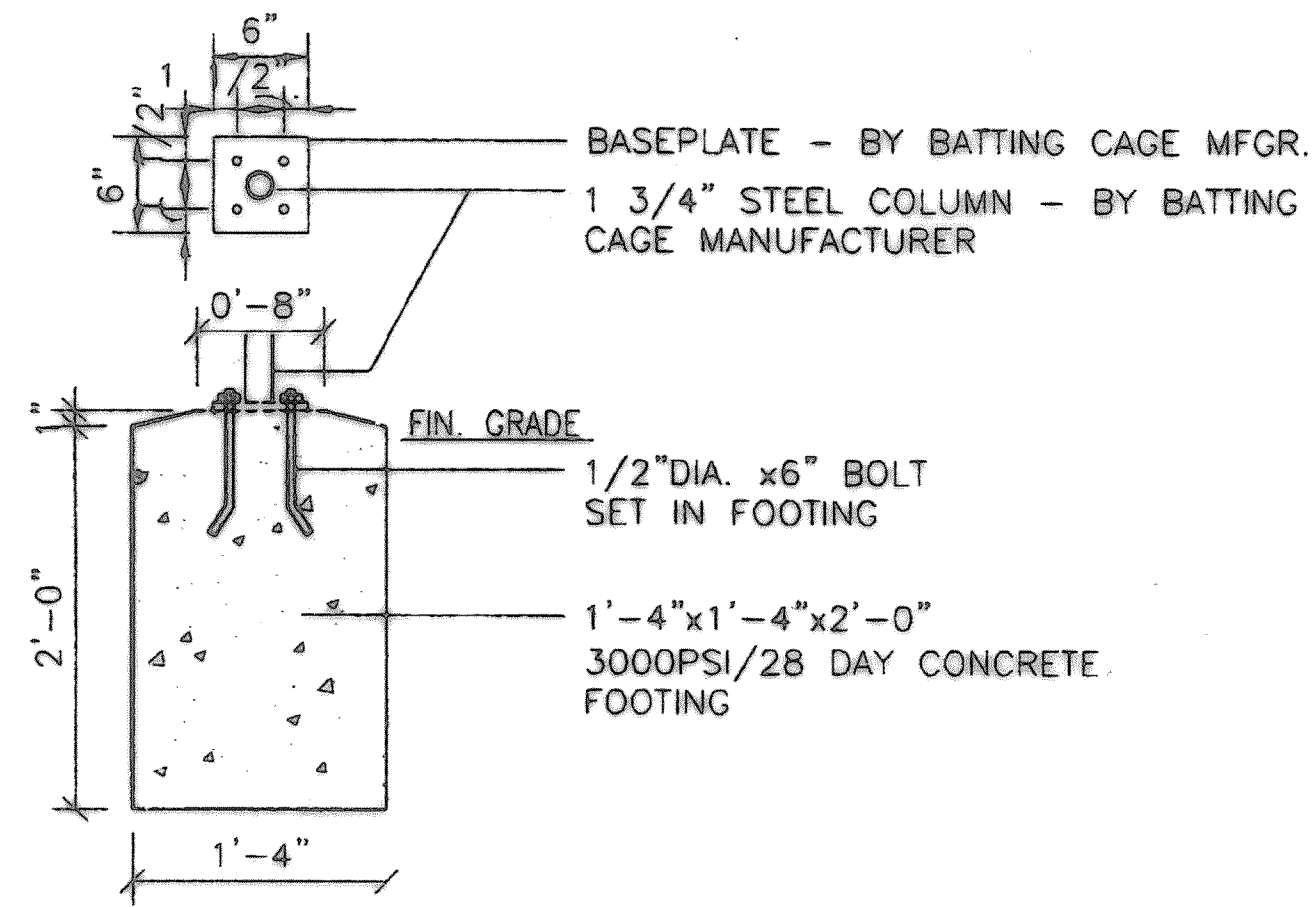


BATTING CAGE SURFACE DETAIL

1
2.7r

NTS

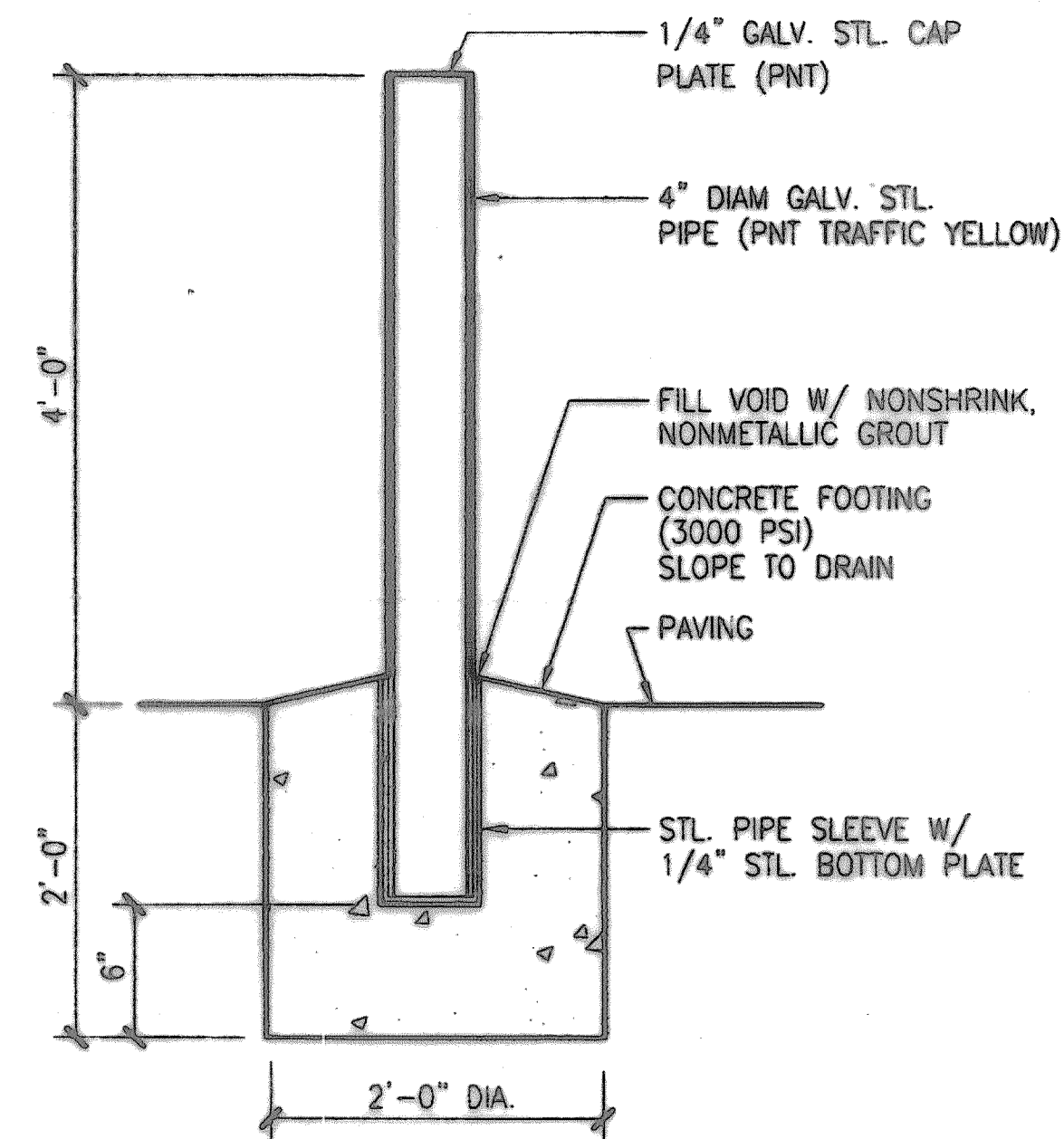


DETAIL - CAGE FOOTING

BATTING CAGE BASE PLATE DETAIL

2
2.7r

NTS



PIPE BOLLARD DETAIL

8
2.7r

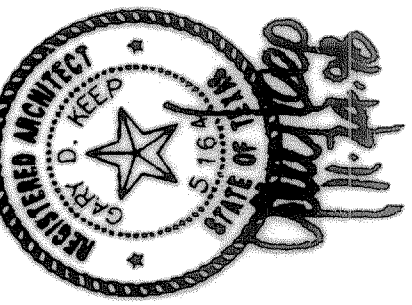
NTS

RHS:2_7r.dwg 11-23-98 8:40:32 amCST

DATE AUGUST 31, 1998
DRAWN BY GLF
CHECKED DUB
COWI NO 1496416
REVISED NOV. 19, 1998

ROCKWALL HIGH SCHOOL ADDITIONS
ROCKWALL INDEPENDENT SCHOOL DISTRICT
ROCKWALL, TEXAS

FINAL PLANS FOR BIDDING AND CONSTRUCTION



SHW Group Inc.
Architects • Engineers

SHEET NUMBER
7 OF 24
C
2.7r

SET NUMBER

© 1998 SHW Group, Inc.