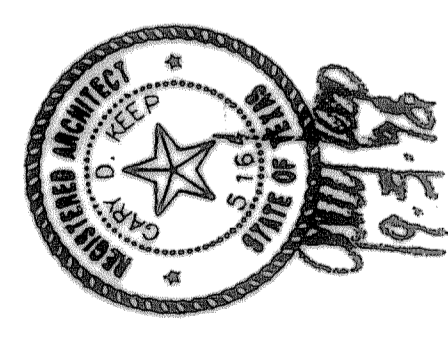


**ROCKWALL HIGH SCHOOL ADDITIONS**  
**ROCKWALL INDEPENDENT SCHOOL DISTRICT**  
**TEXAS**  
**ROCKWALL, TEXAS**

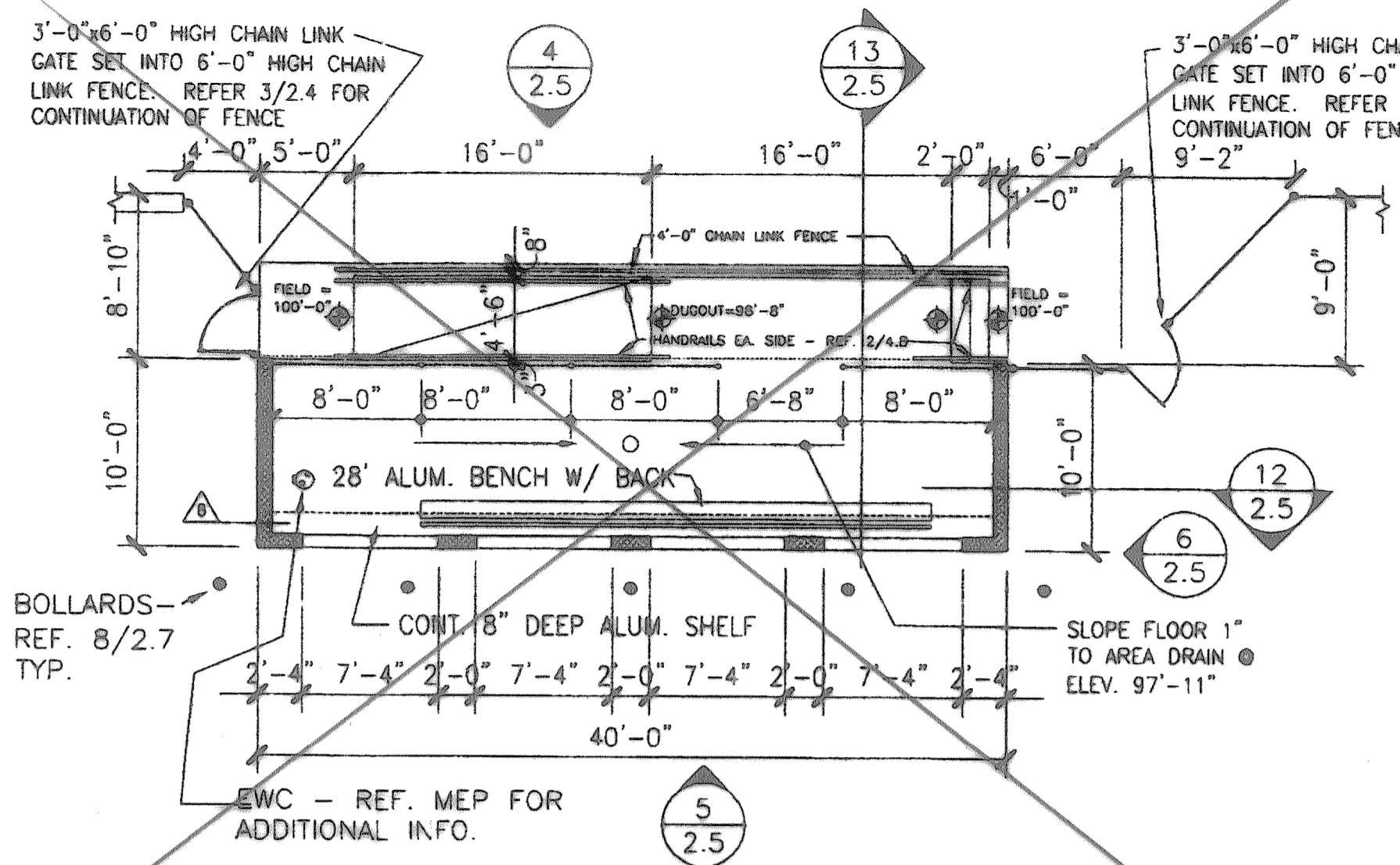
FINAL PLANS FOR BIDDING AND CONSTRUCTION



**SHW Group Inc.**  
 Architects + Engineers

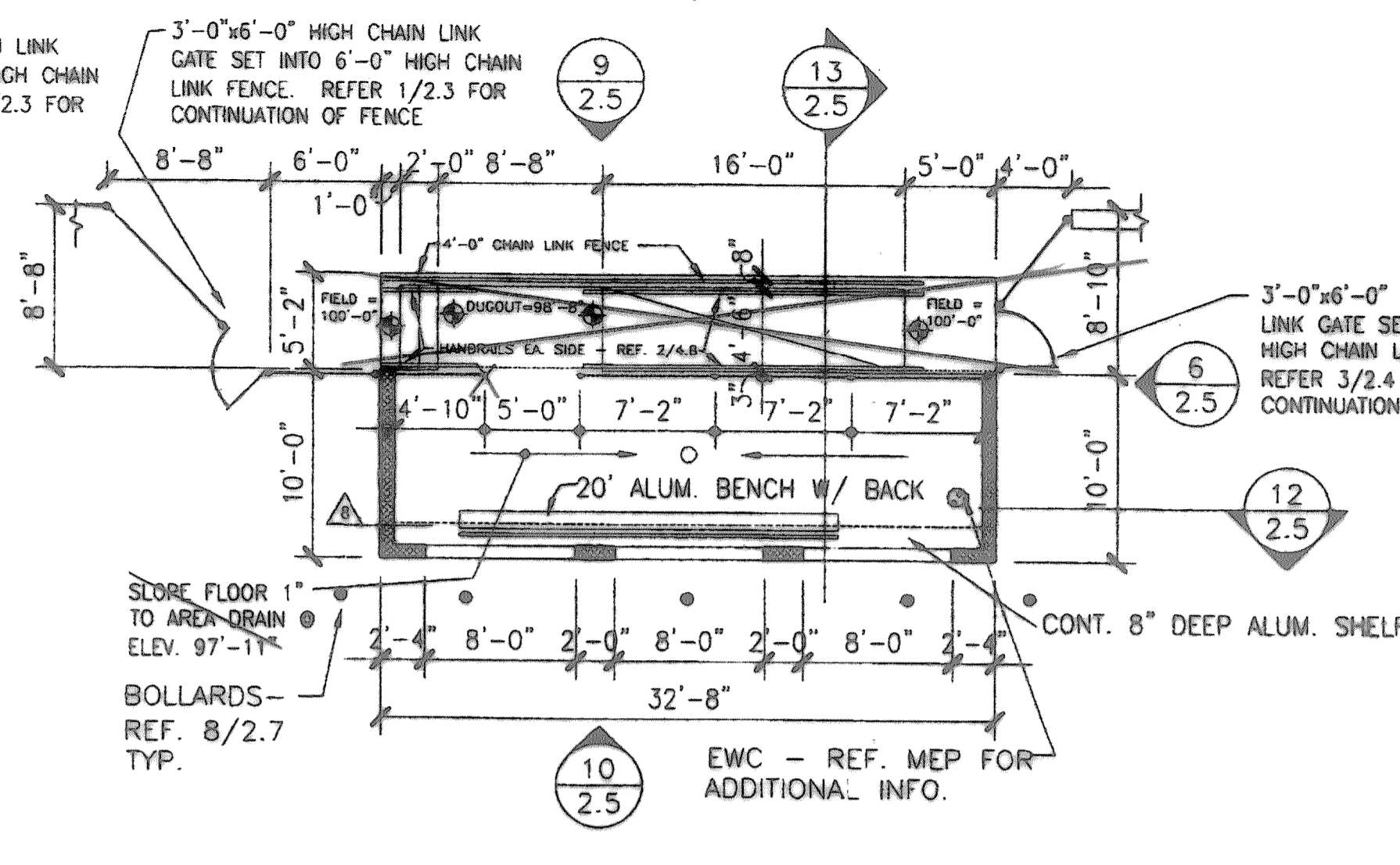
SHEET NUMBER **C 2.5**  
 OF 29

SET NUMBER



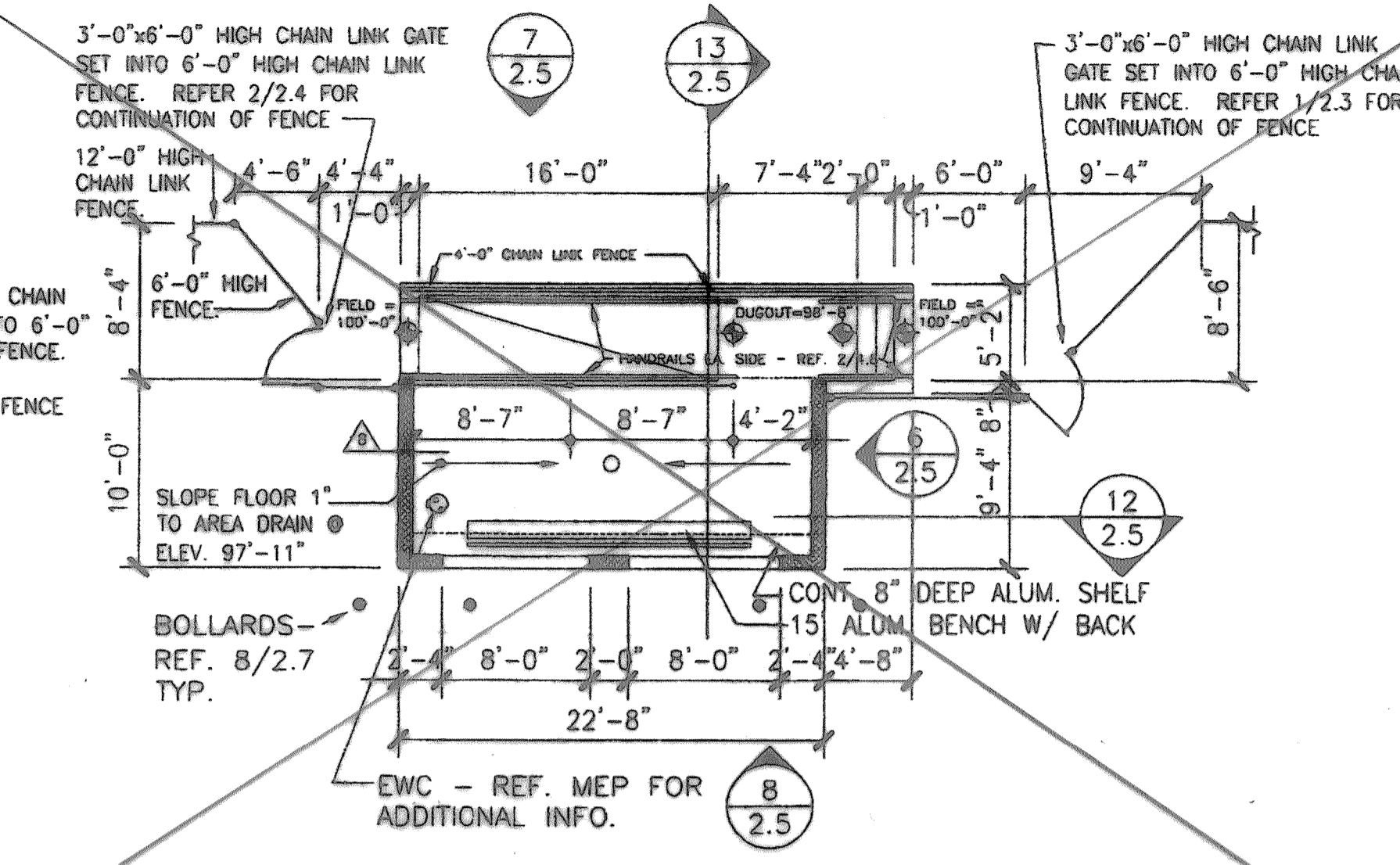
**HOME-SIDE BASEBALL DUGOUT**

1/8" = 1'-0" REF. SHT 2.4 FOR WALL TYPES



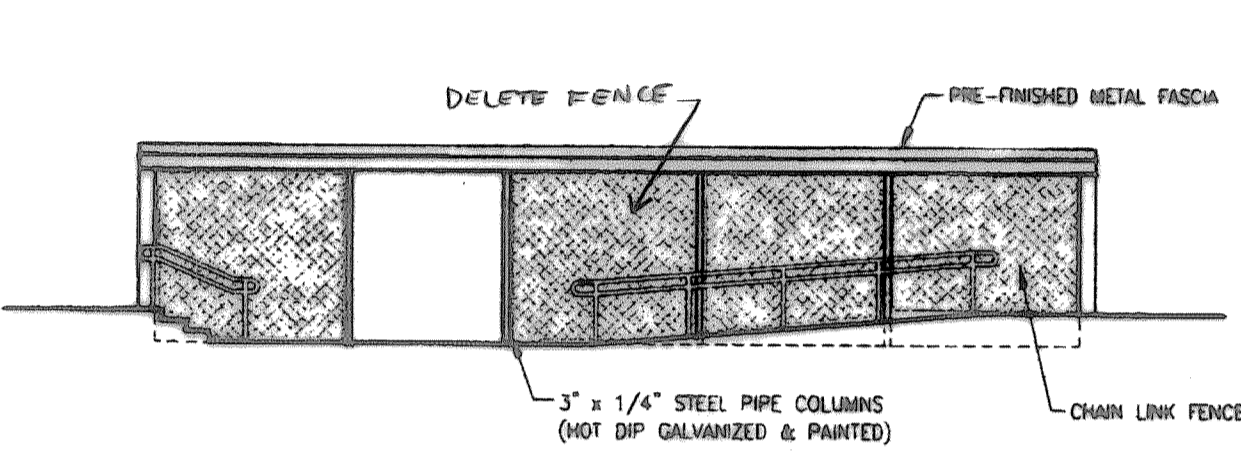
**VISITORS BASEBALL DUGOUT (ALL DUGOUTS)**

1/8" = 1'-0" REF. SHT 2.4 FOR WALL TYPES



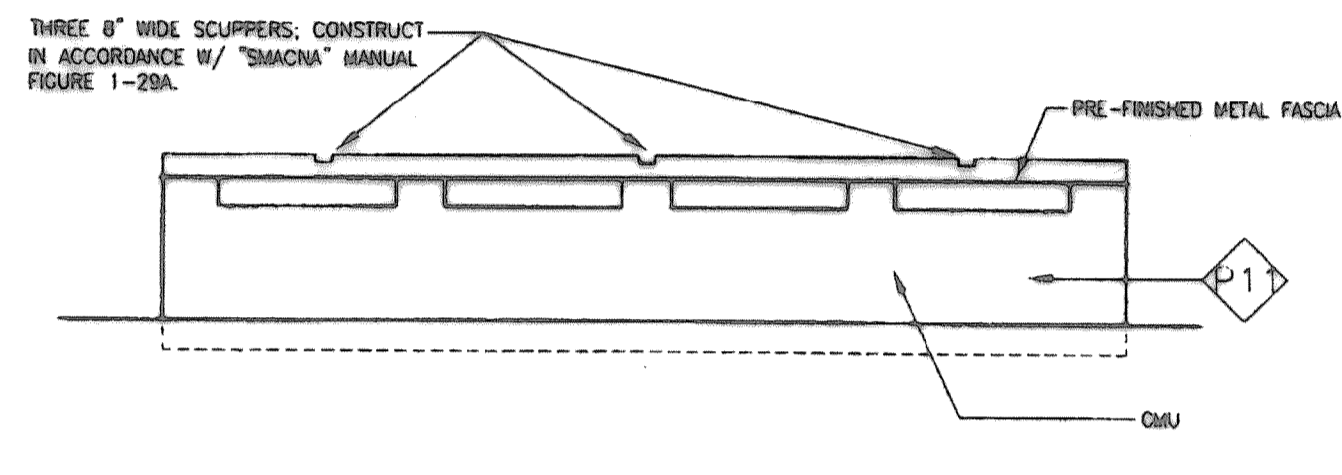
**SOFTBALL DUGOUT**

1/8" = 1'-0" REF. SHT 2.4 FOR WALL TYPES



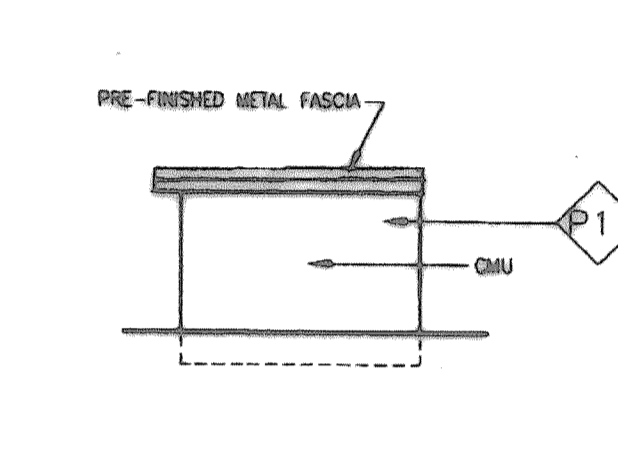
**ELEVATION**

1/8" = 1'-0"



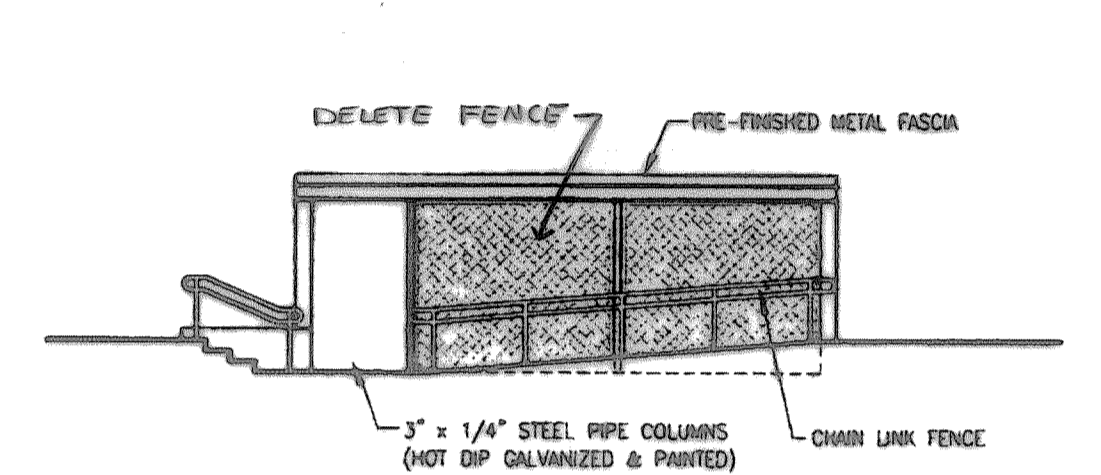
**ELEVATION**

1/8" = 1'-0"



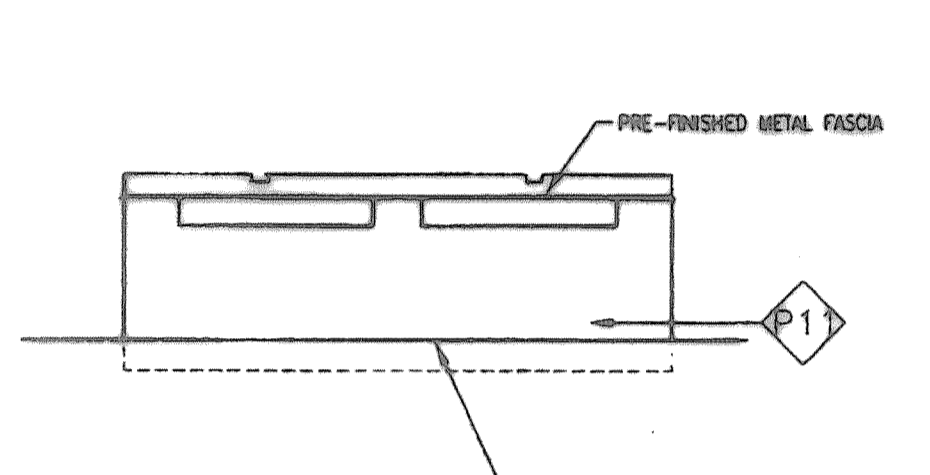
**ELEVATION**

1/8" = 1'-0"



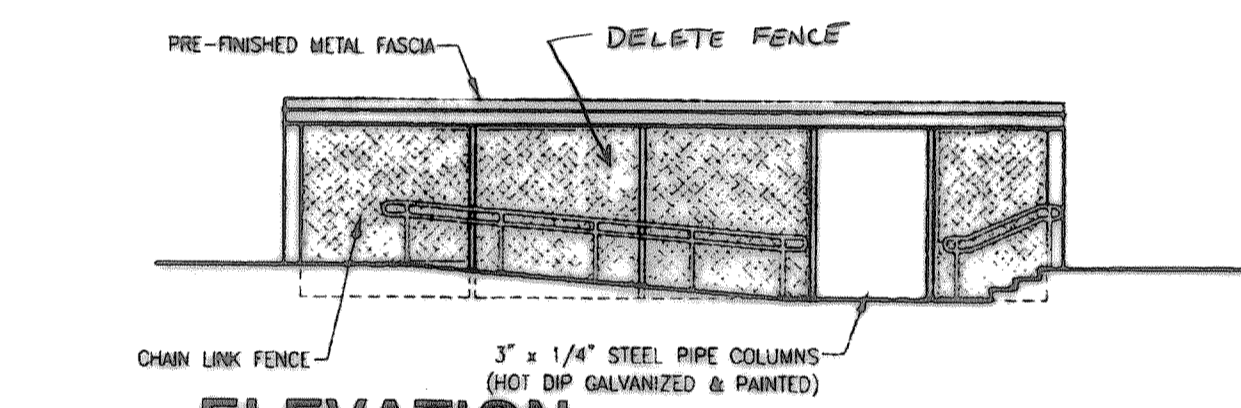
**ELEVATION**

1/8" = 1'-0"



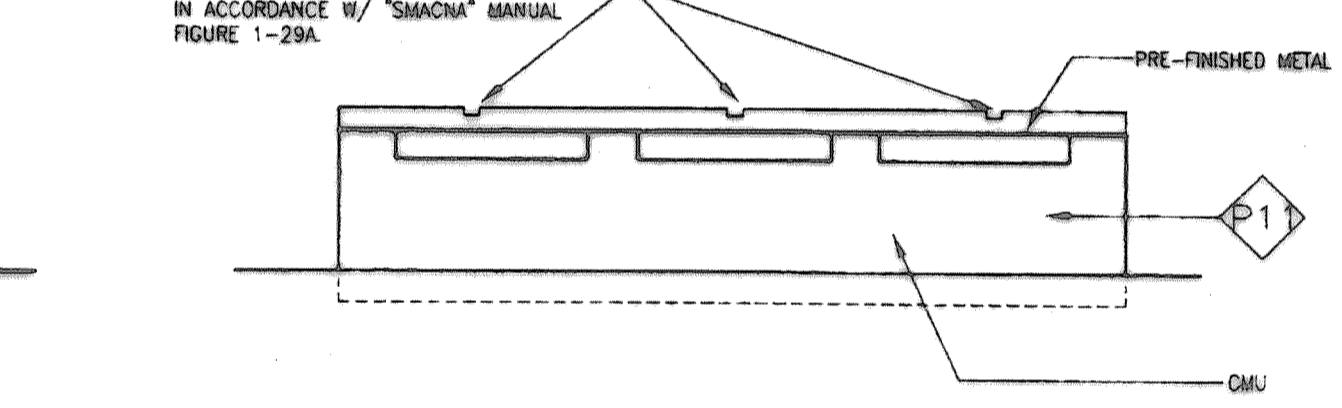
**ELEVATION**

1/8" = 1'-0"



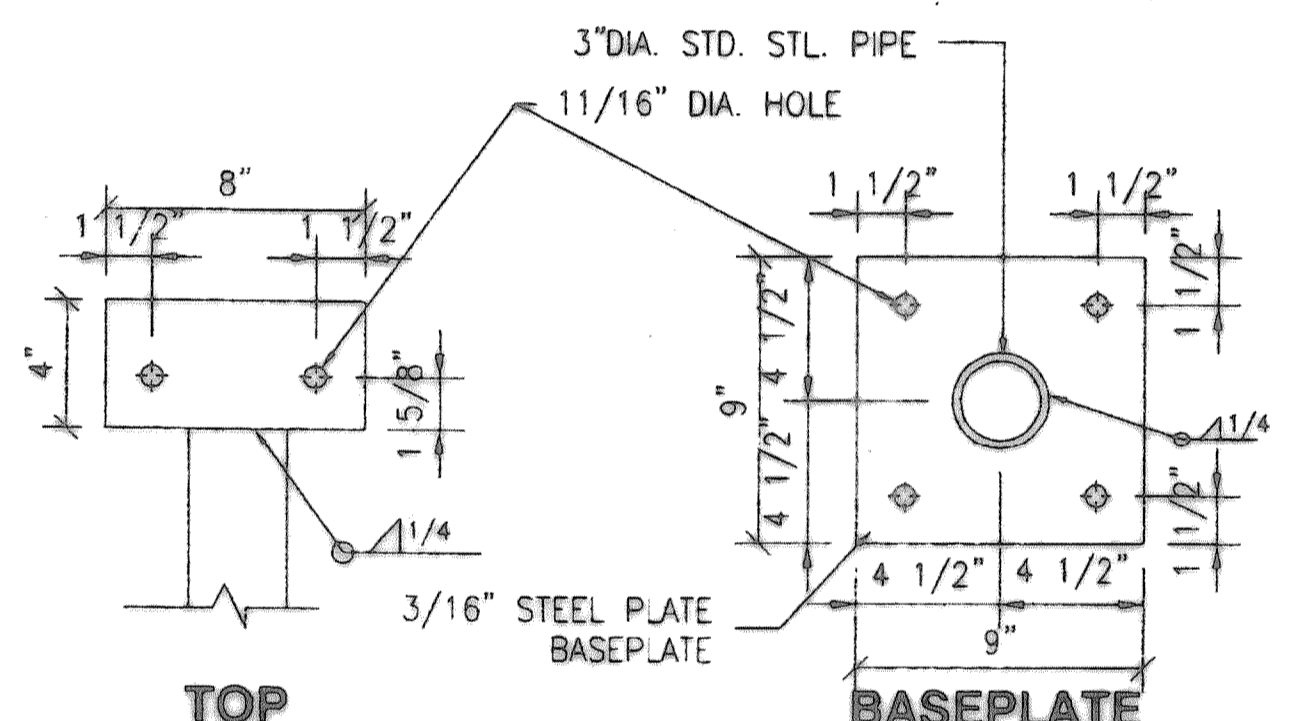
**ELEVATION**

1/8" = 1'-0"



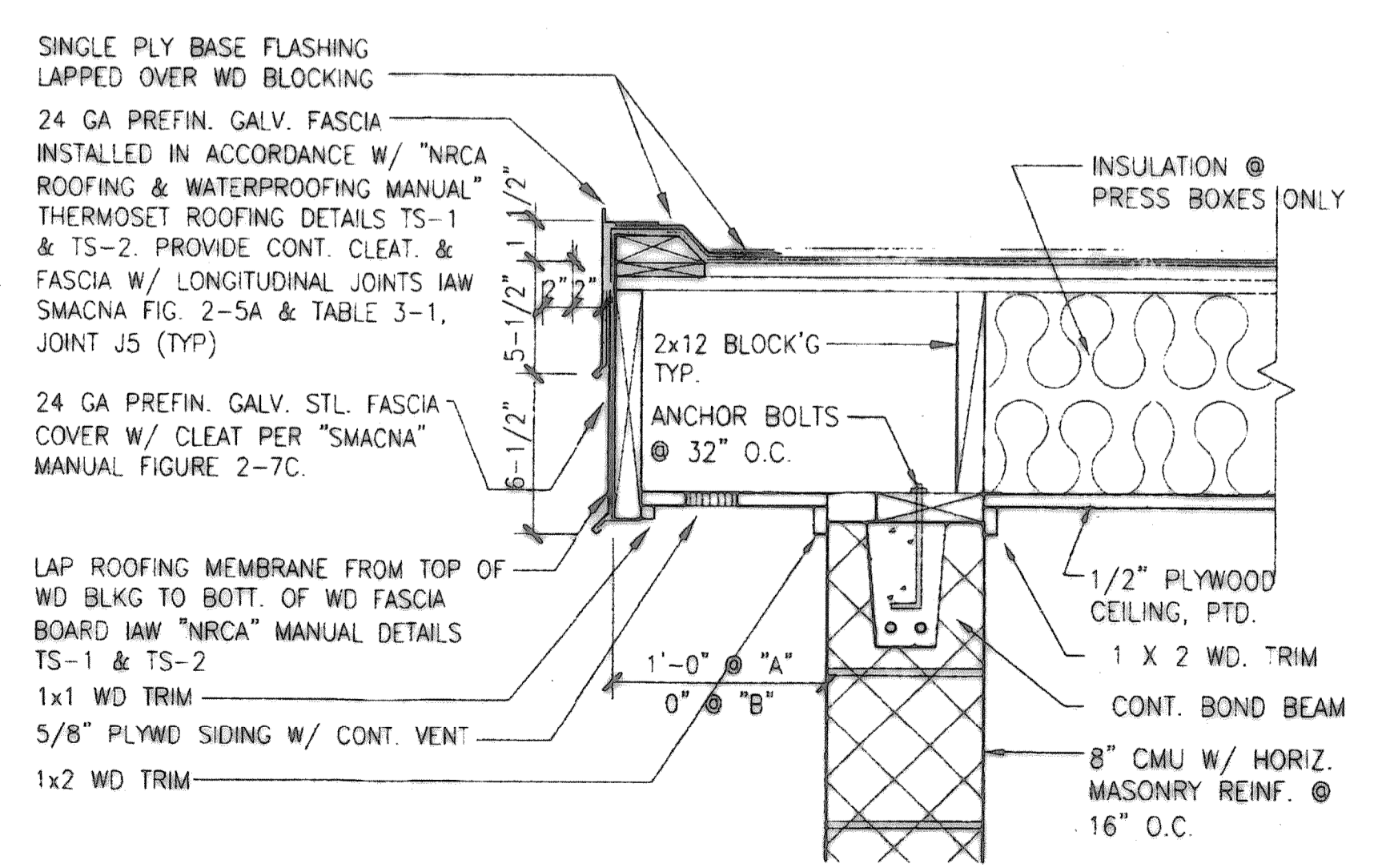
**ELEVATION**

1/8" = 1'-0"



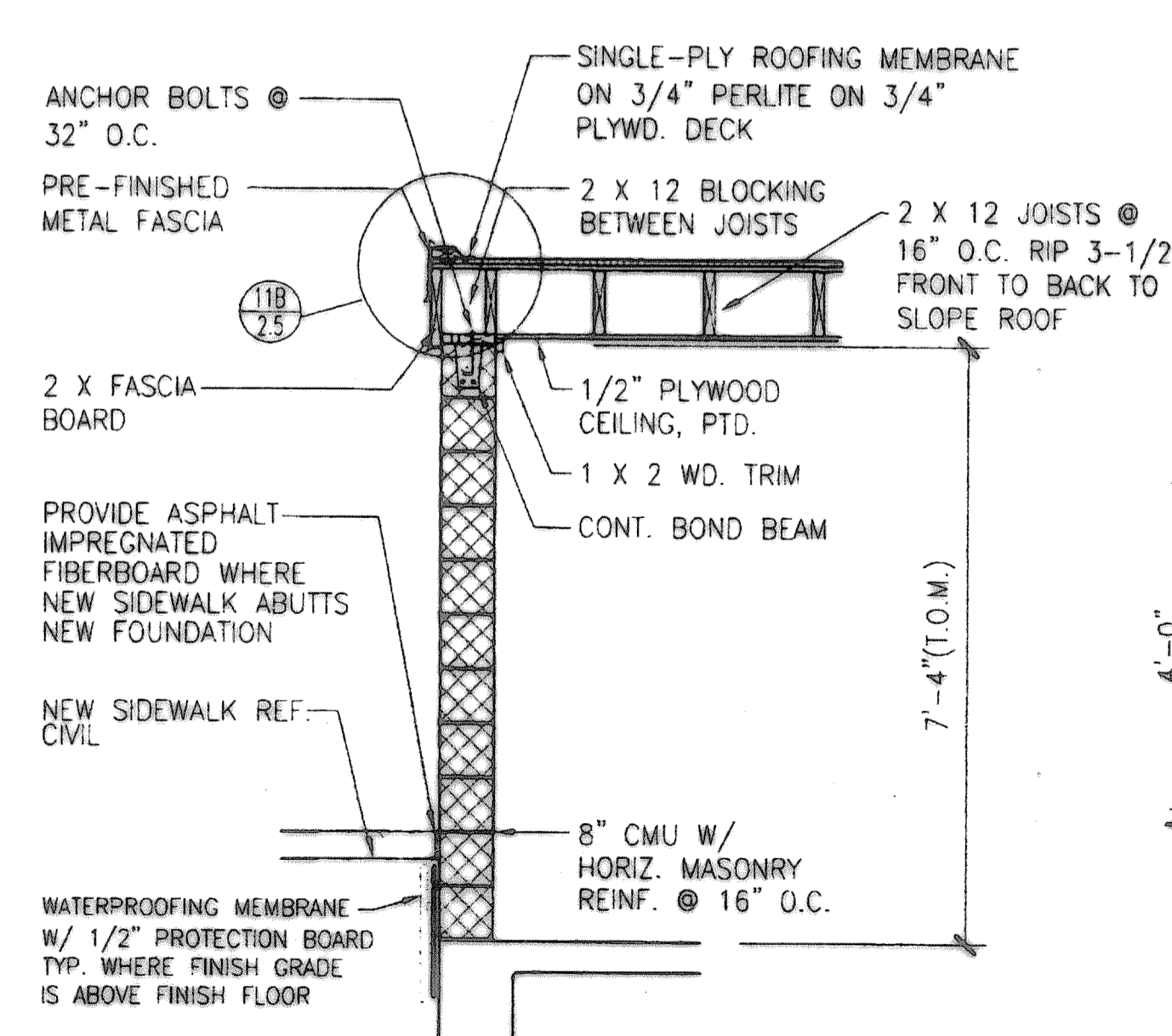
**TOP ELEVATION**

1/8" = 1'-0"



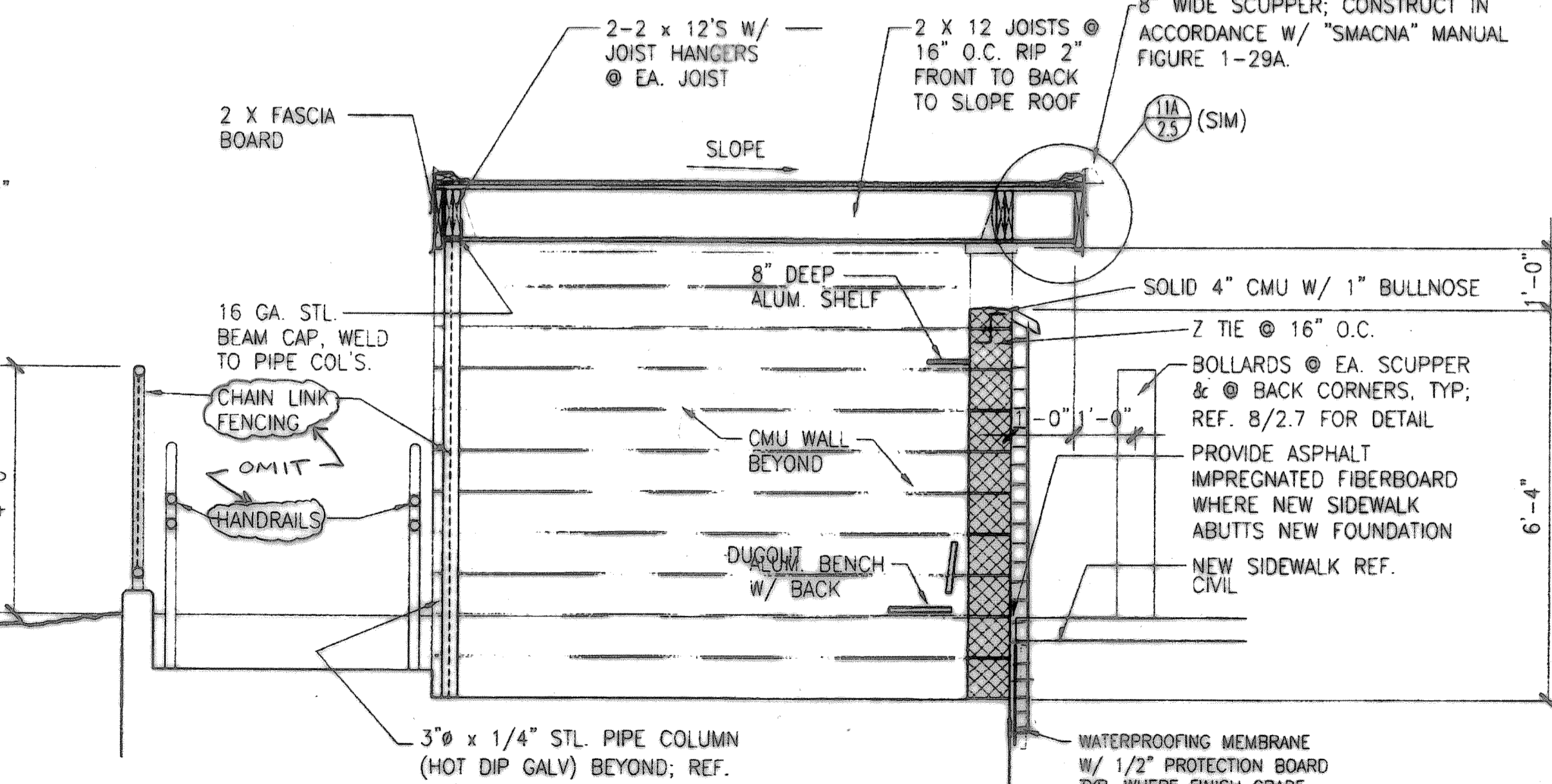
**ROOF DETAIL**

1/8" = 1'-0"



**WALL SECTION**

1/8" = 1'-0"



**DUGOUT SECTION**

1/8" = 1'-0"

RHS2\_5.dwg 9-1-98 10:26:25 am CDT