

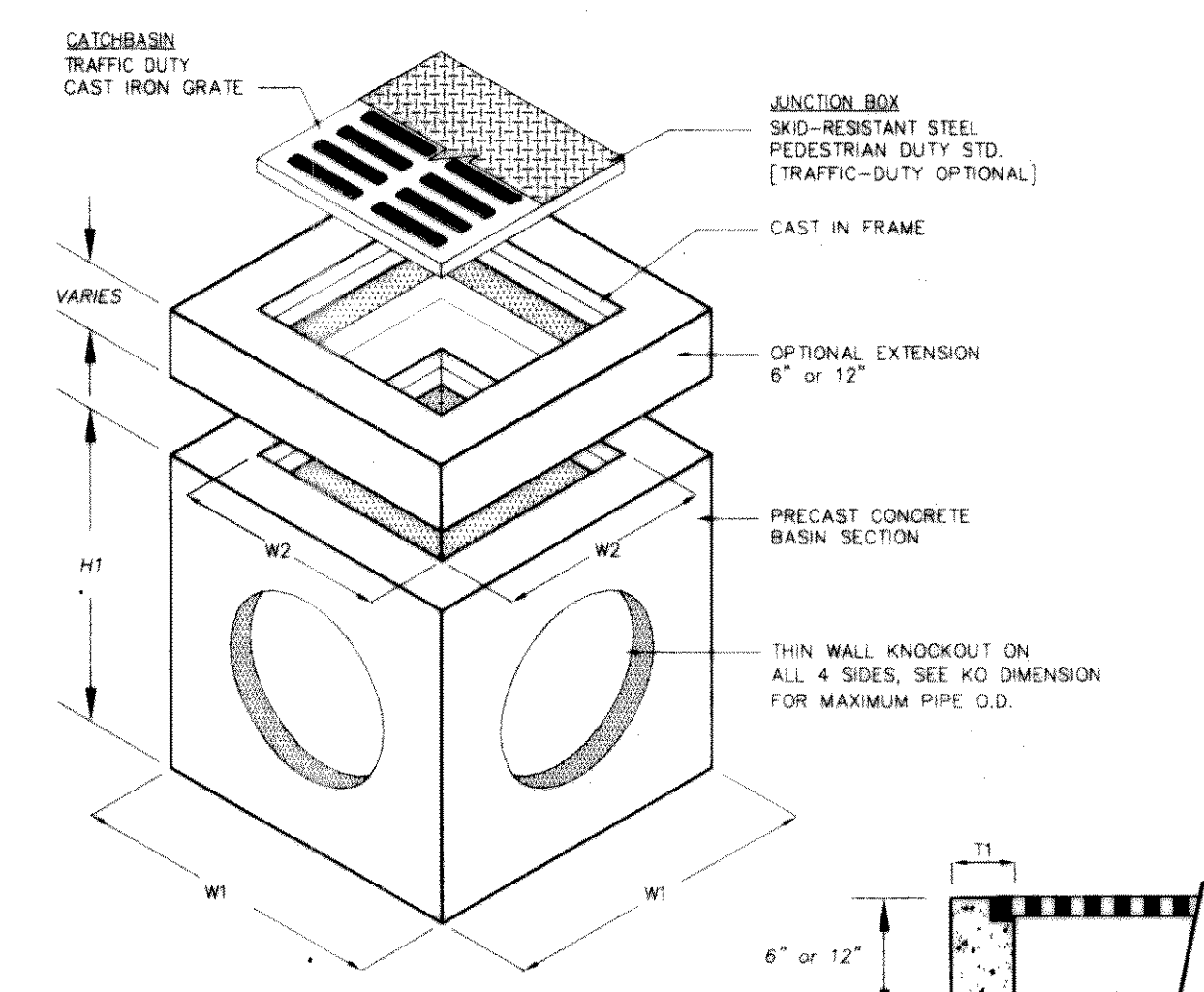
1

2

3

4

5

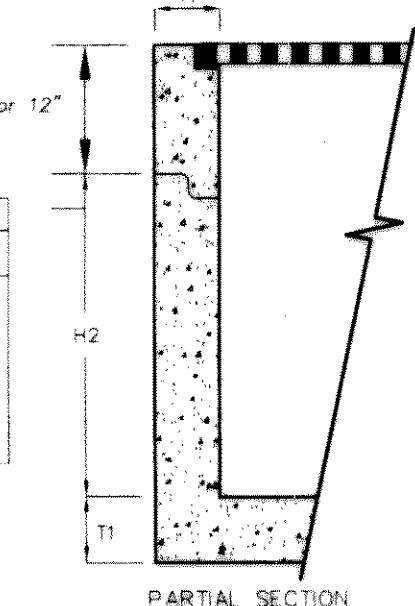


MODEL #	CATCH BASIN	JUNCTION BOX	DIMENSIONS						GRADE SIZE	WEIGHT LBS
			W1	W2	H1	H2	T1	KO		
CB12	JB12		15"	12"	21"	18"	2"	10"	12"x12"x1"	180
CB18	JB18		24"	18"	34"	30"	4"	15"	18"x18"x1"	1,000
CB24	JB24		36"	18"	34"	30"	4"	17"	24"x24"x1"	1,330
CB24	JB24		36"	22"	41"	36"	5"	22"	24"x24"x2"	2,245
CB27	JB27		37"	26"	42"	36"	6"	24"	27"x27"x2"	2,875
CB30	JB30		42"	30"	47"	36"	6"	30"	30"x30"x2"	3,875
CB36	JB36		48"	36"	54"	48"	8"	32"	36"x36"x2"	4,585

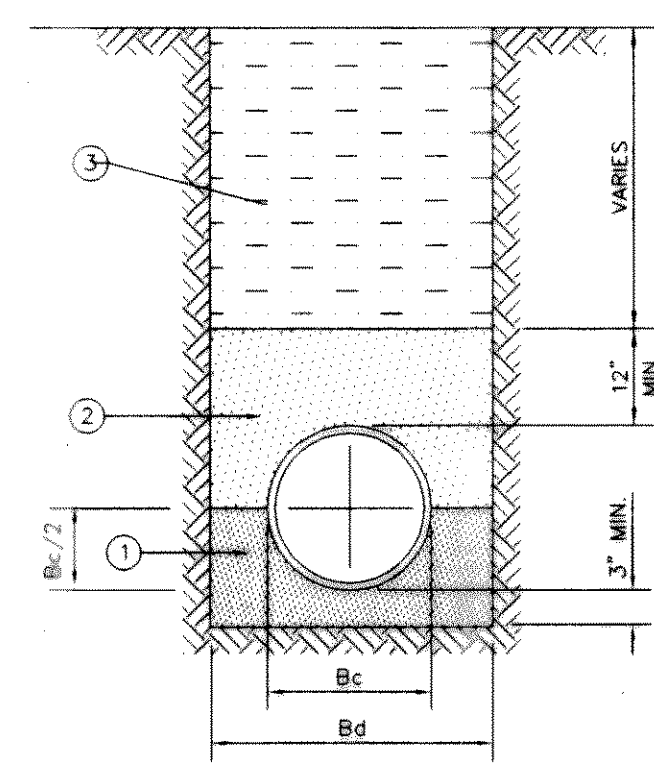
1. CB12 CATCHBASIN IS RATED FOR PEDESTRIAN LOADING. ALL OTHERS ARE TRAFFIC DUTY.  
 2. ALL JUNCTION BOXES SHALL BE STANDARD TRAFFIC DUTY.

**PRECAST CONCRETE CATCHBASIN / JUNCTION BOX 18" THRU 36"**  
 NOT TO SCALE

**SPECIFICATIONS**  
**CONCRETE:** Class 1 concrete with a design strength of 4500 PSI at 28 days. Unit is of monolithic construction of floor and first stage of wall with sectional rise to required depth.  
**REINFORCEMENT:** Grade 60 reinforced. Steel rebar conforming to ASTM A615 on required centers or equal.  
**C.I. CASTINGS:** Cast iron frames and grates are manufactured of grey cast iron conforming to ASTM A48-76 Class 30.



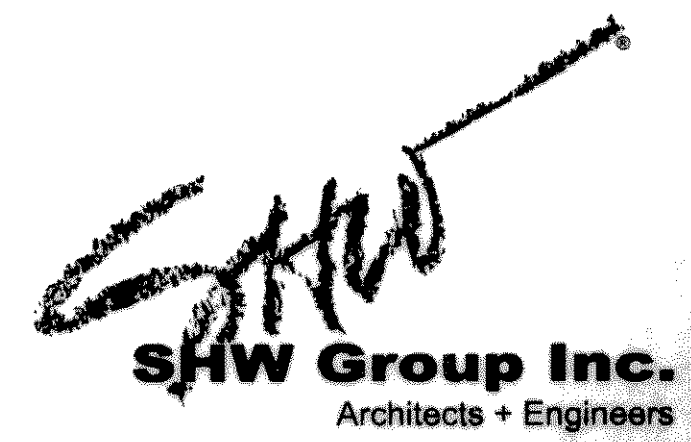
**ALL AREA DRAINS SHALL BE CB24 (24" X24")**



- ① FINE GRADATION CRUSHED STONE - TOP LAYER IS TO BE PLACED TO GRADE TO PROVIDE UNIFORM SUPPORT OF PIPE BARREL EXCAVATE BELL HOLES.
- ② SELECT MATERIAL FREE OF ROCKS, CLUMPS OR DEBRIS LARGER THAN 6" IN GREATEST DIMENSION. COMPACT TO 90% STANDARD PROCTOR DENSITY. UNDER STRUCTURES, ROADWAYS AND PAVEMENT, USE NON-GRANULAR MATERIAL COMPACTED TO 95% STANDARD PROCTOR DENSITY. (NO SAND PERMITTED ABOVE STONE.)
- ③ SELECT MATERIAL FREE OF ROCKS, CLUMPS OR DEBRIS LARGER THAN 8" IN GREATEST DIMENSION. COMPACT TO 90% STANDARD PROCTOR DENSITY. UNDER STRUCTURES, ROADWAYS AND PAVEMENT, COMPACT TO 95% STANDARD PROCTOR DENSITY.

**CLASS "B+" EMBEDMENT**  
 NOT TO SCALE  
 ROOF DRAIN LINES AND STORM SEWER LINES

These Drawings have been modified to conform to the Construction Records.  
 Glenn Engineering Corporation  
 By *Chimif* Date: 1-21-04



**Consultants:**  
**CIVIL:**  
 Glenn Engineering  
**STRUCTURAL:**  
 SHW GROUP, INC.  
**MEP:**  
 Estes, McClure and Assoc., Inc  
**FOOD SERVICE:**  
 Hg Rice and Company, Inc  
**LANDSCAPING:**

Final Plans for Bidding and Construction



**PHASE TWO**  
**Administration Facility**  
**Williams MS**  
**Conversion**  
**Rockwall Independent**  
**School District**

Project Number: 1441.02.109  
 Drawing Date: 05/15/03  
 Drawn: R.HOWMAN  
 Checked: RAH  
 Scale: 1"=30'  
 ACAD File: WILLIAMS-NEW.dwg  
 © 2003 SHW Group, Inc.

**Revisions:**

NO.	DATE	DESCRIPTION
1	--/--	

Sheet Title:  
**STORM**  
**DETAILS**

**C2.12**

May 15, 2003 - 12:30pm User: Rick  
 \\ROBERT-NT\Drive\ROCKISD\WILLIAMS\2003 ADDITIONS\WORKING\WILLIAMS-NEW.dwg