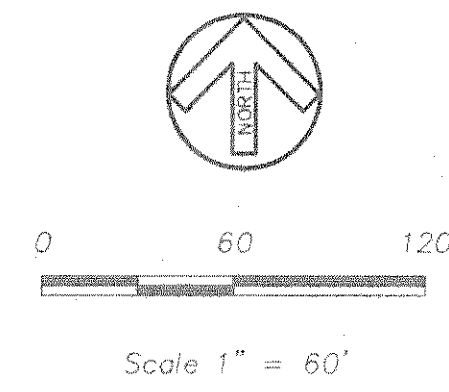
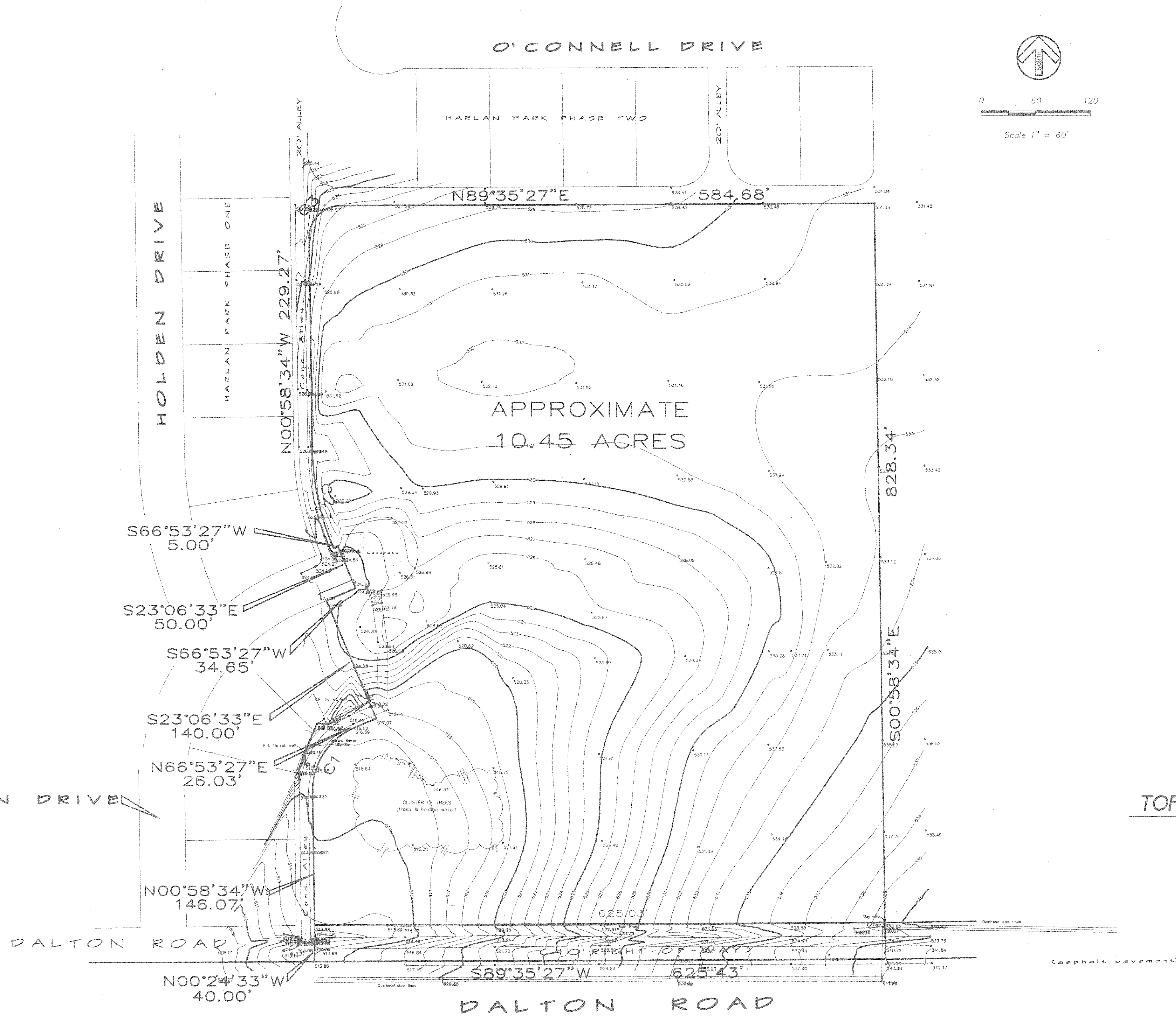


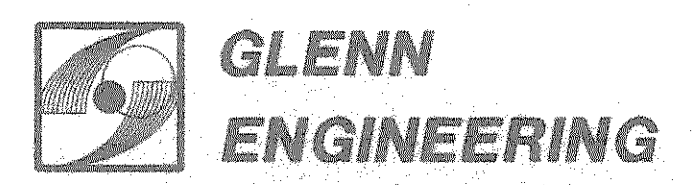
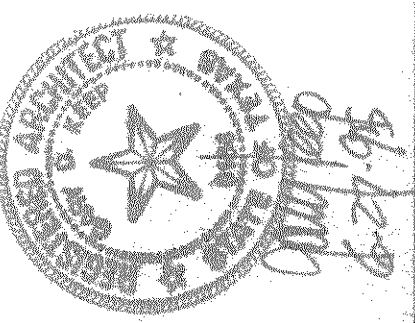
**NEBBIE WILLIAMS ELEMENTARY SCHOOL
 ROCKWALL INDEPENDENT SCHOOL DISTRICT
 ROCKWALL,
 TEXAS**



TOPOGRAPHIC SURVEY

CURVE	LENGTH	DELTA	RADIUS	DIRECTION	CHORD
C1	88.84'	67°52'01"	75.00'	N32°57'26"E	83.73'
C2	113.96'	22°07'59"	295.00'	N12°02'34"W	113.25'
C3	55.32'	90°34'01"	35.00'	N44°18'27"E	49.74'

BENCHMARK:
 FLOW LINE OF THE UPSTREAM END OF THE 18" RCP
 RUNNING UNDER THE ALLEY AT THE SOUTHWEST
 CORNER OF THIS TRACT.
 ELEVATION: 511.50



PHONE 214-717-5181 FAX 214-717-4229
 100 DECKER COURT - SUITE 200 IRVING, TEXAS 75038

SHEET NUMBER: C
 OF 13: 2.1
 SET NUMBER